

PB13300G

GENERAC

13.3 GAS

REPAIR PARTS MANUAL

P.O. BOX 8- WAUKESHA WI. 53187

PHONE: (414) 544- 4811 / FAX : (414) 544-0179

PRINTED IN U.S.A.

ISSUED: 01/05/96

TABLE OF CONTENTS

ENGINE SERVICE RECOMMENDATIONS	2
GASKET SET / QUICK REFERENCE GUIDE	3
ENGINE ASSEMBLY	4-5
CYLINDER BLOCK (MAIN MOVING PARTS)	6-7
CAMSHAFT AND IDLER GEAR ASSEMBLY	8
VALVE SYSTEM	9
CYLINDER HEAD AND RELATED PARTS	10-11
LUBRICATING SYSTEM	12-13
OIL PUMP ASSEMBLY	14
OIL FILTER RELATED (CANISTERS)	15
OIL FILTER RELATED (ELEMENTS AND MOUNTING)	16
OIL COOLER ASSEMBLY	17
COOLANT PUMP ASSEMBLY AND RELATED PARTS	18
INTAKE AND EXHAUST MANIFOLD ASSEMBLIES	19
TIMING GEAR COVER AND FLYWHEEL HOUSING	20-21
ENGINE ACCESSORIES (STARTER SIDE)	22-23
ENGINE ACCESSORIES (EXHAUST SIDE)	24-25
ENGINE COOLING SYSTEM AND RELATED PARTS	26-27
ELECTRICAL RELATED PARTS	28-29
NATURAL GAS CARBURETOR AND RELATED PARTS	30-31
LPG LIQUID CARBURETOR AND RELATED PARTS	32-34
NATURAL GAS TURBOCHARGER / CARBURETOR ASSEMBLY	35-36

LEGEND

"AR" AS REQUIRED Per Application.

"O.S." OVERSIZE

"U.S." UNDERSIZE

(STD) STANDARD SIZE

ENGINE SERVICE RECOMMENDATIONS

SPECIFICATIONS:

CRANKCASE OIL CAPACITY: 7.13 U.S. GALLONS
COOLING SYSTEM CAPACITY: 7.7 U.S. GALLONS
RADIATOR: 2.1 U.S. GALLONS

RECOMMENDED FLUIDS:

RECOMMENDED COOLANT:

USE A 50/50 MIXTURE OF LOW SILICATE ETHYLENE GLYCOL BASE ANTI-FREEZE AND SOFT WATER. (IF DESIRED, A HIGH QUALITY RUST INHIBITOR MAY BE ADDED TO THE RECOMMENDED COOLANT MIXTURE.) WHEN ADDING COOLANT, ALWAYS ADD THE RECOMMENDED 50/50 MIXTURE.

RECOMMENDED ENGINE OIL:

USE A HIGH QUALITY DETERGENT OIL CLASSIFIED *FOR SERVICE SC, SD, SE, OR SF.* DETERGENT OILS KEEP THE ENGINE CLEANER AND REDUCE CARBON DEPOSITS. USE OIL HAVING THE FOLLOWING SAE VISCOSITY RATING BASED ON THE AMBIENT TEMPERATURE RANGE ANTICIPATED BEFORE THE NEXT OIL CHANGE.

TEMPERATURE	RECOMMENDED OIL GRADE
Above 86 deg F	SAE 40
32 Thru 86 deg F	SAE 30
Below 32 deg F	SAE 20W
All Seasons	SAE 10W-30

PERIODIC ENGINE MAINTINANCE SCHEDULE:

AFTER FIRST 30 HOURS OF OPERATION

CHANGE ENGINE CRANKCASE OIL.

EVERY SIX MONTHS

CHANGE ENGINE OIL AND FILTER
LUBRICATE ENGINE CONTROLS
SERVICE ENGINE AIR FILTER
SERVICE ENGINE FUEL FILTER
INSPECT FAN BELTS
CHECK ENGINE COOLANT LEVEL
INSPECT ENGINE COOLING SYSTEM HOSES

EVERY TWO YEARS

REPLACE ALL RUBBER HOSES
REPLACE ENGINE FAN BELTS
DRAIN, FLUSH, AND REFILL COOLING SYSTEM

GASKET SET # 100-84761G (GASIFIED ENGINE ONLY)

DESCRIPTION	GENERAC#	QTY
CYLINDER LINER GASKET (UPPER)	159-59089	6
CYLINDER LINER GASKET (LOWER)	113-84761	6
OIL OUTLET GASKET	118-84761	1
O-RING (DIPSTICK)	127-84761	1
O-RING (CAMSHAFT COVER PLATE REAR)	128-84761	1
FRONT END PLATE GASKET	135-84761	1
TIMING GEAR CASE COVER GASKET	136-84761	1
O-RING (FOR TOP FLANGE)	142-84761	1
REAR MAIN OIL SEAL (CRANKSHAFT)	251-59089	1
OIL SEAL, (FRONT TIMING CASE COVER)	252-59089	1
O-RING	254-59089	1
O-RING	255-59089	2
CYLINDER HEAD GASKET	102-84761	2
CYLINDER HEAD COVER GASKET	118-59089	2
VALVE STEM OIL SEAL	125-59089	12
O-RING (OIL FILL CAP FLANGE TO VLV CVR)	154-59089	2
EXH MANIFOLD SUB ASSEMBLY GASKET	153-84761	6
SEAL, RING	352-59089	6
INTAKE MANIFOLD GASKET	353-59089	6
EXHAUST MANIFOLD GASKET	354-59089	6
OIL COOLER CASE GASKET	428-59089	1
OIL COOLER O-RINGS	163-84761	9
OIL PUMP TO PICK-UP O-RING	164-84761	1
OIL COOLER ELEMENT MTG. GASKET	430-59089	2
OIL COOLER ELEMENT MTG. O-RING	454-59089	2
SEAL PLATE MOUNTING O-RING	555-59089	1
CYLINDER LINER WATER PUMP GASKET	595-59089	1
THERMOSTAT GASKET	605-59089	1
COOLANT COCK ASSEMBLY O-RING	178-84761	1
MANIFOLD COOLANT GASKET	663-59089	2
PLATE COOLANT PUMP O-RING	668-59089	2
WATER PUMP O-RING	670-59089	1

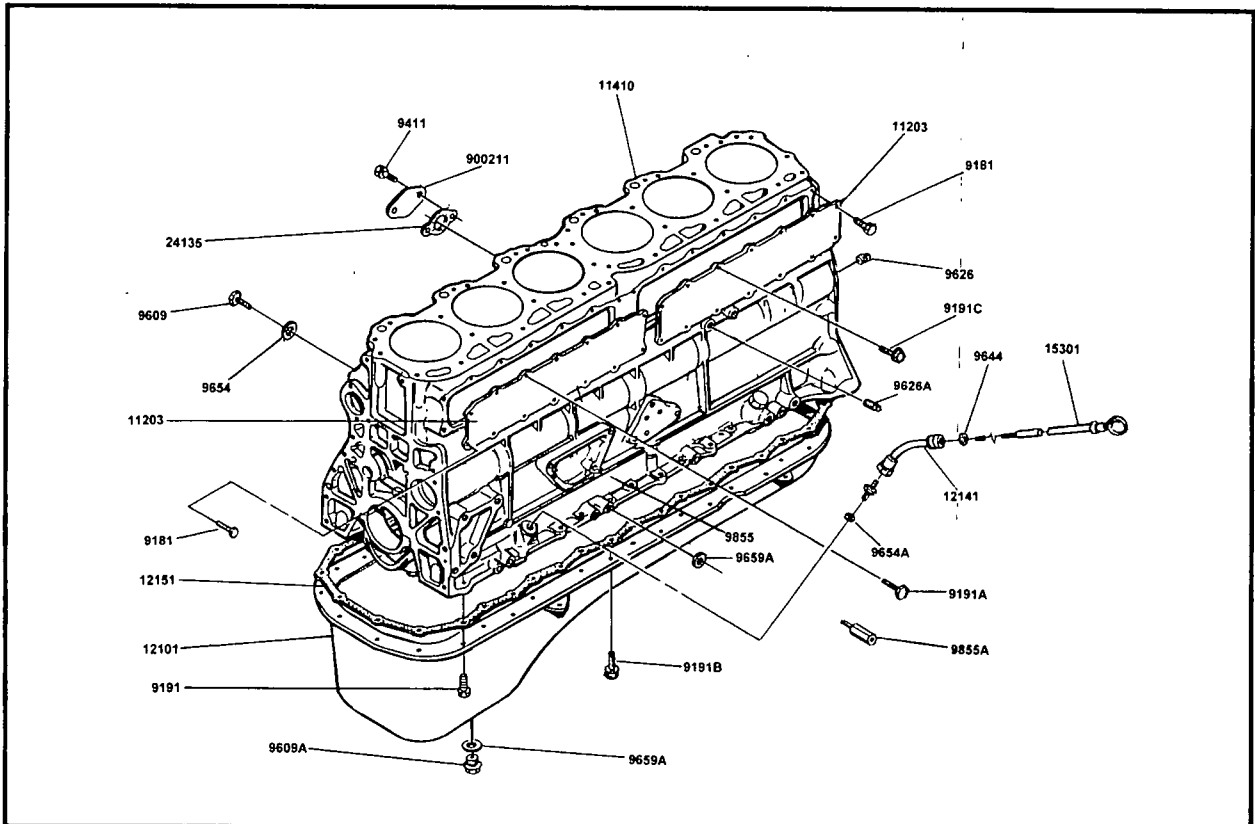
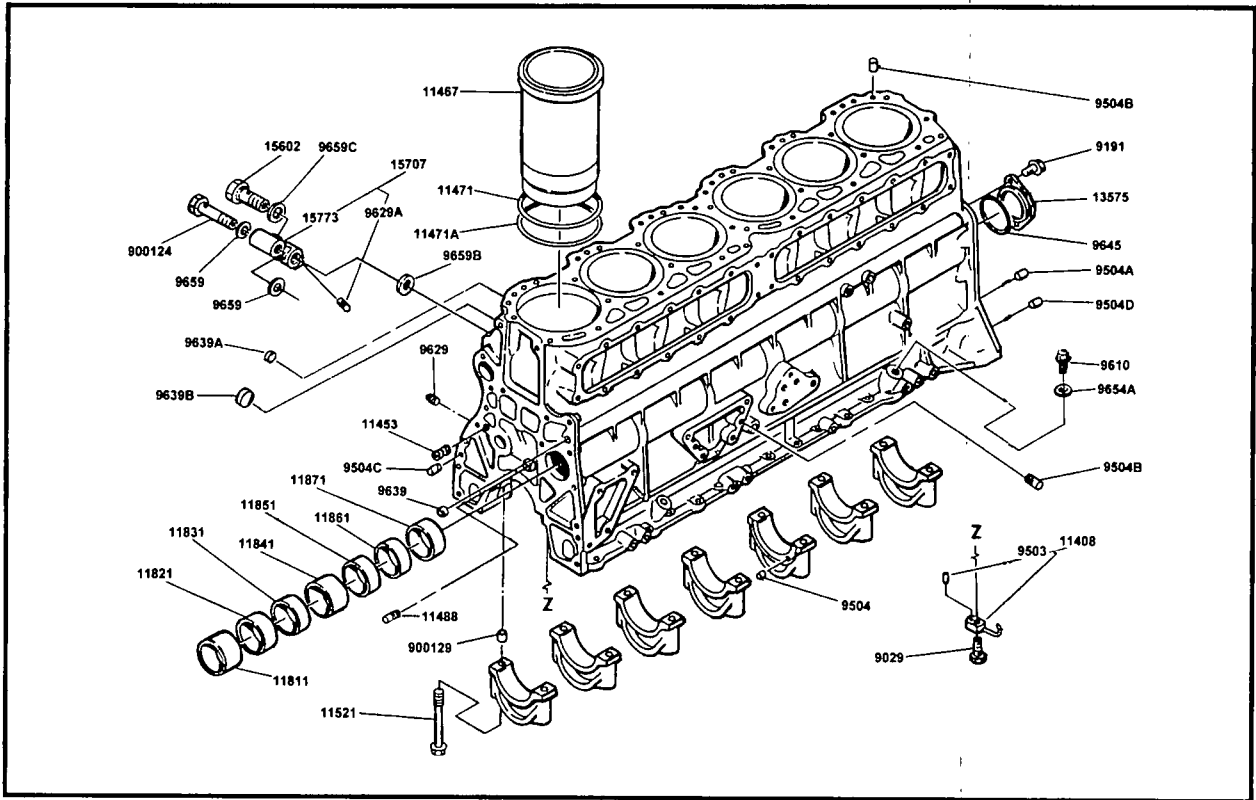
ENGINE TUNE-UP / ENGINE PARTS

OIL FILTER EMELENT (SMALL)	101-59089
OIL FILTER ELEMENT (LARGE)	102-59089
AIR FILTER ELEMENT	84288
SPARK PLUGS	74750
CDI IGNITION CONTROLLER	84206A
IGNITION COIL	84206B
MAGNETIC PICK UP (IGNITION)	84206C
IGNITION WIRE ASSEMBLY	84261
V-BELT SET	625-59089
PISTON (STD)	144-84761
PIN, PISTON (STD)	145-84761
RETAINING RING (PISTON PIN)	308-59089
PISTON RING SET (STD)	265-59089
REAR MAIN OIL SEAL	251-59089
CRANKSHAFT MAIN BRG SET (STD)	260-59089
ROD BEARING SET (STD)	143-84761

TORQUE SPECIFICATIONS

CYLINDER HEAD BOLTS (16mm)	196-209 ft Lbs
CYLINDER HEAD BOLTS (12mm)	58-65 ft lbs
ENGINE MOUNTS	95-105 ft lbs
EXHAUST MANIFOLD BOLTS	23-36 ft lbs
INTAKE MANIFOLD BOLTS	29-36 ft lbs
OIL PAN BOLTS	10-13 ft lbs
FAN MOUNTING BOLTS	26-28 ft lbs
COOLING FAN BOLTS	33-36 ft lbs

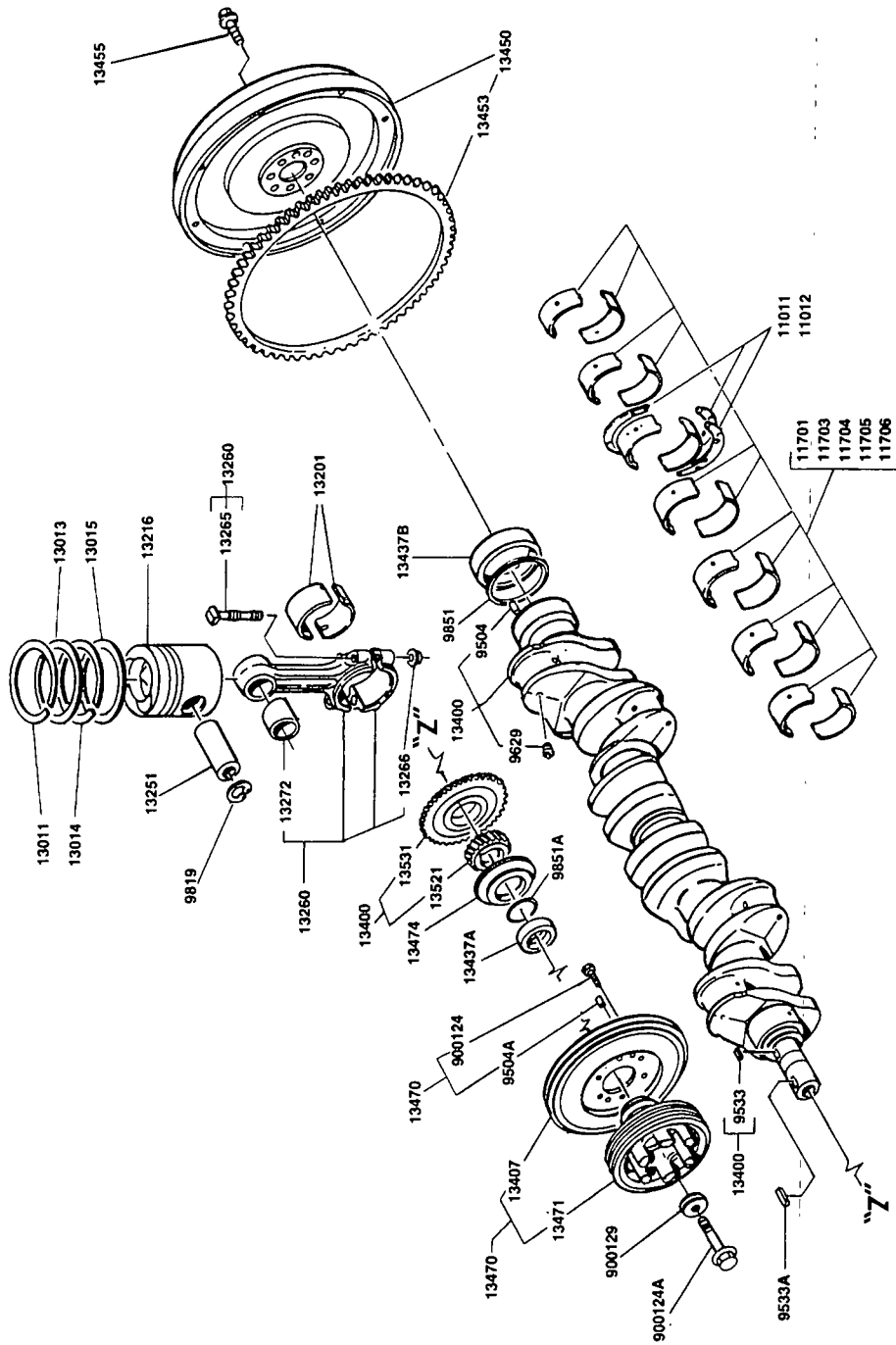
ENGINE ASSEMBLY (CYLINDER BLOCK AND RELATED PARTS)



ENGINE ASSEMBLY (CYLINDER BLOCK AND RELATED PARTS)

REFERENCE#	GENERAC#	DESCRIPTION	QTY
11203	109-84761	PUSH ROD COVER ASSEMBLY	2
11400	100-84761	SHORT BLOCK ASSEMBLY	1
11408	110-84761	PIPE SUB ASSEMBLY, OIL JET	6
11410	111-84761	BLOCK ASSEMBLY, CYLINDER	1
11453	112-84761	PLUG, MAIN HOLE	2
11467	158-59089	LINER, CYLINDER S/S	6
11471	159-59089	GASKET, CYLINDER LINER	6
11471A	113-84761	GASKET, CYLINDER LINER	6
11488	160-59089	PIPE, OIL JET	1
11521	162-59089	BOLT, BEARING CAP	28
11811	163-59089	CAM BEARING # 1	1
11821	164-59089	CAM BEARING # 2	1
11831	165-59089	CAM BEARING # 3	1
11841	166-59089	CAM BEARING # 4	1
11851	167-59089	CAM BEARING # 5	1
11861	168-59089	CAM BEARING # 6	1
11871	169-59089	CAM BEARING # 7	1
12101	114-84761	OIL PAN SUB ASSEMBLY	1
12141	171-59089	OIL LEVEL GAUGE GUIDE	1
12151	115-84761	GASKET, OIL PAN	1
13575	173-59089	PLATE, CAMSHAFT	1
15301	174-59089	OIL LEVEL GAUGE SUB ASSY.	1
15602	208-84761	OIL PRESSURE VLV SUB ASSY.	1
15707	116-84761	OIL PIPE SUB ASSEMBLY	1
15773	117-84761	PIPE, OIL	1
24135	118-84761	GASKET, OIL OUTLET	1
900124	119-84761	BOLT	1
900129	175-59089	COLLAR	14
900211	120-84761	FLANGE	1
9029	121-84761	BOLT	6
9181	122-84761	BOLT	26
9191	176-59089	BOLT	2
9191A	177-59089	BOLT	1
9191B	178-59089	BOLT	38
9191C	179-59089	BOLT	1
9411	123-84761	BOLT	2
9503	124-84761	PIN, STRAIGHT	6
9504	181-59089	PIN, STRAIGHT	4
9504A	182-59089	PIN, STRAIGHT	2
9504B	183-59089	PIN, STRAIGHT	6
9504C	184-59089	PIN, STRAIGHT	2
9504D	185-95089	PIN, STRAIGHT	2
9609	125-84761	PLUG	1
9609A	186-59089	PLUG	2
9610	187-59089	PLUG	1
9626	126-84761	PLUG	1
9626A	189-59089	PLUG	1
9629	190-59089	PLUG	1
9639	191-59089	PLUG, EXPANSION	2
9639A	192-59089	PLUG, EXPANSION	2
9639B	193-59089	PLUG, EXPANSION	3
9644	127-84761	O-RING	1
9645	128-84761	O-RING	1
9654A	195-59089	WASHER, SOFT	1
9654	194-59089	WASHER, SOFT	2
9659	129-84761	WASHER, SOFT	2
9659A	130-84761	WASHER, SOFT	2
9659B	131-84761	WASHER, SOFT	1
9659C	132-84761	WASHER, SOFT	1
9855	199-59089	PIPE JOINT	1
9855A	133-84761	PIPE JOINT	1

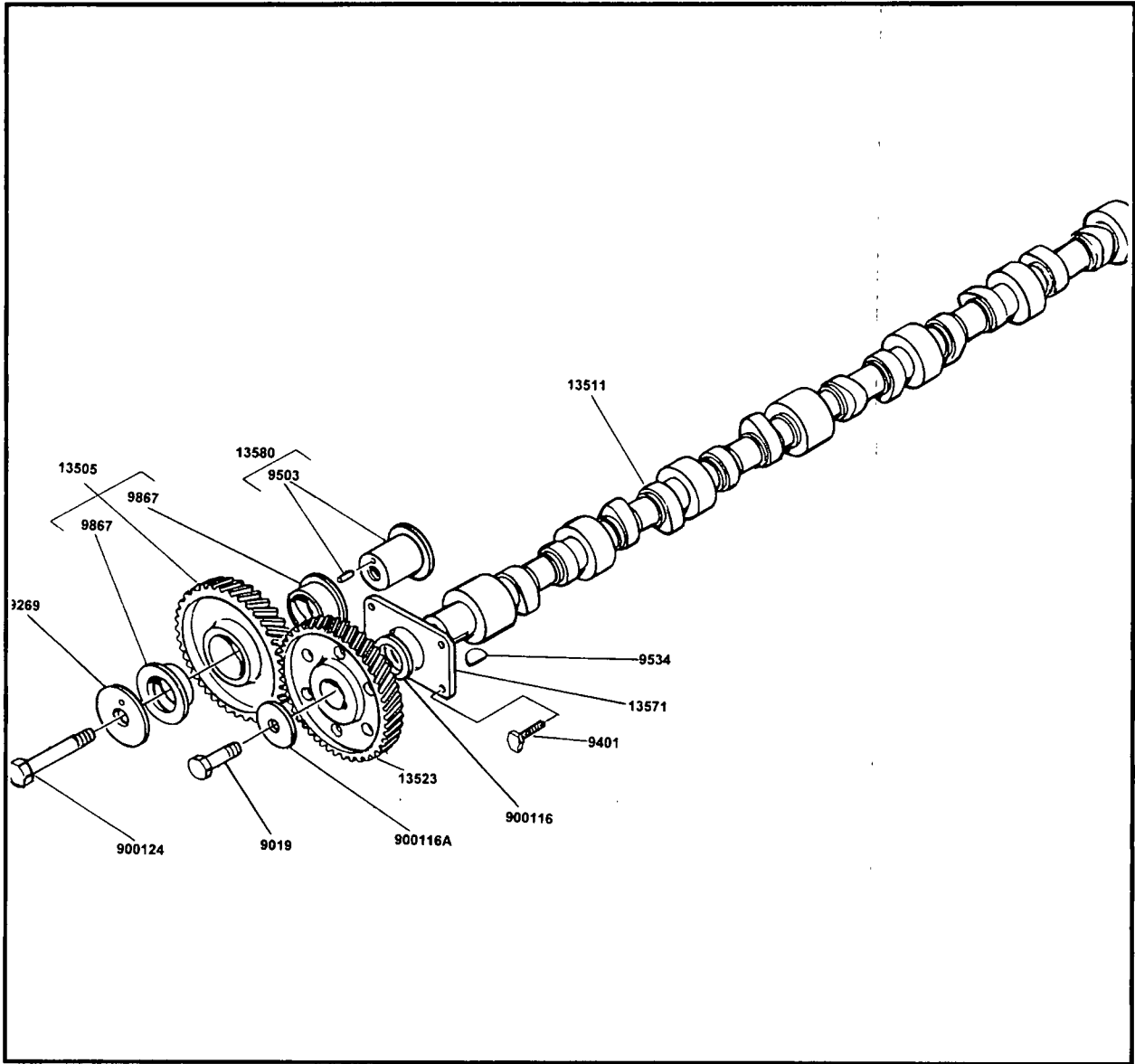
CYLINDER BLOCK (MAIN MOVING PARTS)



CYLINDER BLOCK (MAIN MOVING PARTS)

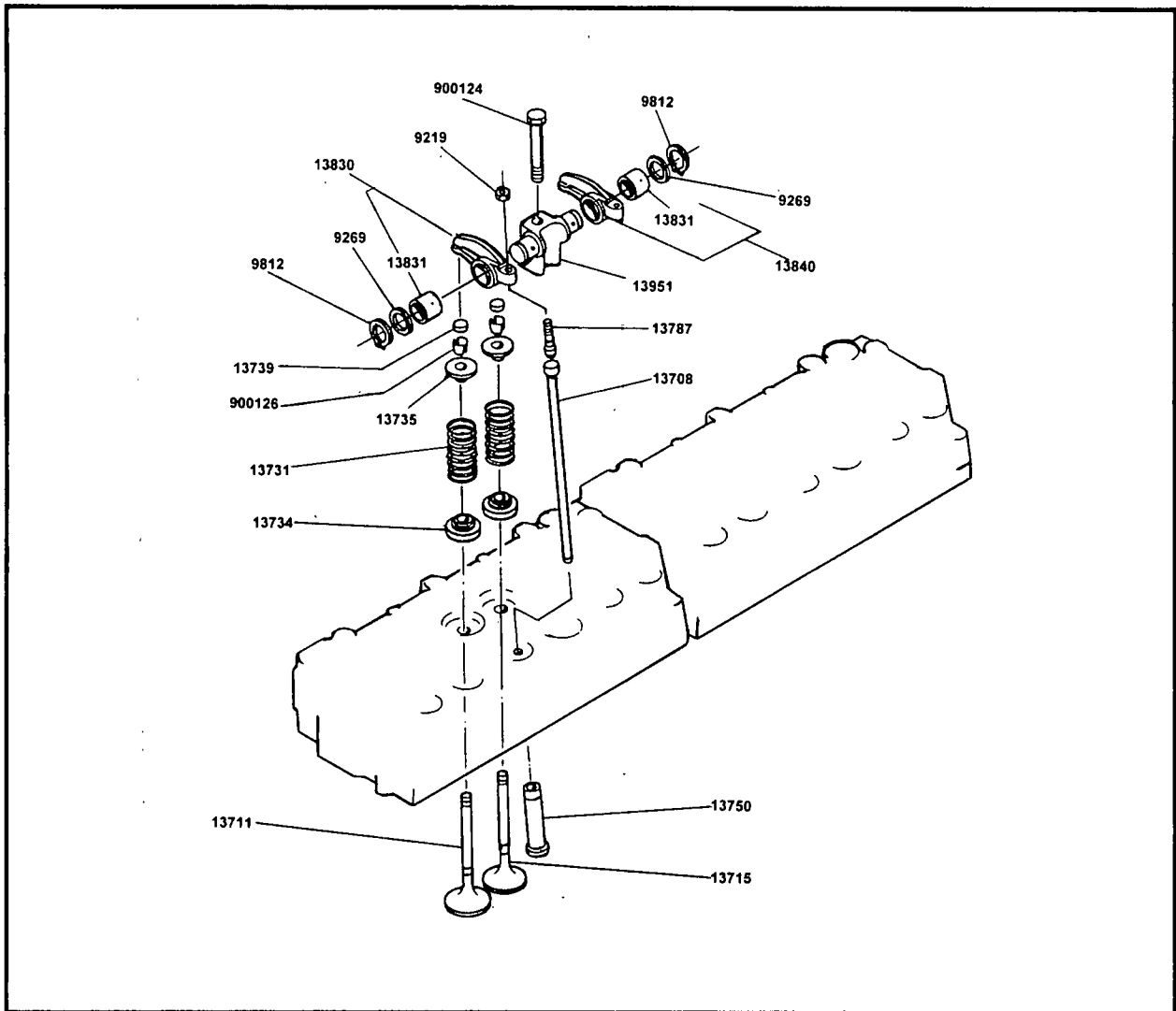
REFERENCE#	GENERAC#	DESCRIPTION	QTY
11011	258-59089	CRANK THRSTWSHER SET (STD)	1
11012	259-59089	CRANK THRST WSHR SET (0.25 O.S.)	AR
11701	260-59089	CRANKSHAFT BRG. SET (STD)	1
11703	261-59089	CRANKSHAFT BRG SET (0.25 U.S.)	AR
11704	262-59089	CRANKSHAFT BRG SET (0.50 U.S.)	AR
11705	263-59089	CRANKSHAFT BRG SET (0.75 U.S.)	AR
11706	264-59089	CRANKSHAFT BRG SET (1.00 U.S.)	AR
13011	265-59089	RING SET, PISTON (STD)	1
13013	267-59089	RING SET, PISTON (0.50 O.S.)	AR
13014	269-59089	RING SET, PISTON (0.75 O.S.)	AR
13015	271-59089	RING SET, PISTON (1.00 O.S.)	AR
13201	143-84761	CON-ROD BEARING SET (STD)	1
13216	144-84761	PISTON (STD)	6
13251	145-84761	PIN, PISTON (STD)	6
13260	146-84761	CONNECTING ROD ASSEMBLY	6
13265	147-84761	CONNECTING ROD BOLT	12
13272	148-84761	CON ROD REPAIR BUSHING (STD)	6
13400	286-59089	CRANKSHAFT ASSEMBLY	1
13407	287-59089	CRANK DAMPER SUB ASSEMBLY	1
13437A	288-59089	SLEEVE	1
13437B	289-59089	SLEEVE	1
13450	149-84761	FLYWHEEL	1
13453	291-59089	GEAR, FLYWHEEL (137 TOOTH)	1
13455	292-59089	FLYWHEEL BOLT	8
13470	293-59089	CRANKSHAFT PULLEY ASSEMBLY	1
13471	294-59089	CRANKSHAFT PULLEY	1
13474	295-59089	CRANKSHAFT PULLEY SLINGER	1
13521	296-59089	CRANKSHAFT GEAR	1
13531	297-59089	OIL PUMP DRIVE GEAR	1
900124	299-59089	BOLT	6
900124A	298-59089	BOLT	1
900129	300-59089	COLLAR	1
9504	302-59089	PIN, STRAIGHT	1
9504A	303-59089	PIN, STRAIGHT	2
9533	305-59089	KEY	1
9533A	306-59089	KEY	1
9629	307-59089	PLUG	6
9819	308-59089	RING, RETAINER OR SPRING	12
9851	310-59089	O-RING	1
9851A	309-59089	O-RING	1

CAMSHAFT AND IDLER GEAR ASSEMBLY



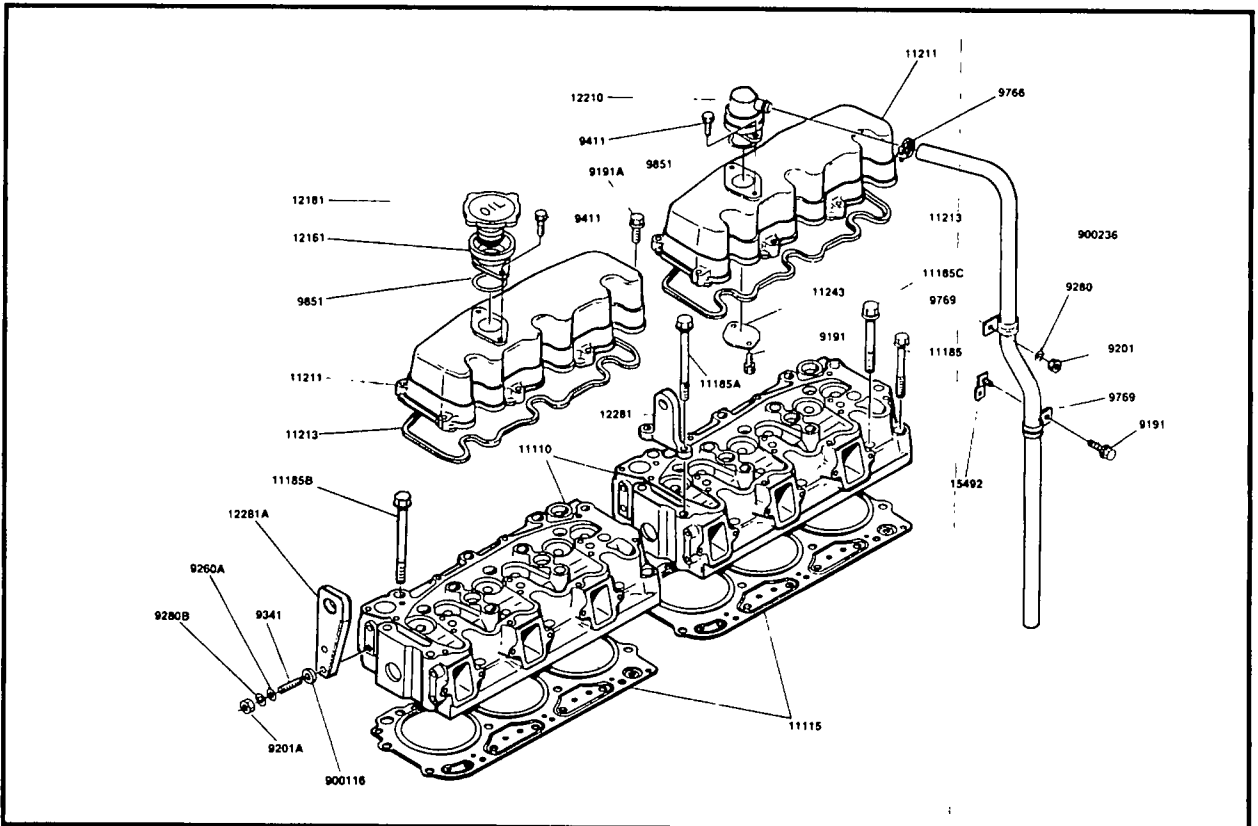
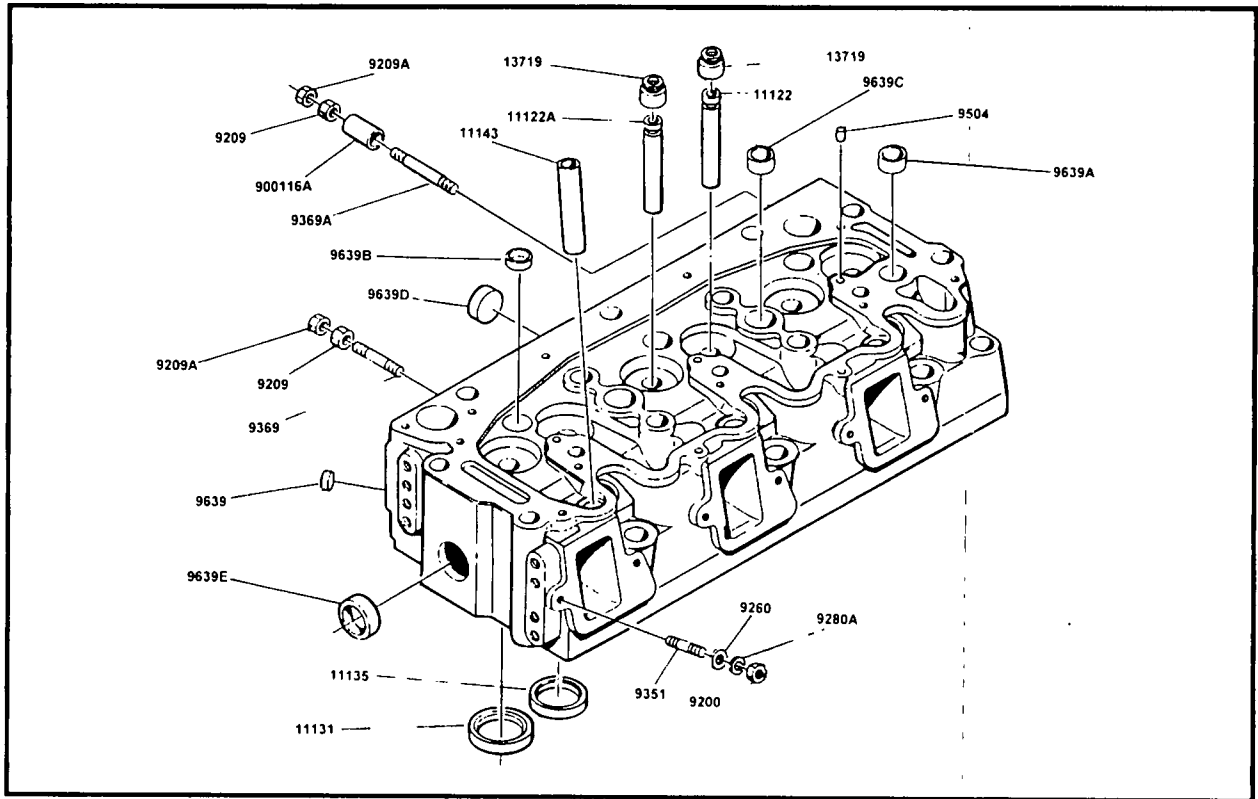
REFERENCE#	GENERAC#	DESCRIPTION	QTY
13505	311-59089	IDLE GEAR SUB ASSEMBLY	1
13511	312-59089	CAMSHAFT	1
13523	313-59089	CAMSHAFT GEAT	1
13571	314-59089	CAMSHAFT THRUST PLATE	1
13580	315-59089	IDLE GEAR SHAFT ASSEMBLY	1
900116	317-59089	SPACER	1
900116A	318-59089	SPACER	1
900124	319-59089	BOLT	1
9019	320-59089	BOLT	1
9269	321-59089	WASHER, PLAIN	1
9401	322-59089	BOLT	4
9503	323-59089	PIN, STRAIGHT	1
9534	324-59089	KEY, WOODRUFF	1
9867	325-59089	BUSHING	2

VALVE SYSTEM



REFERANCE#	GENERAC#	DESCRIPTION	QTY
13708	326-59089	ROD VALVE SUB ASSEMBLY PUSH	12
13711	150-84761	INTAKE VALVE (STD)	6
13715	151-84761	EXHAUST VALVE (STD)	6
13731	329-59089	VALVE SPRING, OUTER	12
13734	330-59089	VALVE SPRING SEAT, LOWER	12
13735	331-59089	VALVE SPRING SEAT, UPPER	12
13739	332-59089	VALVE STEM CAP	12
13750	333-59089	VALVE LIFTER ASSEMBLY	12
13787	334-59089	VALVE ADJUSTING SCREW	12
13830	335-59089	ROCKER ARM ASSEMBLY (INTAKE)	6
13831	336-59089	ROCKER ARM BUSHING	12
13840	337-59089	ROCKER ARM ASSEMBLY (EXHAUST)	6
13951	338-59089	VALVE ROCKER SUPPORT	6
900124	339-59089	BOLT	6
900126	340-59089	VALVE SPRING RETAINER LOCK	24
9219	341-59089	NUT	12
9269	342-59089	WASHER, PLAIN	12
9812	343-59089	RETAINR RING	12

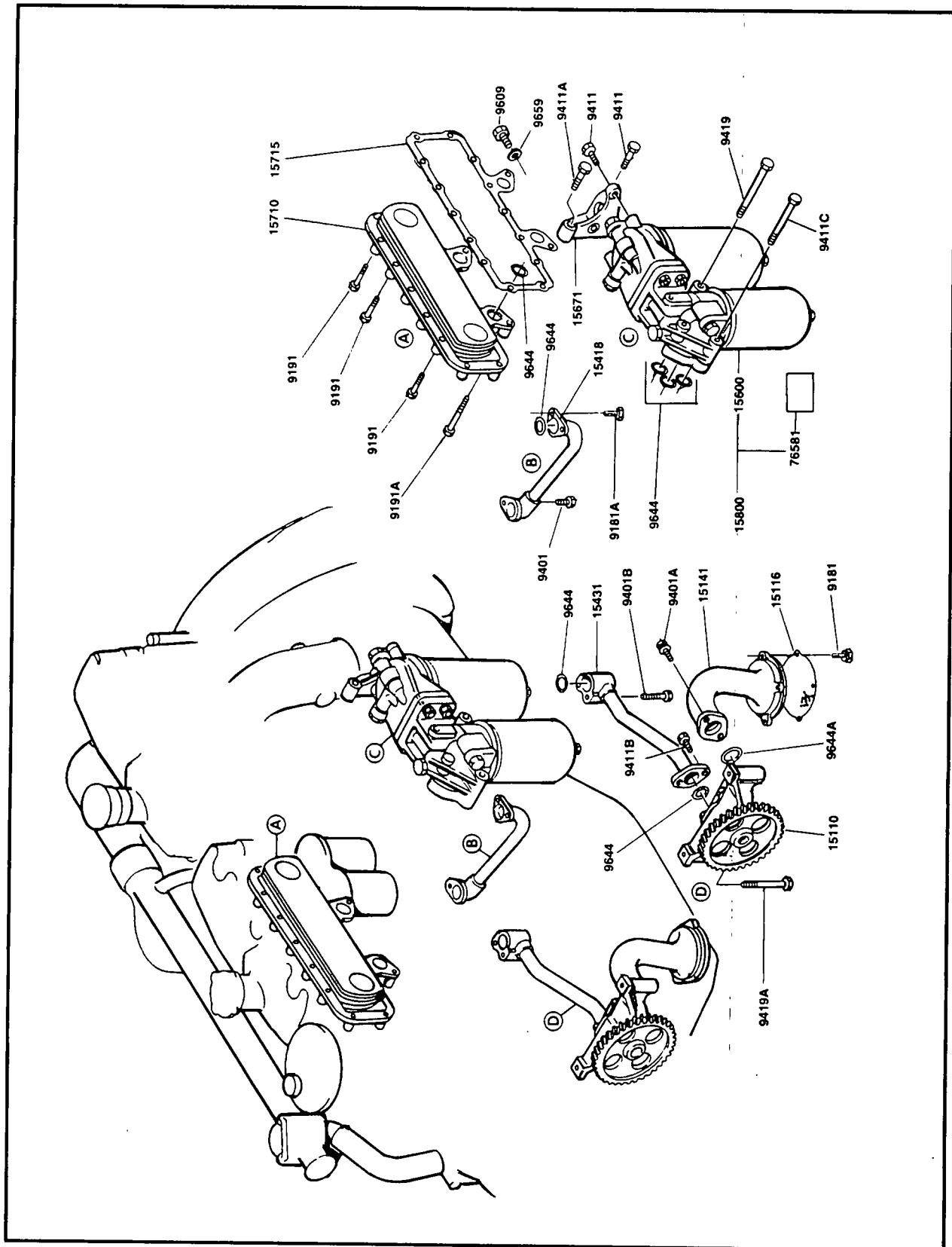
CYLINDER HEAD RELATED PARTS



CYLINDER HEAD RELATED PARTS

REFERENCE#	GENERAC#	DESCRIPTION	QTY
11110	101-84761	CYLINDER HEAD ASSEMBLY	2
11115	102-84761	INTAKE VALVE GUIDE BUSHING	6
11122A	109-59089	EXHAUST VALVE GUIDE BUSHING	6
11131	110-59089	INTAKE VALVE SEAT	6
11135	111-59089	EXHAUST VALVE SEAT	6
11143	112-59089	PIPE, CYLINDER HEAD BLIND	6
11185D	116-59089	BOLT, CYLINDER HEAD	2
11185A	103-84761	BOLT, CYLINDER HEAD	20
11185B	115-59089	BOLT, CYLINDER HEAD	2
11185C	104-84761	BOLT, CYLINDER HEAD	6
11211	105-84761	COVER, CYLINDER HEAD	2
11213	118-59089	GASKET, CYLINDER HEAD COVER	2
11243	119-59089	PLATE, BAFFLE	1
12161	120-59089	PIPE, OIL FILTER	1
12181	121-59089	OIL FILLER CAP (PUSH IN STYLE)	1
12181	121-59089A	OIL FILLER CAP (THREADED STYLE)	1
12210	106-84761	VENTILATOR ASSEMBLY	1
12281	123-59089	HANGER, ENGINE	1
12281A	124-59089	HANGER, ENGINE	1
13719	125-59089	SEAL, VALVE STEM OIL	12
15492	126-59089	HOLDER, CLIP	1
900116	127-59089	SPACER	2
900116A	128-59089	SPACER	4
900236	129-59089	HOSE, VENT	1
9191	130-59089	BOLT	3
9191A	131-59089	BOLT	16
9200	132-59089	NUT	12
9201	133-59089	NUT	1
9201A	134-59089	NUT	2
9209	135-59089	NUT	12
9209A	136-59089	NUT	12
9260	137-59089	WASHER, PLAIN	12
9260A	138-59089	WASHER, PLAIN	1
9280	139-59089	LOCKWASHER	1
9280A	140-59089	LOCKWASHER	12
9280B	141-59089	LOCKWASHER	2
9341	142-59089	STUD	2
9351	143-59089	STUD	12
9369	144-59089	STUD	12
9369A	145-59089	STUD	4
9411	146-59089	BOLT	4
9504	147-59089	PIN, STRAIGHT	12
9639	107-84761	PLUG, EXPANSION	6
9639A	145-59089	PLUG, EXPANSION	2
9639B	108-84761	PLUG, EXPANSION	6
9639C	149-59089	PLUG, EXPANSION	6
9639D	150-59089	PLUG, EXPANSION	4
9639E	151-59089	PLUG, EXPANSION	4
9766	152-59089	CLAMP	1
9769	153-59089	CLAMP	2
9851	154-59089	O-RING	2

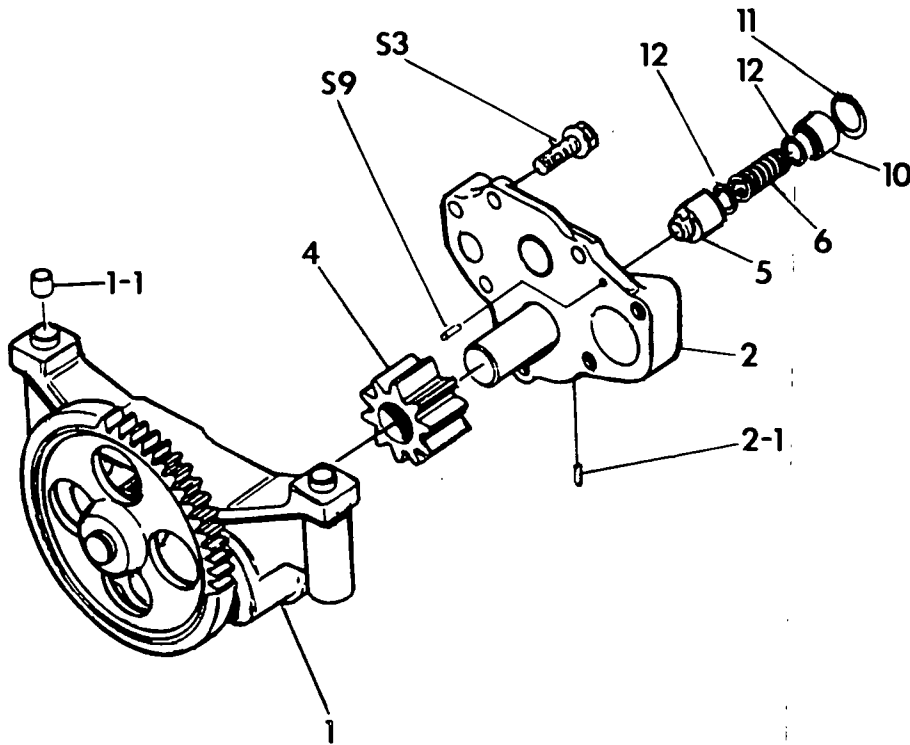
LUBRICATING SYSTEM



LUBRICATING SYSTEM

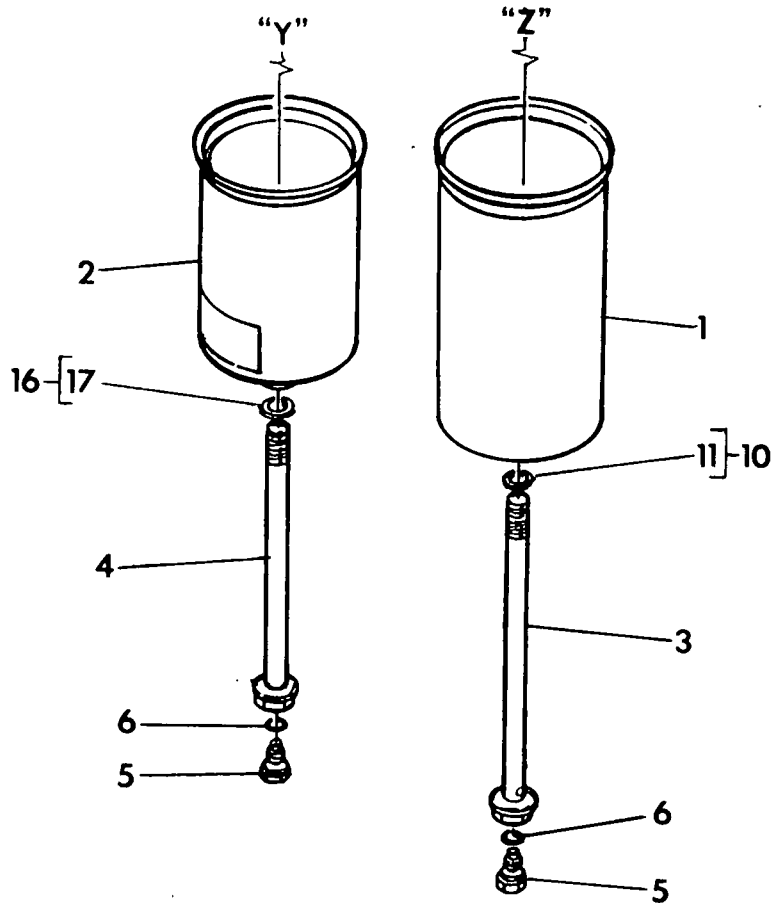
REFERENCE#	GENERAC#	DESCRIPTION	QTY
15110	158-84761	PUMP ASSEMBLY, OIL L/ STRAINER	1
15116	417-59089	SCREEN, OIL STRAINER	1
15141	418-59089	STRAINER, OIL	1
15418	419-59089	PIPE, OIL FILTER INLET	1
15431	159-84761	PIPE, OIL FEED	1
15600	421-59089	FILTER ASSEMBLY, OIL	1
15671	160-84761	BRACKET, OIL FILTER	1
15710	161-84761	COOLER ASSEMBLY, OIL	1
15715	428-59089	GASKET, OIL COOLER CASE	1
15800	431-59089	FILTER ASSEMBLY, OIL	1
76581	432-59089	PLATE, CAUTION	2
9181	434-59089	BOLT	4
9181A	435-59089	BOLT	2
9191	436-59089	BOLT	14
9191A	437-59089	BOLT	2
9401	441-59089	BOLT	1
9401A	442-59089	BOLT	2
9401B	443-59089	BOLT	2
9411	444-59089	BOLT	3
9411A	445-59089	BOLT	1
9411B	446-59089	BOLT	2
9411C	447-59089	BOLT	2
9419	448-59089	BOLT	1
9419A	449-59089	BOLT	2
9609	162-84761	PLUG	1
9644	163-84761	O-RING	9
9644A	164-84761	O-RING	1
9659	165-84761	WASHER, SOFT	1

OIL PUMP ASSEMBLY



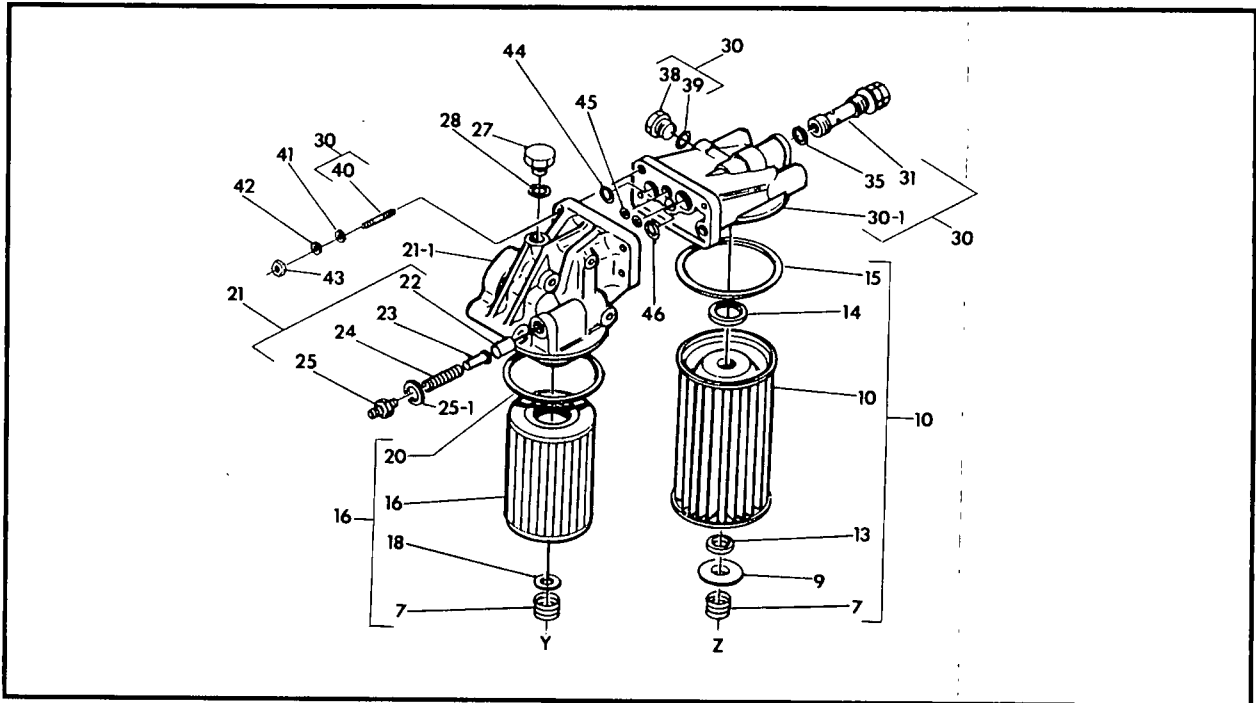
REFERENCE#	GENERAC#	DESCRIPTION	QTY
15110	166-84761	PUMP ASSEMBLY, OIL L/STRAINER	1
1	167-84761	BODY SUB ASSEMBLY, OIL PUMP	1
1.1	168-84761	COLLAR	2
2	169-84761	COVER ASSEMBLY, OIL PUMP	1
2.1	170-84761	PIN, STRAIGHT	1
S3	458-59089	BOLT	1
4	459-59089	GEAR SUB ASSEMBLY, OIL PUMP	1
5	460-59089	VALVE, SAFETY	1
6	171-84761	SPRING, OIL PUMP RELIEF VALVE	1
S9	173-84761	SEAT SPRING, OIL PUMP	1
11	174-84761	RING, RETAINER	1
12	175-84761	SHIM	2

OIL FILTER RELATED(CANISTERS)



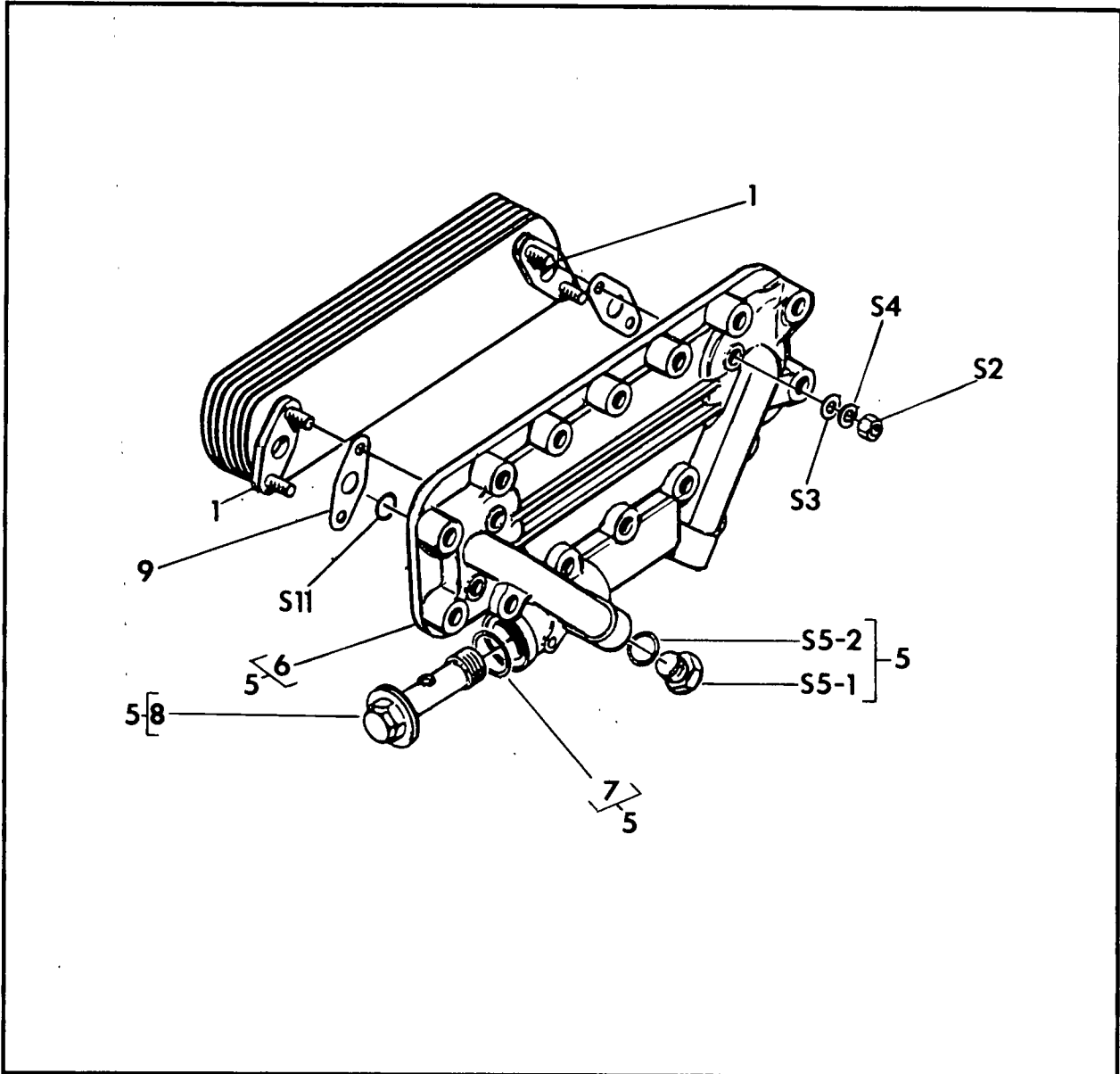
REFERENCE#	GENERAC#	DESCRIPTION	QTY
1	379-5909	CVR, OIL FILTER (SECONDARY)	1
2	380-59089	CVR, OIL FILTER (PRIMARY)	1
3	381-59089	BOLT, SECONDARY OIL FILTER CVR.	1
4	382-59089	BOLT, PRIMARY OIL FILTER COVER	1
5	383-59089	PLUG, OIL FILTER DRAIN	2
6	384-59089	O-RING (OIL FILTER DRAIN PLUG)	2
11	387-59089	O-RING (INCLUDED WITH ASY# 10)	1
17	391-59089	O-RING (INCLUDED WITH ASY# 16)	1

OIL FILTER RELATED(ELEMENTS AND MOUNTING)



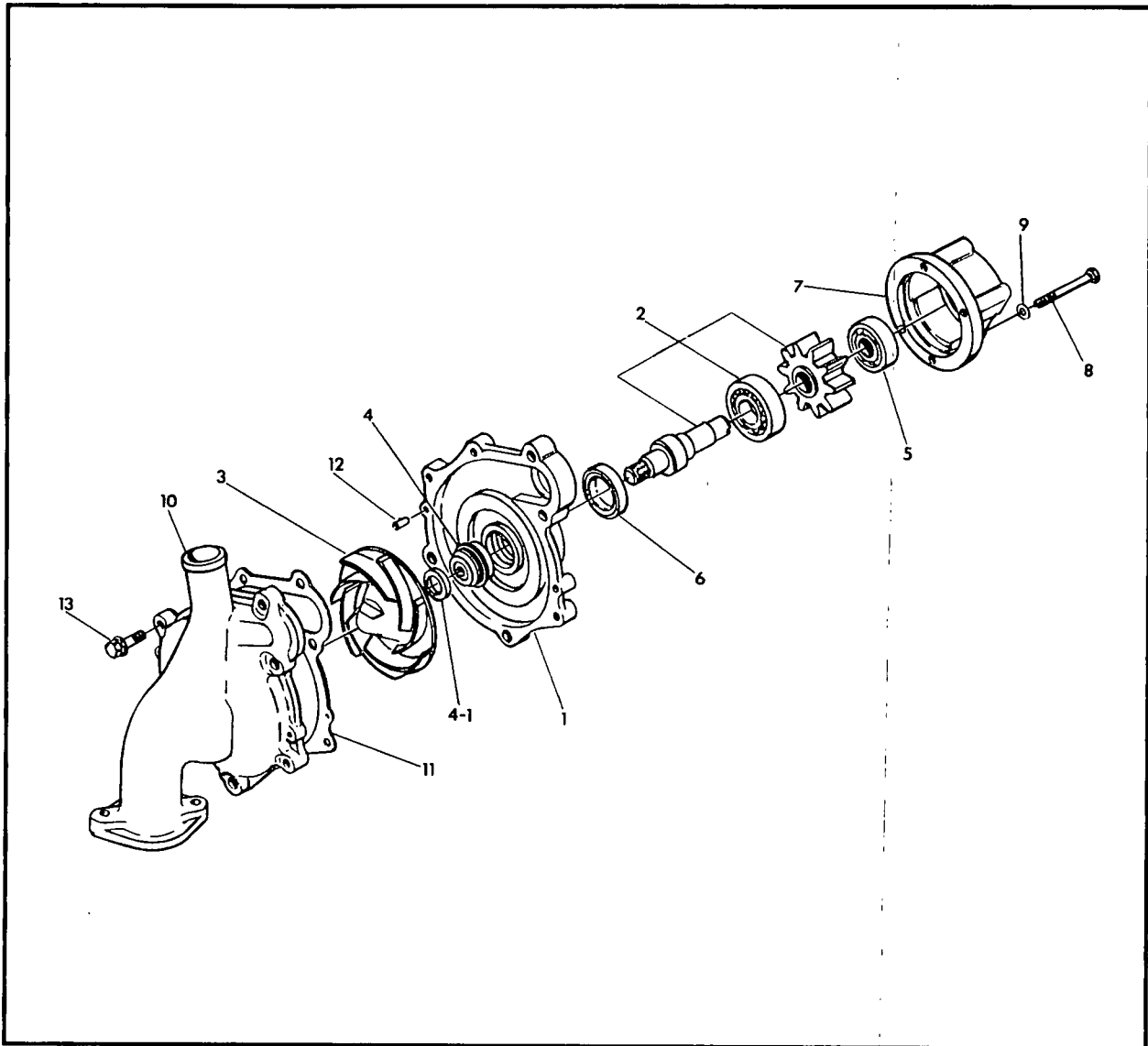
REFERENCE#	GENERAC#	DESCRIPTION	QTY
15600	421-59089	FILTER ASSEMBLY, OIL	1
7	385-59089	SPRING, OIL FILTER ELEMENT SUPT.	2
9	386-59089	SEAT, SUB ASY ELEMENT SPRING	1
10	102-59089	ELEMENT, OIL FILTER SECONDARY	1
13	388-59089	O-RING	1
14	369-59089	O-RING	1
15	390-59089	O-RING	1
16	101-59089	ELEMENT, OIL FILTER PRIMARY	1
18	392-59089	WASHER	1
20	393-59089	O-RING	1
21	394-59089	CAP ASSEMBLY, OIL FILTER	1
21.1	395-59089	COVER, OIL FILTER ELEMENT	1
22	396-59089	VALVE, FILTER SAFETY	1
23	397-59089	VALVE, SUB ASSEMBLY OIL SAFETY	1
24	398-59089	SPRING, OIL VALVE	1
25	399-59089	PLUG ASSEMBLY, OIL	1
25.1	400-59089	O-RING	1
27	401-59089	PLUG	1
28	402-59089	O-RING	1
30	403-59089	CAP ASSEMBLY, OIL FILTER	1
30.1	404-59089	COVER, OIL FILTER ELEMENT	1
31	405-59089	VALVE SUB ASSEMBLY, OIL CHECK	1
35	406-59089	O-RING	1
38	407-59089	PLUG	1
39	408-59089	O-RING	1
40	409-59089	STUD	4
41	410-59089	WASHER, PLAIN	4
S42	411-59089	LOCKWASHER	4
43	412-59089	NUT	4
44	413-59089	O-RING	1
45	414-59089	O-RING	2
46	415-59089	O-RING	1

OIL COOLER ASSEMBLY



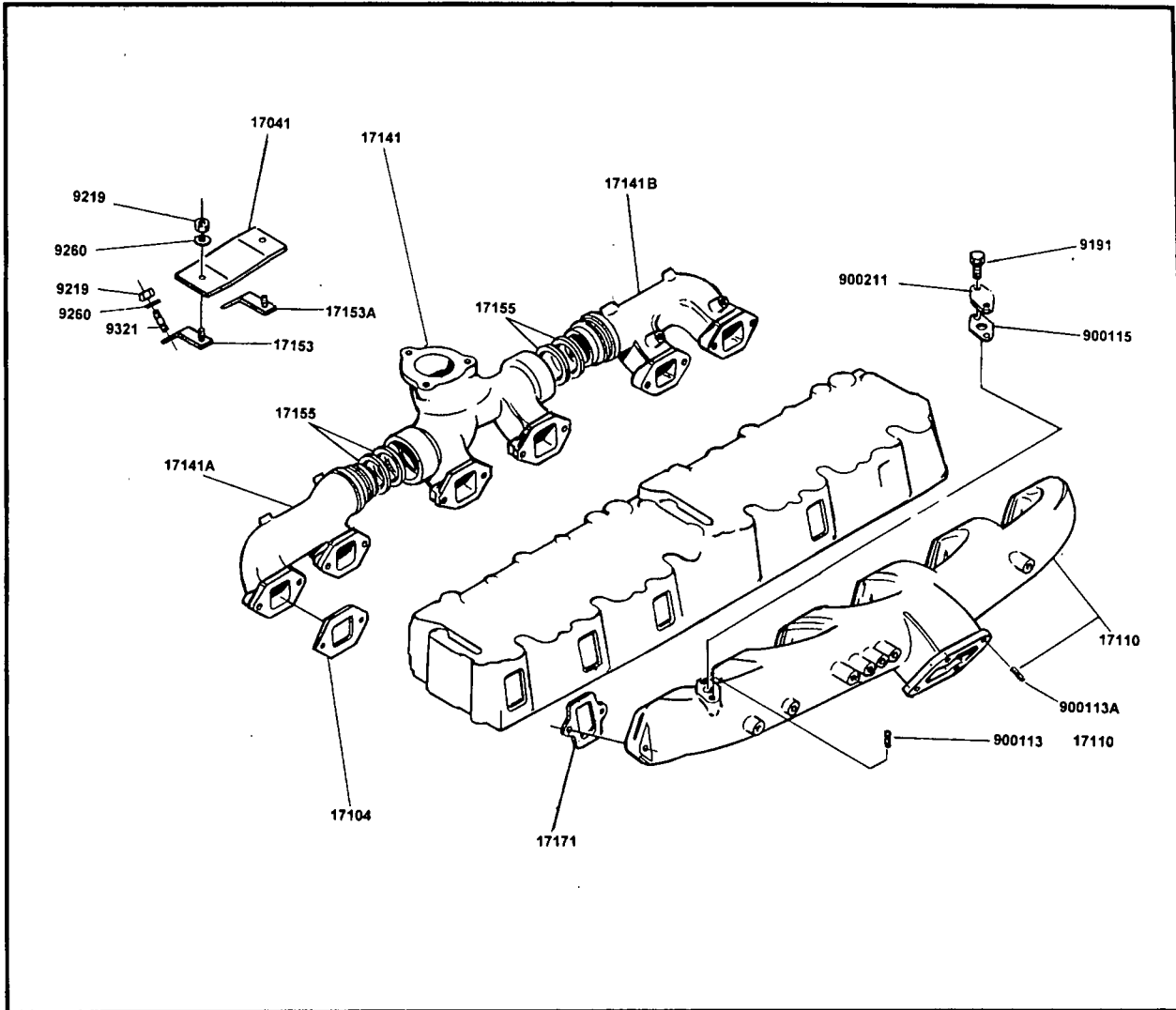
REFERENCE#	GENERAC#	DESCRIPTION	QTY
15710	161-84761	COOLER ASSEMBLY, OIL	1
1	426-59089	ELEMENT, OIL COOLER	1
S2	438-59089	NUT	4
S3	439-59089	WASHER, PLAIN	4
S4	440-59089	LOCK WASHER	4
5	423-59089	CASE SUB ASSEMBLY, OIL COOLER	1
5.1	429-59089	PLUG, VALVE SPRING	2
5.2	452-59089	O-RING	2
6	425-59089	CASE, OIL COOLER	1
7	453-59089	O-RING	1
8	427-59089	VALVE, SAFETY	1
9	430-59089	GASKET, OIL COOLER ELEMENT	2
S11	454-59089	O-RING (OIL COOLER MOUNTING)	2

COOLANT PUMP ASSEMBLY AND RELATED PARTS



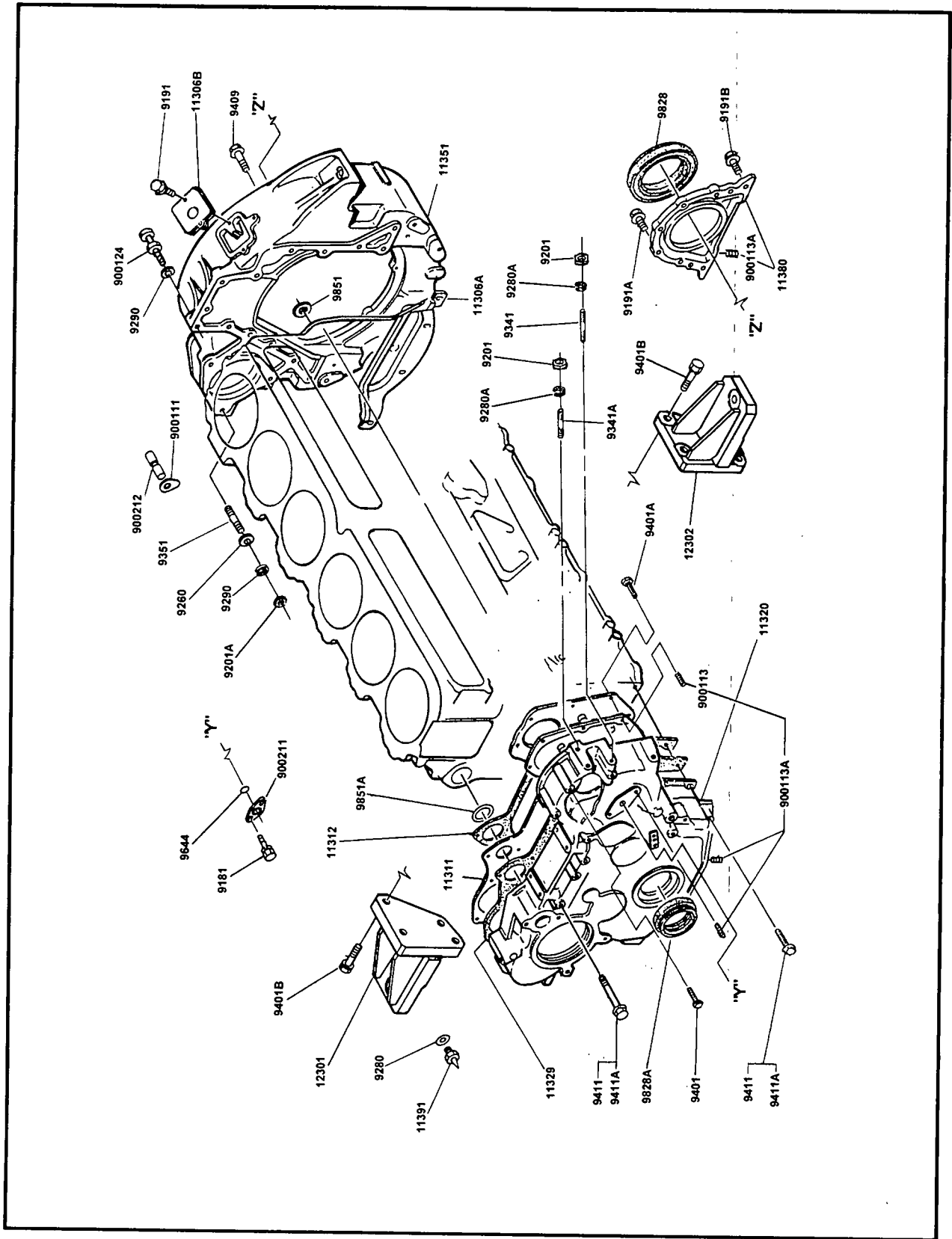
REFERENCE#	GENERAC#	DESCRIPTION	QTY
16100	596-59089	COOLANT PUMP ASSEMBLY	1
1	676-59089	CASE, COOLANT PUMP	1
2	677-59089	COOLANT PUMP SHAFT SUB-ASY.	1
3	678-59089	VANE, COOLANT PUMP	1
4	181-84761	SEAL, COOLANT PUMP SUB-ASY.	1
4.1	680-59089	SPACER	1
5	681-59089	BEARING, BALL	1
6	682-59089	SEAL, OIL	1
7	182-84761	RETAINER, COOLANT PUMP BEARING	1
S8	684-59089	BOLT	4
S9	685-59089	LOCKWASHER	4
10	686-59089	COVER, COOLANT PUMP	1
11	687-59089	GASKET, COOLANT PUMP CASE	1
S12	688-59089	PIN, STRAIGHT	2
S13	689-59089	BOLT	3

INTAKE AND EXHAUST MANIFOLD ASSEMBLIES



REFERENCE#	GENERAC#	DESCRIPTION	QTY
17041	152-84761	INSULATOR SUB-ASY. (EXHAUST)	1
17104	153-84761	GASKET SUB-ASY. (EXH MANIFOLD)	6
17110	345-59089	INTAKE MANIFOLD ASSEMBLY	1
17141	347-59089	EXH. MANIFOLD SUB-ASY (CENTER)	1
17141A	154-84761	EXH. MANIFOLD SUB-ASY (FRONT)	1
17141B	155-84761	EXH. MANIFOLD SUB-ASY (REAR)	1
17153	156-84761	BRACKET, INSULATOR	1
17153A	351-59089	BRACKET, INSULATOR	1
17155	352-59089	SEAL, RING	6
17171	353-59089	GASKET, INTAKE MANIFOLD	6
900113	358-59089	HELISERT	2
900113A	359-59089	HELISERT	2
900115	360-59089	GASKET	1
900211	361-59089	FLANGE	1
9191	363-59089	BOLT	2
9219	366-59089	NUT	4
9260	157-84761	WASHER, PLAIN	4
9321	373-59089	STUD	2

TIMING GEAR COVER AND FLYWHEEL HOUSING



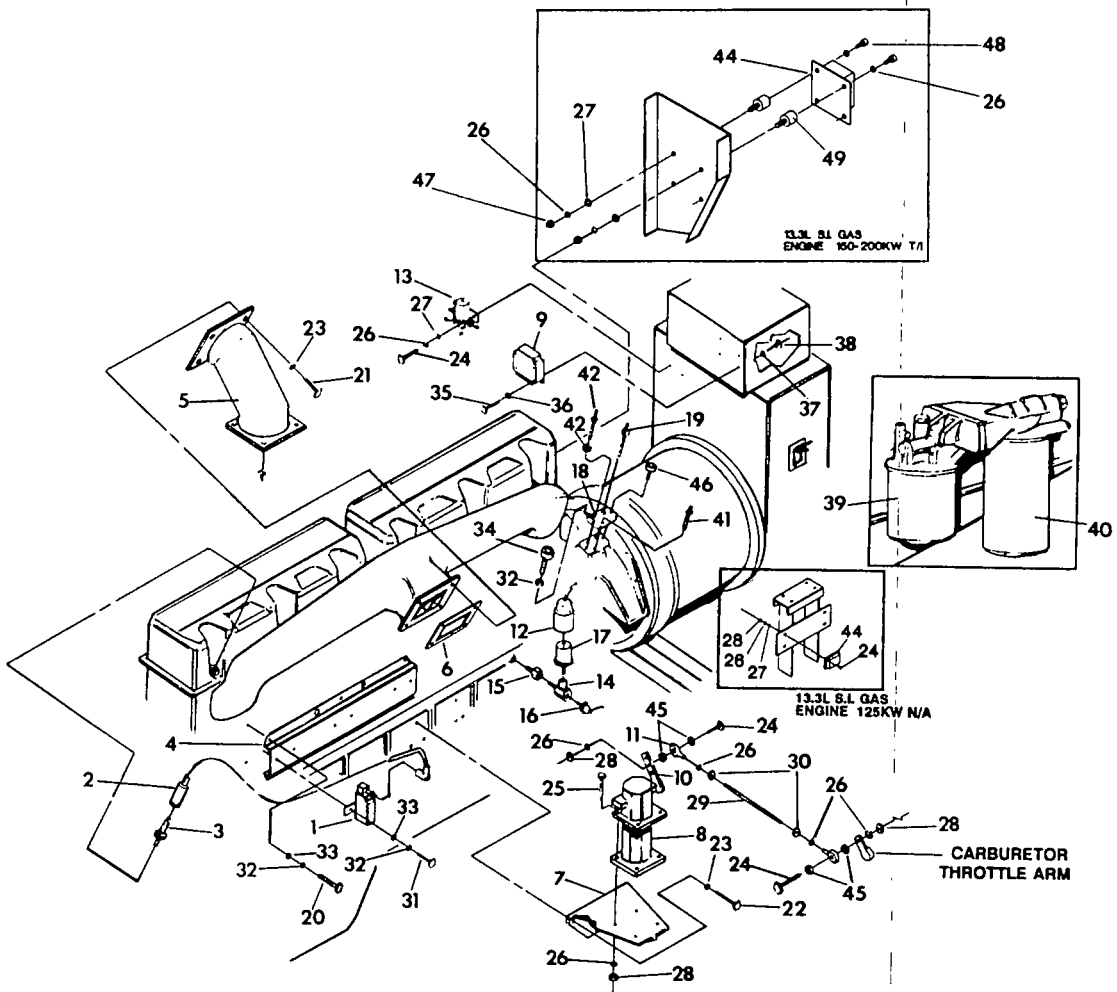
TIMING GEAR COVER AND FLYWHEEL HOUSING

REFERENCE#	GENERAC#	DESCRIPTION	QTY
11306A	134-84761	COVER SUB-ASY. F/H DUST	1
11306B	201-59089	COVER SUB-ASY. F/H DUST	1
11311	202-59089	PLATE, FRONT END	1
11312	135-84761	GASKET, FRONT END PLATE	1
11320	204-59089	COVER ASY. TIMING GEAR CASE	1
11329	136-84761	GASKET, TIMING GEAR CASE COVER	1
11351	137-84761	HOUSING, FLYWHEEL	1
11380	138-84761	RETAINER ASSEMBLY, OIL SEAL	1
11391	139-84761	POINTER, TIMING	1
12301	213-59089	FRONT ENGINE MOUNTING BRACKET	1
12302	214-59089	FRONT L.H. ENGINE MTG. BRACKET	1
900111	216-59089	SHIM 0.05	AR
900111	217-59089	SHIM 0.10	AR
900111	218-59089	SHIM 0.20	AR
900113	219-59089	HELISERT	16
900113A	220-59089	HELISERT	8
900124	222-59089	BOLT	2
900211	223-59089	FLANGE	1
900212	224-59089	PIN, BOLT	AR
900212	225-59089	PIN, BOLT	AR
900212	226-59089	PIN, BOLT	AR
9181	228-59089	BOLT	2
9191	229-59089	BOLT	6
9191A	230-59089	BOLT	5
9191B	231-59089	BOLT	2
9201	232-59089	NUT	3
9201A	233-59089	NUT	3
9260	234-59089	WASHER, PLAIN	3
9280	235-59089	LOCKWASHER	1
9280A	236-59089	LOCKWASHER	3
9290	237-59089	LOCKWASHER	5
9341	238-59089	STUD	1
9341A	140-84761	STUD	2
9351	240-59089	STUD	3
9401	242-59089	BOLT	10
9401A	243-59089	BOLT	3
9401B	141-84761	BOLT	10
9411	247-59089	BOLT	8
9411A	248-59089	BOLT	4
9644	142-84761	O-RING	1
9828	251-59089	SEAL, OIL	1
9828A	252-59089	SEAL, OIL	1
9851	254-59089	O-RING	1
9851A	255-59089	O-RING	2

ENGINE ACCESSORIES (STARTER SIDE)

REFERENCE#	GENERAC#	DESCRIPTION	QTY
1	84761	ENGINE 13.3 LITER NAT GAS	1
4	58917	GASKET, EXHAUST	1
5	79921	STUD, M12-1.75 (HIGH TEMP)	3
7	51548	NUT, HEX M12-1.75	6
8	59975	ADAPTER, WATER TEMP SENDER	1
9	53667	WATER TEMPERATURE SENDER	1
11	46526	WASHER, LOCK (M10)	1
12	55934D	CLAMP, HOSE	1
13	57823	CLAMP, HOSE	4
14	59967	FITTING, BARBED 3/4" X 3/4"	3
15	59963	ADAPTER, COOLANT RETURN	1
16	*****	O-RING (INCLUDED WITH ENGINE)	1
18	26307	ELBOW, 90 deg 3/4" NPT	2
19	26577	BUSHING, REDUCER 1" X 3/4" NPT	2
21	59687	HEATER, ENGINE COOLANT	1
22	61569	BRACKET, ENGINE COOLANT HEATER	1
23	86743	RELAY, 15A / 24 VOLT DC	1
24	45757	CAPSCREW, HEX HD M6-1.00 X 25mm	4
25	22097	WASHER, LOCK M6	3
26	43146	CAPSCREW, HEX HD M6-1.00 X 10mm	4
27	59962	FITTING, ENGINE COOLANT SUPPLY	1
28	53966	BOX, TRICKLE CHARGER	1
29	42568	CAPSCREW, HEX HD M6-1.00 X 20mm	2
30	52857	NUT, FLANGED LOCK M6-1.00	4
31	53965	COVER, TRICKLE CHARGER	1
32	69921	CAPSCREW, HX HD M12-1.75 X 40mm	1
33	22129	WASHER, LOCK M8	4
34	59057	HOSE 3/4" I.D. X 23" LONG	1
35	59059	HOSE 3/4" I.D. X 28" LONG	1
36	65807	EXHAUST, FLEXIBLE	1
38	81098	SPACER	2
40	47527	FITTING, BARBED 3/4" X 1/2" NPT	1
41	57642	HHCS M10-1.5 X 40mm	1
42	36918	PPHMS 8-32 X 1/2 LONG	2
43	38150	FLAT WASHER # 8	2
44	22264	OCKWASHER # 8 M4	2
45	22471	HEX NUT # 8-32	2
46	49813	HEX NUT M6-1.0	1

ENGINE ACCESSORIES (EXHAUST SIDE)



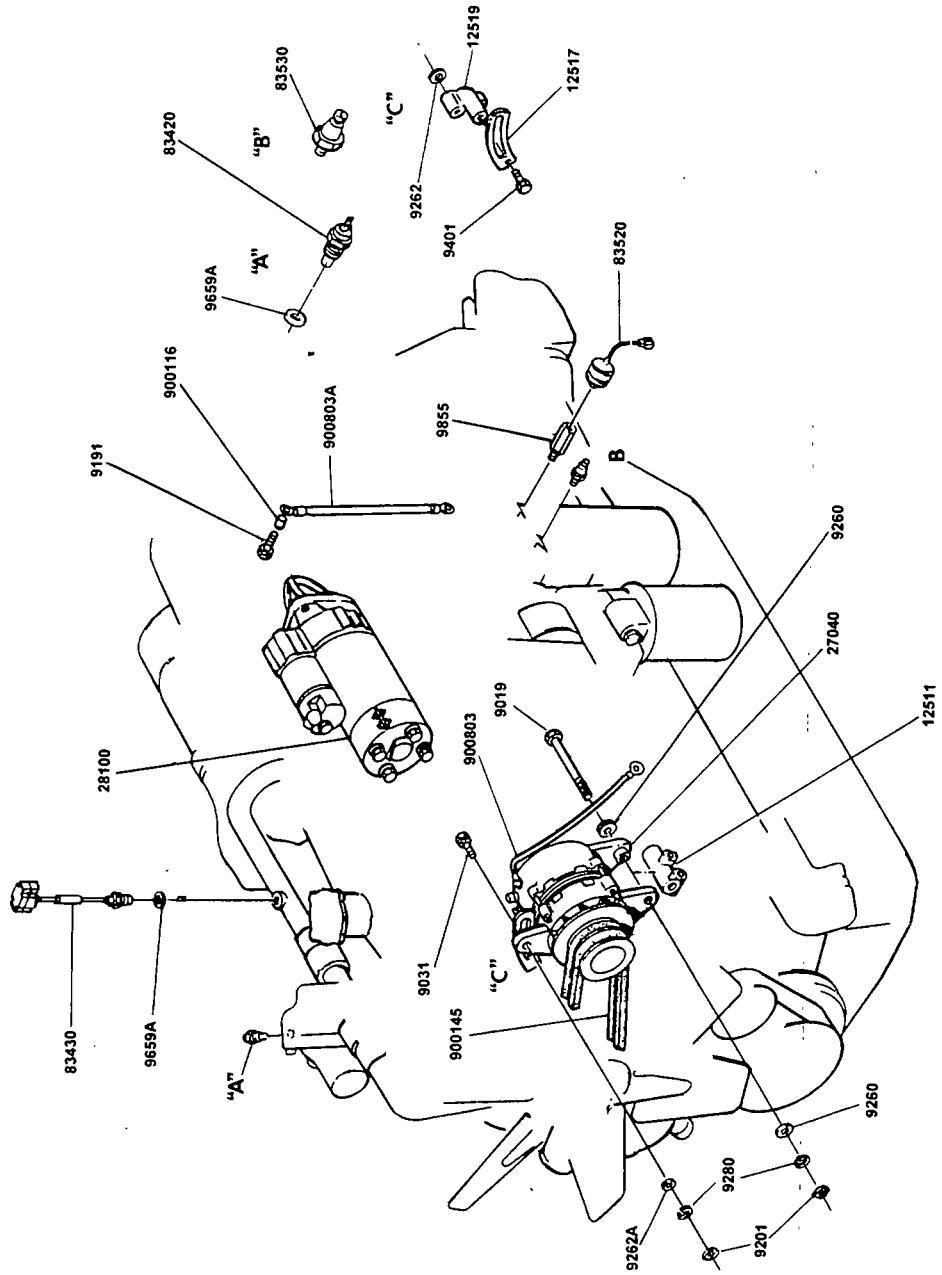
ENGINE ACCESSORIES (EXHAUST SIDE)

REFERENCE#	GENERAC#	DESCRIPTION	QTY
1	84206B	COIL, IGNITION	6
2	84261	ASSEMBLY, PLUG WIRE	6
3	84750	SPARK PLUG	6
4	82593	IGNITION COIL MOUNTING BRACKET	2
5	82590	INTAKE ADAPTOR, CARBURETOR	1
6	84751	GASKET, INTAKE ADAPTOR	1
7	82594	BRACKET, GOVERNOR MOUNTING	1
8	85129	ACTUATOR, GOVERNOR 2 LBs	1
9	84752	CONTROLLER, GOVERNOR	1
10	84753	LEVER, CLAMP	1
11	84754	ROD END BEARINGS, 1/4-28	2
12	84756	HARNESS, ENGINE 125 KW	1
12	84756A	HARNESS, ENGINE 150-200 KW	1
13	56739	SOLENOID, STARTER (SILVER) 12V	1
13	82982	SOLENOID, STARTER (SILVER) 24V	1
14	35430	TEE	1
15	42574	ADAPTER	1
16	60108	SWITCH, OIL PRESSURE	1
17	53666	SENDER, OIL PRESSURE	1
18	87719	BRACKET, MPU MOUNTING	1
19	84206C	MPU, IGNITION	1
20	43107	CAPSCREW, HEX HD M8-1.25 X 25mm	24
21	49541	CAPSCREW, HEX HD M10-1.5 X 35mm	4
22	51756	CAPSCREW, HEX HD M10-1.5 X 20mm	4
23	46526	WASHER, LOCK M10	8
24	45757	CAPSCREW, HEX HD. M6-1.00 X 25mm	8
25	38750	CAPSCREW, HEX HD. M6-1.00 X 30mm	4
26	22097	WASHER, LOCK M6	18
27	22473	WASHER, FLAT M6	6
28	49813	NUT, HEX M6-1.0	6
29	85130	ROD, THREADED 1/4" -28 X 8 1/2"	1
30	36409	NUT, HEX, 1/4"-28	2
31	39253	CAPSCREW, HEX HD. M8-1.25 X 20mm	12
32	22129	WASHER, LOCK M8	37
33	22145	WASHER, FLAT M8	36
34	40948	SCREW, SOCKET HD M8-1.25 X 16mm	1
35	49815	CAPSCREW, HEX HD M5-0.8 X 16mm	4
36	23897	WASHER, FLAT M5	4
37	49226	WASHER, LOCK M5	4
38	51716	NUT, HEX M5-0.8	4
39	101-59089	OIL FILTER (SMALL)	1
40	102-59089	OIL FILTER (LARGE)	1
41	82130D	MPU, GOVERNOR CONTROLLER	1
42	82130D	MPU, SPEED SENSOR (RPM)	1
44	84206A	CDI IGNITION CONTROLLER	1
45	70007	WASHER, FLAT M6	4
46	86197	CAPSCREW SKT HD M8-1.25 X 76mm	1
47	22127	NUT, HEX 1/4"-20	4
48	22287	CAPSCREW HEX HD 1/4"-20 X 3/4"	4
49	40479	DAMPENER, VIBRATION	4

ENGINE COOLING SYSTEM AND RELATED PARTS

REFERENCE#	GENERAC#	DESCRIPTION	QTY
16383	615-59089	SHAFT, TENSION PULLEY	1
16384	616-59089	PULLEY, TENSION	1
16387	617-59089	COVER, TENSION PULLEY	1
16391	618-59089	SHAFT, FAN DRIVE	1
16900	619-59089	DRIVE ASSEMBLY, COOLING FAN	1
900111	620-59089	SHIM 0.10	AR
900111	621-59089	SHIM 0.30	AR
900116	623-59089	SPACER	1
900146	624-59089	THERMOSTAT	1
900149	625-59089	V-BELT SET	1
900234	626-59089	HOSE, WATER	1
900234A	627-59089	HOSE, WATER	2
900234B	628-59089	HOSE, WATER	1
9181	630-59089	BOLT	3
9191	631-59089	BOLT	2
9201	632-59089	NUT	6
9201A	633-59089	NUT	1
9209	634-59089	NUT	1
9210	635-59089	NUT, LOCK	1
9210A	636-59089	NUT	1
9260	637-59089	WASHER, PLAIN	6
9260A	638-59089	WASHER, PLAIN	1
9262	639-59089	WASHER, PLAIN	1
9262A	640-59089	WASHER, PLAIN	1
9279	641-59089	WASHER, LOCK	1
9279A	642-59089	WASHER, LOCK	1
9280	643-59089	WASHER, LOCK	6
9280A	644-59089	WASHER, LOCK	1
9280B	645-59089	WASHER, LOCK	1
9339	646-59089	STUD	1
9341	647-59089	STUD	4
9341A	648-59089	STUD	2
9401	649-59089	BOLT	2
9401A	650-59089	BOLT	2
9401B	651-59089	BOLT	4
9401C	652-59089	BOLT	4
9401D	653-59089	BOLT	1
9411	654-59089	BOLT	2
9411A	655-59089	BOLT	4
9411B	656-59089	BOLT	1
9411C	657-59089	BOLT	1
9419	658-59089	BOLT	5
9419A	659-59089	BOLT	1
9534	660-59089	KEY, WOODRUFF	1
9609	661-59089	PLUG	1
9609A	177-84761	PLUG	1
9626	662-59089	PLUG	2
9644	178-84761	O-RING	1
9654	179-84761	WASHER, SOFT	1
9669	663-59089	GASKET, FLANGE	2
9764	664-59089	CLAMP	3
9764A	665-59089	CLAMP	3
9800	666-59089	BALL, STEEL	1
9802	667-59089	FITTING, LUBRICATION	1
9802A	180-84761	FITTING, LUBRICATION	1
9851	668-59089	O-RING	2
9851A	670-59089	O-RING	1
990	671-59089	BEARING, BALL	1
990A	672-59089	BEARING, BALL	1
990B	673-59089	BEARING, BALL	1
990C	674-59089	BEARING, BALL	1

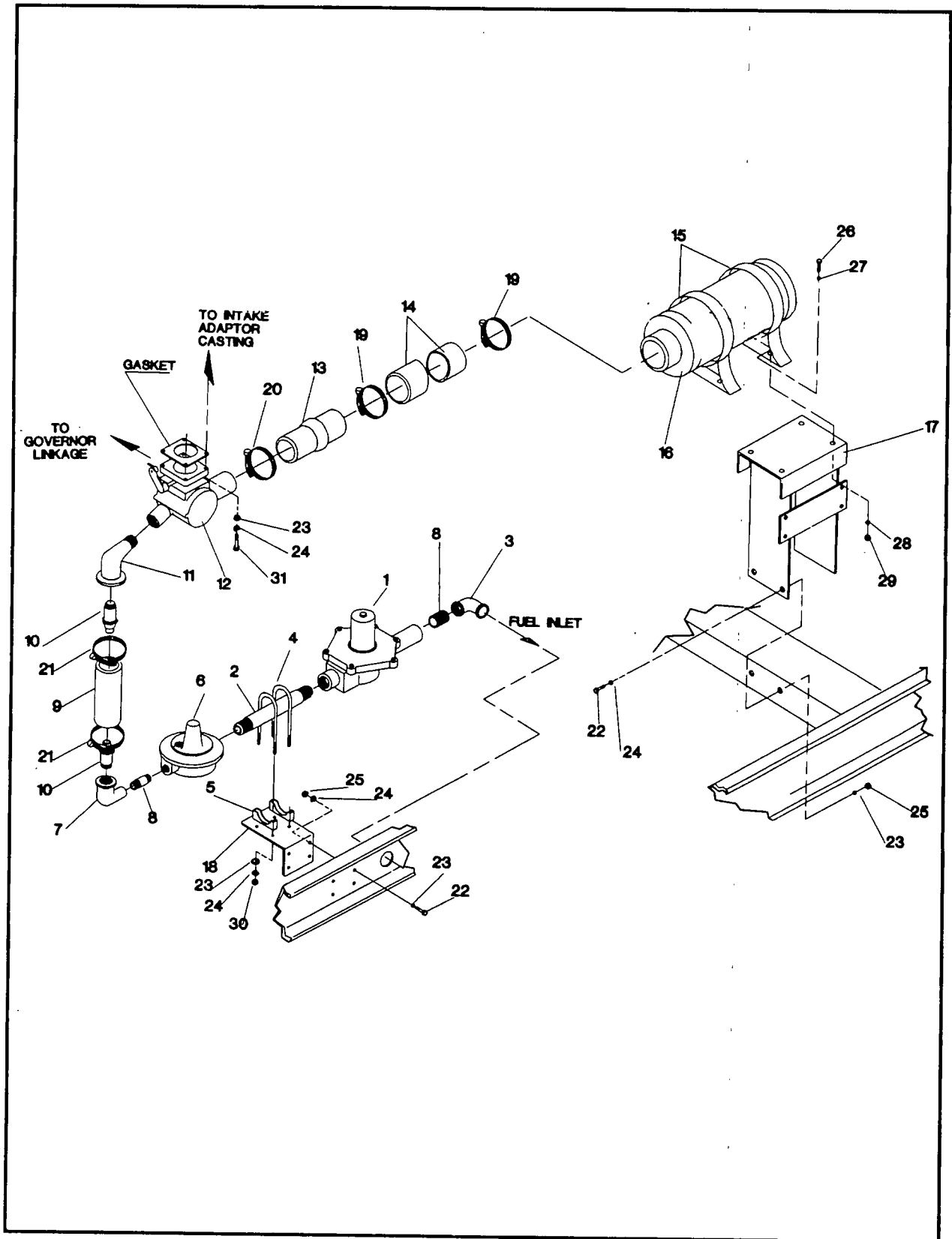
ELECTRICAL RELATED PARTS



ELECTRICAL RELATED PARTS

REFERENCE#	GENERAC#	DESCRIPTION	QTY
12511	691-59089	BRACKET, GENERATOR	1
12517	692-59089	BRACKET, GENERATOR BRACE	1
12519	693-59089	DISTANCE PIECE, GENERATOR	1
27040	694-59089	ALTERNATOR ASY W / REGULATOR	1
28100	183-84761	STARTER ASSEMBLY	1
83420	696-59089	GAUGE W / WATER TEMP SENSOR	1
83430	697-59089	SWITCH ASSEMBLY, TEMPERATURE	1
83520	698-59089	GAUGE ASY. OIL PRESSURE	1
83530	699-59089	SWITCH ASY. OIL PRESSURE	1
900116	700-59089	SPACER	1
900145	701-59089	V-BELT	1
900803	702-59089	STRAP, BAND	1
900803A	703-59089	STRAP, BAND	1
9019	704-59089	BOLT	1
9031	184-84761	BOLT	1
9191	706-59089	BOLT	1
9201	708-59089	NUT	2
9260	185-84761	WASHER, PLAIN	2
9262	710-59089	WASHER, PLAIN	2
9262A	711-59089	WASHER, PLAIN	2
9280	712-59089	LOCK WASHER	2
9401	714-59089	BOLT	1
9659	715-59089	WASHER, SOFT	1
9659A	186-84761	WASHER, SOFT	1
9855	716-59089	JOINT, PIPE	1

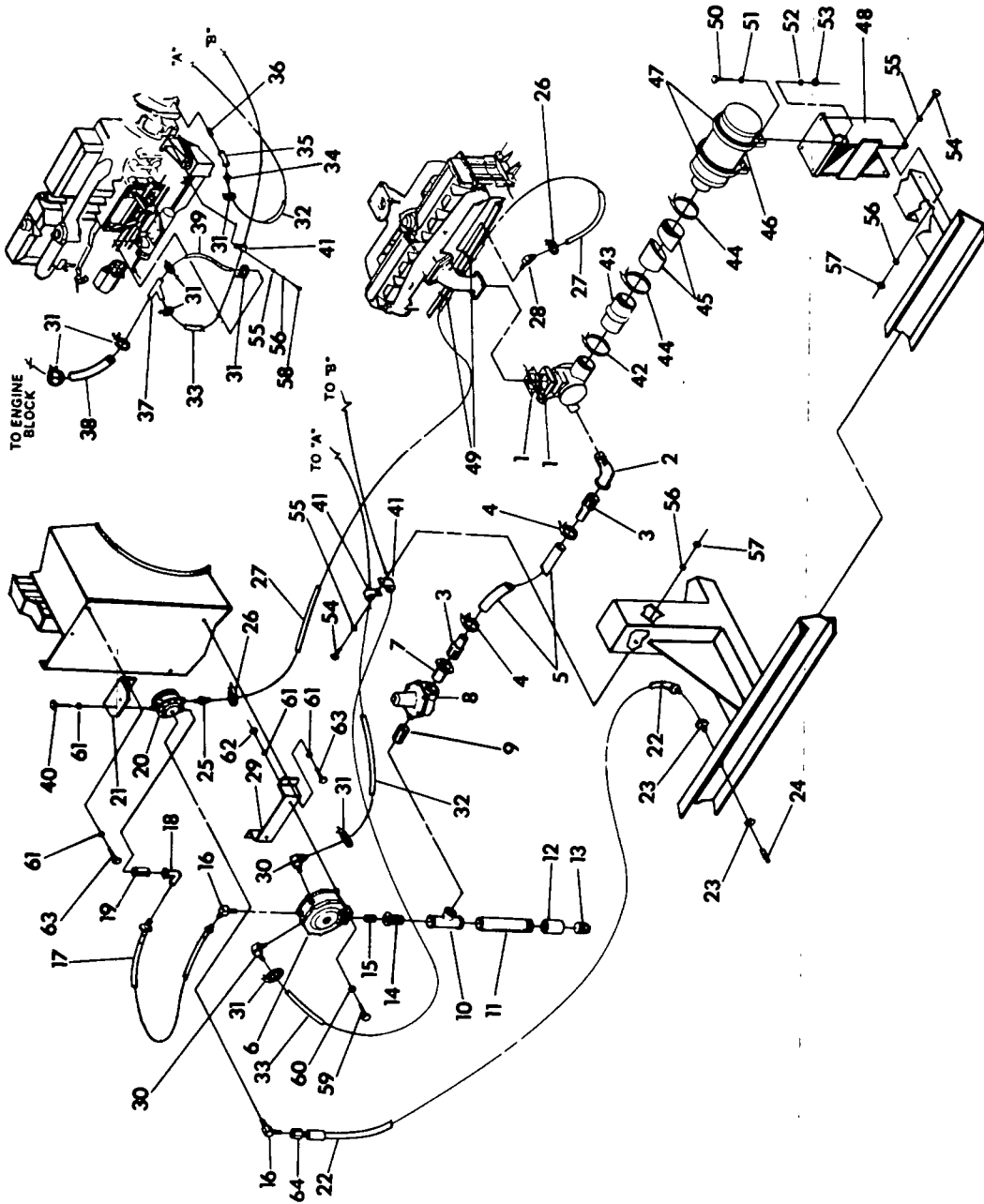
NATURAL GAS CARBURETOR AND RELATED PARTS



NATURAL GAS CARBURETOR AND RELATED PARTS

REFERENCE#	GENERAC#	DESCRIPTION	QTY
1	84251	1-1/2" FUEL SHUT OFF SOLENOID	1
2	90027	PIPE NIPPLE 1-1/2" X 6.5" LONG	1
3	62091	ELBOW, 90 deg 1-1/2" NPT	1
4	36434	U-BOLT 2"	2
5	36449	SADDLE	2
6	84252	FUEL, REGULATOR 1-1/2"	1
7	76050	90 deg ELBOW, RDCING 1-1/2" X 1-1/4"	1
8	61900	NIPPLE, CLOSE 1-1/2" NPT	2
9	84721	HOSE, 1-1/4" I.D.	19"
10	70303	CNCTR ,HOSE 1-1/4" NPT X 1-1/4" NPT	2
11	30132	ELBOW, STREET 45 deg 1-1/4" NPT	1
12	82592	CARBURETOR	1
13	84725	CONNECTOR, HUMP HOSE	1
14	9002/	TUBE, AIR INTAKE	1
15	84289	CLAMPS, AIR CLEANER MOUNTING	2
16	84288	CLEANER, AIR	1
17	90029	BRACKET, AIR CLEANER	1
18	90030	BRACKET, FUEL SUPPLY	1
19	58612	CLAMP, HOSE # 80	2
20	57648	CLAMP, HOSE # 64	1
21	86133B	CLSMP, HOSE HI-TORQUE	2
22	43107	CAPSCREW, HEX HD. M8-1.25 X25mm	8
23	22145	WASHER, FLAT M8	16
24	22129	WASHER, LOCK M8	16
25	45771	NUT, HEX M8X1.25	8
26	49814	CAPSCREW, HEX HD M10-1.5 X .25mm	4
27	22131	WASHER, FLAT M10	4
28	46526	WASHER, LOCK M10	4
29	45772	NUT, HEX M10-1.5	4
30	22259	NUT, HEX 5/16"-18	4
31	42909	CAPSCREW, HEX HD M8-1.25 X 30mm	4

LPG LIQUID CARBURETOR AND RELATED PARTS



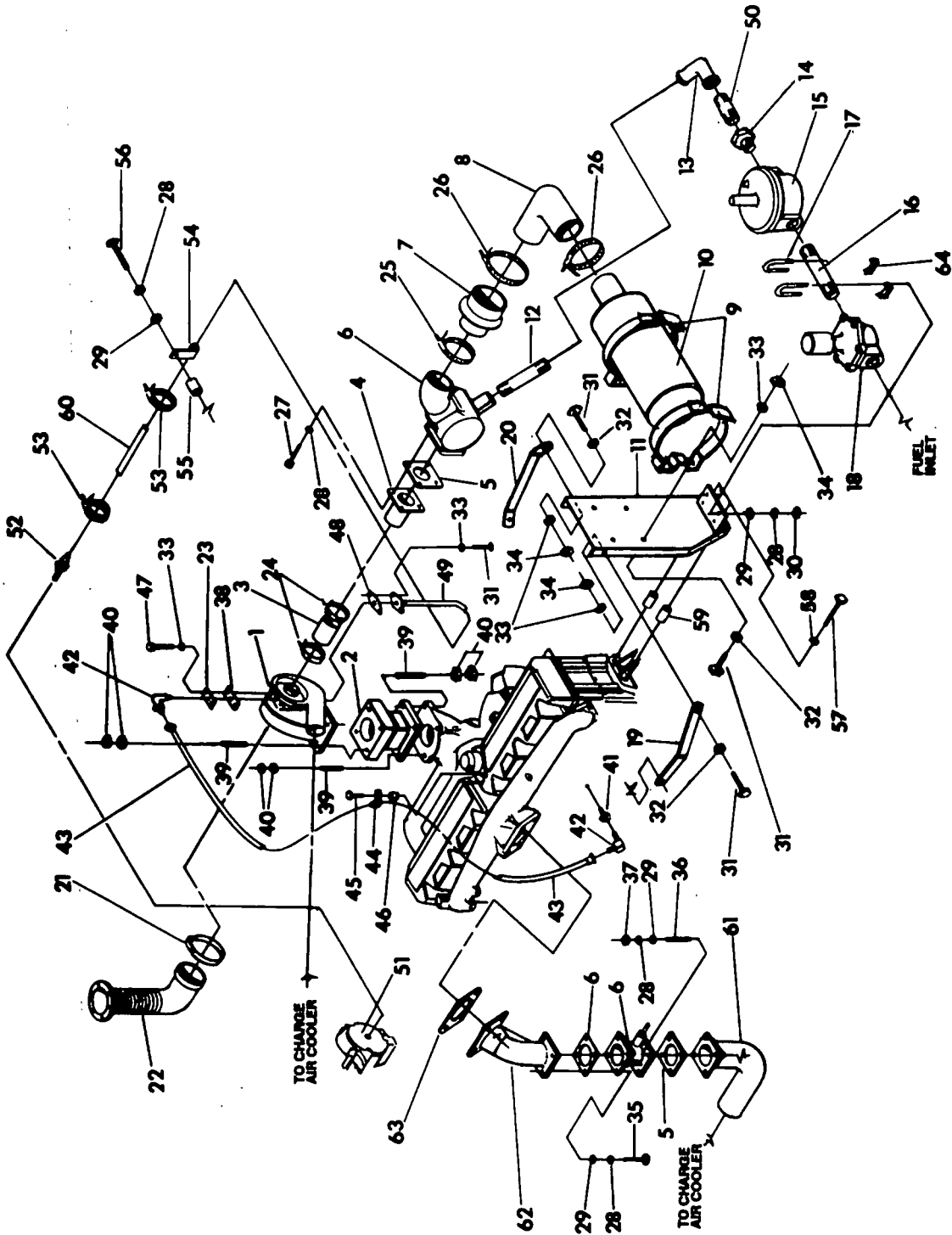
LPG LIQUID CARBURETOR AND RELATED PARTS

REFERENCE#	GENERAC#	DESCRIPTION	QTY
1	82592	CARBURETOR	1
2	30132	ELBOW, 45 deg STREET 1-1/4" NPT	1
3	70303	CNCTR, HSE 1-1/4"X 1-1/4" NPT HS	2
4	86133B	CLAMP, HOSE	2
5	84721	HOSE, 1-1/4" I.D.	20"
6	55504	REGULATOR, FUEL	1
7	88903	BUSHING, RED 1-1/2" X 1-1/4"	1
8	84251	FUEL SHUT OFF, 1-1/2" SOLENOID	1
9	77448	NIPPLE, PIPE 1-1/2" X 3"	1
10	28678	TEE, 1-1/2" NPT	1
11	90159	NIPPLE, PIPE 1-1/2" NPT X 13"	1
12	67729	COUPLING, PIPE 1-1/2" NPT	1
13	27024	PLUG, PIPE 1-1/2" NPT	1
14	90891	BUSHING, RED 1-1/2" X 1" NP	1
15	25438	NIPPLE, PIPE 1" NPT X CLOSE	1
16	49663	CONNECTOR, HOSE	2
17	61903B	FUEL LINE, LPG	1
18	33930	ELBOW, 90 deg, PIPE 1/4" NPT	1
19	26942	NIPPLE, 1/4" NPT X CLOSE PIPE	1
20	90148	FUEL LOCKOFF, VACUUM	1
21	90882	BRACKET, FUEL LOCKOFF	1
22	61903J	FUEL LINE, LPG	1
23	69598	ADAPTOR, BULK HEAD	1
24	51597	PLUG, PIPE	1
25	28414	STRAIGHT FITTING 1/4" I.D. X 1/8" NPT	1
26	40173	CLAMP, HOSE	2
27	74995	HOSE, 1/4" I.D. VACUUM	67.5"
28	28740	90 deg BRBD 1/4" I.D. X 1/8" NPT	1
29	90833	BRACKET, REGULATOR	1
30	34339	FITTING, BARBED 90 deg. ELBOW 3/8" 2 NPT X 5/8" HOSE	2
31	57823	CLAMP, HOSE	8
32	50967	HOSE, HEATER 5/8" I.D.	60.5"
33	50967	HOSE, HEATER 5/8" I.D.	110.0"
34	44118	BARBED FITTING, STRAIGHT 1/2" NPT X 5/8" I.D.	1
35	30419	ELBOW, 90deg. 1/2" NPT	1
36	39413	NIPPLE, PIPE 1/2" X 2"	1
37	90165	"Y" CONNECTOR, HOSE	1
38	59057	HOSE, HEATER 3/4" I.D.	4-1/2"
39	59057	HOSE, HEATER 3/4" I.D.	11-1/2"
40	22287	CAPSCREW, HEX HD. 1/4-20 X 3/4"	2
41	55934D	CLAMP, HOSE	3
42	57648	CLAMP, HOSE	1
43	84725	CONNECTOR, HUMP HOSE	1
44	58612	CLAMP, HOSE	2
45	90028	TUBE, AIR INTAKE	1
46	84288	CLEANER, AIR	1
47	84289	CLAMPS, AIR CLEANER	2
48	90029	BRACKET, AIR CLEANER	1
49	29333A	WRAP, TIE	2
50	49814	CAPSCREW, HEX HEAD M10-1.5 X 25mm LONG	4
51	22131	WASHER, FLAT M10	4
52	46526	WASHER, LOCK M10	4
53	45772	NUT, HEX HEAD M10-1.5	4
54	43107	CAPSCREW, HEX HD M8-1.25 X 25mm	5
55	22145	WASHER, FLAT M8	6
56	22129	WASHER, LOCK M8	6
57	45771	NUT, HEX M8-1.25	5
58	42907	CAPSCREW, HEX HD M8-1.25 X 16mm	1

LPG LIQUID CARBURETOR AND RELATED PARTS (CONT.)

REFERENCE#	GENERAC#	DESCRIPTION	QTY
59	51573	CAPSCREW, HEX HD M6-1.00 X 40mm	2
60	22473	WASHER, FLAT M6	2
61	22097	WASHER, LOCK M6	10
62	49813	NUT, HEX M6-1.0	2
63	47411	CAPSCREW, HEX HD M6-1.00 X 16mm	6

NATURAL GAS TURBOCHARGER / CARBURETOR ASSEMBLY



NATURAL GAS TURBOCHARGER / CARBURETOR ASSEMBLY

REFERENCE#	GENERAC#	DESCRIPTION	QTY
1	64966	TURBOCHARGER	1
2	88937	ADAPTER, TURBO MOUNTING	1
3	71265	HOSE, TURBO CONNECTOR	4
4	88895	ADAPTER, CARBURETOR MIXER	1
5	88896	GASKET, CARBURETOR MIXER	2
6	82592	CARBURETOR	1
7	84725	CONNECTOR, HUMP HOSE	1
8	88897	TUBE, AIR CLEANER	1
9	84289	CLAMPS, AIR CLEANER	2
10	84288	CLEANER, AIR	1
11	88898	BRACKET, AIR CLEANER	1
12	88900	PIPE, 1-1/4" NPT X 13.5 LONG	1
13	62091	ELBOW, 90 deg. 1-1/4" NPT PIPE	1
14	88903	BUSHING, REDUCER 1-1/4" X 1-1/2" NPT	1
15	84252	REGULATOR, FUEL, 1-1/2"	1
16	88901	PIPE, 1-1/2" NPT X 6" LONG	1
17	35480	U-BOLT & SADDLE CLAMP	2
18	84251	SOLENOID, 1-1/2 NPT FUEL SHUTOFF	1
19	86915	BRACKET, SUPPORT	1
20	89616	BRACKET, SUPPORT	1
21	64989	CLAMP, MANIFOLD, V-BAND	1
22	66730	CONNECTION, EXHAUST	1
23	59660	ADAPTOR, OIL INLET FLANGE	1
24	86133E	CLAMP, HIGH TORQUE HOSE	2
25	57648	CLAMP, HOSE	1
26	58612	CLAMP, HOSE	2
27	36291	CAPSCREW SOC. HD. 5/16-18 X 1"	4
28	22129	WASHER, LOCK 5/16-M8	17
29	22145	WASHER, FLAT 5/16- M8	13
30	22259	NUT, HEX 5/16-18	4
31	49814	CPSCRW, HEX HD. M10-1.5mm X 25mm	8
32	22131	WASHER, FLAT M10	6
33	46526	WASHER, LOCK M10	10
34	45772	NUT, HEX M10 X 1.5	6
35	42909	CPSCRW, HEX HD. M8-1.25 X 40mm	4
36	83089	STUD, M8-1.25 X 40mm	4
37	45771	NUT, HEX M8-1.25	4
38	64973	GASKET, OIL INLET FLANGE	1
39	79922	STUD, M10-1.5 HIGH TEMP	8
40	88510	NUT, HEX S.S. M10-1.5	14
41	62303	ADAPTOR 1/4" NPT TO 3/8" NPT	1
42	64965	ELBOW, 90 deg ADAPTOR	2
43	64964	LINE, YURBO OIL INLET	1
44	55934C	CLAMP, HOSE	1
45	57642	CPSCRW, HX HD. M10-1.5 X 40mm	1
46	22500A	SPACER	1
47	57192	SOC. HD. CPSCRW M10-1.5 X 30mm	2
48	64974	GASKET, OIL OUTLET FLANGE	1
49	90517	TUBE, TURBO OIL FLANGE	1
50	88963	NIPPLE, 1-1/4" NPT X 5.5" LONG PIPE	1
51	59995	FLANGE, OIL RETURN	1
52	59957	FITTING, BERB STRT 3/4" NPT X 3/4"	1
53	57822	CLAMP, HOSE	2
54	55934M	CLAMP	1
55	52242	SPACER	1
56	42914	CPSCRW, HX HD. M8-1.25 X 90mm	1
57	59983	CPSCRW, HX HD M14-2.0 X 110mm	2
58	43123	WASHER, LOCK	2
59	90516	SPACER	2
60	59660	FLANGE, OIL INLET	1

