

Repair Parts MANUAL

1.0 Liter

DIESEL ENGINE

GENERAC

P. O. Box 8
PHONE: (414) 544-4811

Waukesha, WI 53187
FAX: (414) 544-4851

Table of Contents

Quick Reference Parts Guide	Page One
Engine Common Parts	Page Two, Three
Cylinder Block	Page Four
Main Moving Parts	Page Five
Camshaft	Page Six
Timing Gear Housing & Governor	Page Seven
Oil Pump Parts	Page Eight
Water Pump	Page Nine
Fuel Injection Pump	Page Ten
Cylinder Head	Page Eleven
Rocker Arm Assembly	Page Twelve
Top Cover, Oil Pan & Starter Motor	Page Thirteen
Fuel Supply Parts	Page Fourteen
Starter Motor Parts	Page Fifteen
DC Alternator Parts	Page Sixteen

QUICK REFERENCE PARTS GUIDE

Tune-Up Parts

DESCRIPTION	PART NO.	QTY
Oil Filter	126-70939	1
Fuel Filter	69858	1
Air Filter	70941	1
V-Belt	46233	1
Glow Plug	332-70939	3

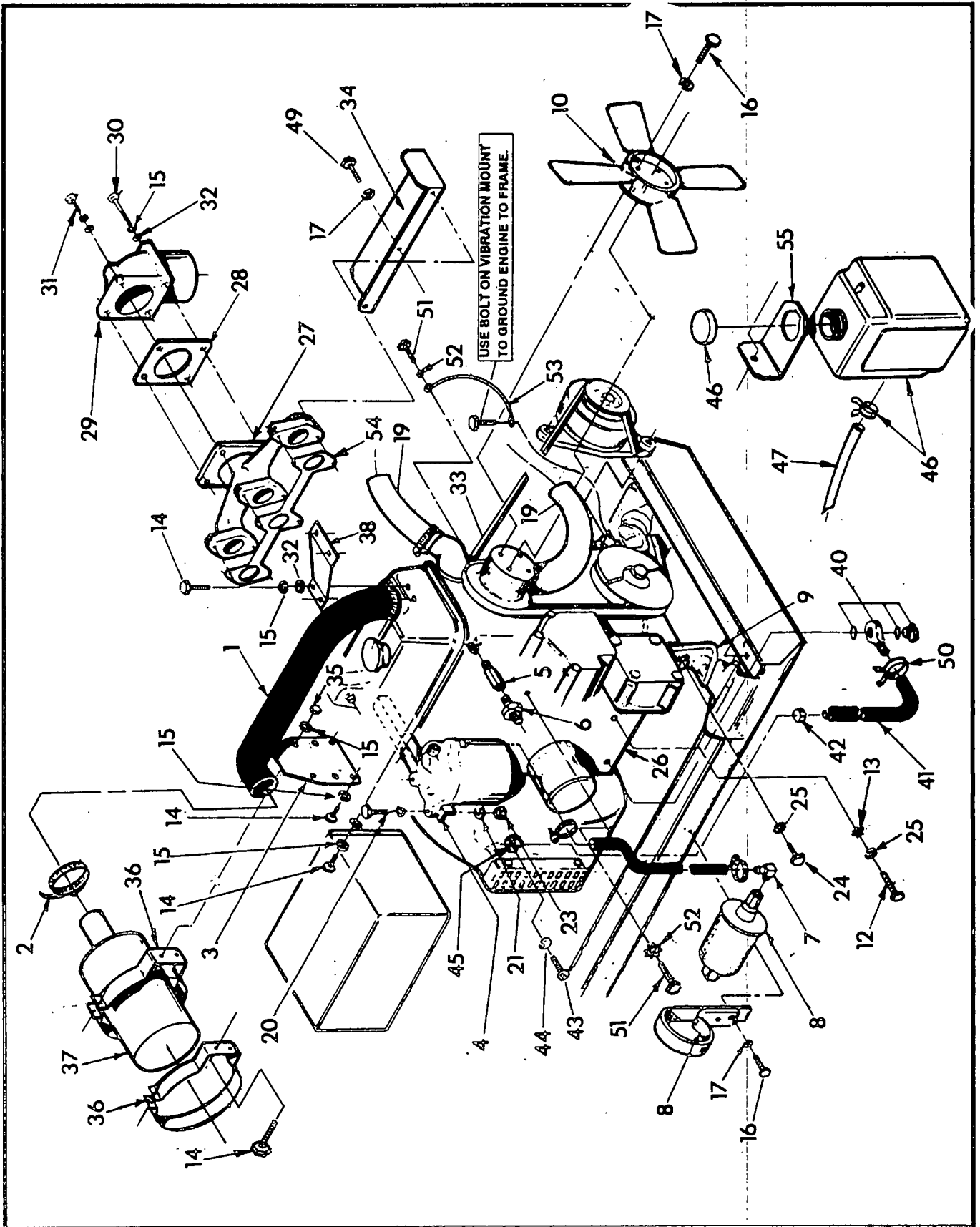
Engine Parts

DESCRIPTION	PART NO.	QTY
Fuel Injector	325-70939	3
Piston Assembly- STD	214-70939	3
Piston Ring Set- STD	211-70939	3
Valve Lifter (Tappet)	127-70939	6
Rear Main Seal	123-70939	1
Connecting Rod Bearing- STD	223-70939	6
Lower Main Bearing- STD	202-70939	3
Upper Main Bearing- STD	205-70939	3
Camshaft Assembly	232-70939	1

Torque Specifications

Connecting Rod Bearing Cap	
Foot-Pounds.....	22-25
m-kg.....	3.0-3.5
Main Bearing Holders	
Foot-Pounds.....	18-22
m-kg.....	2.5-3.0
Flywheel Cover	
Foot-Pounds.....	34-40
m-kg.....	4.7-5.5
Flywheel	
Foot-Pounds.....	43-51
m-kg.....	6.0-7.0
Suction Filter	
Foot-Pounds.....	7.0-9.0
m-kg.....	0.9-1.3
Camshaft Plate	
Foot-Pounds.....	7-9
m-kg.....	0.9-1.3
Crankshaft Pulley	
Foot-Pounds.....	72-80
m-kg.....	10-11
Oil Pipe Eyebolts	
Foot-Pounds.....	7-9
m-kg.....	1.0-1.3
Cylinder Head	
Foot-Pounds.....	33-36
m-kg.....	4.5-5.0
Rocker Arm Assembly	
Foot-Pounds.....	15-18
m-kg.....	2.0-2.5
Cylinder Head Cover	
Foot-Pounds.....	6-8
m-kg.....	0.8-1.2
Fuel Injection Pipes	
Foot-Pounds.....	18-22
m-kg.....	2.5-3.0
Injection Nozzle Holders	
Foot-Pounds.....	58-61
m-kg.....	8.0-8.5

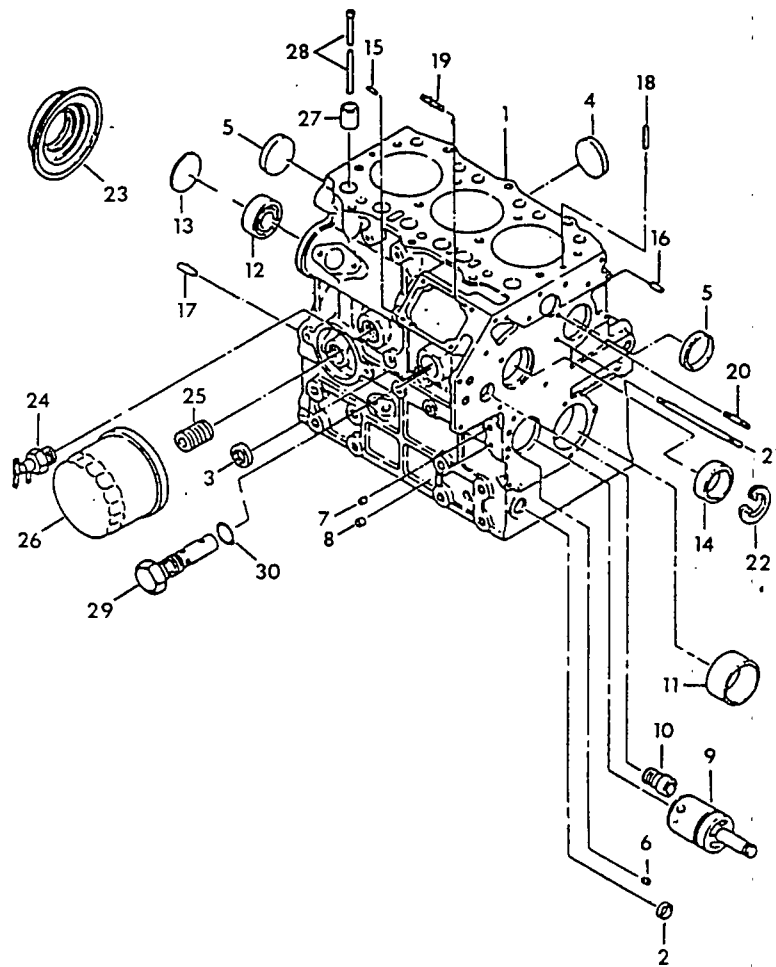
ENGINE COMMON PARTS



ENGINE COMMON PARTS

ITEM	PART NO.	QTY	DESCRIPTION
1	74856	1	Engine Air Hose
2	69859	2	Hose Clamp
3	77058	1	Lifting Bracket
4	72564	1	Fuel Filter Bracket
5	42574	1	Adapter- 1/8" NPTF x 1/8"-28
6	60108	1	Oil Pressure Switch- 15 psi
7	49340	1	Barbed 90° Fitting- 3/8" x 1/4" NPT
8	74024	1	Fuel Pump Assembly
9	72501	2	Engine Mount
10	77910	1	Fan
12	74071	1	Bolt- M12-1.25 x 20mm
13	74080	1	External Lockwasher- M12
14	72580	8	Hex Head Capscrew- M8-1.25 x 20mm
15	72545	13	Lockwasher- M8
16	72513	2	Hex Head Capscrew- M6-1.00 x 16mm
17	70005	8	Lockwasher- M6
19	74855	2	Radiator Hose
20	74069	2	Hex Head Capscrew- M10-1.50 x 40mm
21	74008	2	Lockwasher- M10
23	74009	2	Hex Nut- M10-1.50
24	74070	4	Hex Head Capscrew- M'12-1.25 x 40mm
25	74018	5	Lockwasher- M12
26	70939	1	Engine Assembly- 1.0 Liter Diesel
27	75673	1	Exhaust Manifold
28	75674	1	Exhaust Manifold Gasket
29	62798	1	Exhaust Manifold Elbow
30	72541	2	Hex Head Capscrew- M8-1.25 x 90mm
31	72586	2	Hex Head Capscrew- M8-1.25 x 25mm
32	74013	2	Flatwasher- M8
33	46233	1	V-Belt
34	75692	1	Heat Shield
35	72540	4	Hex Nut- M8-1.25
36	77078-A	2	Air Filter Bracket
37	77078-B	1	Air Filter
38	77707	1	Engine to Radiator Support
40	72573	1	Oil Drain Fitting
41	69860-B	1	Hose
42	69811	1	Cap
43	71912	1	Screw- M5-0.80 x 8mm
44	74042	1	Lockwasher
45	65852	1	Spring Clip
46	76749	1	Coolant Recovery Bottle
47	29032	1	Hose- 5/16" ID x 4' long
49	45757	6	Hex Head Capscrew- M6-1.00 x 25mm
50	70928	1	Clamp
51	74045	2	Hex Head Capscrew- M8-1.25 x 15mm
52	74044	2	External Lockwasher- M8
53	75778	1	Ground Wire Assembly
54	357-70939	1	Exhaust Gasket
55	80712	1	Coolant Recovery Bottle Bracket

CYLINDER BLOCK

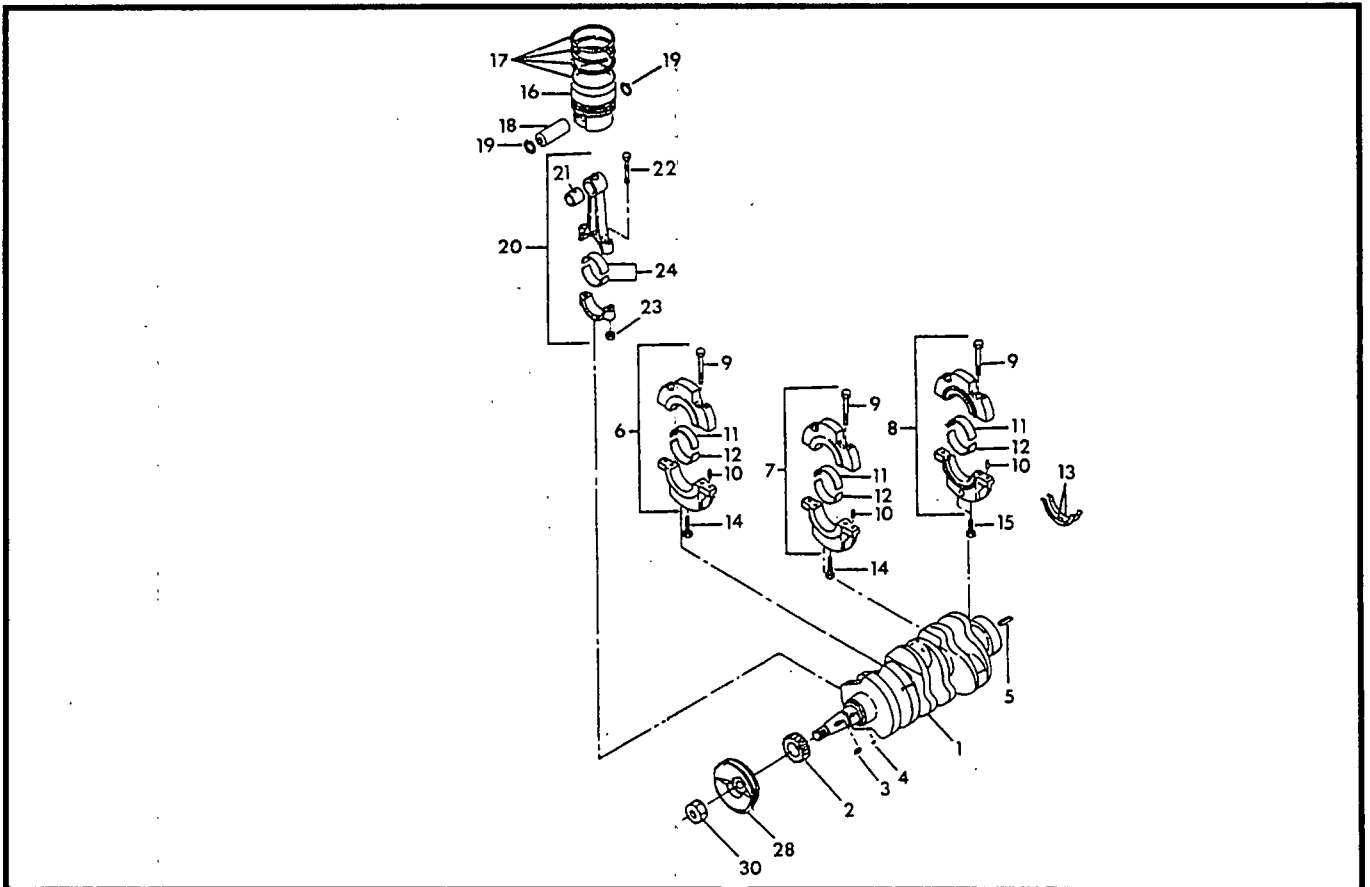


ITEM	PART NO.	QTY	DESCRIPTION	ITEM	PART NO.	QTY	DESCRIPTION
1	100-70939	1	Cylinder Block	16	116-70939	2	Dowel Pin
2	447-70939	1	Expansion Plug	17	117-70939	2	Dowel Pin
3	101-70939	1	Expansion Plug	18	118-70939	2	Spring Pin
4	102-70939	2	Expansion Plug	19	119-70939	2	Stud
5	103-70939	2	Expansion Plug	20	120-70939	1	Stud
6	104-70939	1	Expansion Plug	21	121-70939	1	Stud
7	105-70939	4	Plug	22	131-70939	1	Snap Ring
8	106-70939	4	Plug	23	123-70939	1	Oil Seal
9	107-70939	1	Idler Gear Shaft	24	124-70939	1	Drain Cock
10	108-70939	1	Bushing	25	125-70939	1	Connector
11	109-70939	1	Bushing- STD	26	126-70939	1	Oil Filter
	110-70939	1	Bushing- 0.25mm US	27	127-70939	6	Tappet
	111-70939	1	Bushing- 0.50mm US	28	128-70939	6	Push Rod
12	112-70939	1	Ball Bearing	29	129-70939	1	Relief Valve
13	113-70939	1	Expansion Plug	30	130-70939	1	O-Ring
14	114-70939	1	Ball Bearing				
15	115-70939	2	Dowel Pin				

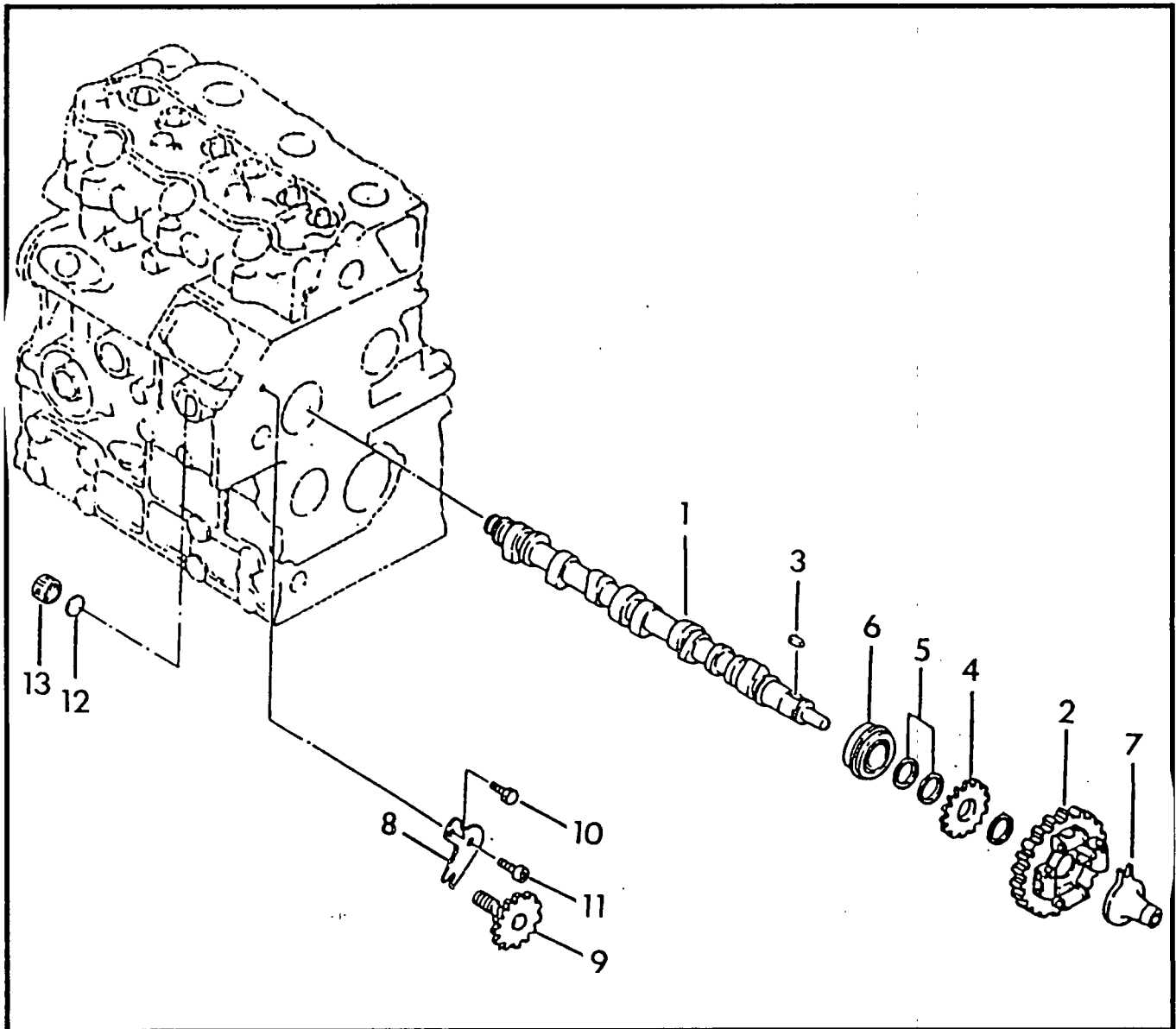
MAIN MOVING PARTS

ITEM	PART NO.	QTY	DESCRIPTION	ITEM	PART NO.	QTY	DESCRIPTION
1	143-70939	1	Crankshaft Assembly	15	210-70939	2	Bolt
2	194-70939	1	Crankshaft Gear	16	214-70939	3	Piston- STD
3	195-70939	1	Key		215-70939	3	Piston- 0.50mm OS
4	196-70939	1	Dowel Pin		216-70939	3	Piston- 1.00mm OS
5	226-70939	1	Spring Pin	17	211-70939	AR	Piston Rin Set- STD
6	197-70939	1	Bearing Holder		212-70939	AR	Piston Ring Set- 0.5mm OS
7	200-70939	1	Bearing Holder		213-70939	AR	Piston Ring Set 1.00mm OS
8	664-70939	1	Bearing Holder	18	217-70939	3	Piston Pin
9	198-70939	6	Bolt	19	218-70939	6	Snap Ring
10	199-70939	6	Dowel Pin	20	219-70939	3	Connecting Rod
11	202-70939	3	Bearing- STD	21	220-70939	3	Bushing
	203-70939	AR	Bearing- 0.25mm US	22	221-70939	6	Connecting Rod Bolt
	204-70939	AR	Bearing- 0.50mm US	23	222-70939	6	Nut for Rod Bolt
12	205-70939	3	Bearing- STD	24	223-70939	6	Bearing- STD
	206-70939	AR	Bearing- 0.25mm US		224-70939	AR	Bearing- 0.25mm US
	207-70939	AR	Bearing- 0.50mm US		225-70939	AR	Bearing- 0.50mm US
13	208-70939	2	Thrust Washer	28	230-70939	1	Pulley
14	204-70939	2	Bolt	30	231-70939	1	Nut

US = UNDERSIZE
 OS = OVERSIZE
 AR = AS REQUIRED
 mm = Millimeter

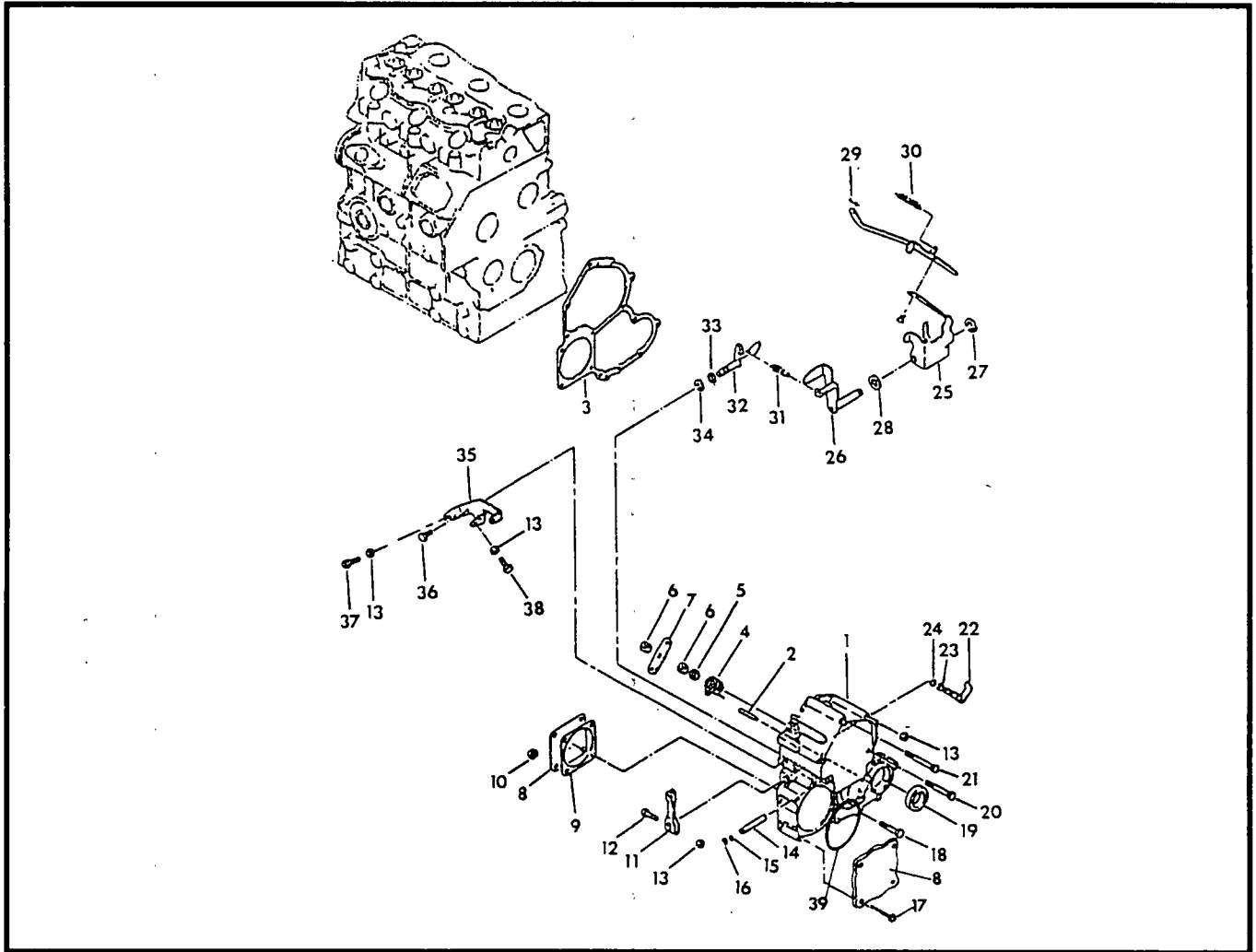


CAMSHAFT



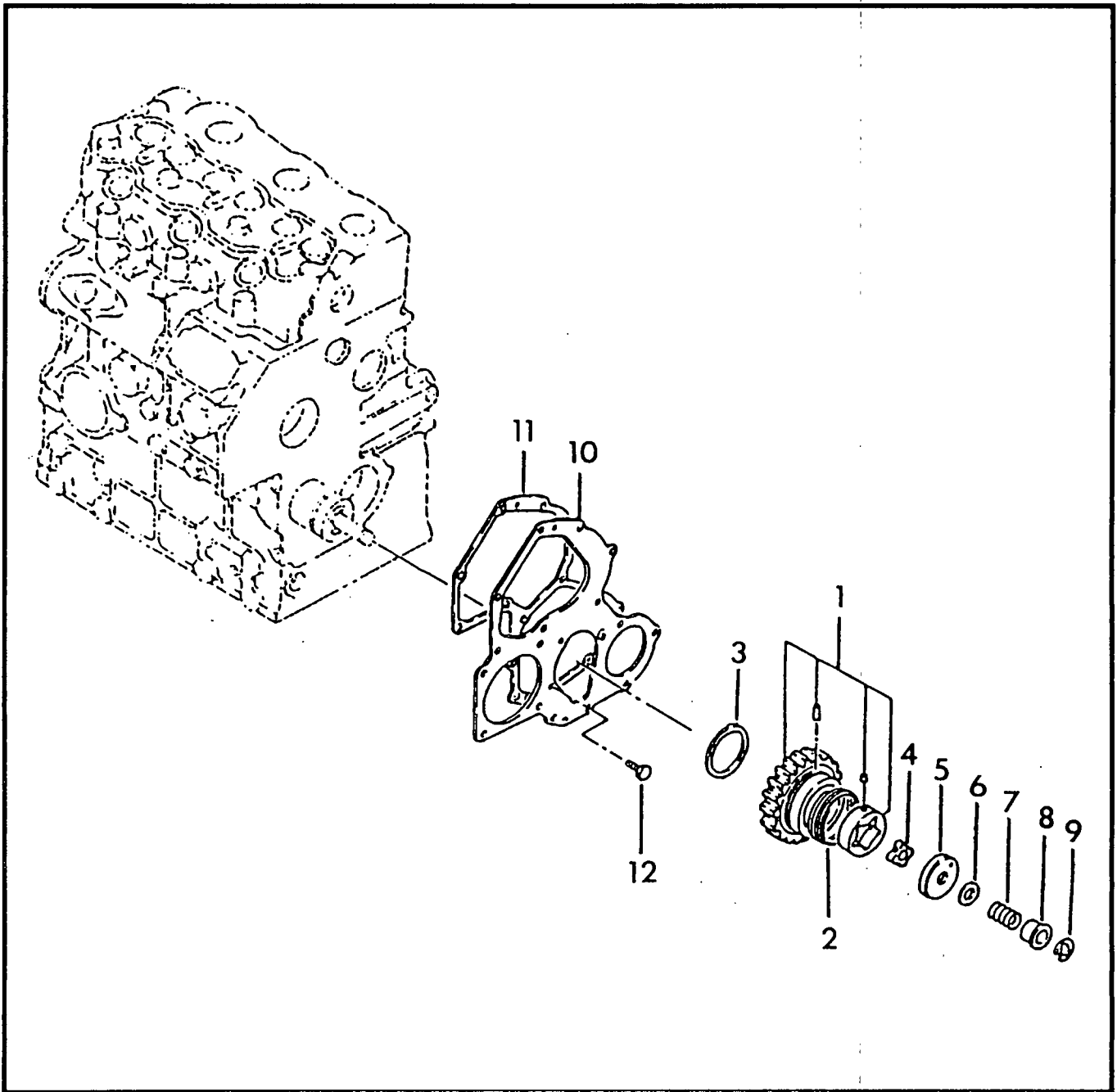
ITEM	PART NO.	QTY	DESCRIPTION
1	232-70939	1	Camshaft Assembly
2	233-70939	1	Camshaft Gear
3	195-70939	1	Key
4	234-70939	1	Gear
5	235-70939	3	Spacer
6	236-70939	1	Ball Bearing
7	237-70939	1	Slider
8	238-70939	1	Plate
9	239-70939	1	Tachometer Shaft
10	240-70939	1	Bolt
11	241-70939	1	Bolt
12	242-70939	1	Gasket
13	243-70939	1	Nut

TIMING GEAR HOUSING & GOVERNOR



ITEM	PART NO.	QTY	DESCRIPTION	ITEM	PART NO.	QTY	DESCRIPTION
1	285-70939	1	Timing Gear Housing	21	311-70939	5	Bolt
2	286-70939	1	Spring Pin	22	304-70939	1	Arm
3	287-70939	1	Gasket	23	305-70939	1	Snap Ring
4	307-70939	1	Spring	24	306-70939	1	O-Ring
5	308-70939	1	Washer	25	289-70939	1	Governor Lever Assy.
6	309-70939	2	Nut	26	290-70939	1	Tension Lever
7	310-70939	1	Stop Lever	27	291-70939	1	Snap Ring
8	314-70939	2	Cover	28	136-70939	1	Washer
9	315-70939	1	Gasket	29	292-70939	1	Cotter Pin
10	180-70939	4	Nut	30	313-70939	1	Spring
11	296-70939	1	Governor Lever	31	293-70939	1	Spring
12	297-70939	1	Bolt	32	294-70939	1	Arm
13	298-70939	4	Nut	33	295-70939	1	O-Ring
14	299-70939	1	Shaft	34	291-70939	1	Snap Ring
15	300-70939	1	O-Ring	35	302-70939	1	Bracket
16	301-70939	1	Snap Ring	36	271-70939	3	Bolt
17	312-70939	4	Bolt	37	303-70939	2	Bolt
18	282-70939	5	Bolt	38	71944	1	Screw
19	288-70939	1	Oil Seal	39	660-70939	1	O-Ring
20	274-70939	4	Bolt				

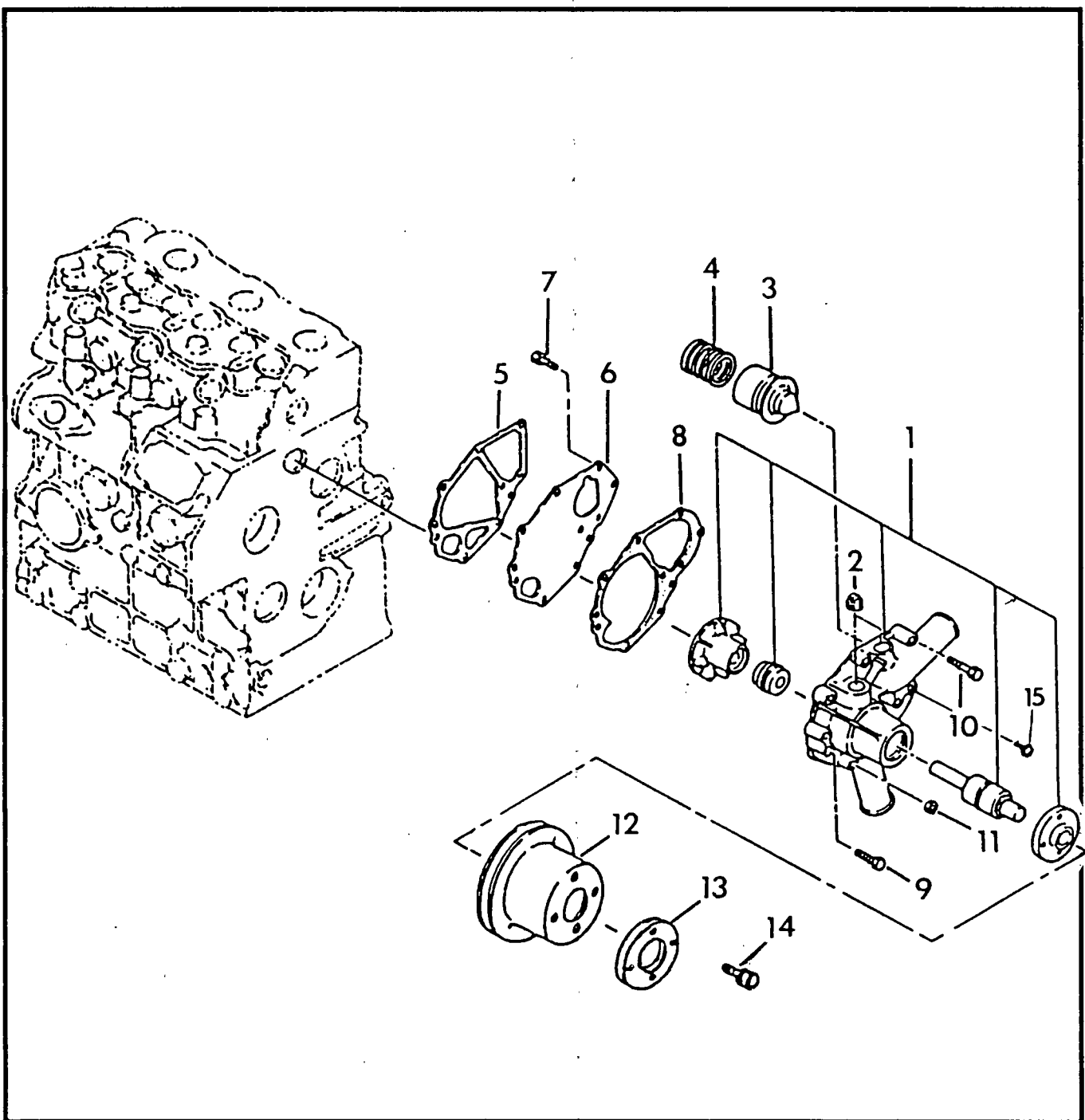
OIL PUMP PARTS



ITEM	PART NO.	QTY	DESCRIPTION	ITEM	PART NO.	QTY	DESCRIPTION
1	250-70939	1	Idler Gear Assembly	7	259-70939	1	Spring
2	252-70939	1	Spring	8	260-70939	1	Collar
3	251-70939	1	Thrust Washer	9	261-70939	1	Snap Ring
4	253-70939	1	Rotor	10	262-70939	1	Front Plate
5	254-70939	1	Oil Pump Cover	11	263-70939	1	Gasket
6	255-70939	AR	Shim- 0.1mm	12	264-70939	3	Bolt
	531-70939	AR	Shim- 0.15mm				
	532-70939	AR	Shim- 0.20mm				
	258-70939	AR	Shim- 0.50mm				

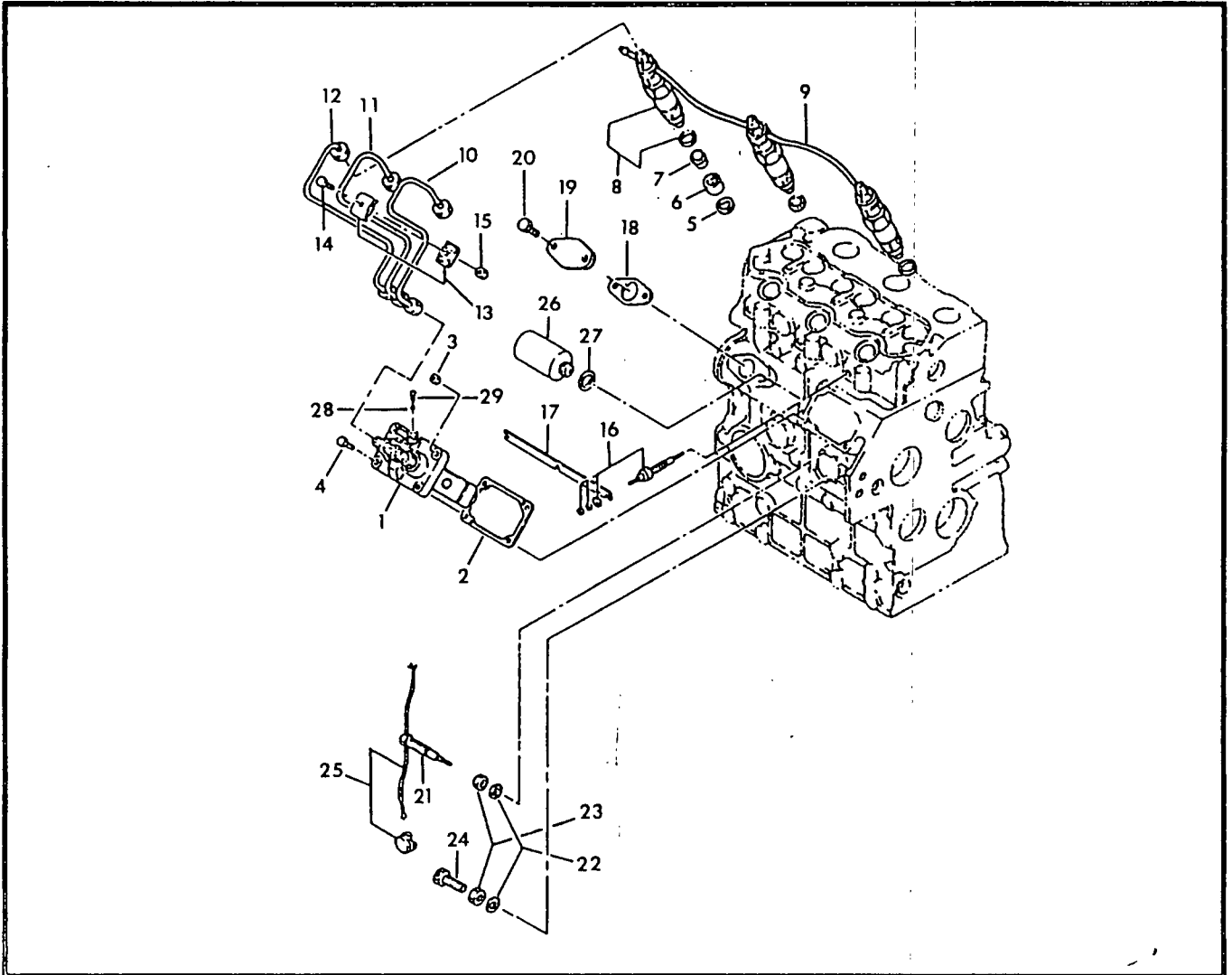
AR = As Required
mm = millimeter

WATER PUMP



ITEM	PART NO.	QTY	DESCRIPTION	ITEM	PART NO.	QTY	DESCRIPTION
1	265-70939	1	Water Pump Assembly	9	273-70939	4	Bolt
2	266-70939	2	Plug	10	274-70939	1	Bolt
3	267-70939	1	Thermostat	11	275-70939	1	Nut
4	268-70939	1	Spring	12	247-70939	1	Pulley
5	269-70939	1	Gasket	13	248-70939	1	Plate
6	270-70939	1	Set Plate	14	249-70939	4	Bolt
7	271-70939	1	Bolt	15	284-70939	2	Bolt
8	272-70939	1	Gasket				

FUEL INJECTION PUMP

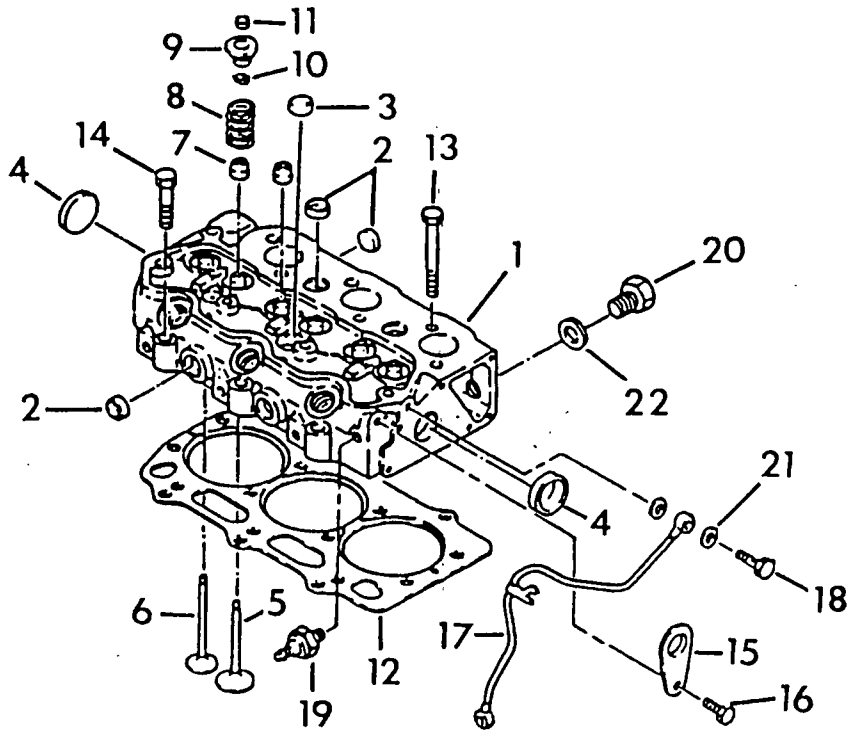


ITEM	PART NO.	QTY	DESCRIPTION	ITEM	PART NO.	QTY	DESCRIPTION
1	316-70939	1	Injection Pump Assembly	16	332-70939	3	Glow Plug
2	317-70939	AR	Shim- 0.2mm	17	333-70939	1	Connector
	318-70939	AR	Shim- 0.3mm	18	334-70939	1	Gasket
	319-70939	AR	Shim- 0.5mm	19	335-70939	1	Cover
	320-70939	AR	Shim- 1.0mm	20	264-70939	2	Bolt
3	298-70939	2	Nut	21	336-70939	1	Sensor
4	321-70939	2	Bolt	22	337-70939	2	Washer
5	322-70939	3	Gasket	23	338-70939	2	Nut
6	323-70939	3	Insert	24	339-70939	1	Bolt
7	324-70939	3	Cap	25	240-70939	1	Lockwire
8	325-70939	3	Injector	26	341-70939	1	Solenoid
9	326-70939	1	Tubing	27	342-70939	1	Washer
10	327-70939	1	Tubing	28	343-70939	1	Washer
11	328-70939	1	Tubing	29	343-70939	1	Washer
12	329-70939	1	Tubing				
13	330-70939	4	Clamp				
14	331-70939	2	Bolt				
15	298-70939	2	Nut				

AR = As Required

mm = Millimeter

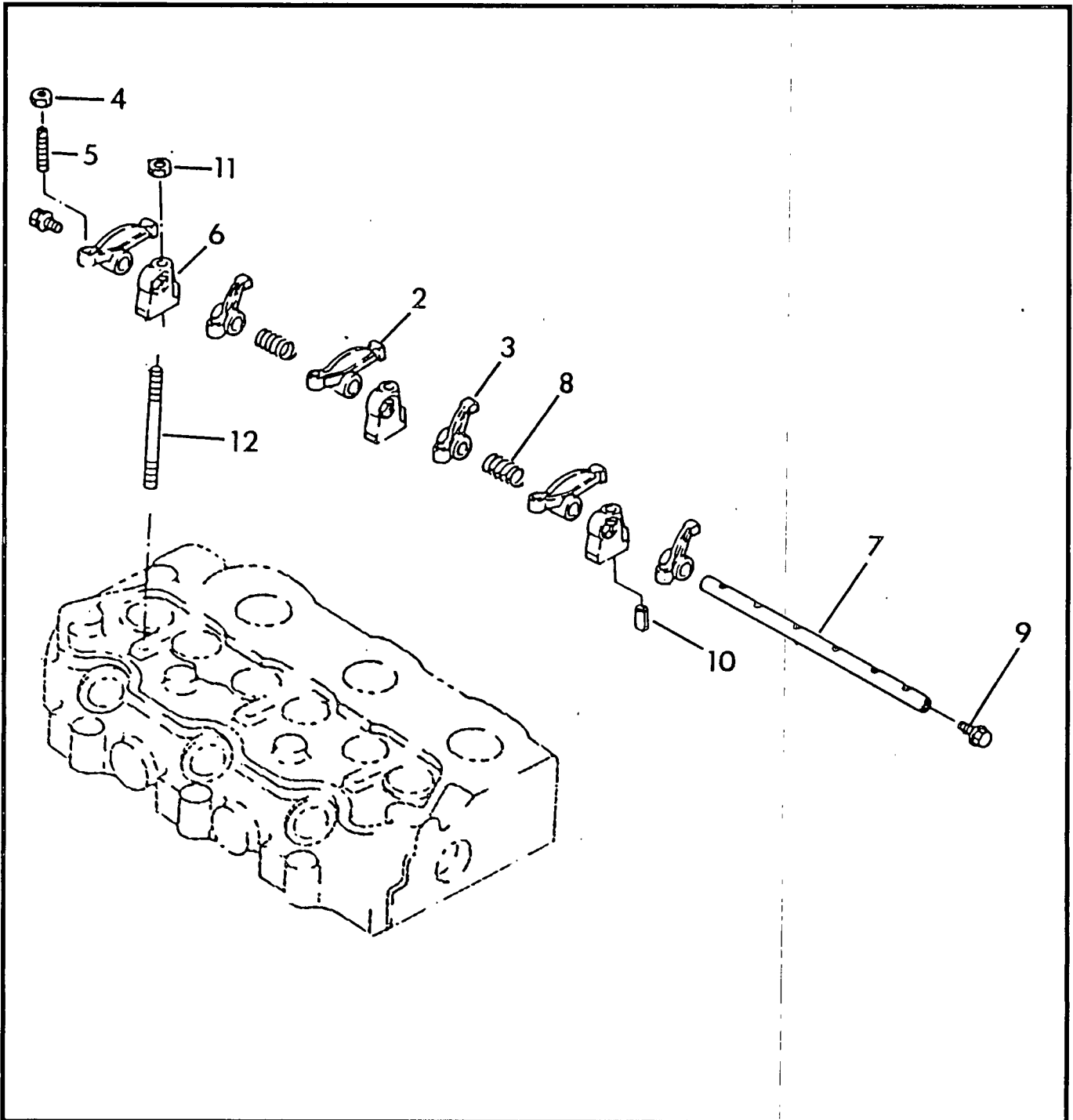
CYLINDER HEAD



ITEM	PART NO.	QTY	DESCRIPTION	ITEM	PART NO.	QTY	DESCRIPTION
1	147-70939	1	Cylinder Head Assy.	12	158-70939	1	Head Gasket- 1.2mm*
2	148-70939	6	Expansion Plug		159-70939	1	Head Gasket- 1.3mm*
3	447-70939	3	Expansion Plug	13	160-70939	11	Bolt
4	149-70939	2	Expansion Plug	14	161-70939	3	Bolt
5	150-70939	3	Intake Valve	15	162-70939	2	Lifting Eye
6	151-70939	3	Exhaust Valve	16	163-70939	2	Bolt
7	152-70939	3	Valve Guide Seal (Exhaust)	17	164-70939	1	Tubing
	153-70939	3	Valve Guide Seal (Intake)	18	165-70939	2	Bolt
8	154-70939	6	Spring	19	60108	1	Oil Pressure Switch
9	155-70939	6	Retainer	20	167-70939	1	Temperature Switch
10	156-70939	12	Key	21	168-70939	4	Gasket
11	157-70939	6	Cap	22	169-70939	1	Washer

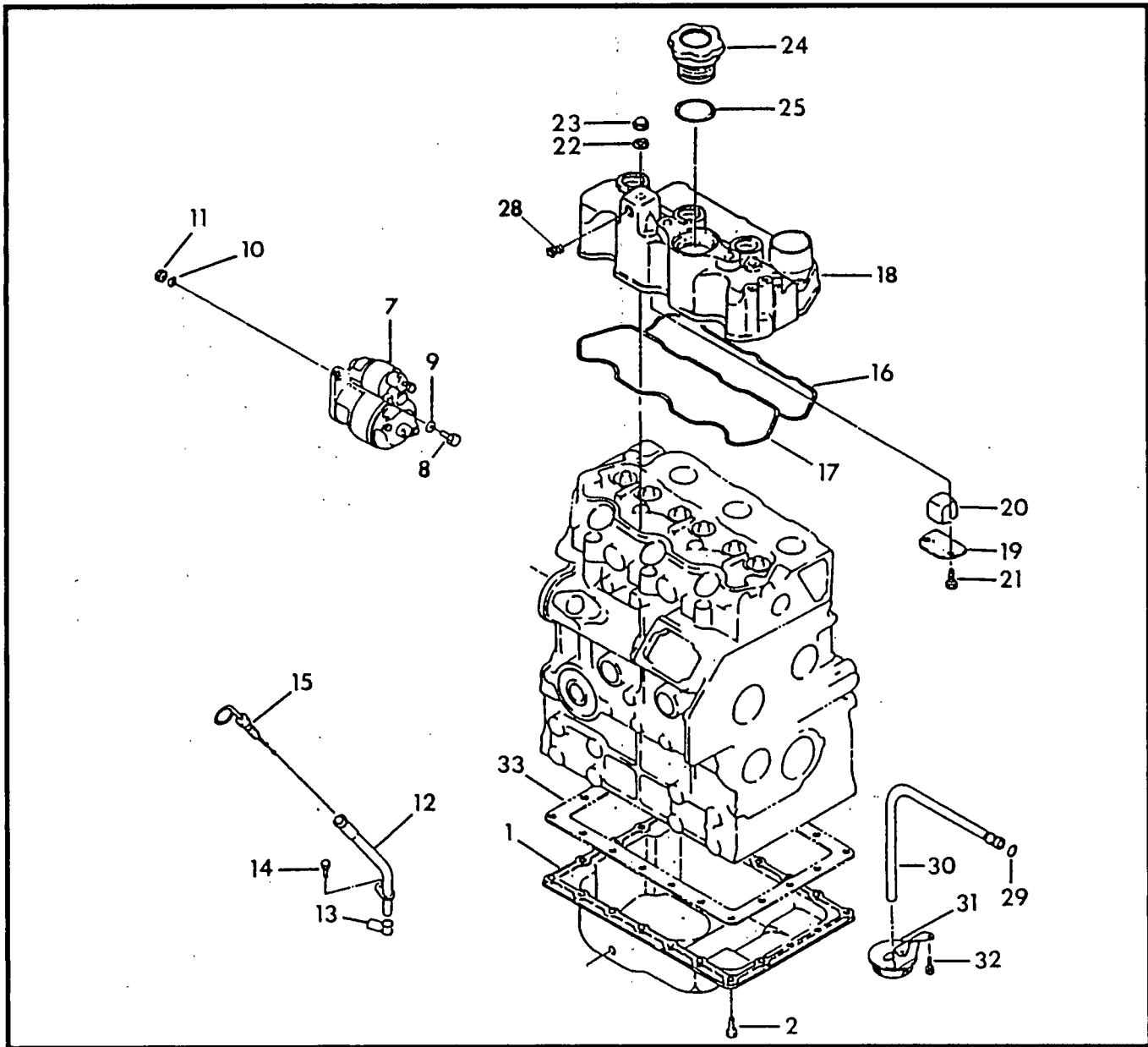
* Indicates thickness of gasket in millimeters.

ROCKER ARM ASSEMBLY



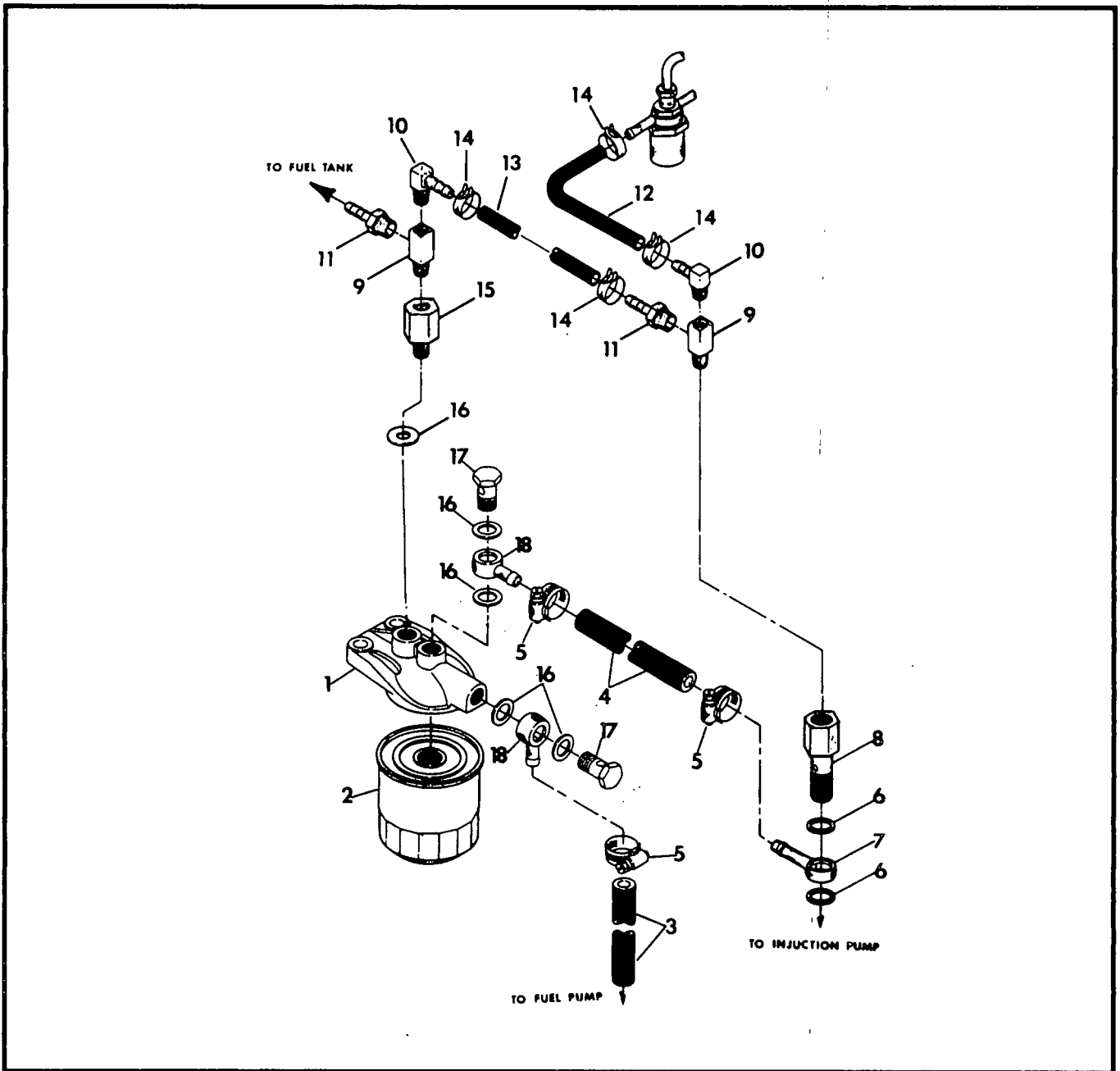
ITEM	PART NO.	QTY	DESCRIPTION	ITEM	PART NO.	QTY	DESCRIPTION
1	170-70939	1	Rocker Arm Assy.	7	176-70939	1	Rocker Arm Shaft
2	171-70939	3	Rocker Arm (Intake)	8	177-70939	2	Spring
3	172-70939	3	Rocker Arm (Exhaust)	9	644-70939	2	Holder
4	174-70939	6	Nut	10	179-70939	1	Spring Pin
5	173-70939	6	Stud	11	180-70939	3	Nut
6	175-70939	3	Rocker Arm Bracket	12	181-70939	3	Stud

TOP COVER, OIL PAN & STARTER MOTOR



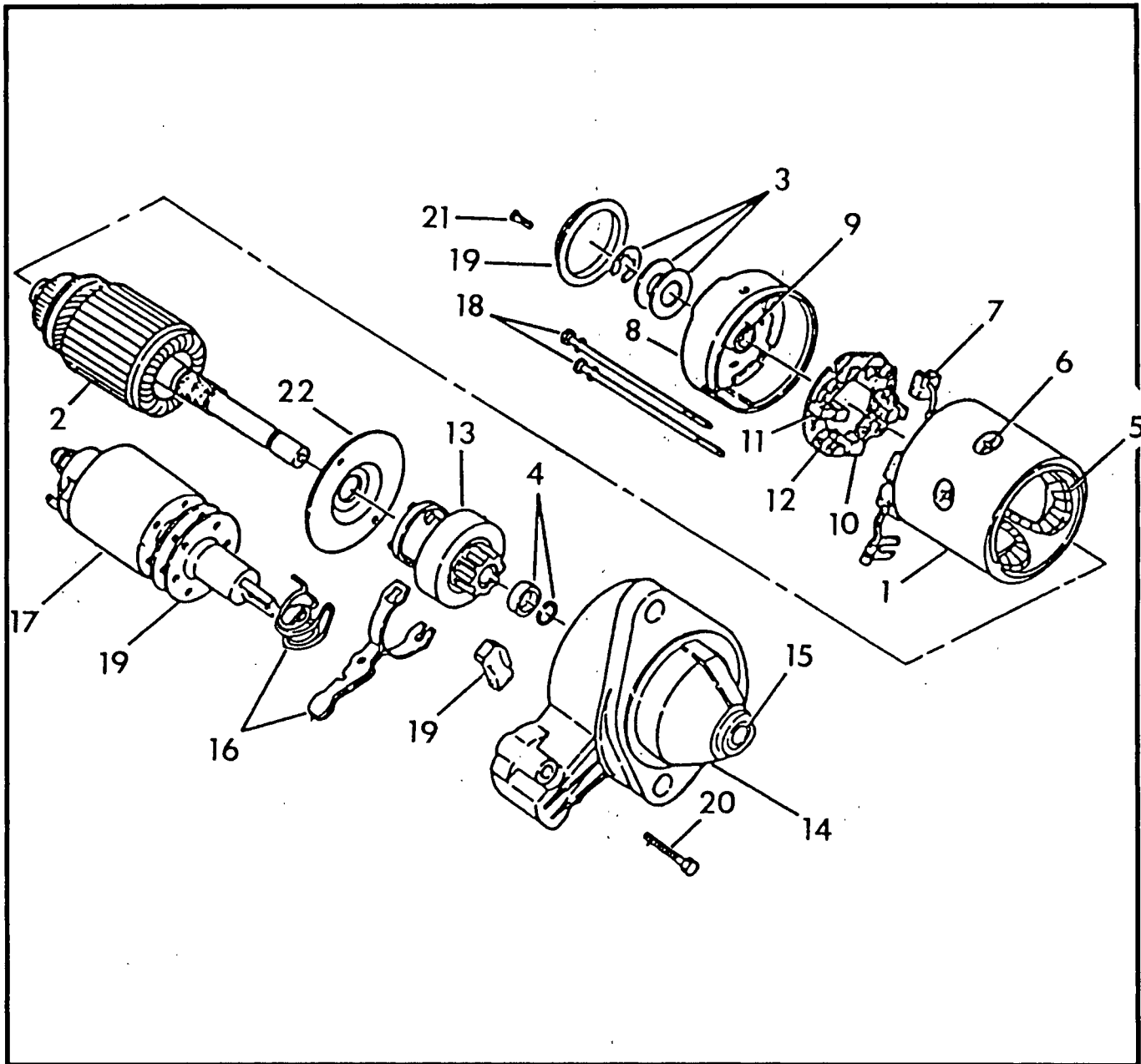
ITEM	PART NO.	QTY	DESCRIPTION	ITEM	PART NO.	QTY	DESCRIPTION
1	139-70939	1	Oil Pan	19	184-70939	1	Rocker Cover
2	140-70939	20	Bolt	20	186-70939	1	Screen
7	134-70939	1	Starter Motor Assy.	21	145-70939	2	Bolt
8	135-70939	2	Bolt	22	168-70939	1	Gasket
9	136-70939	2	Washer	23	187-70939	3	Nut
10	137-70939	2	Lockwasher	24	188-70939	1	Cap
11	138-70939	2	Nut	25	189-70939	1	O-Ring
12	143-70939	1	Dipstick Tube	28	26073-A	1	Pipe Plug- 1/4"
13	144-70939	2	O-Ring	29	244-70939	1	O-Ring
14	145-70939	1	Bolt	30	245-70939	1	Tubing
15	146-70939	1	Dipstick	31	246-70939	1	Suction Filter
16	182-70939	1	Rocker Cover Gasket	32	145-70939	2	Bolt
17	183-70939	1	Rocker Cover Gasket	33	122-70939	1	Gasket

FUEL SUPPLY PARTS



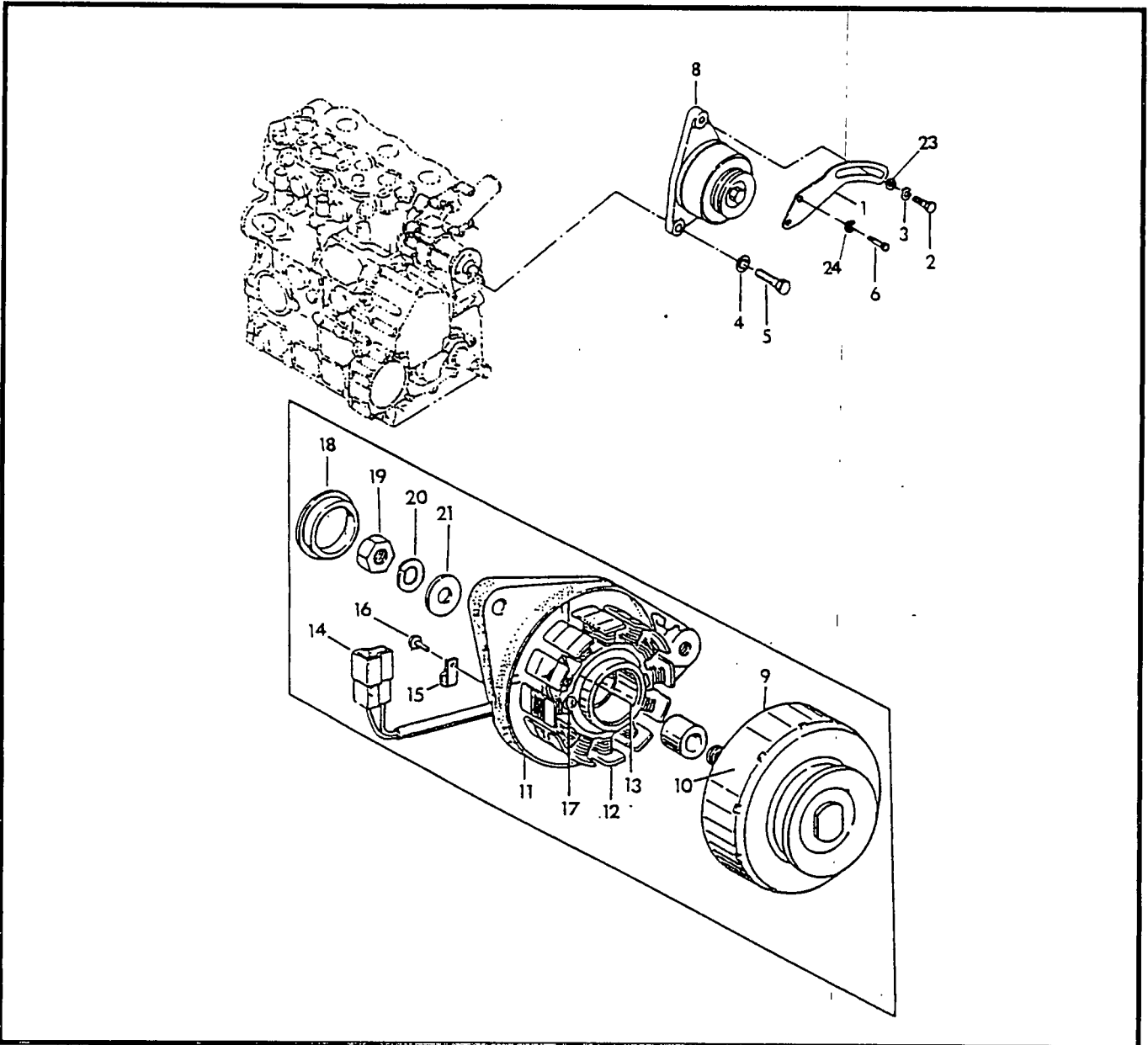
ITEM	PART NO.	QTY	DESCRIPTION	ITEM	PART NO.	QTY	DESCRIPTION
1	661-70939	1	Fuel Filter Support	10	39450	2	Barbed 90° Fitting 1/8" NPT x 3/16"
2	69858	1	Fuel Filter	11	30096	2	Barbed Straight Fitting 1/8" x 3/16"
3	47290	1	Hose- 3/8" ID x 12.5"	12	68736	1	Hose- 3/16" ID x 12"
4	52221	1	Hose- 5/16" ID x 6.5"	13	68736	1	Hose- 3/16" ID x 7.75"
5	40173	4	Hose Clamp	14	48031-B	4	Clamp
6	378-70939	2	Gasket	15	74819	1	Fuel Bleed Fitting
7	379-70939	1	Banjo Fitting	16	651-70939	5	Fuel Bleed Gasket
8	74808	1	Fuel Bleed Fitting	17	662-70939	2	Hollow Bolt
9	52233	2	Brass Tee- 1/8" NPT	18	663-70939	2	Banjo Fitting

STARTER MOTOR PARTS



ITEM	PART NO.	QTY	DESCRIPTION	ITEM	PART NO.	QTY	DESCRIPTION
1	134-70939	1	Starter Motor Assembly	12	521-70939	4	Brush Spring
2	511-70939	1	Armature	13	522-70939	1	Pinion
3	512-70939	1	Thrust Washer Kit	14	523-70939	1	Gear Case Assy.
4	513-70939	1	Pinion Stopper Set	15	524-70939	1	Bushing
5	514-70939	1	Field Coil Assy.	16	525-70939	1	Shift Lever Kit
6	515-70939	4	Pole Core Set Screw	17	526-70939	1	Switch
7	516-70939	2	Brush	18	527-70939	2	Thru-Bolt
8	517-70939	1	Rear Cover	19	528-70939	1	Dust Cover Kit
9	518-70939	1	Bushing	20	529-70939	2	Bolt
10	519-70939	1	Brush Holder	21	530-70939	2	Screw
11	520-70939	2	Brush	22	531-70939	1	Center Plate

DC ALTERNATOR PARTS



ITEM	PART NO.	QTY	DESCRIPTION	ITEM	PART NO.	QTY	DESCRIPTION
1	77909	1	Adjustment Bracket	13	349-70939	1	Bearing
2	74829	1	Bolt- M8-1.25 x 30mm	14	352-70939	1	Coupler
3	72545	1	Lockwasher	15	353-70939	1	Clamp
4	74007	1	Flatwasher- M10	16	354-70939	1	Screw
5	74069	1	Bolt- M10-1.50 x 40mm	17	355-70939	2	Screw
6	51753	2	Bolt- M6-1.00 x 40mm	18	350-70939	1	Cap
8	277-70939	1	Alternator Assembly	19	351-70939	1	Nut
9	345-70939	1	Flywheel	20	137-70939	1	Lockwasher
10	349-70939	1	Bearing	21	280-70939	1	Washer
11	346-70939	1	Alternator Plate Assy.	22	356-70939	1	Collar
12	348-70939	1	Stator	23	74827	1	Flatwasher- M8
				24	70005	2	Lockwasher- M6