

PB16500D

GENERAC[®]
POWER SYSTEMS, INC.

16.0

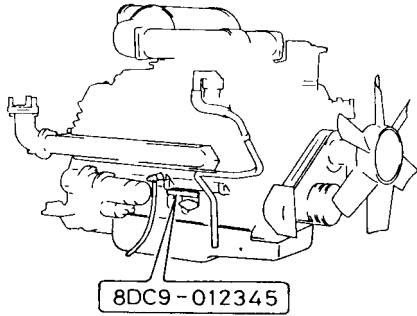
LITER

D I E S E L

ENGINE
PARTS
MANUAL

16.0L DIESEL ENGINE BUILD DATES

The engine number is stamped on the cylinder block at the location shown in the following illustration.



The from-up to numbers found in some part descriptions in this manual indicate the date of beginning the production of the engine incorporating the applicable part and that of ending its production.

(Example)

TO 9904-3
 Built to late April 1999
 (1: early 2: middle 3: late)

Year - Month	Jul - 88	Aug - 88	Sep - 88	Oct - 88	Nov - 88	Dec - 88
Engine No.	326758	328667	330245	331850	333028	334475

Year - Month	Jul - 94	Aug - 94	Sep - 94	Oct - 94	Nov - 94	Dec - 94
Engine No.	421889	422740	423541	425188	426376	427894

Year - Month	Jan - 89	Feb - 89	Mar - 89	Apr - 89	May - 89	Jun - 89
Engine No.	335892	337262	337491	340491	342100	342758

Year - Month	Jan - 95	Feb - 95	Mar - 95	Apr - 95	May - 95	Jun - 95
Engine No.	429535	430940	432636	434177	435329	435857

Year - Month	Jul - 89	Aug - 89	Sep - 89	Oct - 89	Nov - 89	Dec - 89
Engine No.	344835	345944	347890	349617	350626	352279

Year - Month	Jul - 95	Aug - 95	Sep - 95	Oct - 95	Nov - 95	Dec - 95
Engine No.	436053	436180	436296	436418	436547	436735

Year - Month	Jan - 90	Feb - 90	Mar - 90	Apr - 90	May - 90	Jun - 90
Engine No.	353942	355064	346699	358233	359738	361291

Year - Month	Jan - 96	Feb - 96	Mar - 96	Apr - 96	May - 96	Jun - 96
Engine No.	436945	437222	437476	437879	438299	438506

Year - Month	Jul - 90	Aug - 90	Sep - 90	Oct - 90	Nov - 90	Dec - 90
Engine No.	362752	365285	365989	368378	369209	372166

Year - Month	Jul - 96	Aug - 96	Sep - 96	Oct - 96	Nov - 96	Dec - 96
Engine No.	438683	438858	439024	439237	439448	439596

Year - Month	Jan - 91	Feb - 91	Mar - 91	Apr - 91	May - 91	Jun - 91
Engine No.	373751	375094	376752	378492	380116	381534

Year - Month	Jan - 97	Feb - 97	Mar - 97	Apr - 97	May - 97	Jun - 97
Engine No.	439772	439923	440053	440214	440523	440681

Year - Month	Jul - 91	Aug - 91	Sep - 91	Oct - 91	Nov - 91	Dec - 91
Engine No.	383210	385506	386555	388292	389511	390856

Year - Month	Jul - 97	Aug - 97	Sep - 97	Oct - 97	Nov - 97	Dec - 97
Engine No.	440891	441056	441247	441400	441497	441644

Year - Month	Jan - 92	Feb - 92	Mar - 92	Apr - 92	May - 92	Jun - 92
Engine No.	391940	393019	394394	395871	396875	397811

Year - Month	Jan - 98	Feb - 98	Mar - 98	Apr - 98	May - 98	Jun - 98
Engine No.	441849	441939	441997	442142	442271	442353

Year - Month	Jul - 92	Aug - 92	Sep - 92	Oct - 92	Nov - 92	Dec - 92
Engine No.	399103	400071	401445	402032	403506	404421

Year - Month	Jul - 97	Aug - 97	Sep - 97	Oct - 97	Nov - 97	Dec - 97
Engine No.	442526	442666	442833	442954	443069	443200

Year - Month	Jan - 93	Feb - 93	Mar - 93	Apr - 93	May - 93	Jun - 93
Engine No.	405584	406720	407823	409087	410356	411095

Year - Month	Jan - 99	Feb - 99	Mar - 99	Apr - 99	May - 99	Jun - 99
Engine No.	443351	443485	443607	443708	443889	443959

Year - Month	Jul - 93	Aug - 93	Sep - 93	Oct - 93	Nov - 93	Dec - 93
Engine No.	412582	413534	414400	415615	416458	417014

Year - Month	Jan - 94	Feb - 94	Mar - 94	Apr - 94	May - 94	Jun - 94
Engine No.	418060	418387	419174	419730	420696	421099

16.0L DIESEL TABLE OF CONTENTS

ENGINE BUILD DATE CHART	INSIDE FRONT COVER
TABLE OF CONTENTS / LEGEND	1
ENGINE SERVICE RECOMMENDATIONS	2-3
QUICK REFERENCE ENGINE PARTS	3
CYLINDER HEAD	4-5
CRANKCASE	6-7
LINER AND PISTON KIT	8
CRANKSHAFT ASSEMBLY	9
ROCKER COVER AND BREATHER	10
OIL PAN, FILLER AND GAUGE	11
FLYWHEEL AND HOUSING	12-13
PISTON AND CONNECTING ROD	14-15
CAMSHAFT AND VALVE	16-17
TIMING GEAR	18
VARIOUS ENGINE COVERS	19
ENGINE MOUNTING AND SUPPORT	20
OIL PUMP AND STRAINER	21
BY-PASS OIL FILTER	22
OIL COOLER	23
OIL LINES	25
FUEL FILTER AND HOSE	26
FUEL INJECTION PUMP	27
INJECTION PIPE AND NOZZLE	28-29
FUEL RETURN HOSE	30
EMERGENCY EQUIPMENT	31
WATER PUMP	32
WATER PIPE AND THERMOSTAT	33
INLET MANIFOLD	34
TURBOCHARGER BRACKETS	35
EXHAUST MANIFOLD	36-37
STARTER AND INTAKE AIR HEATER	38
ALTERNATOR	39
TURBOCHARGERS	40
ENGINE COMMON PARTS	41
AIR CLEANER ASSEMBLY	42
INJECTION NOZZLE SHIM CHART	43

LEGEND

**“AR” AS REQUIRED
(STD) STANDARD SIZE
“O.S.” OVERSIZE
“U.S.” UNDERSIZE**

NOTICE!

THE INFORMATION IN THIS MANUAL IS KNOWN TO BE ACCURATE AS OF THE DATE OF RELEASE SHOWN ON THE COVER. HOWEVER, ENGINEERING CHANGES CAN OCCUR WITHOUT NOTICE. TO OBTAIN THE PROPER PARTS, PLEASE BE SURE TO USE THE MODEL NUMBER OF THE UNIT BEING SERVICED WHEN ORDERING FROM THIS MANUAL.

16.0L DIESEL QUICK REFERENCE GUIDE

SPECIFICATIONS:

CRANKCASE OIL CAPACITY:
COOLING SYSTEM CAPACITY:

9.2 U.S. GALLONS (34.81 LITERS)
22.4 U.S. GALLONS (85 LITERS)

RECOMMENDED FLUIDS

COOLANT:

USE A 50/50 MIXTURE OF LOW SILICATE ETHYLENE GLYCOL BASE ANTI-FREEZE AND SOFT WATER. (IF DESIRED, A HIGH QUALITY RUST INHIBITOR MAY BE ADDED TO THE RECOMMENDED COOLANT MIXTURE.) WHEN ADDING COOLANT, ALWAYS ADD THE RECOMMENDED 50/50 MIXTURE.

ENGINE OIL:

USE A HIGH QUALITY DETERGENT OIL HAVING AAPI CLASSIFICATION "FOR SERVICE CC OR CD." THE SAE VISCOSITY RATING OF THE OIL SHOULD BE CAREFULLY SELECTED, BASED ON THE PREVAILING AMBIENT TEMPERATURE RANGE ANTICIPATED BEFORE THE NEXT OIL CHANGE. RECOMMENDED SAE VISCOSITY GRADES ARE AS FOLLOWS:

TEMPERATURE	RECOMMENDED OIL GRADE
ABOVE 90°F	SAE 40
32°F TO 90°F	SAE 30
12°F TO 32°F	SAE 20

PERIODIC MAINTENANCE SCHEDULE:

* Preventive Maintenance to be performed by an authorized mechanic.

** Preventive Maintenance to be performed by authorized operator.

A. AFTER FIRST 30 HOURS OF OPERATION

- *1. Check/adjust valve clearance.
- *2. Retorque engine cylinder head bolts.
- *3. Retorque intake/exhaust manifolds.
- *4. Retorque oil pan bolts.
- *5. Retorque engine fan bolts.
- *6. Test fuel injection nozzles.
- *7. Check injection timing.
- *8. Inspect wiring.
- *9. Change engine crankcase oil and oil filter
- *10. Inspect engine fan belts.
- *11. Inspect battery and cables.

B. EVERY MONTH

- **1. Test standby generator system.
- **2. Inspect battery and cables.
- **3. Check engine oil level.
- *4. Check gearbox oil level (if so equipped).
- **5. Check coolant level.

**6. Check generator ground connections.

**7. Test/inspect optional starting aids.

C. EVERY 120 HOURS OR EVERY THREE MONTHS (WHICHEVER COMES FIRST)

- **1. Inspect and test fuel system and connections.
- **2. Inspect exhaust system.
- **3. Inspect/test fuel supply system.

D. ONCE EVERY SIX MONTHS

- *1. Change engine oil and filter.
- *2. Lubricate engine controls.
- *3. Service engine air cleaner.
- *4. Service engine fuel filter.
- *5. Inspect AC generator.
- *6. Test engine safety controls.
- *7. Inspect fan belts.
- *8. Check engine coolant level.
- *9. Inspect engine cooling system hoses.
- *10. Check optional starting aids.
- *11. Check battery.
- *12. Check engine compression.
- *13. Check electrical connections.
- *14. Check/test annunciator panel.
- *15. Perform operational test.

QUICK REFERENCE GUIDE**E. ONCE ANNUALLY**

- *1. Check engine valve clearance.
- *2. Test fuel injection nozzles.
- *3. Test injection nozzles.
- *4. Inspect all wiring.
- *5. Test engine starter operation.
- *6. Drain water from fuel tank.
- *7. Retorque fan bolts.

F. EVERY TWO YEARS

- *1. Replace all rubber hoses.
- *2. Replace engine fan belts.
- *3. Evaluate the Standby Generator System.
- *4. Drain, flush, refill cooling system.

G. EVERY 1000 OPERATING HOURS

- *1. Disassemble and inspect engine DC alternator.
- *2. Disassemble and inspect engine starter.
- *3. Retorque engine mounting brackets.
- *4. Retorque intake and exhaust manifold.
- *5. Retorque oil pan bolts.
- *6. Remove/test fuel injection pump.
- *7. Remove/test cooling system thermostat.

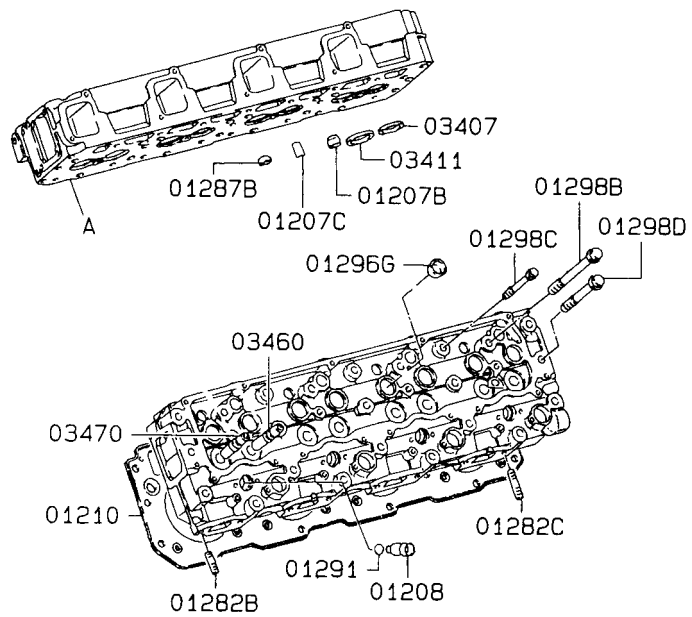
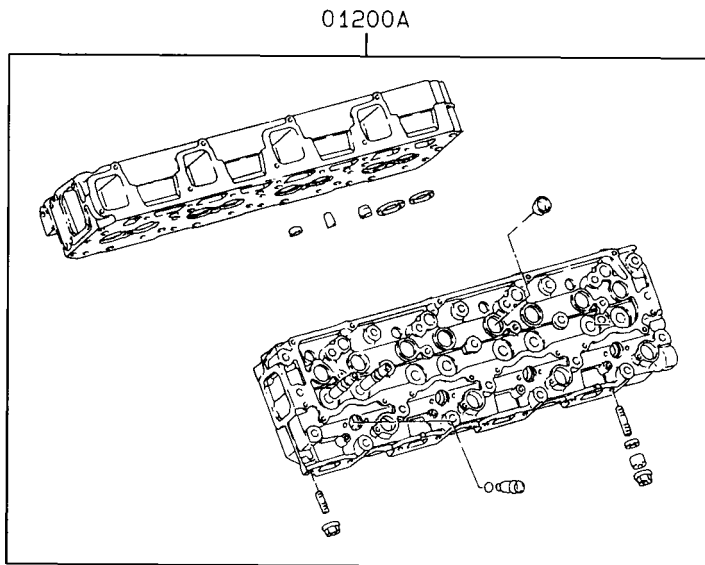
H. AS REQUIRED

- *1. Bleed engine fuel system.
- *2. Pre-oil turbocharger (if so equipped).

QUICK REFERENCE ENGINE PARTS

ITEM	PART NUMBER	DESCRIPTION	QTY
	0A88290603	GASKET KIT, ENGINE OVERHAUL	1
	0A88290602	LINER & PISTON KIT	AR
	0A88290365	PISTON, A SIZE	AR
	0A88290366	PISTON, B SIZE	AR
	0A88290367	PISTON, C SIZE	AR
	0A88290368	PISTON, O.S. 0.50	AR
	0A88290369	PISTON, O.S. 0.75	AR
	0A88290370	PISTON, O.S. 1.00	AR
	0A88290429	GASKET, ENG. OIL PAN	1
	0A88290136	OIL SEAL, REAR MAIN	1
	0A88290196	OIL SEAL, CRANKSHAFT, FRONT	1
	0A88290249	ELEMENT KIT, MAIN & BY-PASS OIL FILTER (TO 9901-3)	1
	0A88290412	ELEMENT KIT, MAIN & BY-PASS OIL FILT. (FROM 9902-1)	1
	0A88290155	ELEMENT KIT, MAIN OIL FILTER (TO 9901-3)	1
	0A88290411	ELEMENT KIT, MAIN OIL FILTER (FROM 9902-1)	1
	0A88290194	FUEL FILTER	1
	0A88290406	NOZZLE AND HOLDER ASSY, FUEL INJECTION	AR
	0A88290582	NOZZLE, FUEL INJECTION	AR
	0A88290604	WATER PUMP ASSY	1
	0A88290584	BELT, ALTERNATOR	1
	0A88290606	THERMOSTAT KIT (INCLUDES GASKETS)	1
	0A88290184	ALTERNATOR ASSY	1

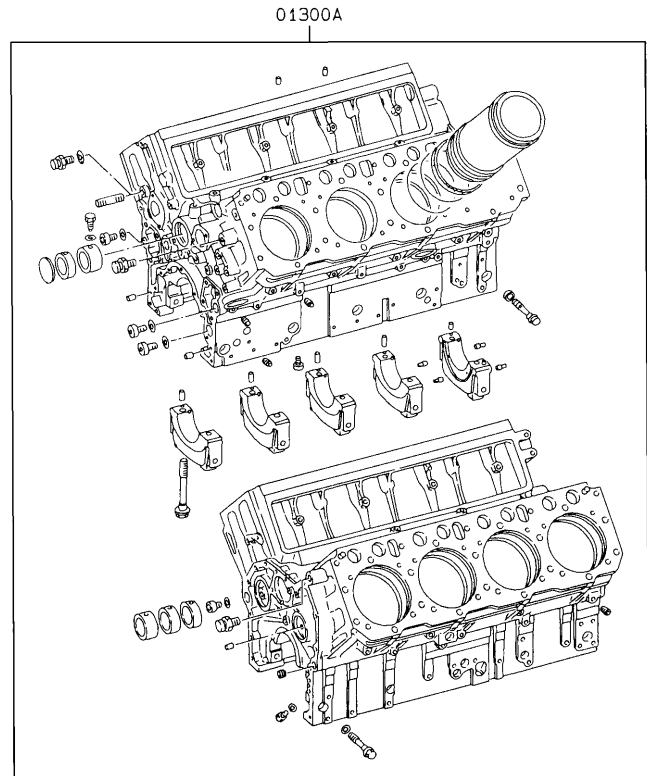
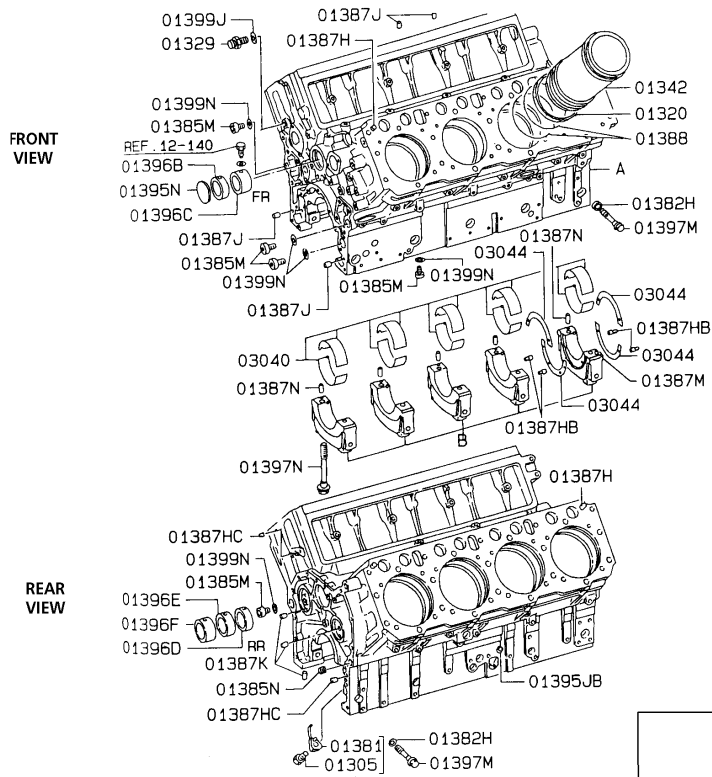
16.0L DIESEL CYLINDER HEAD



16.0L DIESEL CYLINDER HEAD

ITEM	PART NUMBER	DESCRIPTION	QTY
01200A	0A88290605	HEAD ASSY, ENG. CYLINDER	2
01207B	0A88290222	DIRECTOR, CYLINDER HEAD WATER	8
01207C	0A88290223	DIRECTOR, CYLINDER HEAD WATER	16
01208	0A88290124	TUBE, CYLINDER HEAD NOZZLE HOLDER	8
01210	0A88290325	GASKET, CYLINDER HEAD	2
01282B	0A88290742	STUD, CYLINDER HEAD, 10X30	4
01282C	0A88290743	STUD, CYLINDER HEAD, 10X55	12
01287B	0A88290224	PLUG, CYLINDER HEAD	8
01291	0A88290783	O-RING, CYLINDER HEAD	8
01296G	0A88290821	CAP, CYLINDER HEAD	24
01298B	0A88290826	BOLT, CYLINDER HEAD (TO 9809-3)	8
	0A88290376	BOLT, CYLINDER HEAD (FROM 9810-1)	8
01298C	0A88290876	BOLT, CYLINDER HEAD (TO 9809-3)	10
	0A88290377	BOLT, CYLINDER HEAD (FROM 9810-1)	10
01298D	0A88290877	BOLT, CYLINDER HEAD (TO 9809-3)	28
	0A88290375	BOLT, CYLINDER HEAD (FROM 9810-1)	28
03407	0A88290199	SEAT, EXHAUST VALVE	8
03411	0A88290198	SEAT, INLET VALVE	8
03460	0A88290186	GUIDE, INLET VALVE	8
03470	0A88290187	GUIDE, EXHAUST VALVE	8

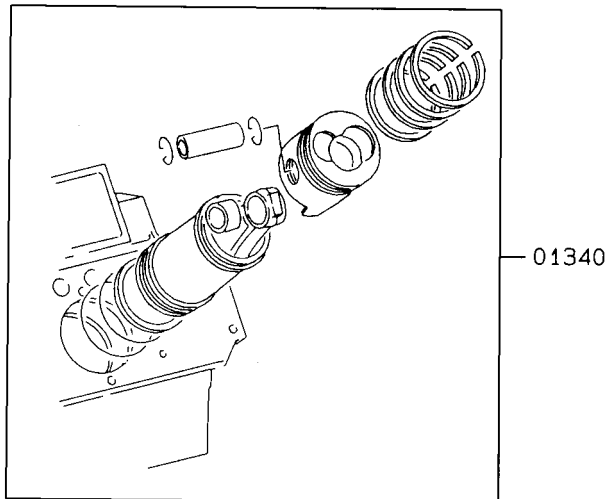
16.0L DIESEL CRANKCASE



16.0L DIESEL CRANKCASE

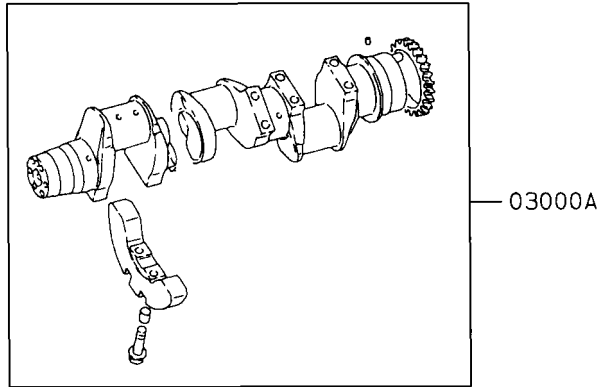
ITEM	PART NUMBER	DESCRIPTION	QTY
01300A	0A88290845	BLOCK ASSY, CYLINDER (TO 9905-1)	1
	0A88290594	BLOCK ASSY, CYLINDER (9905-2 TO 9908-3)	1
	0A88290595	BLOCK ASSY, CYLINDER (FROM 9909-1)	1
01305	0A88290188	CHECK VALVE, CYL. BLOCK PISTON LUBRICANT	8
01320	0A88290130	SEAL, CYLINDER LINER	8
01329	0A88290182	HANGER, CYLINDER BLOCK	1
01342	0A88290229	LINER, CYLINDER, A SIZE	8
	0A88290230	LINER, CYLINDER, B SIZE	8
	0A88290231	LINER, CYLINDER, C SIZE	8
01381	0A88290349	OIL JET, CYLINDER BLOCK	8
01382H	0A88290749	WASHER, CYLINDER BLOCK	10
01385M	0A88290793	PLUG, CYLINDER BLOCK	5
01385N	0A88290800	PLUG, CYLINDER BLOCK	1
01387H	0A88290684	PIN, CYLINDER BLOCK	4
01387HB	0A88290208	PIN, CYLINDER BLOCK	4
01387HC	0A88290752	PIN, CYLINDER BLOCK	2
01387J	0A88290683	PIN, CYLINDER BLOCK	4
01387K	0A88290682	PIN, CYLINDER BLOCK	4
01387M	0A88290751	PIN, CYLINDER BLOCK	1
01387N	0A88290871	PIN, CYLINDER BLOCK	5
01388	0A88290350	O-RING, CYLINDER BLOCK	16
01395JB	0A88290872	CAP, CYLINDER BLOCK (TO 9811-3)	1
01395N	0A88290207	CAP, CYLINDER BLOCK	1
01396B	0A88290319	BUSHING, CYLINDER BLOCK, NO. 1	1
01396C	0A88290320	BUSHING, CYLINDER BLOCK, NO. 2	1
01396D	0A88290321	BUSHING, CYLINDER BLOCK, NO. 3	1
01396E	0A88290322	BUSHING, CYLINDER BLOCK, NO. 4	1
01396F	0A88290426	BUSHING, CYLINDER BLOCK, NO. 5	1
01397M	0A88290213	BOLT, CYLINDER BLOCK	10
01397N	0A88290212	BOLT, CYLINDER BLOCK (TO 9908-3)	10
	0A88290378	BOLT, CYLINDER BLOCK (FROM 9909-1)	10
	0A88290697	GASKET, CYLINDER BLOCK	1
01399J	0A88290697	GASKET, CYLINDER BLOCK	1
01399N	0A88290777	GASKET, CYLINDER BLOCK	5
03040	0A88290358	BEARING SET, CRANKSHAFT , STD	1
	0A88290359	BEARING SET, CRANKSHAFT, U.S. 0.25	1
	0A88290360	BEARING SET, CRANKSHAFT, U.S. 0.50	1
	0A88290361	BEARING SET, CRANKSHAFT, U.S. 0.75	1
	0A88290362	BEARING SET, CRANKSHAFT, U.S. 1.00	1
	0A88290363	BEARING SET, CRANKSHAFT, U.S. 1.25	1
	0A88290364	BEARING SET, CRANKSHAFT, U.S. 1.50	1
	0A88290132	PLATE, CRANKSHAFT THRUST, STD	4
03044	0A88290133	PLATE, CRANKSHAFT THRUST, O.S. 0.15	4
	0A88290134	PLATE, CRANKSHAFT THRUST, O.S. 0.30	4
	0A88290878	PLATE, CRANKSHAFT THRUST, O.S. 0.45	4

16.0L DIESEL LINER AND PISTON KIT



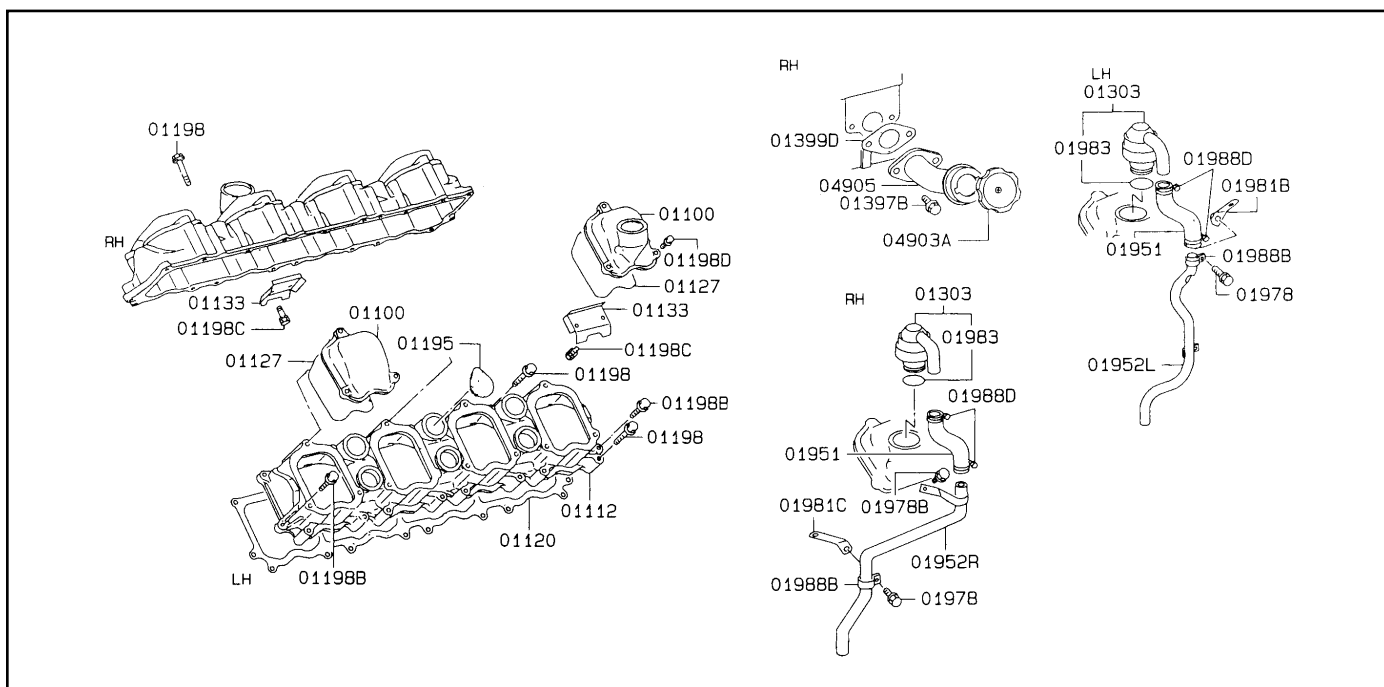
ITEM	PART NUMBER	DESCRIPTION	QTY
01340	0A88290602	LINER & PISTON KIT	4

16.0L DIESEL CRANKSHAFT ASSEMBLY



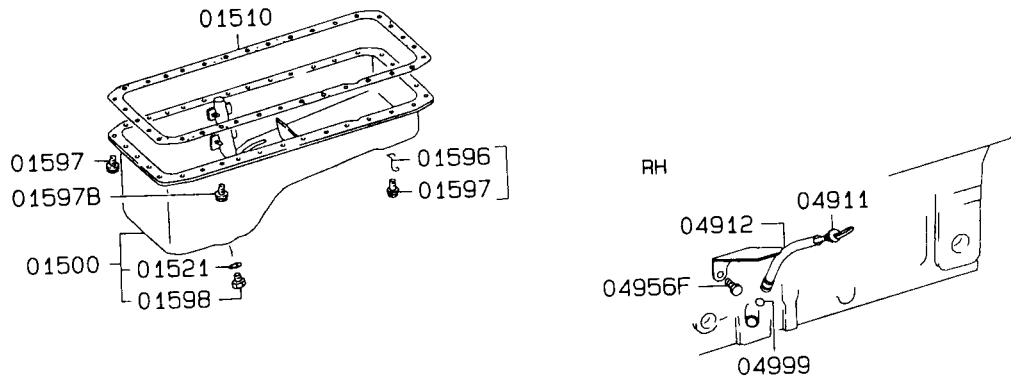
ITEM	PART NUMBER	DESCRIPTION	QTY
03000A	0A88290597	CRANSHAFT ASSY	1

16.0L DIESEL ROCKER COVER AND BREATHER



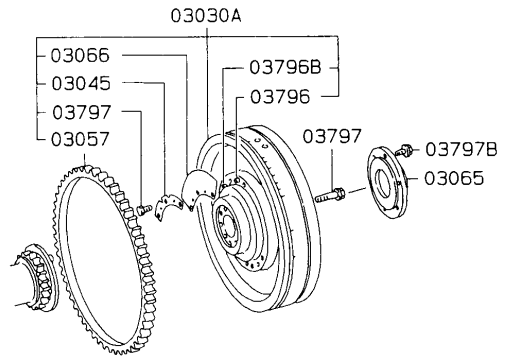
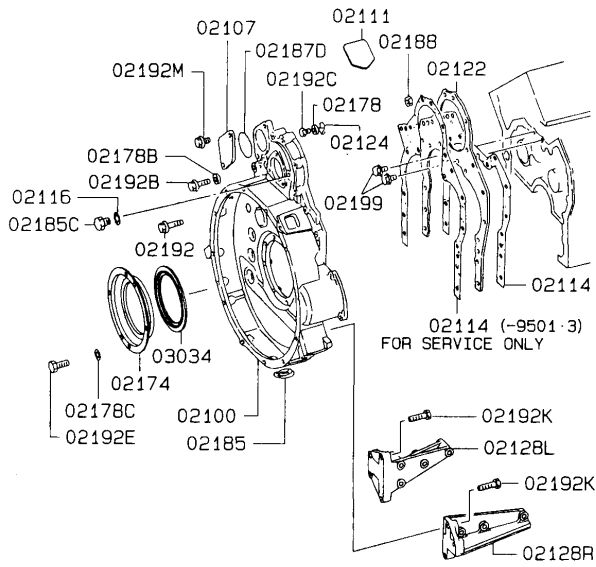
ITEM	PART NUMBER	DESCRIPTION	QTY
01100	0A88290214	COVER, ROCKER	2
01112	0A88290220	CASE, ROCKER	2
01120	0A88290341	GASKET, ROCKER CASE	2
01127	0A88290232	O-RING, ROCKER COVER	8
01133	0A88290126	PLATE, ROCKER COVER OIL PARTITION	2
01195	0A88290374	CAP, ROCKER COVER	12
01198	0A88290625	BOLT, ROCKER COVER, 8X55	20
	0A88290626	BOLT, ROCKER COVER, 8X85	1
	0A88290627	BOLT, ROCKER COVER, 8X90	5
01198B	0A88290624	BOLT, ROCKER COVER, 8X25	4
01198C	0A88290634	BOLT, ROCKER COVER, W/WASHER	4
01198D	0A88290849	BOLT, ROCKER COVER, 8X25	24
01303	0A88290261	BREATHER, ENG.	2
01397B	0A88290623	BOLT, CYLINDER BLOCK, 8X20	2
01399D	0A88290414	GASKET, CYLINDER BLOCK	1
01951	0A88290240	HOSE, ENG. BREATHER	2
01952L	0A88290318	PIPE, ENG. BREATHER, LH	1
01952R	0A88290372	PIPE, ENG. BREATHER, RH	1
01978	0A88290620	BOLT, ENG. BREATHER, 8X16	3
01978D	0A88290734	BOLT, ENG. BREATHER, 12X16	1
01981B	0A88290590	STAY, ENG. BREATHER	1
01981C	0A88290766	STAY, ENG. BREATHER	1
01983	0A88290785	O-RING, ENG. BREATHER	2
01988B	0A88290120	CLAMP, ENG. BREATHER	2
01988D	0A88290819	CLAMP, ENG. BREATHER	4
04903A	0A88290169	CAP ASSY, ENG. OIL FILLER	1
04905	0A88290238	FILLER, ENG. OIL	1

16.0L DIESEL OIL PAN, FILLER AND GAUGE

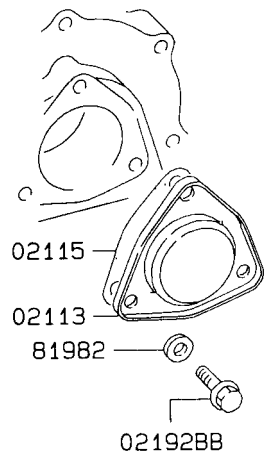


ITEM	PART NUMBER	DESCRIPTION	QTY
01500	0A88290844	OIL PAN, ENG.	1
01510	0A88290429	GASKET, ENG. OIL PAN	1
01521	0A88290773	GASKET, ENG. OIL PAN DRAIN PLUG	1
01596	0A88290765	CLAMP, ENG. OIL PAN	1
01597	0A88290738	BOLT, ENG. OIL PAN, 10X18	33
	0A88290716	BOLT, ENG. OIL PAN, 10X20	1
01597B	0A88290659	BOLT, ENG. OIL PAN, W/WASHER	4
01598	0A88290790	PLUG, ENG. OIL PAN	1
04911	0A88290424	GAUGE, ENG. OIL LEVEL	1
04912	0A88290390	GUIDE, ENG. OIL LEVEL GAUGE	1
04956F	0A88290621	BOLT, ENG. OIL FILLER, 8X20	1
04999	0A88290784	O-RING, ENG. OIL FILLER	1

16.0L DIESEL FLYWHEEL AND HOUSING



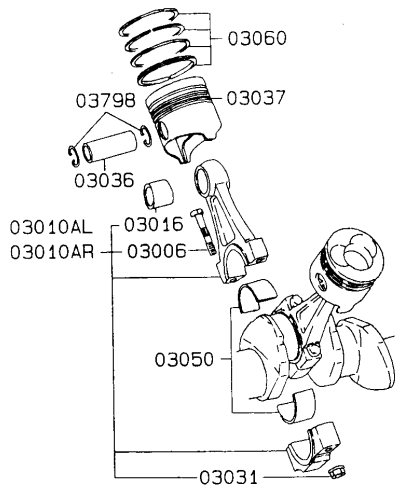
PTGN



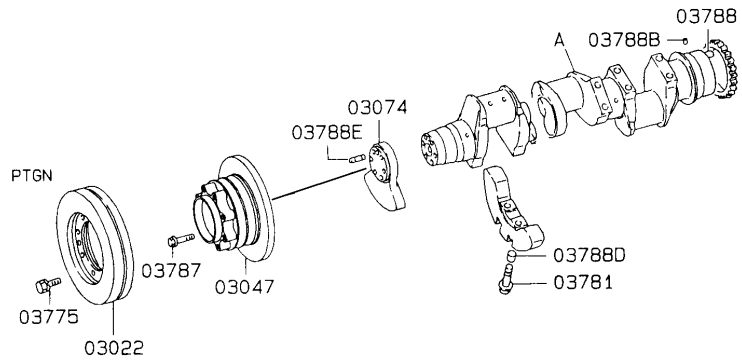
16.0L DIESEL FLYWHEEL AND HOUSING

ITEM	PART NUMBER	DESCRIPTION	QTY
02100	0A88290380	HOUSING, FLYWHEEL	1
02107	0A88290825	COVER, FLYWHEEL HOUSING	1
02111	0A88290420	COVER, FLYWHEEL HOUSING TIMING POINTER	1
02113	0A88290112	COVER, FLYWHEEL HOUSING, RR	1
02114	0A88290299	GASKET, ENG. RR PLATE	1
02115	0A88290875	GASKET, FLYWHEEL HOUSING RR COVER	1
02116	0A88290696	GASKET, FLYWHEEL HOUSING	1
02122	0A88290846	PLATE, CYLINDER BLOCK, RR	1
02124	0A88290210	POINTER, FLYWHEEL HOUSING ENG. TIMING	1
02128L	0A88290427	STIFFENER, FLYWHEEL HOUSING, LH	1
02128R	0A88290428	STIFFENER, FLYWHEEL HOUSING, RH	1
02174	0A88290422	RETAINER, FLYWHEEL HOUSING OIL SEAL	1
02178	0A88290675	WASHER, FLYWHEEL HOUSING	1
02178B	0A88290674	WASHER, FLYWHEEL HOUSING	3
02178C	0A88290673	WASHER, FLYWHEEL HOUSING	4
02185	0A88290106	PLUG, FLYWHEEL HOUSING	1
02185C	0A88290166	PLUG, FLYWHEEL HOUSING	1
02187D	0A88290689	O-RING, FLYWHEEL HOUSING	1
02188	0A88290664	NUT, FLYWHEEL HOUSING	1
02192	0A88290737	BOLT, FLYWHEEL HOUSING, 12X60	11
02192B	0A88290869	BOLT, FLYWHEEL HOUSING, 12X45 (TO 9608-2)	4
	0A88290722	BOLT, FLYWHEEL HOUSING, 12X50	1
	0A88290656	BOLT, FLYWHEEL HOUSING, W/WASHER, 12X50	4
02192BB	0A88290641	BOLT, FLYWHEEL HOUSING, W/WASHER, 10X20	2
	0A88290642	BOLT, FLYWHEEL HOUSING, W/WASHER, 10X20	3
02192C	0A88290607	BOLT, FLYWHEEL HOUSING, 6X25	1
02192E	0A88290853	BOLT, FLYWHEEL HOUSING, W/WASHER, 8X16	4
	0A88290638	BOLT, FLYWHEEL HOUSING, W/WASHER, 8X14	4
02192K	0A88290868	BOLT, FLYWHEEL HOUSING, 12X40	3
	0A88290722	BOLT, FLYWHEEL HOUSING, 12X50	7
	0A88290728	BOLT, FLYWHEEL HOUSING, 12X75	4
02192M	0A88290729	BOLT, FLYWHEEL HOUSING, 12X25	2
02199	0A88290738	BOLT, ENG. RR PLATE, 10X18	2
03030A	0A88290204	FLYWHEEL ASSY	1
03034	0A88290136	OIL SEAL, REAR MAIN	1
03045	0A88290115	PLATE, FLYWHEEL BOLT LOCK	1
03057	0A88290236	RING GEAR, FLYWHEEL	1
03065	0A88290279	RETAINER, FLYWHEEL DRIVE PINION BEARING	1
03066	0A88290137	WEIGHT, FLYWHEEL BALANCE	1
03796	0A88290683	PIN, FLYWHEEL	1
03796B	0A88290682	PIN, FLYWHEEL	1
03797	0A88290608	BOLT, FLYWHEEL, 12X20	3
03797B	0A88290717	BOLT, FLYWHEEL, 10X25	6
81982	0A88290769	SPACER, TACHOMETER DRIVE	1

16.0L DIESEL PISTON AND CONNECTING ROD



CRANKSHAFT & PULLEY

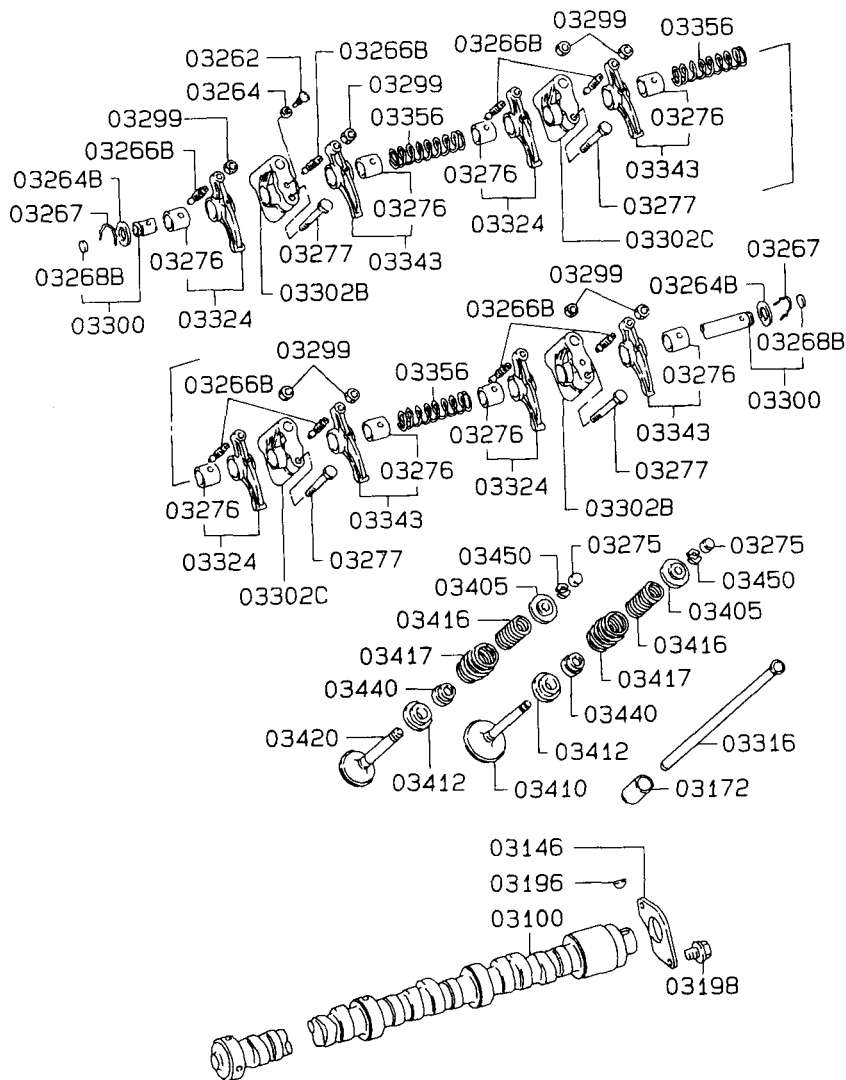


A: CRANKSHAFT REF. 11-060

16.0L DIESEL PISTON AND CONNECTING ROD

ITEM	PART NUMBER	DESCRIPTION	QTY
03006	0A88290219	BOLT, CONNROD, 16X108	16
03010AL	0A88290342	CONNECTING ROD ASSY, LH	4
03010AR	0A88290343	CONNECTING ROD ASSY, RH	4
03016	0A88290217	BUSHING, CONNROD	8
03022	0A88290276	DAMPER, CRANKSHAFT TORSIONAL	1
03031	0A88290114	NUT, CONNROD	16
03036	0A88290216	PIN, PISTON	8
03037	0A88290368	PISTON, O.S. 0.50	8
	0A88290369	PISTON, O.S. 0.75	8
	0A88290370	PISTON, O.S. 1.00	8
	0A88290365	PISTON, A SIZE	8
	0A88290366	PISTON, B SIZE	8
	0A88290367	PISTON, C SIZE	8
03047	0A88290382	PULLEY, CRANKSHAFT	1
03050	0A88290353	BEARING SET, CONNROD, STD	1
	0A88290354	BEARING SET, CONNROD, U.S. 0.25	1
	0A88290355	BEARING SET, CONNROD, U.S. 0.50	1
	0A88290356	BEARING SET, CONNROD, U.S. 0.75	1
	0A88290357	BEARING SET, CONNROD, U.S. 1.00	1
03060	0A88290598	RING SET, PISTON, STD	1
	0A88290599	RING SET, PISTON, O.S. 0.50	1
	0A88290600	RING SET, PISTON, O.S. 0.75	1
	0A88290601	RING SET, PISTON, O.S. 1.00	1
03074	0A88290371	WEIGHT, CRANKSHAFT BALANCE, FR	1
03775	0A88290653	BOLT, TORSIONAL DAMPER, 12X25	8
	0A88290654	BOLT, TORSIONAL DAMPER, 12X30	8
03781	0A88290292	BOLT, CRANKSHAFT, 16X100	12
03787	0A88290215	BOLT, CRANKSHAFT PULLEY, 14X59	6
	0A88290730	BOLT, CRANKSHAFT PULLEY, 14X91	6
03788	0A88290685	PIN, CRANKSHAFT, 14X28	1
03788B	0A88290754	PIN, CRANKSHAFT, 5X11	1
03788D	0A88290753	PIN, CRANKSHAFT, 20X20	12
03788E	0A88290750	PIN, CRANKSHAFT, 14X45	1
03798	0A88290135	SNAP RING, PISTON	16

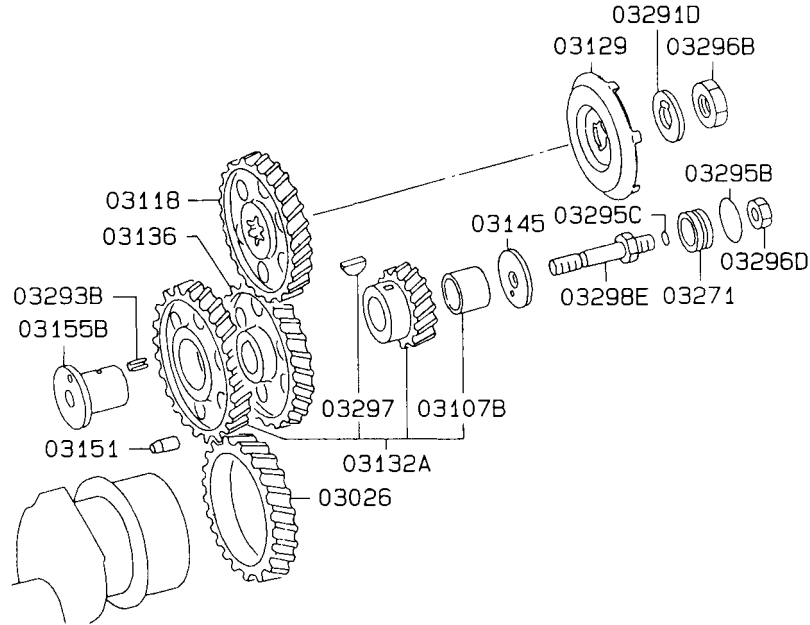
16.0L DIESEL CAMSHAFT & VALVE



16.0L DIESEL CAMSHAFT & VALVE

ITEM	PART NUMBER	DESCRIPTION	QTY
03100	0A88290329	CAMSHAFT	1
03146	0A88290127	PLATE, CAMSHAFT THRUST (TO 9901-2)	1
	0A88290430	PLATE, CAMSHAFT THRUST (FROM 9901-3)	1
03172	0A88290206	TAPPET, VALVE	16
03196	0A88290812	KEY, CAMSHAFT	1
03198	0A88290738	BOLT, CAMSHAFT, 10X18	2
03262	0A88290110	SET SCREW, VALVE GEAR TRAIN	2
03264	0A88290676	WASHER, VALVE GEAR TRAIN, SPRING	2
03264B	0A88290330	WASHER, VALVE GEAR TRAIN, PLAIN	4
03266B	0A88290270	SCREW, VALVE GEAR TRAIN, TAPPING, 10X40	16
03267	0A88290331	SNAP RING, VALVE GEAR TRAIN	4
03268B	0A88290704	PLUG, VALVE GEAR TRAIN	4
03275	0A88290101	CAP, VALVE GEAR TRAIN	16
03276	0A88290345	BUSHING, VALVE GEAR TRAIN	16
03277	0A88290609	BOLT, VALVE GEAR TRAIN, 12X100	8
03299	0A88290665	NUT, VALVE GEAR TRAIN	16
03300	0A88290335	SHAFT, ROCKER ARM	2
03302B	0A88290334	BRACKET, ROCKER SHAFT	4
03302C	0A88290333	BRACKET, ROCKER SHAFT	4
03316	0A88290269	PUSH ROD, ROCKER ARM	16
03324	0A88290347	ROCKER ARM, EXHAUST VALVE	8
03343	0A88290346	ROCKER ARM, INLET VALVE	8
03356	0A88290332	SPRING, ROCKER SHAFT	6
03405	0A88290379	RETAINER, VALVE SPRING	16
03410	0A88290310	VALVE INLET	8
03412	0A88290185	SEAT, VALVE SPRING	16
03416	0A88290339	SPRING, VALVE, INNER	16
03417	0A88290340	SPRING, VALVE OUTER	16
03420	0A88290311	VALVE, EXHAUST	8
03440	0A88290423	SEAL, VALVE STEM	16
03450	0A88290125	LOCK, VALVE SPRING RETAINER	32

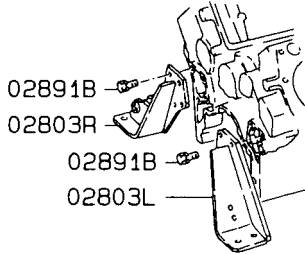
16.0L DIESEL TIMING GEAR



ITEM	PART NUMBER	DESCRIPTION	QTY
03026	0A88290294	GEAR, CRANKSHAFT	1
03107B	0A88290237	BUSHING, TIMING GEAR TRAIN	1
03118	0A88290295	GEAR, INJECTION PUMP DRIVE	1
03129	0A88290235	PLATE, INJECTION PUMP DRIVE GEAR	1
03132A	0A88290417	GEAR ASSY, CAM IDLER	1
03136	0A88290328	GEAR, CAMSHAFT	1
03145	0A88290218	PLATE, CAM IDLER GEAR THRUST	1
03151	0A88290425	PLUG, TIMING GEAR TRAIN	1
03155B	0A88290344	SHAFT, CAM IDLER GEAR	1
03271	0A88290225	COLLAR, TIMING GEAR TRAIN	1
03291D	0A88290122	WASHER, TIMING GEAR TRAIN	1
03293B	0A88290755	SPRING PIN, TIMING GEAR TRAIN	1
03295B	0A88290690	O-RING, TIMING GEAR TRAIN	1
03295C	0A88290116	O-RING, TIMING GEAR TRAIN	1
03296B	0A88290747	NUT, TIMING GEAR TRAIN	1
03296D	0A88290666	NUT, TIMING GEAR TRAIN	1
03297	0A88290812	KEY, TIMING GEAR TRAIN	1
03298E	0A88290418	BOLT, TIMING GEAR TRAIN	1

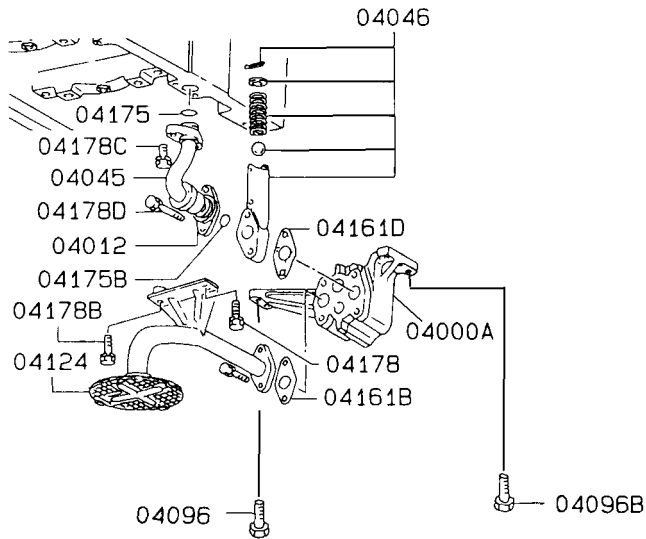
16.0L DIESEL ENGINE MOUNTING AND SUPPORT

FRONT



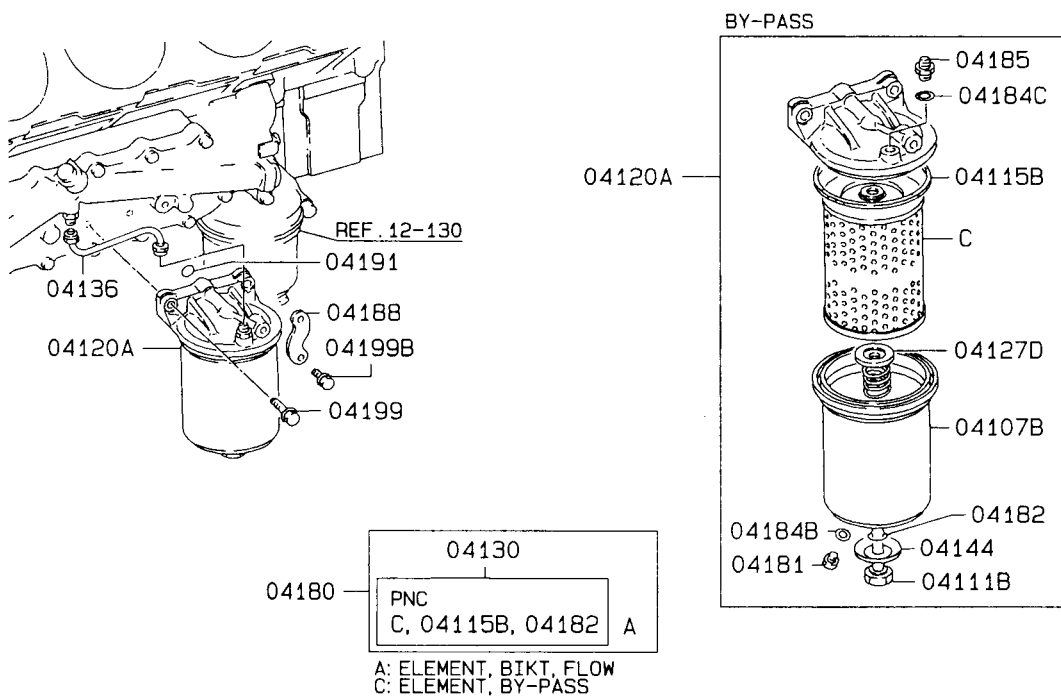
ITEM	PART NUMBER	DESCRIPTION	QTY
02803L	0A88290277	BRACKET, CYL. BLOCK ENG. FR MOUNTING, LH	1
02803R	0A88290381	BRACKET, CYL. BLOCK ENG. FR MOUNTING, RH	1
02891B	0A88290657	BOLT, ENG. MOUNTING, W/WASHER, 14X35	8
	0A88290611	BOLT, ENG. MOUNTING, W/WASHER, 14X45	3
	0A88290612	BOLT, ENG. MOUNTING, W/WASHER, 14X55	5

16.0L DIESEL OIL PUMP AND STRAINER



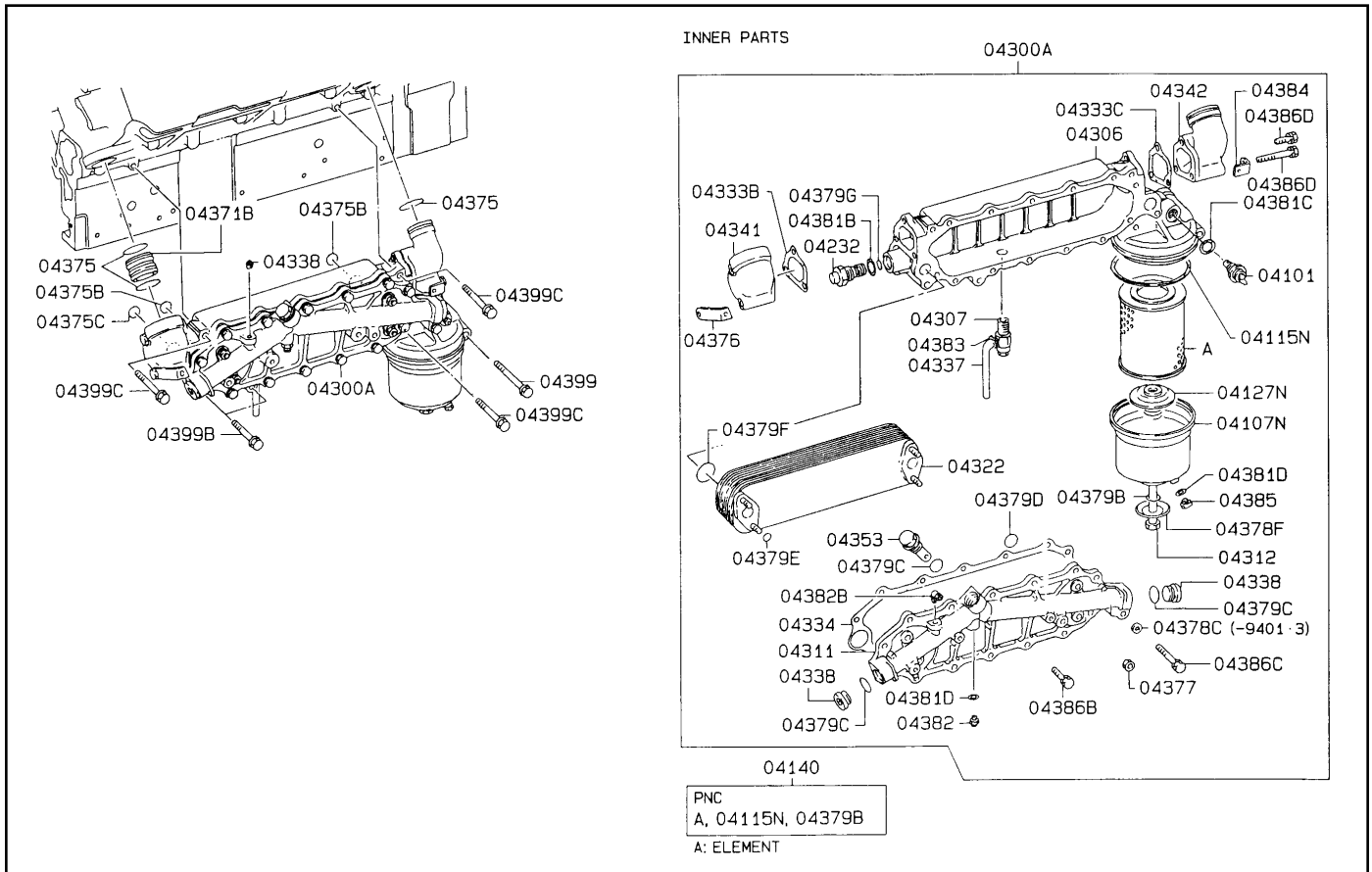
ITEM	PART NUMBER	DESCRIPTION	QTY
04000A	0A88290833	OIL PUMP ASSY, ENG. (TO 9712-3)	1
	0A88290305	OIL PUMP ASSY, ENG. (FROM 9801-1)	1
04012	0A88290247	FLANGE, ENG. OIL PUMP OUTLET TUBE	1
04045	0A88290832	TUBE, ENG. OIL PUMP OUTLET (TO 9712-3)	1
	0A88290246	TUBE, ENG. OIL PUMP OUTLET (FROM 9801-1)	1
04046	0A88290241	VALVE, ENG. OIL PUMP RELIEF	1
04096	0A88290649	BOLT, ENG. OIL PUMP, W/WASHER, 10X55	1
04096B	0A88290866	BOLT, ENG. OIL PUMP, FLANGE, 10X50 (TO 9712-3)	4
	0A88290648	BOLT, ENG. OIL PUMP, W/WASHER, 10X45	4
04124	0A88290827	STRAINER, ENG. OIL PAN (TO 9712-3)	1
	0A88290259	STRAINER, ENG. OIL PAN (FROM 9801-1)	1
04161B	0A88290415	GASKET, OIL STRAINER	1
04161D	0A88290421	GASKET, OIL STRAINER	1
04175	0A88290778	O-RING, OIL STRAINER	1
04175B	0A88290148	O-RING, OIL STRAINER	1
04178	0A88290711	BOLT, OIL STRAINER, 10X16	1
04178B	0A88290712	BOLT, OIL STRAINER, 10X30	1
04178C	0A88290660	BOLT, OIL STRAINER, W/WASHER, 10X30	2
04178D	0A88290854	BOLT, OIL STRAINER, W/WASHER, 10X55 (TO 9712-3)	2
	0A88290661	BOLT, OIL STRAINER, W/WASHER, 10X70 (FROM 9801-1)	2
04178E	0A88290711	BOLT, OIL STRAINER, 10X16	1

16.0L DIESEL BY-PASS OIL FILTER



ITEM	PART NUMBER	DESCRIPTION	QTY
04107B	0A88290154	CASE, OIL FILTER (TO 9903-3)	1
	0A88290434	CASE, OIL FILTER (FROM 9904-1)	1
04111B	0A88290153	CENTER BOLT, OIL FILTER (TO 9903-3)	1
	0A88290433	CENTER BOLT, OIL FILTER (FROM 9904-1)	1
04115B	0A88290150	GASKET, OIL FILTER CASE (TO 9905-3)	1
	0A88290413	GASKET, OIL FILTER CASE (TO 9906-1)	1
04120A	0A88290250	OIL FILTER & HEAD ASSY, BY-PASS (TO 9903-3)	1
	0A88290435	OIL FILTER & HEAD ASSY, BY-PASS (FROM 9904-1)	1
04127D	0A88290152	RETAINER, OIL FILTER ELEMENT (TO 9903-3)	1
	0A88290437	RETAINER, OIL FILTER ELEMENT (FROM 9904-1)	1
04130	0A53990233	ELEMENT KIT, BY-PASS OIL FILTER (TO 9903-3)	1
	0A88290436	ELEMENT KIT, BY-PASS OIL FILTER (FROM 9904-1)	1
04136	0A88290306	TUBE, BY-PASS OIL FILTER FEED	1
04144	0A88290156	WASHER, OIL FILTER	1
04180	0A88290249	ELEMENT KIT, MAIN & BY-PASS OIL FILTER (TO 9901-3)	1
	0A88290412	ELEMENT KIT, MAIN & BY-PASS OIL FILTER (FROM 9902-1)	1
04181	0A88290701	PLUG, OIL FILTER INNER	1
04182	0A88290774	O-RING, OIL FILTER INNER	1
04184B	0A88290693	GASKET, OIL FILTER INNER	1
04184C	0A88290694	GASKET, OIL FILTER INNER	1
04185	0A88290795	JOINT, OIL FILTER INNER (TO 9903-3)	1
	0A88290432	JOINT, OIL FILTER INNER (FROM 9904-1)	1
04188	0A88290592	STAY, OIL FILTER	1
04191	0A88290157	O-RING, OIL FILTER	1
04199	0A88290714	BOLT, OIL FILTER, 10X40	2
04199B	0A88290711	BOLT, OIL FILTER, 10X16	2

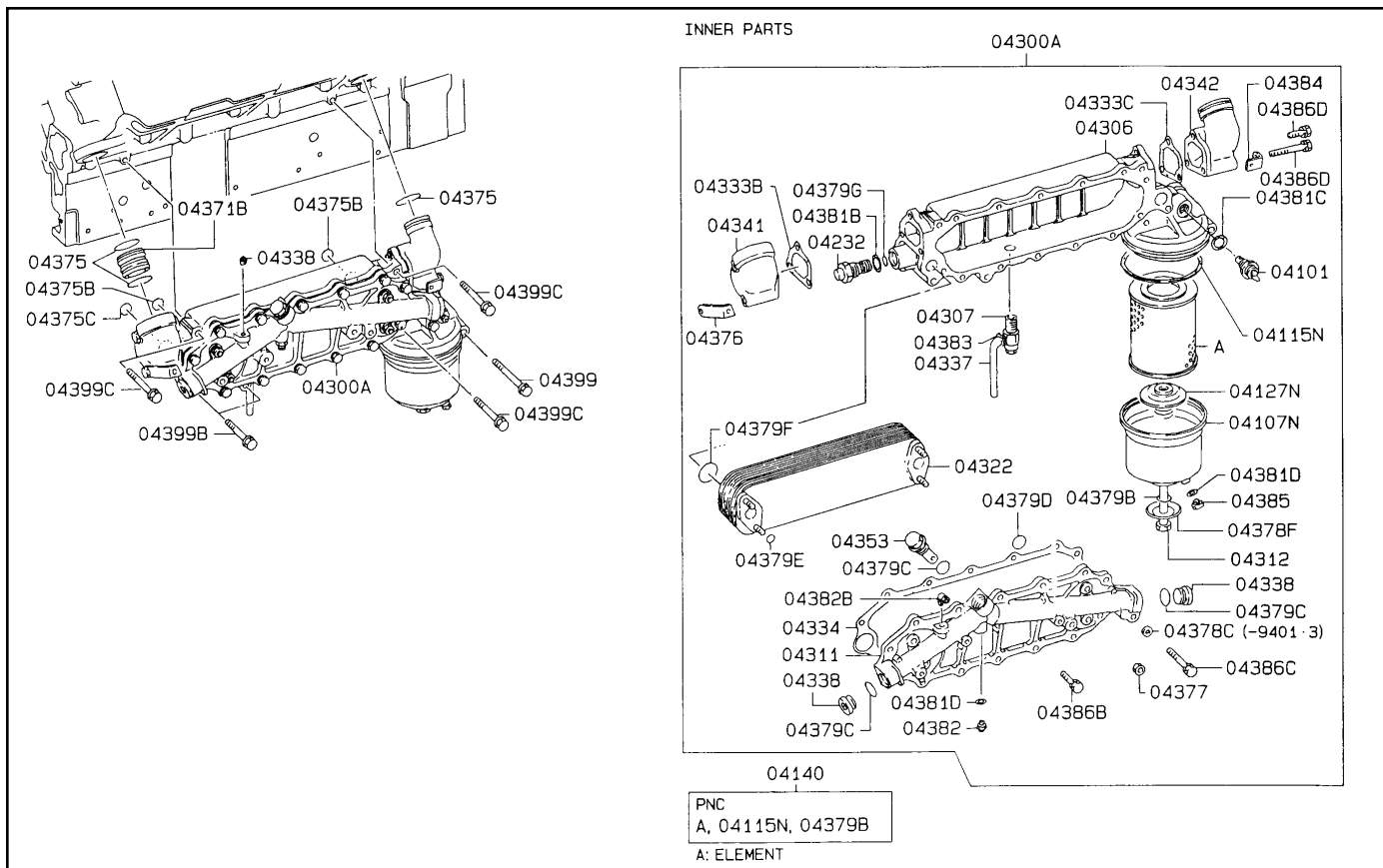
16.0L DIESEL OIL COOLER



ITEM	PART NUMBER	DESCRIPTION	QTY
04101	0A88290191	SWITCH, OIL FILTER BY-PASS	1
04107N	0A88290244	CASE, OIL FILTER	1
04115N	0A88290150	GASKET, OIL FILTER CASE	1
04127N	0A88290190	RETAINER, OIL FILTER ELEMENT	1
04140	0A88290155	ELEMENT KIT, OIL FILTER (TO 9901-3)	1
	0A88290411	ELEMENT KIT, OIL FILTER (FROM 9902-1)	1
04232	0A88290282	VALVE, ENG. OIL PRESSURE REGULATING	1
04300A	0A88290290	OIL COOLER ASSY, ENG.	1
04306	0A88290289	CASE, ENG. OIL COOLER	1
04307	0A88290164	COCK, ENG. OIL COOLER WATER DRAIN	1
04311	0A88290254	COVER, ENG. OIL COOLER	1
04312	0A88290151	CENTER BOLT, ENG. OIL COOLER, 16X165	1
04322	0A88290373	ELEMENT, ENG. OIL COOLER	1
04333B	0A88290257	GASKET, ENG. OIL COOLER WATER PIPE	1
04333C	0A88290258	GASKET, ENG. OIL COOLER WATER PIPE	1
04334	0A88290149	GASKET, ENG. OIL COOLER COVER	1
04337	0A88290323	PIPE, ENG. OIL COOLER WATER DRAIN	1
04338	0A88290260	PLUG, ENG. OIL COOLER	2
04341	0A88290255	PIPE, ENG. OIL COOLER WATER INLET	1
04342	0A88290256	PIPE, ENG. OIL COOLER WATER OUTET	1
04353	0A88290245	VALVE, ENG. OIL COOLER BY-PASS	1
04371B	0A88290118	JOINT, ENG. OIL COOLER	1
04375	0A88290786	O-RING, ENG. OIL COOLER	3
04375B	0A88290787	O-RING, ENG. OIL COOLER	2

(CONTINUED ON ON NEXT PAGE)

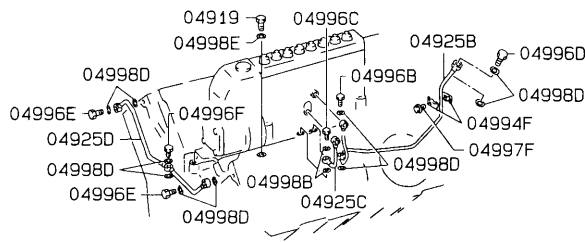
16.0L DIESEL OIL COOLER (CONTINUED)



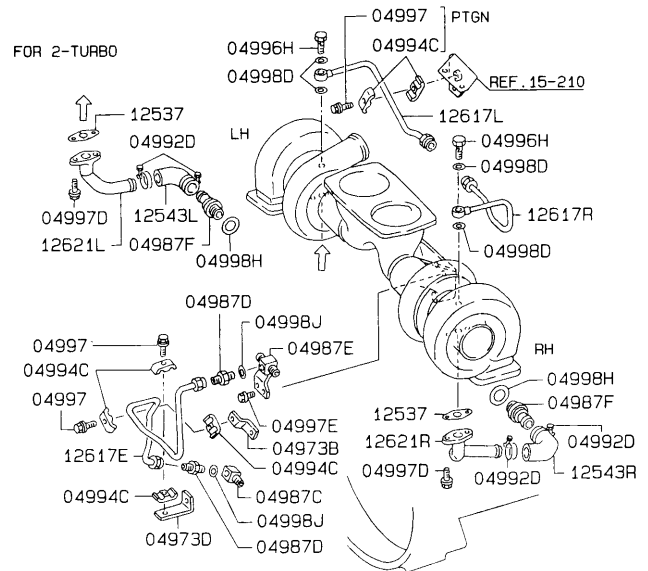
ITEM	PART NUMBER	DESCRIPTION	QTY
04375C	0A88290119	O-RING, ENG. OIL COOLER	1
04376	0A88290589	BRACKET, ENG. OIL COOLER, INNER	1
04377	0A88290416	NUT, ENG. OIL COOLER, INNER	4
04378F	0A88290156	WASHER, ENG. OIL COOLER INNER	1
04379B	0A88290774	O-RING, ENG. OIL COOLER INNER	1
04379C	0A88290780	O-RING, ENGINE OIL COOLER, INNER	3
04379D	0A88290787	O-RING, ENG. OIL COOLER INNER	2
04379E	0A88290779	O-RING, ENG. OIL COOLER INNER	4
04379F	0A88290782	O-RING, ENG. OIL COOLER INNER	2
04379G	0A88290781	O-RING, ENG. OIL COOLER INNER	1
04381B	0A88290699	GASKET, ENG. OIL COOLER	1
04381C	0A88290698	GASKET, ENG. OIL COOLER	1
04381D	0A88290693	GASKET, ENG. OIL COOLER	2
04382	0A88290817	JOINT, ENG. OIL COOLER INNER	1
04382B	0A88290792	JOINT, ENG. OIL COOLER INNER	1
04383	0A88290820	CLAMP, ENG. OIL COOLER INNER	1
04384	0A88290586	STAY, ENG. OIL COOLER INNER	1
04385	0A88290701	PLUG, ENG. OIL COOLER INNER	1
04386B	0A88290352	BOLT, ENG. OIL COOLER INNER, 10X55	14
04386C	0A88290658	BOLT, ENG OIL COOLER INNER, W/WASHER, 10X55	1
04386D	0A88290643	BOLT, ENG OIL COOLER INNER, W/WASHER, 10X28	2
	0A88290644	BOLT, ENG OIL COOLER INNER, W/WASHER, 10X80	4
04399	0A88290725	BOLT, ENG OIL COOLER, 10X120	1
04399B	0A88290719	BOLT, ENG. OIL COOLER, 10X85	2
04399C	0A88290727	BOLT, ENG. OIL COOLER, 10X105	3

16.0L DIESEL OIL LINE

FOR INJ PUMP & A/COMPR



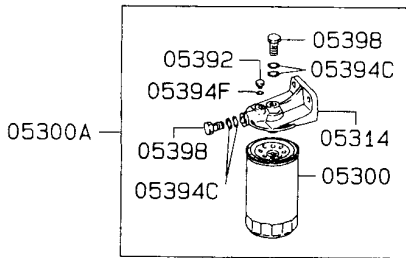
FOR 2-TURBO



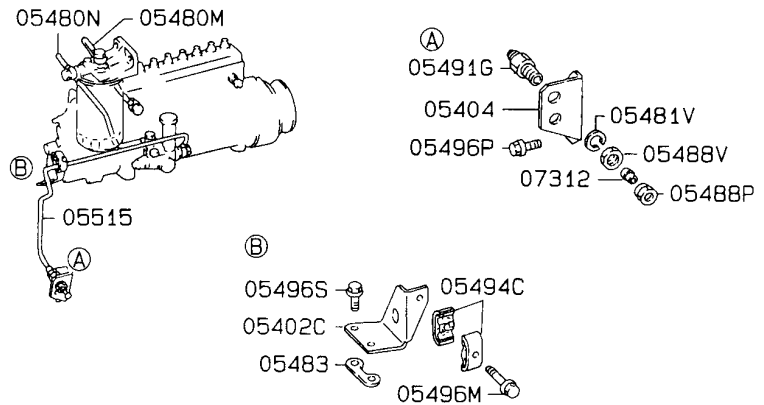
ITEM	PART NUMBER	DESCRIPTION	QTY
04919	0A88290702	SCREW, ENG. OIL LINE	1
04925B	0A88290253	TUBE, ENG. OIL LINE	1
04925C	0A88290147	TUBE, ENG. OIL LINE	1
04925D	0A88290348	TUBE, ENG. OIL LINE	1
04973B	0A88290588	STAY, ENG. OIL LINE	1
04973D	0A88290770	STAY, ENG. OIL LINE	1
04987C	0A88290802	JOINT, ENG. OIL LINE	1
04987D	0A88290818	JOINT, ENG. OIL LINE	2
04987E	0A88290385	JOINT, ENG. OIL LINE	1
04987F	0A88290797	JOINT, ENG. OIL LINE	2
04992D	0A88290819	CLIP, ENG. OIL LINE	4
04994C	0A88290763	CLAMP, ENG. OIL LINE	6
04994F	0A88290759	CLAMP, ENG. OIL LINE	2
04996B	0A88290791	EYEBOLT, ENG. OIL LINE, 10X34	1
04996C	0A88290862	EYEBOLT, ENG. OIL LINE, 12X23	1
04996D	0A88290123	EYEBOLT, ENG. OIL LINE, 10X20	1
04996E	0A88290794	EYEBOLT, ENG. OIL LINE, 10X20	2
04996F	0A88290801	EYEBOLT, ENG. OIL LINE, 10X34	1
04996H	0A88290798	EYEBOLT, ENG. OIL LINE, 10X26	2
04997	0A88290617	BOLT, ENG. OIL LINE, 6X35	3
04997D	0A88290720	BOLT, ENG. OIL LINE, 10X22	4
	0A88290733	BOLT, ENG. OIL LINE, 3/8-16UNC-27	2
04997E	0A88290620	BOLT, ENG. OIL LINE, 8X16	2
04997F	0A88290616	BOLT, ENG. OIL LINE, 6X25	1
04998B	0A88290694	GASKET, ENG. OIL LINE	2
04998D	0A88290693	GASKET, ENG. OIL LINE	14
04998E	0A88290695	GASKET, ENG. OIL LINE	2
04998H	0A88290700	GASKET, ENG. OIL LINE	2
04998J	0A88290679	GASKET, ENG. OIL LINE	1
	0A88290696	GASKET, ENG. OIL LINE	2
12537	0A88290192	GASKET, T/C OIL RETURN TUBE	2
12543L	0A88290242	HOSE, T/C OIL RETURN TUBE, LH	1
12543R	0A88290243	HOSE, T/C OIL RETURN TUBE, RH	1
12617E	0A88290388	TUBE, T/C OIL FEED	1
12617L	0A88290386	TUBE, T/C OIL FEED, LH	1
12617R	0A88290387	TUBE, T/C OIL FEED, RH	1
12621L	0A88290251	TUBE, T/C OIL RETURN, LH	1
12621R	0A88290252	TUBE, T/C OIL RETURN, RH	1

16.0L DIESEL FUEL FILTER AND HOSE

FUEL FILTER

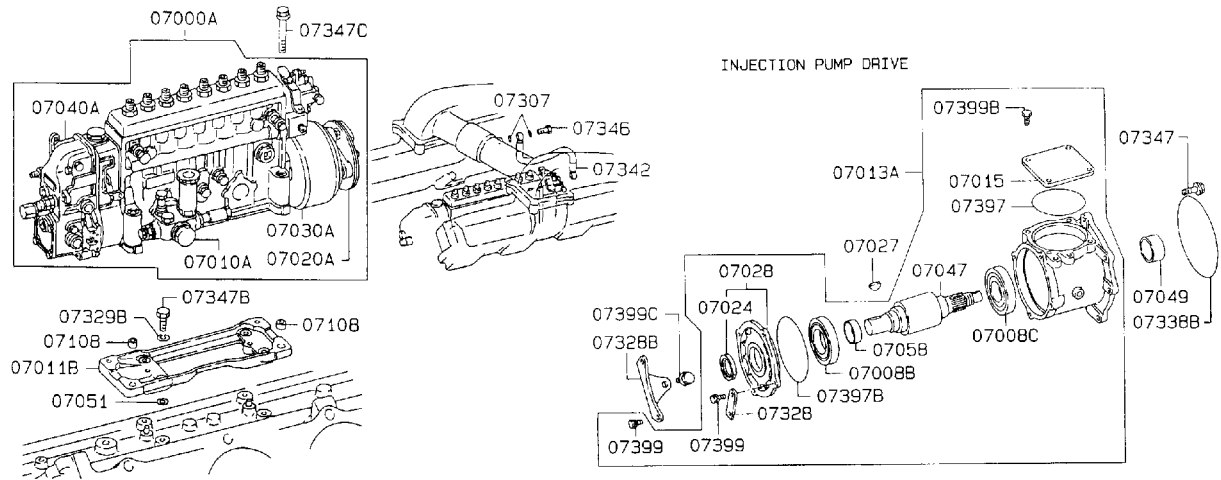


FUEL FEED PIPE-1



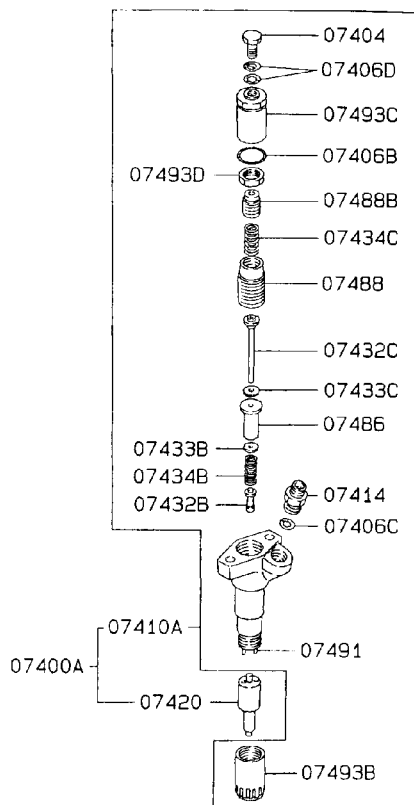
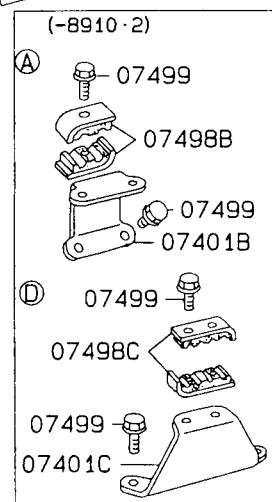
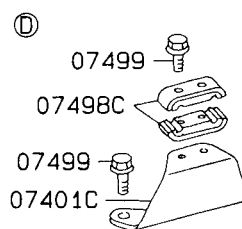
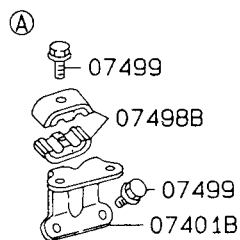
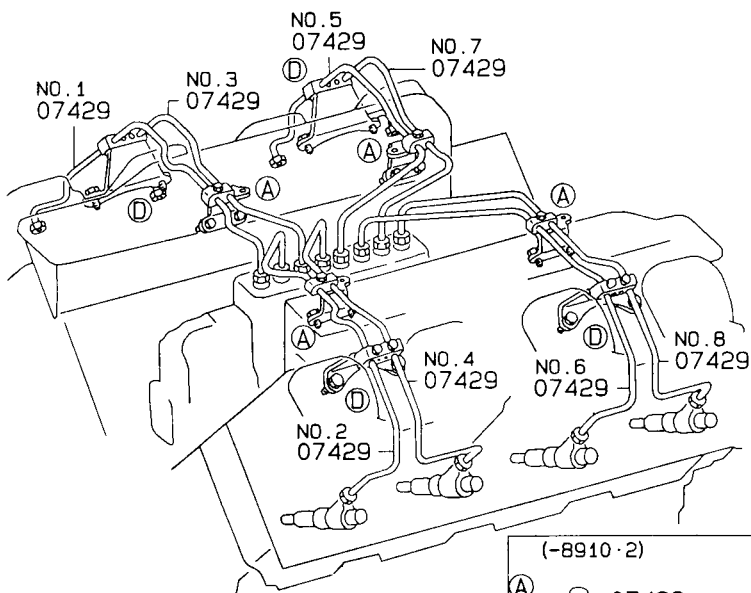
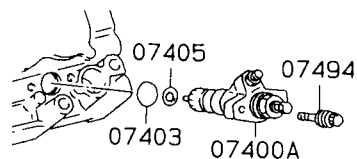
ITEM	PART NUMBER	DESCRIPTION	QTY
05300	0A88290194	FUEL FILTER	1
05300A	0A88290283	FUEL FILTER ASSY	1
05314	0A88290193	HEAD, FUEL FILTER	1
05392	0A88290181	PLUG, FUEL FILTER	1
05394C	0A88290776	GASKET, FUEL FILTER	4
05394F	0A88290775	GASKET, FUEL FILTER	1
05398	0A88290789	EYEBOLT, FUEL FILTER, 14X26	2
05402C	0A88290280	BRACKET, FUEL FEED TUBE	1
05404	0A88290281	BRACKET, FUEL SUCTION PIPE	1
05480M	0A88290400	TUBE, FUEL LINE	1
05480N	0A88290399	TUBE, FUEL LINE	1
05481V	0A88290680	WASHER, FUEL LINE	1
05483	0A88290271	SPACER, FUEL LINE	1
05488P	0A88290809	NUT, FUEL LINE, UNION	1
05488V	0A88290669	NUT, FUEL LINE, JAM	1
05491G	0A88290163	JOINT, FUEL LINE	1
05494C	0A88290763	CLAMP, FUEL LINE	2
05496M	0A88290617	BOLT, FUEL LINE, 6X35	4
05496P	0A88290716	BOLT, FUEL LINE, 10X20	2
05496S	0A88290729	BOLT, FUEL LINE, 12X25	2
05515	0A88290397	TUBE, FUEL PUMP SUCTION	1

16.0L DIESEL FUEL INJECTION PUMP



ITEM	PART NUMBER	DESCRIPTION	QTY
07000A	0A88290407	PUMP ASSY, FUEL INJECTION (TO 9904-3)	1
	0A88290402	PUMP ASSY, FUEL INJECTION (FROM 9905-1)	1
07008B	0A88290835	BEARING, INJECTION PUMP DRIVE GEAR	1
07008C	0A88290837	BEARING, INJECTION PUMP DRIVE GEAR	1
07010A	0A88290580	PUMP ASSY, INJECTION PUMP FUEL FEED	1
07011B	0A88290160	BRACKET, INJECTION PUMP	1
07013A	0A88290403	CASE ASSY, INJECTION PUMP DRIVE	1
07015	0A88290838	COVER, INJECTION PUMP DRIVE CASE	1
07020A	0A88290466	COUPLING ASSY, INJECTION PUMP	1
07024	0A88290843	OIL SEAL, INJECTION PUMP DRIVE SHAFT	1
07027	0A88290687	KEY, INJECTION PUMP CAMSHAFT DRIVE GEAR	1
07028	0A88290839	HOLDER, INJECTION PUMP DRIVE CASE	1
07030A	0A88290581	TIMER ASSY, INJECTION PUMP	1
07040A	0A88290583	GOVERNOR ASSY, INJECTION PUMP (TO 9904-3)	1
	0A88290841	GOVERNOR ASSY, INJECTION PUMP (FROM 9905-1)	1
07047	0A88290842	SHAFT, INJECTION PUMP DRIVE GEAR	1
07049	0A88290767	COLLAR, INJECTION PUMP DRIVE	1
07051	0A88290105	SHIM, INJECTION PUMP BRACKET, T=0.1	AR
	0A88290121	SHIM, INJECTION PUMP BRACKET, T=0.2	AR
07058	0A88290840	SLEEVE, INJECTION PUMP DRIVE SHAFT	1
07108	0A88290811	BUSHING, INJECTION PUMP BODY	2
07307	0A88290693	GASKET, INJECTION PUMP FUEL FEED PUMP	1
07328	0A88290836	STAY, INJECTION PUMP DRIVE	1
07328B	0A88290272	STAY, INJECTION PUMP DRIVE	1
07329B	0A88290677	WASHER, INJECTION PUMP	4
07338B	0A88290788	O-RING, INJECTION PUMP	1
07342	0A88290771	HOSE, INJECTION	1
07346	0A88290705	EYEBOLT, INJECTION PUMP (TO 9904-3)	1
07347	0A88290731	BOLT, FLANGE, 10X100	2
07347B	0A88290708	BOLT, INJECTION PUMP, 10X28	4
07347C	0A88290719	BOLT, FLANGE, 10X85	4
07397	0A88290879	O-RING, INJECTION PUMP DRIVE	1
07397B	0A88290880	O-RING, INJECTION PUMP DRIVE	1
07399	0A88290881	BOLT, INJECTION PUMP DRIVE	3
07399B	0A88290882	BOLT, INJECTION PUMP DRIVE, 10X20	4
07399C	0A88290711	BOLT, FLANGE, 10X16	1

16.0L DIESEL INJECTION PIPE AND NOZZLE



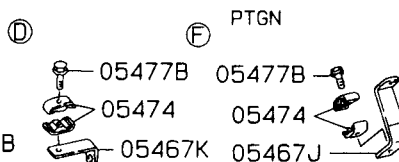
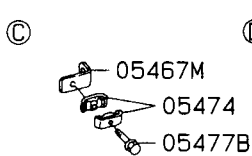
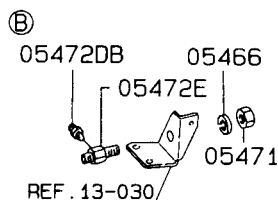
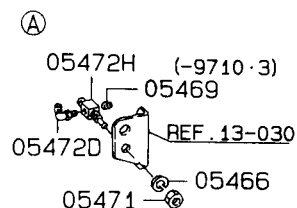
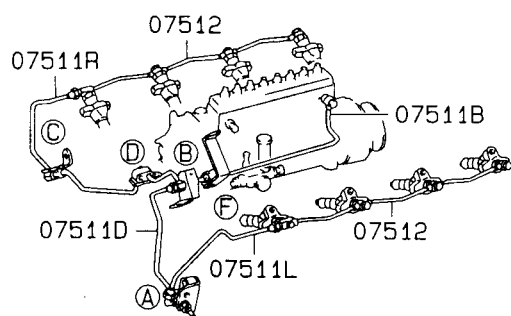
16.0L DIESEL INJECTION PIPE AND NOZZLE

ITEM	PART NUMBER	DESCRIPTION	QTY
07400A	0A88290406	NOZZLE AND HOLDER ASSY, FUEL INJECTION	8
07401B	0A88290317	BRACKET, FUEL INJECTION TUBE	4
07401C	0A88290316	BRACKET, FUEL INJECTION TUBE	4
07403	0A88290108	DUST SEAL, FUEL INJECTION NOZZLE HOLDER	8
07404	0A88290451	EYEBOLT, FUEL INJECTION NOZZLE	8
07405	0A88290109	GASKET, FUEL INJECTION NOZZLE	8
07406B	0A88290467	GASKET, FUEL INJECTION NOZZLE, INNER	8
07406C	0A88290450	GASKET, FUEL INJECTION NOZZLE, INNER	8
07406D	0A88290449	GASKET, FUEL INJECTION NOZZLE, INNER	16
07410A	0A88290463	HOLDER ASSY, FUEL INJECTION NOZZLE	8
07414	0A88290452	JOINT, FUEL INJECTION NOZZLE HOLDER	8
07420	0A88290582	NOZZLE, FUEL INJECTION	8
07429	0A88290312	TUBE, FUEL INJECTION, NO. 1	1
07429	0A88290200	TUBE, FUEL INJECTION, NO. 2	1
07429	0A88290201	TUBE, FUEL INJECTION, NO. 3	1
07429	0A88290313	TUBE, FUEL INJECTION, NO. 4	1
07429	0A88290314	TUBE, FUEL INJECTION, NO. 5	1
07429	0A88290203	TUBE, FUEL INJECTION, NO. 7	1
07429	0A88290315	TUBE, FUEL INJECTION, NO. 8	1
07429	0A88290267	TUBE, FUEL INJECTION, STRAIGHT	AR
07429	0A88290202	TUBE, FUEL INJECTION, NO. 6	1
07429	0A88290268	TUBE, FUEL INJECTION, STRAIGHT	AR
07432B	0A88290455	PUSH ROD, FUEL INJECTION NOZZLE HOLDER	8
07432C	0A88290459	PUSH ROD, FUEL INJECTION NOZZLE HOLDER	8
07433B	SEE NOTE	SHIM, FUEL INJECTION NOZZLE	AR
07433C	SEE NOTE	SHIM, FUEL INJECTION NOZZLE	AR
07434B	0A88290456	SPRING, FUEL INJECTION NOZZLE HOLDER	8
07434C	0A88290464	SPRING, FUEL INJECTION NOZZLE HOLDER	8
07486	0A88290457	SPACER, FUEL INJECTION NOZZLE	8
07488	0A88290458	SCREW, FUEL INJECTION NOZZLE	8
07488B	0A88290460	SCREW, FUEL INJECTION NOZZLE	8
07491	0A88290454	PIN, FUEL INJECTION NOZZLE	16
07493B	0A88290453	NUT, FUEL INJECTION NOZZLE	8
07493C	0A88290462	NUT, FUEL INJECTION NOZZLE	8
07493D	0A88290461	NUT, FUEL INJECTION NOZZLE	8
07494	0A88290710	BOLT, FUEL INJECTION NOZZLE	16
07498B	0A88290760	CLAMP, FUEL INJECTION TUBE	8
07498C	0A88290761	CLAMP, FUEL INJECTION TUBE	8
07499	0A88290616	BOLT, FUEL INJECTION TUBE, 6X25	13
	0A88290620	BOLT, FUEL INJECTION TUBE, 8X16	12
	0A88290636	BOLT, FUEL INJECTION TUBE, W/WASHER, 6X30	14
	0A88290637	BOLT, FUEL INJECTION TUBE, , W/WASHER, 6X32	12

NOTE: **07433B** AVAILABLE IN SIZES T=0.100, 0.200, 0.300, 0.400, 0.500, 0.52, 0.54, 0.56, 0.58, 0.60, 0.62, 0.64, 0.66, 0.68, 0.700, 0.720, 0.740, 0.760, 0.780, 0.800, 0.820, 0.840, 0.860, 0.880, 0.900, 0.920, 0.940, 0.960, 0.980, 1.000, 1.02, 1.04, 1.06, 1.08, 1.10, 1.12, 1.14, 1.16, 1.18, 1.20, 1.22, 1.24, 1.26, 1.28, 1.30, 1.32, 1.34, 1.36, 1.38, 1.40, 1.42, 1.44, 1.46, 1.48, 1.50, 1.52, 1.54 (SEE PAGE 42 FOR PART NUMBERS)

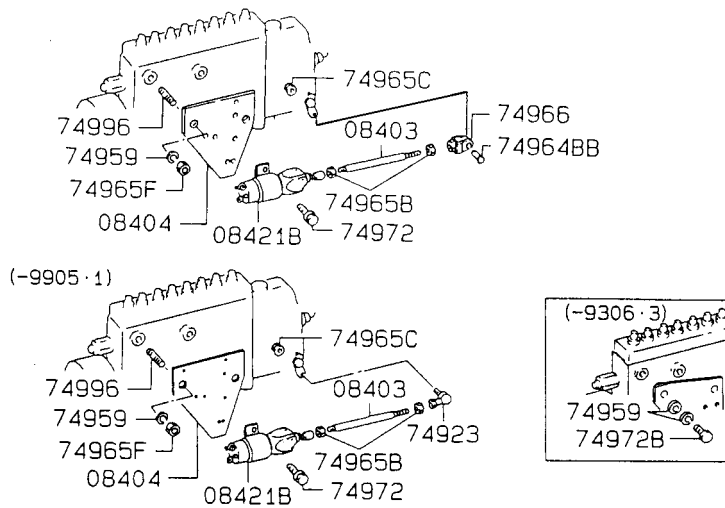
NOTE: **07433C** AVAILABLE IN SIZES T=0.75, 0.76, 0.77, 0.78, 0.79, 0.80, 0.81, 0.82, 0.83, 0.84, 0.85, 0.86, 0.87, 0.88, 0.89, 0.90, 0.91, 0.92, 0.93, 0.94, 0.95, 0.96, 0.97, 0.98, 0.99, 1.00, 1.01, 1.02, 1.03, 1.04, 1.05, 1.06, 1.07, 1.08, 1.09, 1.10, 1.11, 1.12, 1.13, 1.14, 1.15, 1.16, 1.17, 1.18, 1.19, 1.20, 1.21, 1.22, 1.23, 1.24, 1.25, 1.26, 1.27, 1.28, 1.29, 1.30, 1.31, 1.32, 1.33, 1.34, 1.35, 1.36, 1.37, 1.38, 1.39, 1.40, 1.41, 1.42, 1.43, 1.44, 1.45, 1.46, 1.47, 1.48, 1.49, 1.50 (SEE PAGE 42 FOR PART NUMBERS)

16.0L DIESEL FUEL RETURN HOSE



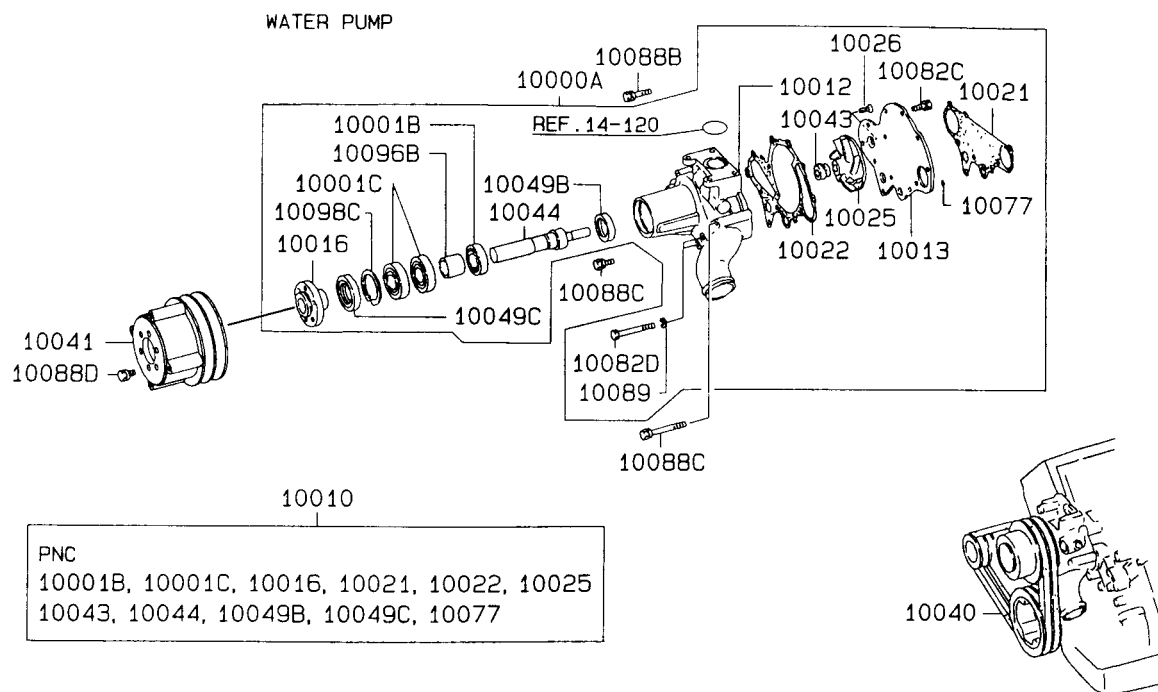
ITEM	PART NUMBER	DESCRIPTION	QTY
05466	0A88290678	GASKET, FUEL RETURN LINE, SPRING, 14	2
	0A88290679	GASKET, FUEL RETURN LINE, SPRING, 16	1
05467J	0A88290161	STAY, FUEL RETURN LINE	1
05467K	0A88290591	STAY, FUEL RETURN LINE	1
05467M	0A88290587	STAY, FUEL RETURN LINE	1
05469	0A88290703	PLUG, ENG. OIL PUMP INNER	1
05471	0A88290667	NUT, FUEL RETURN LINE, JAM, 14	2
	0A88290668	NUT, FUEL RETURN LINE, JAM, 16	1
05472D	0A88290142	JOINT, FUEL RETURN LINE	1
05472DB	0A88290803	JOINT, FUEL RETURN LINE	1
05472E	0A88290165	JOINT, FUEL RETURN LINE	1
05472H	0A88290873	JOINT, FUEL RETURN LINE (TO 9710-3)	1
	0A88290804	JOINT, FUEL RETURN LINE (FROM 9711-1)	1
05474	0A88290764	CLAMP, FUEL RETURN LINE	6
05477B	0A88290616	BOLT, FUEL RETURN LINE, 6X25	2
	0A88290617	BOLT, FUEL RETURN LINE, 6X35	3
	0A88290618	BOLT, FUEL RETURN LINE, 6X40	1
07511B	0A88290398	TUBE, INJECTION PUMP FUEL RETURN	1
07511D	0A88290278	TUBE, INJECTION PUMP FUEL RETURN	1
07511L	0A88290404	TUBE, INJECTION PUMP FUEL RETURN, LH	1
07511R	0A88290405	TUBE, INJECTION PUMP FUEL RETURN, RH	1
07512	0A88290336	TUBE, FUEL INJECTION NOZZLE FUEL RETURN	2

16.0L DIESEL EMERGENCY EQUIPMENT



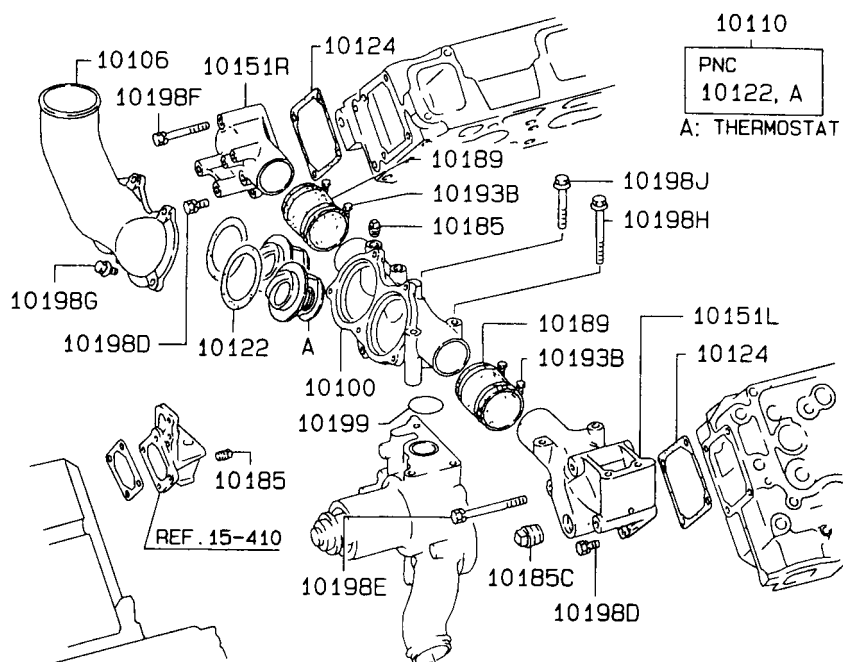
ITEM	PART NUMBER	DESCRIPTION	QTY
08403	0A88290408	ROD, ENGINE STOP SOLENOID	1
08404	0A88290831	BRACKET, ENGINE STOP SOLENOID (TO 9707-2)	1
	0A88290409	BRACKET, ENGINE STOP SOLENOID (9707-3 TO 9905-1)	1
	0A88290410	BRACKET, ENGINE STOP SOLENOID (FROM 9905-2)	1
08421B	0A88290183	SOLENOID, ENGINE STOP	1
74923	0A88290167	BALL JOINT, EMERGENCY EQUIPMENT	1
74959	0A88290672	WASHER, PLAIN, 6	1
	0A88290859	WASHER, SPRING, 16	2
74964BB	0A88290686	PIN, 6X16	1
74965B	0A88290856	NUT, JAM, 6 (TO 9811-3)	2
	0A88290664	NUT, 6 (FROM 9812-1)	2
074965C	0A88290670	NUT	2
74965F	0A88290666	NUT, 16	2
74966	0A88290168	CLEVIS	1
74972	0A88290740	BOLT, 6X12	2
	0A88290619	BOLT, 8X12	4
74972B	0A88290847	BOLT, 16X35	1
	0A88290848	BOLT, 16X40	1
74996	0A88290744	STUD	2

16.0L DIESEL WATER PUMP



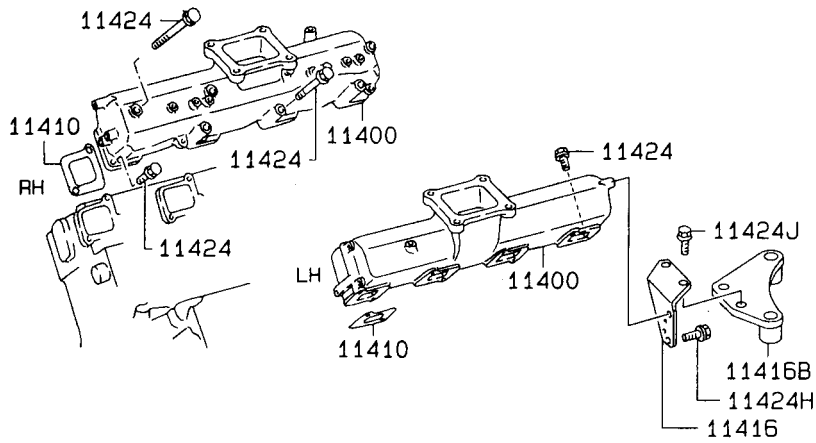
ITEM	PART NUMBER	DESCRIPTION	QTY
10000A	0A88290604	WATER PUMP ASSY	1
10001B	0A88290814	BEARING, WATER PUMP	1
10001C	0A88290815	BEARING, WATER PUMP	2
10010	0A88290593	WATER PUMP KIT	1
10012	0A88290396	CASE, WATER PUMP	1
10013	0A88290285	COVER, WATER PUMP	1
10016	0A88290393	FLANGE, WATER PUMP PULLEY DRIVE	1
10021	0A88290284	GASKET, WATER PUMP	1
10022	0A88290286	GASKET, WATER PUMP CASE TO COVER	1
10025	0A88290326	IMPELLER, WATER PUMP	1
10026	0A88290633	SCREW, WATER PUMP INNER	1
10040	0A88290584	BELT, ALTERNATOR	1
10041	0A88290395	PULLEY, WATER PUMP	1
10043	0A88290327	SEAL UNIT, WATER PUMP SHAFT	1
10044	0A88290392	SHAFT, WATER PUMP	1
10049B	0A88290288	OIL SEAL, WATER PUMP SHAFT	1
10049C	0A88290309	OIL SEAL, WATER PUMP SHAFT	1
10077	0A88290287	O-RING, WATER PUMP INNER	1
10082C	0A88290640	BOLT, WATER PUMP INNER, W/WASHER, 8X20	3
10082D	0A88290610	BOLT, WATER PUMP INNER, 10X100	2
10088B	0A88290649	BOLT, WATER PUMP , W/WASHER, 10X55	4
10088C	0A88290652	BOLT, WATER PUMP , W/WASHER, 10X100	1
	0A88290647	BOLT, WATER PUMP , W/WASHER, 10X35	1
10088D	0A88290729	BOLT, WATER PUMP , FLANGE 12X25	6
10089	0A88290677	WASHER, WATER PUMP INNER, SPRING, 10	2
10096B	0A88290158	SPACER, WATER PUMP INNER T=41	1
10098C	0A88290691	SNAP RING, WATER PUMP INNER	1

16.0L DIESEL WATER PIPE AND THERMOSTAT



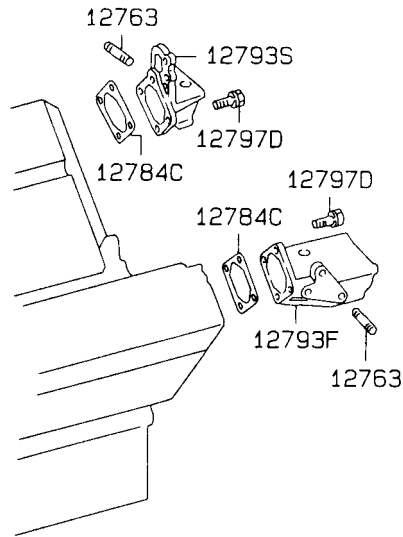
ITEM	PART NUMBER	DESCRIPTION	QTY
10100	0A88290197	CASE, THERMOSTAT	1
10106	0A88290829	COVER, THERMOSTAT CASE	1
10110	0A88290606	THERMOSTAT KIT	1
10122	0A88290263	GASKET, THERMOSTAT COVER	2
10124	0A88290828	GASKET, COOLANT OUTLET HOSE FITTING	2
10151L	0A88290394	PIPE, COOLANT OUTLET, LH	1
10151R	0A88290264	PIPE, COOLANT OUTLET, RH	1
10185	0A88290823	PLUG, COOLANT LINE	2
10185C	0A88290824	PLUG, COOLANT LINE	1
10189	0A88290262	HOSE, COOLANT LINE	2
10193B	0A88290762	CLIP, COOLANT LINE, D=65	4
	0A88290757	CLIP, COOLANT LINE, D=85	2
10198D	0A88290645	BOLT, COOLANT LINE, W/WASHER, 10X25	3
	0A88290649	BOLT, COOLANT LINE, W/WASHER, 10X55	5
	0A88290650	BOLT, COOLANT LINE, W/WASHER, 10X60	3
10198E	0A88290727	BOLT, COOLANT LINE, FLANGE, 10X105	1
	0A88290707	BOLT, COOLANT LINE, W/WASHER, 10X105	3
10198F	0A88290651	BOLT, COOLANT LINE, W/WASHER, 10X75	2
10198G	0A88290717	BOLT, COOLANT LINE, FLANGE, 10X25	6
	0A88290621	BOLT, COOLANT LINE, FLANGE, 8X20	5
10198H	0A88290724	BOLT, COOLANT LINE, FLANGE, 10X90	2
10198J	0A88290715	BOLT, COOLANT LINE, FLANGE, 10X65	1
	0A88290805	BOLT, COOLANT LINE, FLANGE, 16X95	1
10199	0A88290688	O-RING, COOLANT LINE	1

16.0L DIESEL INLET MANIFOLD



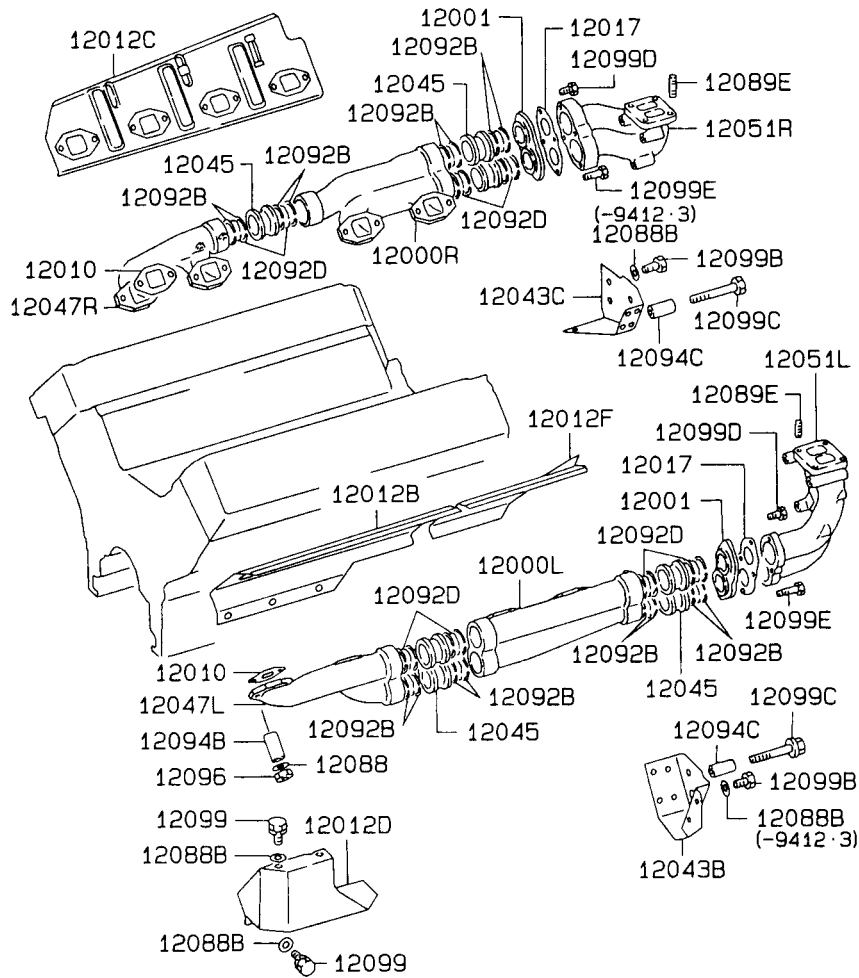
ITEM	PART NUMBER	DESCRIPTION	QTY
11400	0A88290239	MANIFOLD, INLET	2
11410	0A88290303	GASKET, INLET MANIFOLD	8
11416	0A88290383	BRACKET, INLET MANIFILD COUPLING	1
11416B	0A88290384	BRACKET, INLET MANIFILD COUPLING	1
11424	0A88290731	BOLT, INLET MANIFOLD, NO.1, FLANGE, 10X100	1
	0A88290726	BOLT, INLET MANIFOLD, NO.1, FLANGE, 10X125	8
	0A88290717	BOLT, INLET MANIFOLD, NO.1, FLANGE, 10X25	8
	0A88290718	BOLT, INLET MANIFOLD, NO.1, FLANGE, 10X35	8
	0A88290714	BOLT, INLET MANIFOLD, NO.1, FLANGE, 10X40	3
	0A88290723	BOLT, INLET MANIFOLD, NO.1, FLANGE, 10X95	5
11424H	0A88290622	BOLT, INLET MANIFOLD, NO.1, FLANGE, 8X16	6
11424J	0A88290630	BOLT, INLET MANIFOLD, NO.1, FLANGE, 10X25	2

16.0L DIESEL TURBOCHARGER BRACKETS



ITEM	PART NUMBER	DESCRIPTION	QTY
12763	0A88290663	STUD, T/C, 10X35	6
12784C	0A88290209	GASKET, T/C	2
12793F	0A88290234	BRACKET, TURBOCHARGER	1
12793S	0A88290211	BRACKET, TURBOCHARGER	1
12797D	0A88290807	BOLT, T/C, W/WASHER, 10X30	8

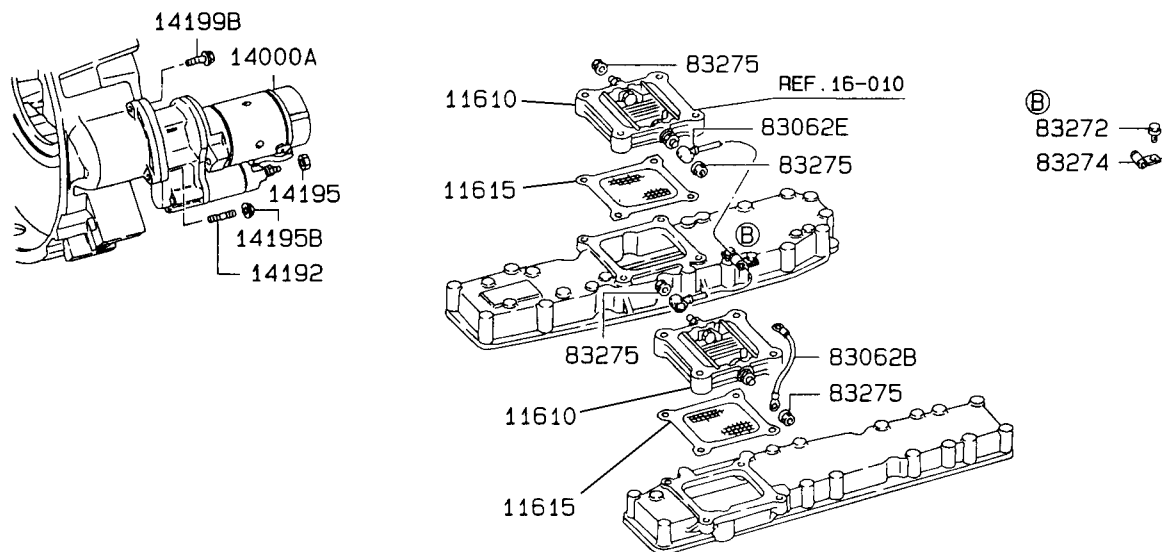
16.0L DIESEL EXHAUST MANIFOLD



16.0L DIESEL EXHAUST MANIFOLD

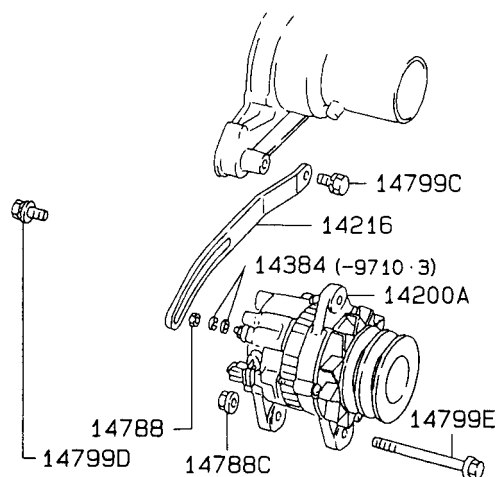
ITEM	PART NUMBER	DESCRIPTION	QTY
12000L	0A88290228	MANIFOLD, EXHAUST, LH	1
12000R	0A88290233	MANIFOLD, EXHAUST, RH	1
12001	0A88290227	ADAPTER, EXHAUST MANIFOLD	2
12010	0A88290266	GASKET, EXHAUST MANIFOLD	8
12012B	0A88290304	COVER, EXHAUST MANIFOLD	1
12012C	0A88290293	COVER, EXHAUST MANIFOLD	1
12012D	0A88290298	COVER, EXHAUST MANIFOLD	1
12012F	0A88290351	COVER, EXHAUST MANIFOLD	1
12017	0A88290226	GASKET, EXHAUST MAIN MANIFOLD	2
12043B	0A88290337	INSULATOR, EXHAUST MANIFOLD HEAT	1
12043C	0A88290338	INSULATOR, EXHAUST MANIFOLD HEAT	1
12045	0A88290104	JOINT, EXHAUST MANIFOLD	7
12047L	0A88290141	MANIFOLD, EXHAUST, FR LH	1
12047R	0A88290140	MANIFOLD, EXHAUST, FR RH	1
12051L	0A88290307	MANIFOLD, EXHAUST, RR LH	1
12051R	0A88290308	MANIFOLD, EXHAUST, RR RH	1
12088	0A88290748	WASHER, EXHAUST MANIFOLD	20
12088B	0A88290673	WASHER, EXHAUST MANIFOLD	5
12089E	0A88290662	STUD, EXHAUST MANIFOLD, 10X30	8
12092B	0A88290265	SEAL RING, EXHAUST MANIFOLD	28
12092D	0A88290189	SEAL RING, EXHAUST MANIFOLD	14
12094B	0A88290585	SPACER, EXHAUST MANIFOLD, T=18	20
12094C	0A88290768	SPACER, EXHAUST MANIFOLD, T=27	6
12096	0A88290745	NUT, EXHAUST MANIFOLD, SELF LOCKING	16
12099	0A88290709	BOLT, EXHAUST MANIFOLD, W/WASHER, 8X12	8
	0A88290639	BOLT, EXHAUST MANIFOLD, W/WASHER, 8X16	9
12099B	0A88290709	BOLT, EXHAUST MANIFOLD, W/WASHER, 8X12	8
12099C	0A88290180	BOLT, EXHAUST MANIFOLD, FLANGE, 12X161	6
12099D	0A88290741	BOLT, EXHAUST MANIFOLD, 10X52	6
12099E	0A88290739	BOLT, EXHAUST MANIFOLD, 10X122	2

16.0L DIESEL STARTER AND INTAKE AIR HEATER



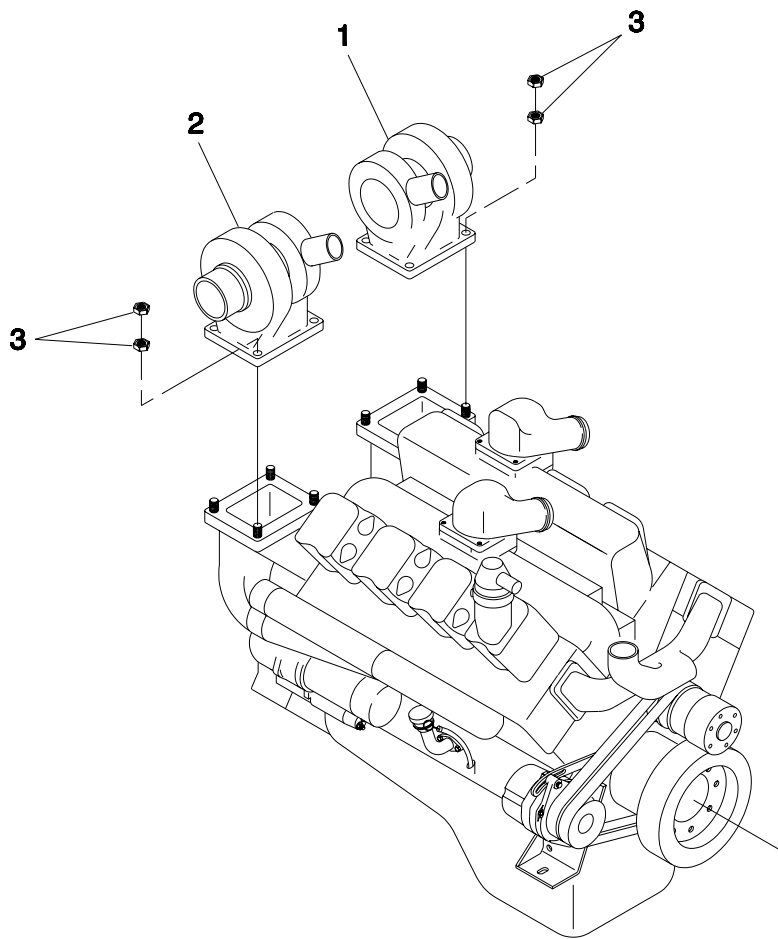
ITEM	PART NUMBER	DESCRIPTION	QTY
11610	0A88290273	HEATER, AIR INTAKE	2
11615	0A88290302	GASKET, INTAKE AIR HEATER (TO 9904-3)	2
11615	0A88290302	GASKET, INTAKE AIR HEATER (FROM 9905-1)	4
14000A	0A88290275	STARTER ASSY (TO 9908-3)	1
	0A88290431	STARTER ASSY (FROM 9909-1)	1
14192	0A88290855	STUD, STARTER, 12X35	1
14195	0A88290870	NUT, STARTER	1
14195B	0A88290857	NUT, STARTER, FLANGE, 12	1
14199B	0A88290868	BOLT, STARTER, FLANGE, 12X40	2
83062B	0A88290162	HARNESS, INTAKE AIR HEATER	1
83062E	0A88290274	HARNESS, INTAKE AIR HEATER	1
83272	0A88290740	BOLT, FLANGE, 6X12	2
83274	0A88290758	CLIP, ENG. WIRING	1
83275	0A88290670	NUT, FLANGE, 6	5

16.0L DIESEL ALTERNATOR



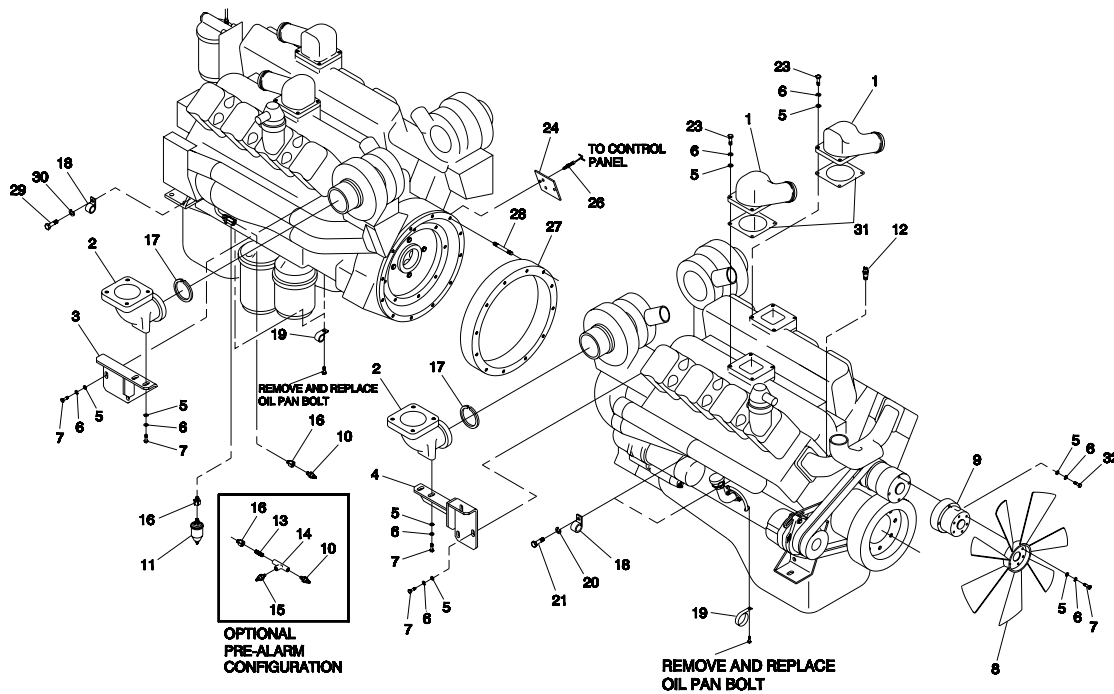
ITEM	PART NUMBER	DESCRIPTION	QTY
14200A	0A88290184	ALTERNATOR ASSY	1
14216	0A88290830	BRACE, ALTERNATOR ADJUSTING	1
14384	0A88290858	WASHER, PLAIN	1
	0A88290860	WASHER, SPRING	1
14788	0A88290874	NUT, FLANGE	1
14788C	0A88290857	NUT, FLNGE, 12	1
14799C	0A88290851	BOLT, FLANGE, 12X40	2
	0A88290850	BOLT, FLANGE, 12X45	1
	0A88290852	BOLT, W,WASHER, 14X30	1
14799D	0A88290863	BOLT, W/WASHER, 12X30	1
	0A88290864	BOLT, 12X120	1
14799E	0A88290865	BOLT, FLANGE, 12X125	1
	0A88290867	BOLT, FLANGE, 12X135	1

16.0L DIESEL TURBOCHARGERS



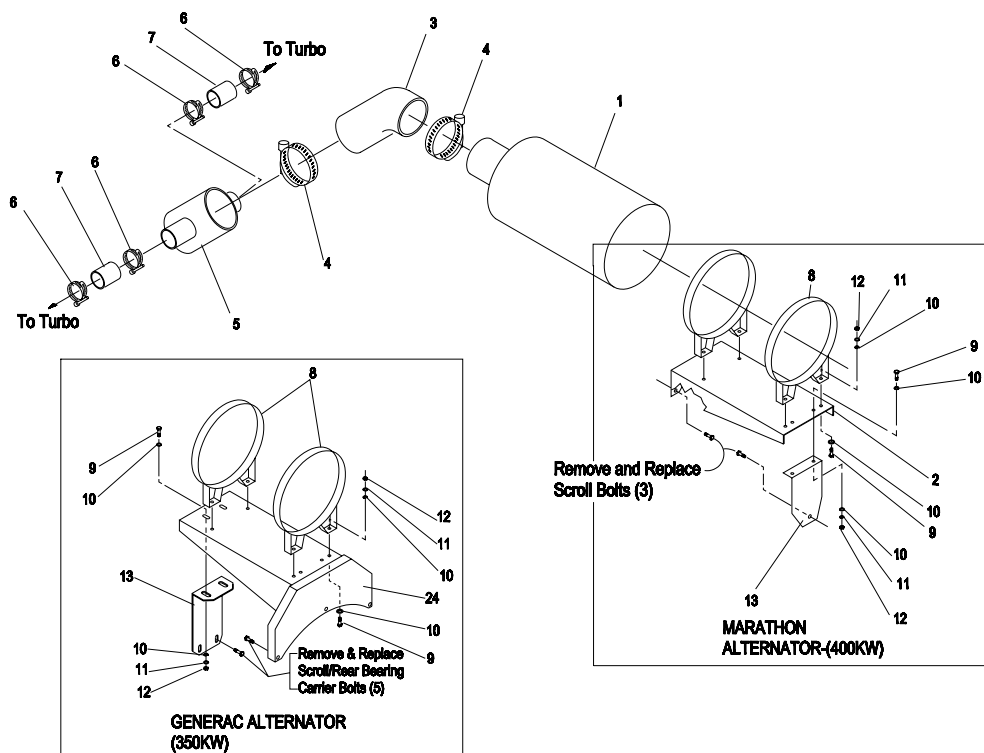
ITEM	PART NUMBER	DESCRIPTION	QTY
1	C2365	TURBO 16L L.H.	1
2	C2366	TURBO 16L R.H.	1
3	74009	HEX NUT M10-1.5 CAD PLATED	16

16.0L DIESEL ENGINE COMMON PARTS



ITEM	PART NUMBER	DESCRIPTION	QTY
1	C1603	ADAPTER, INTAKE MANIFOLD 1.6L	2
2	C1848	EXHAUST ELBOW, 1.6L	2
3	C1722	BRACKET, EXHAUST ELBOW L.H.	1
4	C1724	BRACKET, EXHAUST ELBOW R.H.	1
5	22131	FLAT WASHER, 3/8"-M10	28
6	46526	LOCK WASHER, 3/8"-M10	28
7	49814	HHCS, M10-1.5 X 25 GRADE 8.8	16
8	A6626	FAN, 30" DIA.	1
9	C1735	FAN SPACER, 1.6L	1
10	A8584	SWITCH, OIL PRESSURE	1
11	53666	SENDER, OIL PRESSURE (GENERAC ALTERNATOR)	1
	C1134	SENDER, OIL PRESSURE (MARATHON ALTERNATOR)	1
12	53667	SENDER, COOLANT TEMP.	1
13	35578	CLOSE NIPPLE, 1/8" NPT	1*
14	35430	PIPE TEE, 1/8" NPT	1*
15	A6814A	SWITCH, LOW OIL PRESSURE (GENERAC ALT.)	1*
	A6814	SWITCH, LOW OIL PRESSURE (MARATHON ALT.)	1*
16	A7189	ADAPTER, M16-1.5 X 1/8" NPT	2
17	C2075	EXHAUST, SEALING RING	2
18	55934C	VINYL COATED CABLE CLAMP, 1/2" I.D.	2
19	55934D	VINYL COATED CABLE CLAMP, 1" I.D.	3
20	22129	LOCK WASHER, 5/16"-M8	1
21	42907	HHCS, M8-1.25 X 16	1
22	C2240	HARNESS, ENGINE 1.6L (NOT SHOWN)	1
23	52243	HHCS, M10-1.5 X 60	8
24	C2405	BRACKET, MAGNETIC PICKUP	1
25	C2407	FLYWHEEL HOUSING W/TAPPED HOLES	1
26	82130D	MAGNETIC PICKUP	1
27	A6578	SPACER, FLYWHEEL	1
28	04576100CC	STUD, M10-1.5 X 130	12
29	45757	HHCS, M6-1.0 X 20	1
30	22097	LOCK WASHER, M6-1/4"	1
31	C2780	GASKET, AIR INTAKE	2
32	A8598	SHCS M10-1.5 X 70	4

16.0L DIESEL AIR CLEANER ASSEMBLY



ITEM	PART NUMBER	DESCRIPTION	QTY
1	C1993	AIR CLEANER, 11" O.D. 7" OUTLET	1
2	C1992	BRACKET, AIR CLEANER 16L/400KW	1
	C3331	BRACKET, AIR CLEANER 16L/350KW	1
3	C2239	45 DEG. HUMP, REDUCER 7" TO 6"	1
4	86133N	CLAMP, HIGH TORQUE, 7-5/8" MAX.	2
5	C1952	TURBO AIR INTAKE, 16L	1
6	86133F	CLAMP, HIGH TORQUE, 4-1/8" MAX	4
7	A5260A	HOSE, 3" I.D. X 3" LONG	2
8	C1994	MOUNTING BAND, 11"	2
9	43107	HHCS, M8-1.5 X 25	6
10	22145	FLAT WASHER, 5/16"-M8	12
11	22129	LOCK WASHER, 5/16"-M8	6
12	45771	HEX NUT, M8-1.5	6
13	C2659	BRACKET, AIR CLEANER 16L/400KW	1
	C3332	BRACKET, AIR CLEANER 16L/350KW	1

16.0L DIESEL INJECTION NOZZLE SHIMS

07433B – SHIM, FUEL INJECTION NOZZLE

AVAILABLE IN SIZES T = 0.100	0A88290576
0.200	0A88290577
0.300	0A88290578
0.400	0A88290579
0.500	0A88290439
0.52	0A88290440
0.54	0A88290441
0.56	0A88290442
0.58	0A88290443
0.60	0A88290444
0.62	0A88290445
0.64	0A88290446
0.66	0A88290447
0.68	0A88290448
0.700	0A88290468
0.720	0A88290469
0.740	0A88290470
0.760	0A88290170
0.780	0A88290471
0.800	0A88290472
0.820	0A88290171
0.840	0A88290473
0.860	0A88290474
0.880	0A88290172
0.900	0A88290475
0.920	0A88290476
0.940	0A88290173
0.960	0A88290477
0.980	0A88290478
1.000	0A88290174
1.02	0A88290438
1.04	0A88290479
1.06	0A88290175
1.08	0A88290480
1.10	0A88290481
1.12	0A88290176
1.14	0A88290482
1.16	0A88290483
1.18	0A88290177
1.20	0A88290484
1.22	0A88290485
1.24	0A88290178
1.26	0A88290486
1.280	0A88290487
1.300	0A88290179
1.32	0A88290488
1.34	0A88290489
1.36	0A88290490
1.38	0A88290491
1.40	0A88290492
1.42	0A88290493
1.44	0A88290494
1.46	0A88290495
1.48	0A88290496
1.50	0A88290497
1.52	0A88290498
1.54	0A88290499

07433C – SHIM, FUEL INJECTION NOZZLE

AVAILABLE IN SIZES T = 0.75	0A88290500
0.76	0A88290501
0.77	0A88290502
0.78	0A88290503
0.79	0A88290504
0.80	0A88290505
0.81	0A88290506
0.82	0A88290507
0.83	0A88290508
0.84	0A88290509
0.85	0A88290510
0.86	0A88290511
0.87	0A88290512
0.88	0A88290513
0.89	0A88290514
0.90	0A88290515
0.91	0A88290516
0.92	0A88290517
0.93	0A88290518
0.94	0A88290519
0.95	0A88290520
0.96	0A88290521
0.97	0A88290522
0.98	0A88290523
0.99	0A88290524
1.00	0A88290525
1.01	0A88290526
1.02	0A88290527
1.03	0A88290528
1.04	0A88290529
1.05	0A88290530
1.06	0A88290531
1.07	0A88290532
1.08	0A88290533
1.09	0A88290534
1.10	0A88290535
1.11	0A88290536
1.12	0A88290537
1.13	0A88290538
1.14	0A88290539
1.15	0A88290540
1.16	0A88290541
1.17	0A88290542
1.18	0A88290543
1.19	0A88290544
1.20	0A88290545
1.21	0A88290546
1.22	0A88290547
1.23	0A88290548
1.24	0A88290549
1.25	0A88290550
1.26	0A88290551
1.27	0A88290552
1.28	0A88290553
1.29	0A88290554
1.30	0A88290555
1.31	0A88290556
1.32	0A88290557
1.33	0A88290558
1.34	0A88290559
1.35	0A88290560
1.36	0A88290561
1.37	0A88290562
1.38	0A88290563
1.39	0A88290564
1.40	0A88290565
1.41	0A88290566
1.42	0A88290567
1.43	0A88290568
1.44	0A88290569
1.45	0A88290570
1.46	0A88290571
1.47	0A88290572
1.48	0A88290573
1.49	0A88290574
1.50	0A88290575

Ultimate Service Dealers (USD's)

A/C Energy (IL, WI, IN)

3320 Louise Ave
Steger, IL 60475
Parts: 800-800-0822
Ph: 708-758-2007
Fx: 708-758-2031

AAA Generator & Pump, Inc.

2546 Franklin St.
Ft. Myers, FL 33901
Parts: 800-441-0906
Ph: 941-332-1136
Fx: 941-332-8655

ARRCO Company Services, Inc.

9918 S. Perdue Ave.
Baton Rouge, LA 70814
Parts: 877-706-2722
Ph: 225-275-2722
Fx: 225-275-1198

Billiou's, Inc.

(CA, NV, UT, CO, AZ, ID, OR, WA, AK, HI)
1343 S. Main St.
Porterville, CA 93257
Parts: 800-245-5468 (dlr)
877-245-5468 (end users)
Ph: 559-784-4102
Fx: 559-781-1875

Clifford Power Systems

(KS, OK, AR, MO, TX no. of I-20)
9310 E. 46th St., No.
Tulsa, OK 74117
Parts: 800-324-0066
Ph: 918-836-0066
Fx: 918-836-0094

Clifford Power Systems

101 Industrial Blvd.
Mansfield, TX 76063
Parts: 800-886-9203
Ph: 817-640-5544
Fx: 817-453-0219

Dixie Sales Company, Inc.

P. O. Box 1408
Greensboro, NC 27402-1408
Parts: 800-753-4943
Ph: 336-375-7500
Fx: 800-535-2862 or 336-621-3555

EGN Distributing

(AL, FL - Panhandle)
2805 6th Ave., So.
Birmingham, AL 35233
Parts: 800-824-0139
Ph: 205-581-1335
Fx: 205-581-1337

Energy Systems, Inc.

(CA, NV, UT)
2619 Lycoming St. #100
Stockton, CA 95206
Parts: 800-250-8085
Ph: 209-983-6900
Fx: 209-983-8919

Frontier Equipment, Ltd.

8029 River Way
Delta, BC Canada V4G 1G9
Parts: 877-946-5531
Ph: 604-946-5531
Fx: 604-946-8524

Hunter & Lomison

(PA, NY - west of I-81)
1956 W. Fourth St.
Williamsport, PA 17701
Parts: 800-922-9540
Ph: 570-326-1764
Fx: 570-326-5042

Huntington Power Co.

(ME, VT, NH, Ea. NY, MA, CT, RI, NJ)
8 Algonkin Rd.
Shelton, CT 06484
Parts: 800-473-1408
So. Windsor: 860-289-8790
Ph: 203-929-3203
Fx: 800-473-7817

Indiana Power & Supply

(KY, OH, IN)
1415 Country Club Rd.
Indianapolis, IN 46234
Parts: 800-229-1672
Ph: 317-271-1672
Fx: 317-271-1673

Kelly Gen. & Equip.

(VA, WV, MD, DE)
8421 Westphalia Rd.
Upper Marlboro, MD 20774
Parts: 800-677-3815
Ph: 301-420-3983
Fx: 301-735-4563

M & I Generator Power Systems

292 E. Mallory
Memphis, TN 38109
Parts: 800-336-0779
Ph: 901-775-1204
Fx: 901-775-3952

Marr Brothers

(TX, NM, OK, AR, LA, MS)
423 E. Jefferson
Dallas, TX 75209
Parts: 800-627-7276
Ph: 214-948-7387
Fx: 800-967-1259

National Generator Service

(NC, SC, GA, TN)
7715 Park Place Rd.
York, SC 29745
Parts: 800-843-9103
Ph: 803-684-0085
Fx: 803-684-1228

Nickel Equipment

1006 S. Division Ave.
Grand Rapids, MI 49507-1022
Parts: 800-638-2440
Ph: 616-241-2448
Fx: 616-241-4095

Piedmont Power Products

5909 Harold Meadow Rd.
Julian, NC 27283
Parts: 800-861-8622
Ph: 336-685-4100
Fx: 336-685-9007

R. B. Grove

(FL, except Panhandle)
261 SW 6th Street
Miami, FL 33130
Parts: 800-281-7545
Ph: 305-854-5420
Fx: 305-854-0532

Rocky Mountain

6301 N. Broadway
Denver, CO 80216
Parts: 800-337-8480
Ph: 303-428-2517
Fax: 303-428-6785

Southwest Products Supply

5143 W. Roosevelt
Phoenix, AZ 85043
Parts: 800-858-0033
Ph: 602-269-3581
Fx: 602-269-8448

T.W. Enterprises

(MT, WY, ID)
2059 N. 9th Rd.
Worden, MT 59088
Parts: 800-955-3795
Ph: 406-245-4600
Fx: 406-245-4333

Total Power

5080 Timberlea Blvd., #25
Mississauga, Ontario
Canada, L4W 4M2
Parts: 888-870-9152
Ph: 905-238-1529
Fx: 905-238-1533

Wolverine Power

11598 E. Lakewood Blvd.
Holland, MI 49424-8619
Parts: 800-485-8068
Ph: 616-820-0503
Fx: 616-820-0506

Zabatt, Inc.

(FL, So. American, PR & Caribbean)
4612 Highway Ave.
Jacksonville, FL 32254
Parts: 800-366-1323
Ph: 904-384-4505
Fx: 904-384-6478

