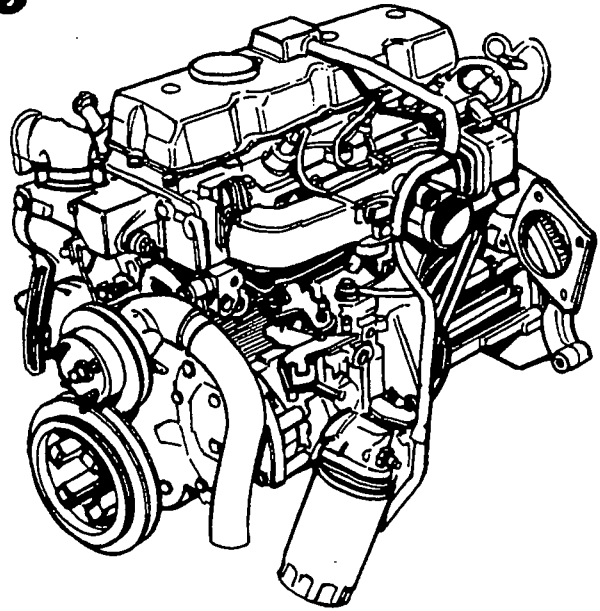


PB24000D

GENERAC®
One-Stop Service



2.4

DIESEL

**PARTS
MANUAL**

P.O. BOX 8 WAUKESHA WI 53187

PHONE: (414) 544-4811 / FAX: (414) 544-0179

PRINTED IN U.S.A.

ISSUED: 06/21/97

2.4L DIESEL TABLE OF CONTENTS

ENGINE SERVICE RECOMMENDATIONS	2
QUICK REFERENCE GUIDE	3
CYLINDER HEAD AND COVER	4
CYLINDER BLOCK	6
OIL PAN / ENGINE COVERS	8
CRANKSHAFT AND PISTONS	10
VALVE TRAIN	12
MANIFOLDS	14
FUEL SYSTEM	16
OIL PUMP AND FILTER	18
WATER PUMP	20
STARTER / GLOW PLUGS	21
ENGINE FINISH PARTS:	
VERSION 1 WITH DELCO ALTERNATOR	22
VERSION 2 WITH DELCO ALTERNATOR	24
VERSION 3 WITH GENERAC ALTERNATOR	26

LEGEND

“AR” AS REQUIRED

(STD) STANDARD SIZE

“O/S” OVERSIZE

“U/S” UNDERSIZE

NOTICE!

THE INFORMATION IN THIS MANUAL IS KNOWN TO BE ACCURATE AS OF THE DATE OF RELEASE SHOWN ON THE COVER. HOWEVER, ENGINEERING CHANGES CAN OCCUR WITHOUT NOTICE. TO OBTAIN THE PROPER PARTS, PLEASE BE SURE TO USE THE MODEL NUMBER OF THE UNIT BEING SERVICED WHEN ORDERING FROM THIS MANUAL.

2.4L DIESEL ENGINE SERVICE RECOMMENDATIONS

SPECIFICATIONS:

CRANKCASE OIL CAPACITY:
COOLING SYSTEM CAPACITY:

7.0 U.S. QUARTS (6.6 LITERS)
2.8 U.S. GALLONS (11.1 LITERS)

RECOMMENDED FLUIDS:

COOLANT:

USE A 50/50 MIXTURE OF LOW-SILICATE ETHYLENE GLYCOL BASE ANTI-FREEZE AND SOFT WATER. (IF DESIRED, A HIGH QUALITY RUST INHIBITOR MAY BE ADDED TO THE RECOMMENDED COOLANT MIXTURE.) WHEN ADDING COOLANT, ALWAYS ADD THE RECOMMENDED 50/50 MIXTURE.

ENGINE OIL:

USE A HIGH QUALITY DETERGENT OIL CLASSIFIED *FOR SERVICE SC, SD, SE, OR SF.* DETERGENT OILS KEEP THE ENGINE CLEANER AND REDUCE CARBON DEPOSITS. USE OIL HAVING THE FOLLOWING SAE VISCOSITY RATING BASED ON THE AMBIENT TEMPERATURE RANGE ANTICIPATED BEFORE THE NEXT OIL CHANGE.

TEMPERATURE	RECOMMENDED OIL GRADE
ABOVE 80°F	SAE 30W
30° TO 80°F	SAE 20W-20
BELOW 32°F	SAE 10W

PERIODIC MAINTENANCE SCHEDULE:

AFTER FIRST 30 HOURS OF OPERATION

CHANGE ENGINE CRANKCASE OIL AND OIL FILTER.

EVERY SIX MONTHS

CHANGE ENGINE OIL AND FILTER
LUBRICATE ENGINE CONTROLS
SERVICE ENGINE AIR CLEANER
SERVICE ENGINE FUEL FILTER
INSPECT FAN BELTS
CHECK ENGINE COOLANT LEVEL
INSPECT ENGINE COOLING SYSTEM HOSES

EVERY TWO YEARS

REPLACE ALL RUBBER HOSES
REPLACE ENGINE FAN BELTS
DRAIN, FLUSH, AND REFILL COOLING SYSTEM

ENGINE TUNE-UP / ENGINE PARTS

OIL FILTER CARTRIDGE	99600
AIR CLEANER	73912
FUEL FILTER ASSY	98110
ALTERNATOR (DELCO)	50618
ALTERNATOR (GENERAC)	A1354
V-BELT (FOR DELCO ALTERNATOR)	58012
V-BELT (FOR GENERAC ALTERNATOR)	336-96954
PISTON (STD)	203-96954
PISTON RING SET (STD)	206-96954
REAR MAIN OIL SEAL	195-96954
CRANKSHAFT MAIN BEARING (STD)	216-96954
THRUST BEARING (STD)	221-96954
CONNECTING ROD BEARING (STD)	211-96954

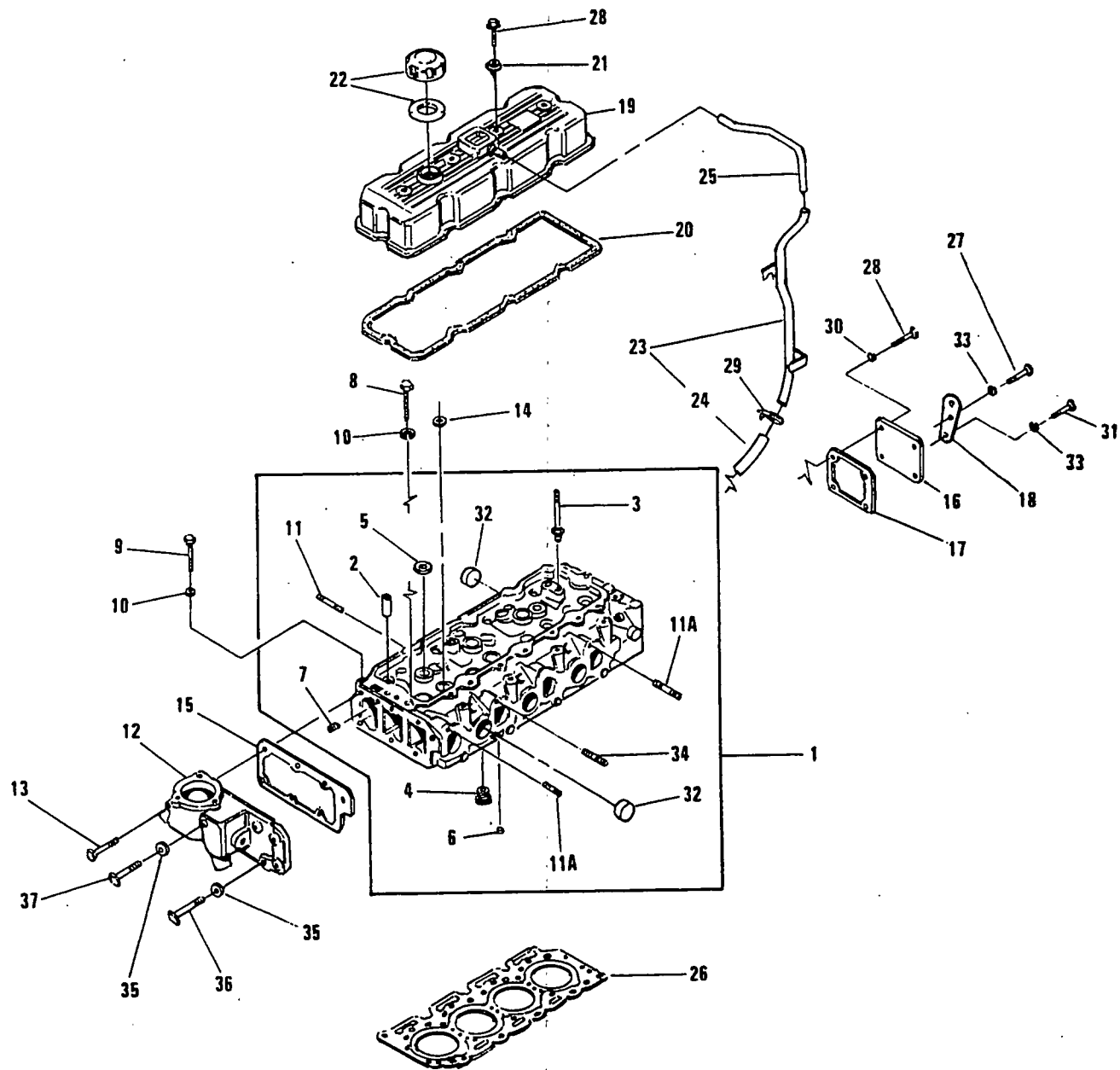
ENGINE GASKETS

GASKET, CYLINDER HEAD COVER	123-96954
GASKET, CYLINDER HEAD	132-96954
GASKET, BLIND COVER (ON REAR OF HEAD)	120-96954
GASKET, OIL PAN	153-96954
GASKET, TIMING CASE TO BLOCK	168-96954
GASKET, TIMING CASE COVER	171-96954
GASKET, INTAKE MANIFOLD	264-96954
GASKET, EXHAUST MANIFOLD	269-96954
GASKET, FUEL INJECTION PUMP	256-96954
GASKET, OIL FILTER SUPPORT	324-96954
GASKET, WATER PUMP	297-96954
GASKET, THERMOSTAT (FOR SQUARE COOLING SENDER SUPPORT)	57750
GASKET, THERMOSTAT (FOR HEXAGONAL COOLING SENDER SUPPORT)	97279
GASKET, THERMOSTAT CASE TO BLOCK	118-96954

TORQUE SPECIFICATIONS

MAIN BEARING CAP BOLTS	80-85 ft-lb
CONNECTING ROD CAP BOLTS	50-54 ft-lb
TIMING GEAR CASE BOLTS	12-17 ft-lb
CAMSHAFT GEAR LOCK BOLT	45-51 ft-lb
CAMSHAFT THRUST PLATE BOLTS	12-17 ft-lb
IDLE GEAR THRUST PLATE NUTS	17-23 ft-lb
INJECTION PUMP DRIVE GEAR LOCK NUT	29-51 ft-lb
OIL PAN BOLTS	5-9 ft-lb
CYLINDER HEAD BOLTS	80-85 ft-lb
WATER PUMP BOLTS	12-17 ft-lb
CYLINDER HEAD BOLTS	80-85 ft-lb
WATER PUMP BOLTS	12-17 ft-lb
INTAKE MANIFOLD NUTS	12-17 ft-lb
FUEL INJECTION NOZZLE	58-72 ft-lb
REAR ENGINE PLATE BOLTS	24-35 ft-lb

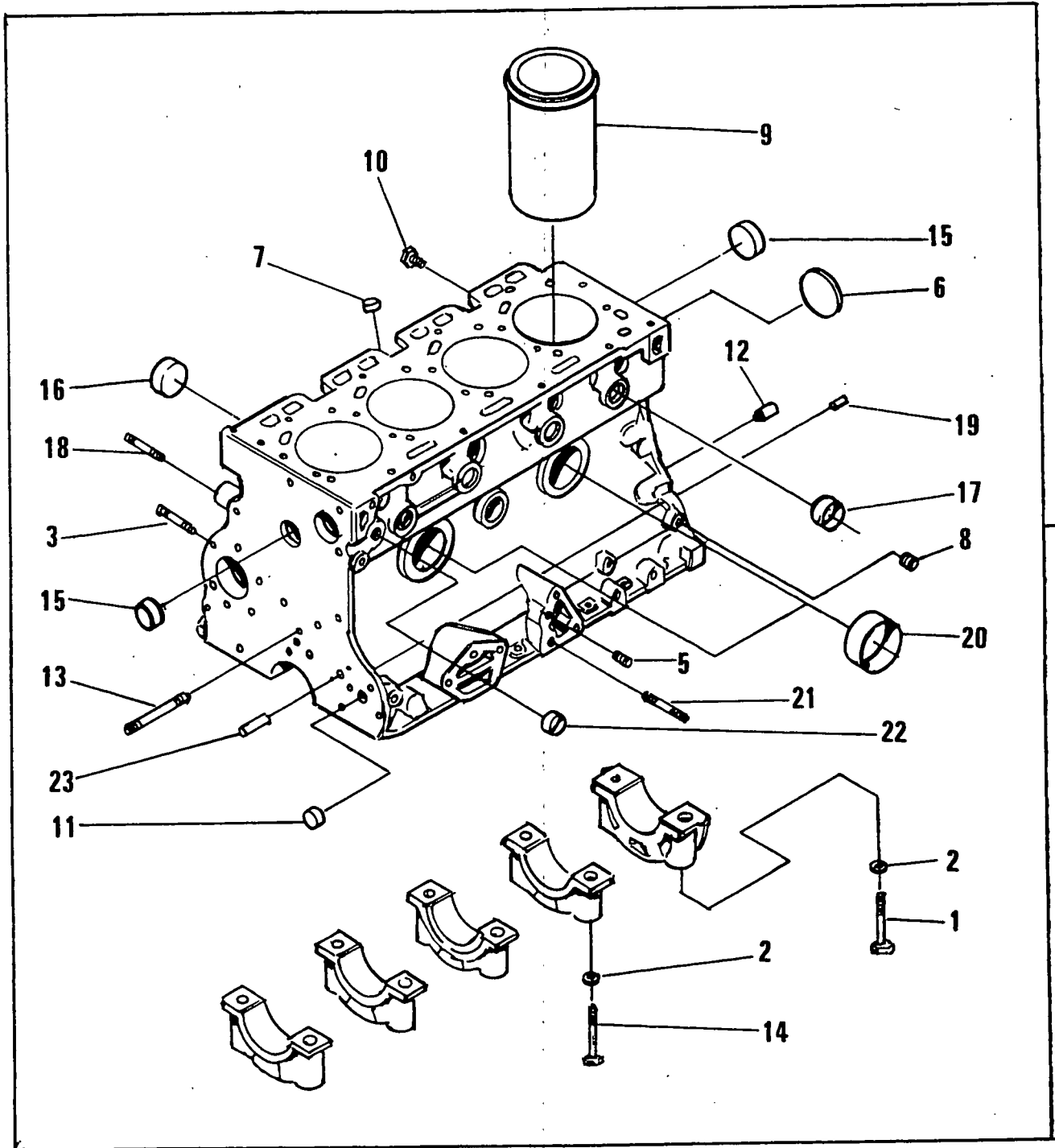
2.4L DIESEL CYLINDER HEAD AND COVER



2.4L DIESEL CYLINDER HEAD AND COVER

ITEM	PART NUMBER	DESCRIPTION	QTY
1	101-96954	HEAD, CYLINDER	1
2	129-57778	PIPE, SEAL	4
3	103-96954	STUD, ROCKER BRACKET	2
4	104-96954	INSERT, COMBUSTION CHAMBER	4
5	105-96954	CAP, SEALING	3
6	128-57778	WASHER, WELCH	4
7	107-96954	PLUG, OIL HOSE	1
8	138-55441	BOLT, CYLINDER HEAD	13
9	109-96954	BOLT, CYLINDER HEAD	7
10	110-96954	WASHER, PLAIN	20
11	111-96954	STUD, EXHAUST MANIFOLD	2
11A	112-96954	STUD, EXHAUST MANIFOLD	8
12	113-96954	CASE, THERMOSTAT	1
13	115-96954	BOLT	1
14	117-96954	SEAL, VALVE	8
15	118-96954	GASKET, THERMOSTAT CASE	1
16	119-96954	COVER, REAR END	1
17	120-96954	GASKET, BLIND COVER	1
18	121-96954	HANGER, ENGINE	2
19	122-96954	COVER, CYLINDER HEAD	1
20	123-96954	GASKET, CYLINDER HEAD COVER	1
21	138-57778	WASHER, SEALING	4
22	126-96954	CAP, OIL FILLER	1
23	127-96954	PIPE, BREATHER	1
24	130-96954	HOSE, BREATHER	1
25	131-96954	HOSE, BREATHER	1
26	132-96954	GASKET, CYLINDER HEAD	1
27	133-96954	BOLT	2
28	346-96954	BOLT	8
29	347-96954	HOSE CLAMP	1
30	348-96954	WASHER	4
31	349-96954	BOLT	1
32	52408	CAP, SEALING	6
33	350-96954	WASHER, SPRING	2
34	351-96954	STUD	6
35	352-96954	WASHER	2
36	353-96954	BOLT	4
37	406-96954	BOLT	1

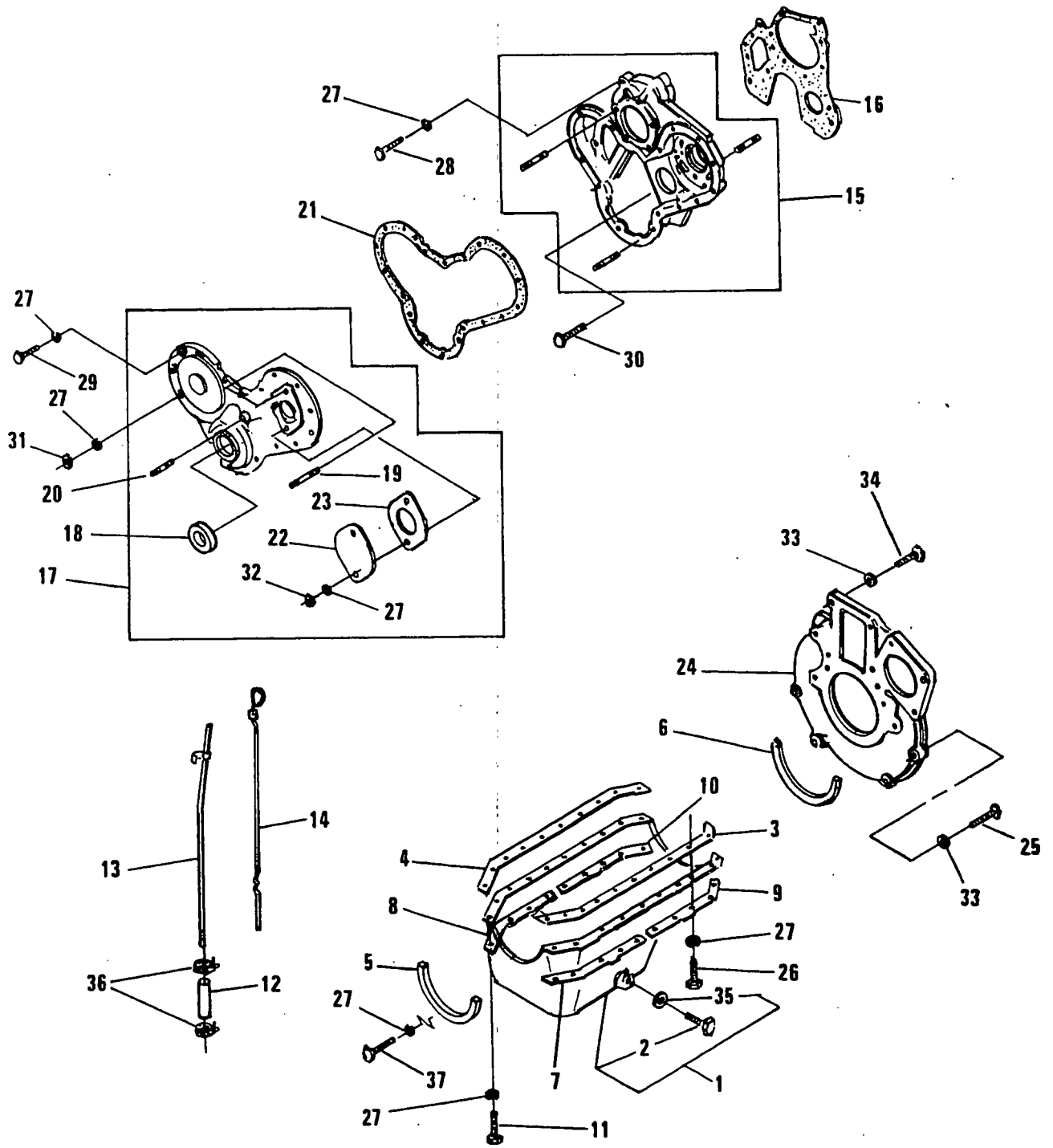
2.4L DIESEL CYLINDER BLOCK



2.4L DIESEL CYLINDER BLOCK

ITEM	PART NUMBER	DESCRIPTION	QTY
1	138-55441	BOLT	2
2	110-96954	WASHER, PLAIN	10
3	137-96954	STUD	3
4	100-96954	BLOCK, CYLINDER	1
5	140-96954	PLUG	1
6	146-57778	PLUG, CAMSHAFT	1
7	142-96954	PLUG, OIL PUMP	1
8	143-96954	PLUG, CYLINDER BLOCK	3
9	144-96954	LINER, CYLINDER	4
10	145-96954	PLUG, WATER DRAIN	1
11	146-96954	PLUG, BLIND	2
12	147-96954	PIN, DOWEL	2
13	148-96954	STUD, IDLE GEAR	4
14	149-96954	BOLT, BEARING CAP	8
15	354-96954	CAP, SEALING	AR
16	52408	CAP, SEALING	AR
17	355-96954	CAP, SEALING	AR
18	356-96954	STUD	AR
19	357-96954	PIN	AR
20	358-96954	CAP, SEALING	AR
21	359-96954	STUD	AR
22	52411	PLUG, BLIND	AR
23	361-96954	PIN	AR

2.4L DIESEL OIL PAN AND ENGINE COVERS



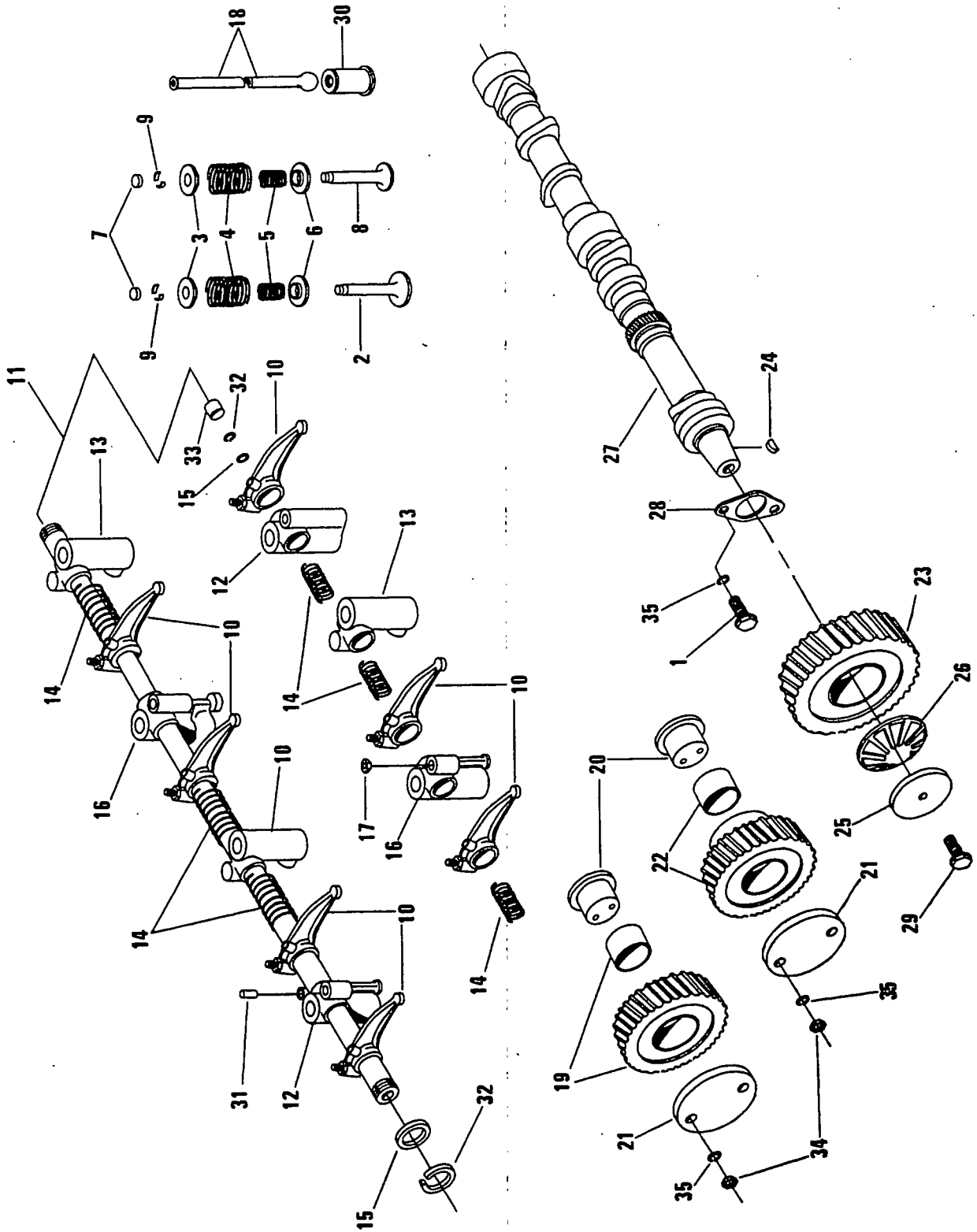
2.4L DIESEL OIL PAN AND ENGINE COVERS

ITEM	PART NUMBER	DESCRIPTION	QTY
1	150-96954	OIL PAN	1
2	152-96954	PLUG	1
3	153-96954	GASKET, OIL PAN (INCLUDES 4, 5, & 6)	1
4		(INCL. IN #3)	
5		(INCL. IN #3)	
6		(INCL. IN #3)	
7	157-96954	STIFFENER (LH), FRONT	1
8	158-96954	STIFFENER (RH), FRONT	1
9	159-96954	STIFFENER (LH), REAR	1
10	160-96954	STIFFENER (RH), REAR	1
11	161-96954	BOLT	3
12	140-67057	HOLDER, OIL GAUGE PIPE	1
13	163-96954	PIPE, OIL GAUGE	1
14	164-96954	GAUGE, OIL LEVEL	1
15	165-96954	CASE ASSY, TIMING GEAR	1
16	168-96954	GASKET, TIMING CASE TO BLOCK	1
17	167-96954	COVER, TIMING CASE	1
18	168-96954	SEAL, OIL	1
19	169-96954	STUD, GEAR COVER	2
20	170-96954	PIN	1
21	171-96954	GASKET, TIMING CASE COVER	1
22	172-96954	COVER, FUEL PUMP	1
23	170-57778	JOINT, GEAR COVER	1
24	173-96954	PLATE, END	1
25	174-96954	BOLT	5
26	226-96954	BOLT	17
27	348-96954	WASHER, SPRING	AR
28	362-96954	BOLT	AR
29	363-96954	BOLT	AR
30	364-96954	BOLT	AR
31	365-96954	NUT	AR
32	366-96954	NUT	AR
33	367-96954	WASHER	AR
34	368-96954	BOLT	AR
35	151-67057	PACKING	AR
36	347-96954	HOSE CLAMP	2
37	371-96954	BOLT	AR

2.4L DIESEL CRANKSHAFT AND PISTONS

ITEM	PART NUMBER	DESCRIPTION	QTY
1	179-96954	ROD, CONNECTING	4
2	180-96954	BOLT, CONN ROD	8
3	193-67057	NUT, CONN ROD	8
4	182-96954	CRANKSHAFT	1
5	183-96954	CAP, OIL SEAL	1
6	185-96954	GEAR, CRANKSHAFT	1
7	186-96954	GASKET, OIL SEAL CAP	1
8	188-96954	SPRING, FRICTION GEAR	1
9	190-96954	GEAR, FRICTION	1
10	182-57778	DEFLECTOR, OIL	1
11	192-96954	KEY, CRANK GEAR	1
12	193-96954	BOLT, CRANKSHAFT	1
13	194-96954	WASHER	1
14	195-96954	OIL SEAL	1
15	199-96954	PULLEY, CRANKSHAFT	1
16	97369	FLYWHEEL	1
17	201-96954	BOLT, LOCK	6
18	206-55441	WASHER, FLYWHEEL	1
19	203-96954	PISTON SET (STD)	4
	204-96954	PISTON SET (0.50 O.S.)	AR
	205-96954	PISTON SET (1.00 O.S.)	AR
20	206-96954	RING SET, PISTON (STD)	1
	207-96954	RING SET, PISTON (0.50 O.S.)	AR
	208-96954	RING SET, PISTON (0.50 O.S.)	AR
	209-96954	RING SET, PISTON (0.75 O.S.)	AR
	210-96954	RING SET, PISTON (1.00 O.S.)	AR
21	211-96954	CONN. ROD BEARING (STD)	1
	212-96954	CONN. ROD BEARING (0.25 U.S.)	AR
	213-96954	CONN. ROD BEARING (0.50 U.S.)	AR
	214-96954	CONN. ROD BEARING (0.75 U.S.)	AR
	215-96954	CONN. ROD BEARING (1.00 U.S.)	AR
22	216-96954	MAIN BEARING SET (STD)	1
	217-96954	MAIN BEARING SET (0.25 U.S.)	AR
	218-96954	MAIN BEARING SET (0.50 U.S.)	AR
	219-96954	MAIN BEARING SET (0.75 U.S.)	AR
	220-96954	MAIN BEARING SET (1.00 U.S.)	AR
23	221-96954	THRUST BEARING SET (STD)	1
	222-96954	THRUST BEARING SET (0.25 U.S.)	AR
	223-96954	THRUST BEARING SET (0.50 U.S.)	AR
	224-96954	THRUST BEARING SET (0.75 U.S.)	AR
	225-96954	THRUST BEARING SET (1.00 U.S.)	AR
24	362-96954	BOLT	AR
25	348-96954	WASHER, SPRING	AR

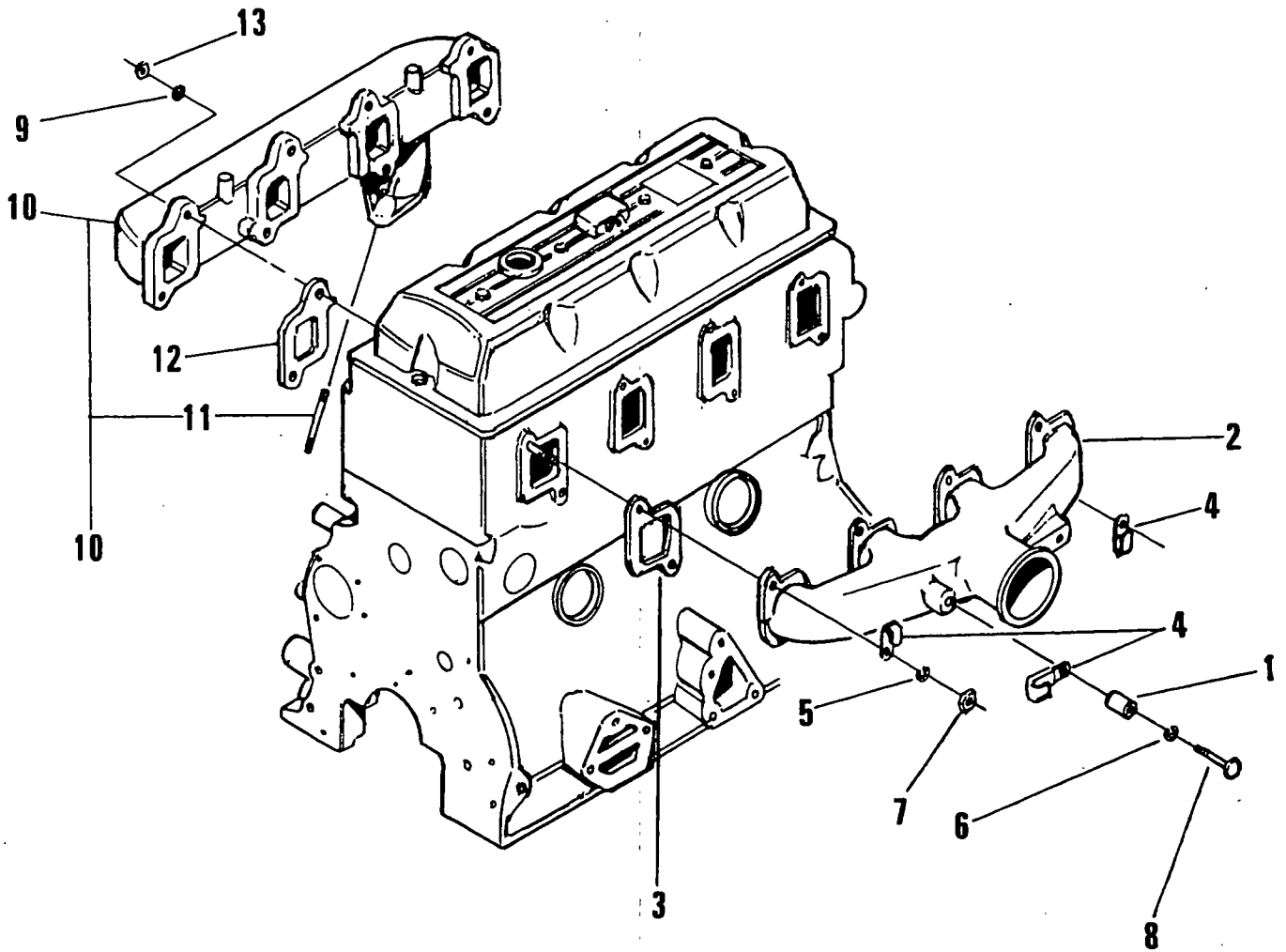
2.4L DIESEL VALVE TRAIN



2.4L DIESEL VALVE TRAIN

ITEM	PART NUMBER	DESCRIPTION	QTY
1	226-96954	BOLT	2
2	228-96954	VALVE, INTAKE	4
3	230-96954	CAP, VALVE SPRING	8
4	224-55441	VALVE SPRING, OUTER	8
5	205-57778	VALVE SPRING, INNER	8
6	233-96954	SEAT, VALVE SPRING, LOWER	8
7	235-96954	CAP, VALVE	8
8	237-96954	VALVE, EXHAUST	4
9	240-96954	COTTER, VALVE	16
10	241-96954	ARM, ROCKER	8
11	242-96954	SHAFT, ROCKER	1
12	243-96954	BRACKET, ROCKER	2
13	244-96954	BRACKET, ROCKER	3
14	214-57778	SPRING, ROCKER	6
15	215-57778	WASHER, WAVE	2
16	247-96954	BRACKET, ROCKER	2
17	248-96954	NUT	2
18	242-55441	ROD, PUSH	8
19	250-96954	GEAR (RH), IDLE	1
20	251-96954	SPINDLE, IDLE GEAR	2
21	225-57778	PLATE, THRUST	2
22	253-96954	GEAR (LH), IDLE	1
23	254-96954	GEAR, CAMSHAFT	1
24	229-57778	KEY, CAMSHAFT GEAR	1
25	256-96954	WASHER, PLAIN	1
26	257-96954	GEAR, FRICTION	1
27	258-96954	CAMSHAFT	1
28	259-96954	PLATE, THRUST	1
29	260-96954	BOLT	1
30	261-96954	TAPPET	8
31	372-96954	PIN, TAPER	1
32	373-96954	RETAINING RING	2
33	374-96954	CAP, SEALING	1
34	365-96954	NUT	2
35	348-96954	WASHER, SPRING	3

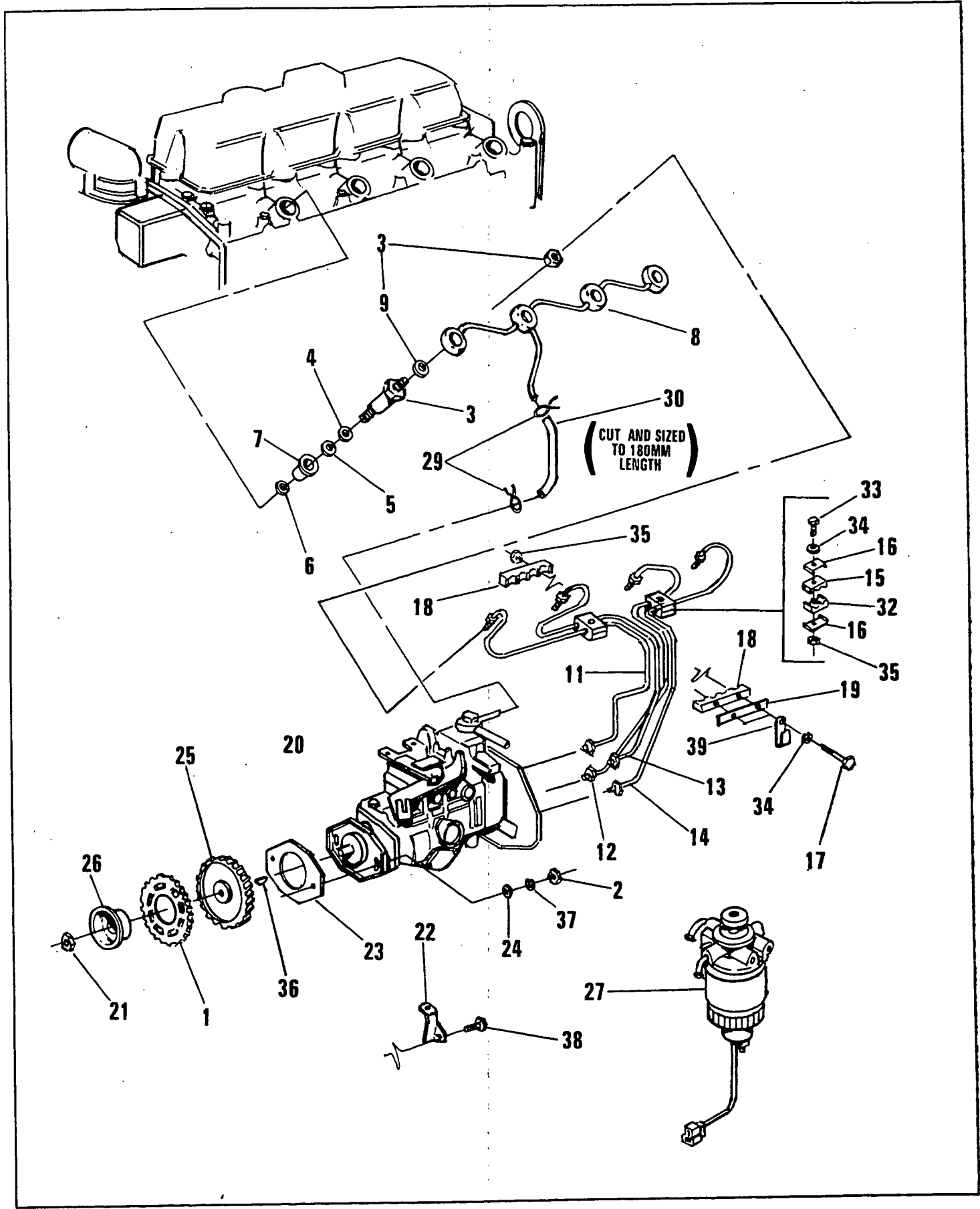
2.4L DIESEL MANIFOLDS



2.4L DIESEL MANIFOLDS

ITEM	PART NUMBER	DESCRIPTION	QTY
1	262-96954	SPACER	1
2	263-96954	MANIFOLD, INTAKE	1
3	264-96954	GASKET, INTAKE MANIFOLD	4
4	375-96954	CLIP	4
5	348-96954	WASHER, SPRING	8
6	376-96954	WASHER, SPRING	6
7	365-96954	NUT	8
8	377-96954	BOLT	1
9	265-96954	WASHER, PLAIN	8
10	267-96954	MANIFOLD, EXHAUST	1
11	268-96954	STUD, EXHAUST PIPE	2
12	269-96954	GASKET, EXHAUST MANIFOLD	4
13	270-96954	NUT	8

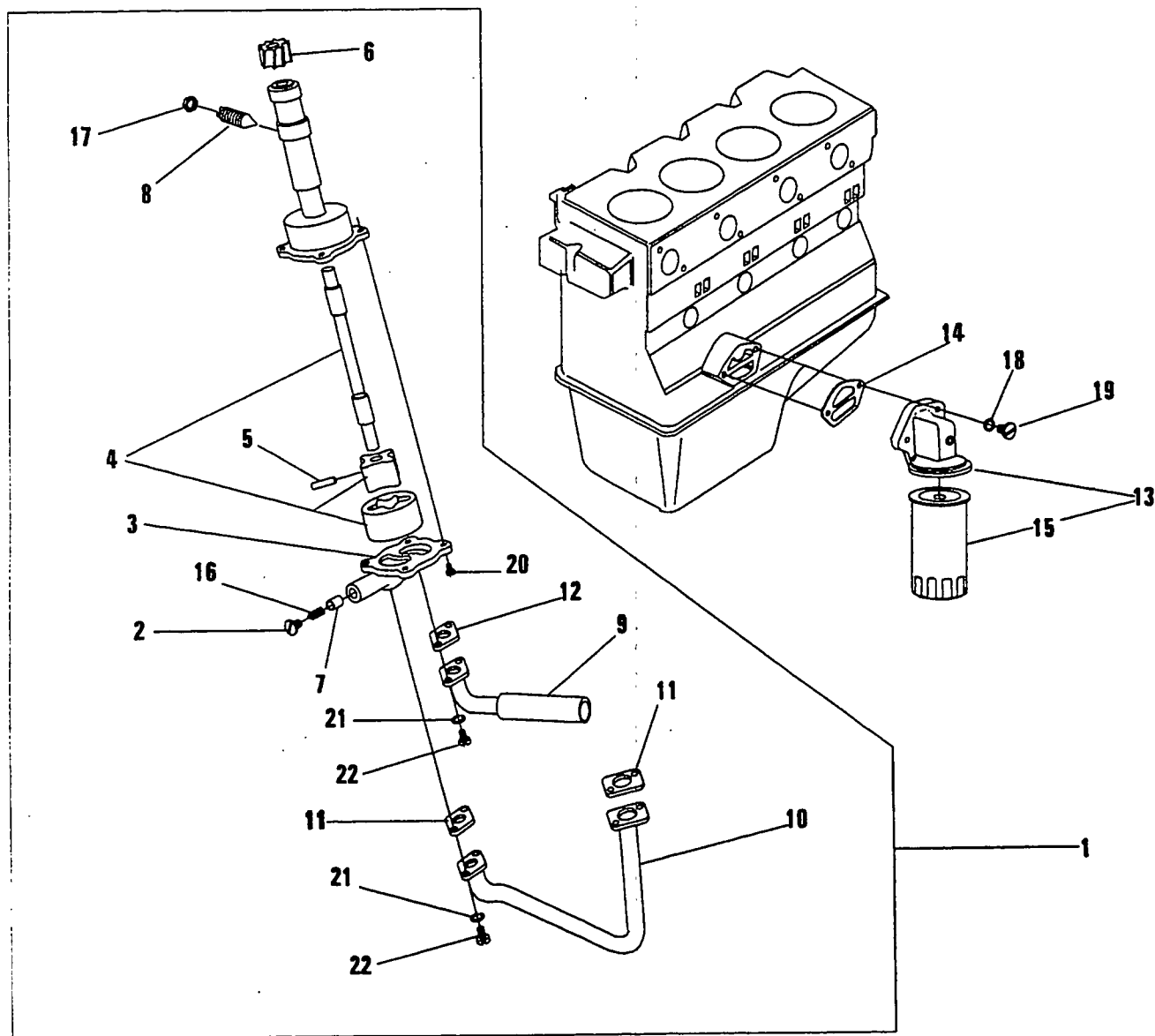
2.4L DIESEL FUEL SYSTEM



2.4L DIESEL FUEL SYSTEM

ITEM	PART NUMBER	DESCRIPTION	QTY
1	271-96954	GEAR, FRICTION	1
2	272-96954	NUT	2
3	273-96954	HOLDER, NOZZLE	4
	274-96954	HOLDER, NOZZLE	4
4	251-67057	WASHER, NOZZLE	4
5	269-55441	GASKET	4
6	270-55441	GASKET	4
7	278-96954	HEAT SHIELD, NOZZLE	4
8	279-96954	PIPE, LEAK	1
9	254-67057	GASKET	4
11	282-96954	PIPE, FUEL #1	1
12	283-96954	PIPE, FUEL #2	1
13	284-96954	PIPE, FUEL #3	1
14	285-96954	PIPE, FUEL #4	1
15	287-96954	CLIP, INJECTION PIPE	2
16	252-57778	CHANNEL, PIPE CLIP	4
17	290-96954	BOLT	4
18	292-96954	CLIP, INJECTION PIPE	2
19	293-96954	CHANNEL, PIPE CLIP	1
20	294-96954	PUMP, FUEL INJECTION	1
21	254-57778	NUT	1
22	298-96954	STAY, INJECTION PUMP	1
23	256-57778	GASKET, FUEL INJECTION PUMP	1
24	300-96954	WASHER, PLAIN	2
25	301-96954	GEAR, FUEL INJECTION PUMP	1
26	302-96954	WASHER, PLAIN	1
27	98110	FILTER, FUEL	1
29	263-57778	CLIP	2
30	308-96954	HOSE	2
32	310-96954	CLIP, INJECTION PIPE	2
33	260-67057	BOLT	2
34	379-96954	WASHER	3
35	380-96954	NUT	3
36	381-96954	KEY, WOODRUFF	1
37	348-96954	WASHER, SPRING	2
38	382-96954	BOLT	1
39	383-96954	CLIP	1

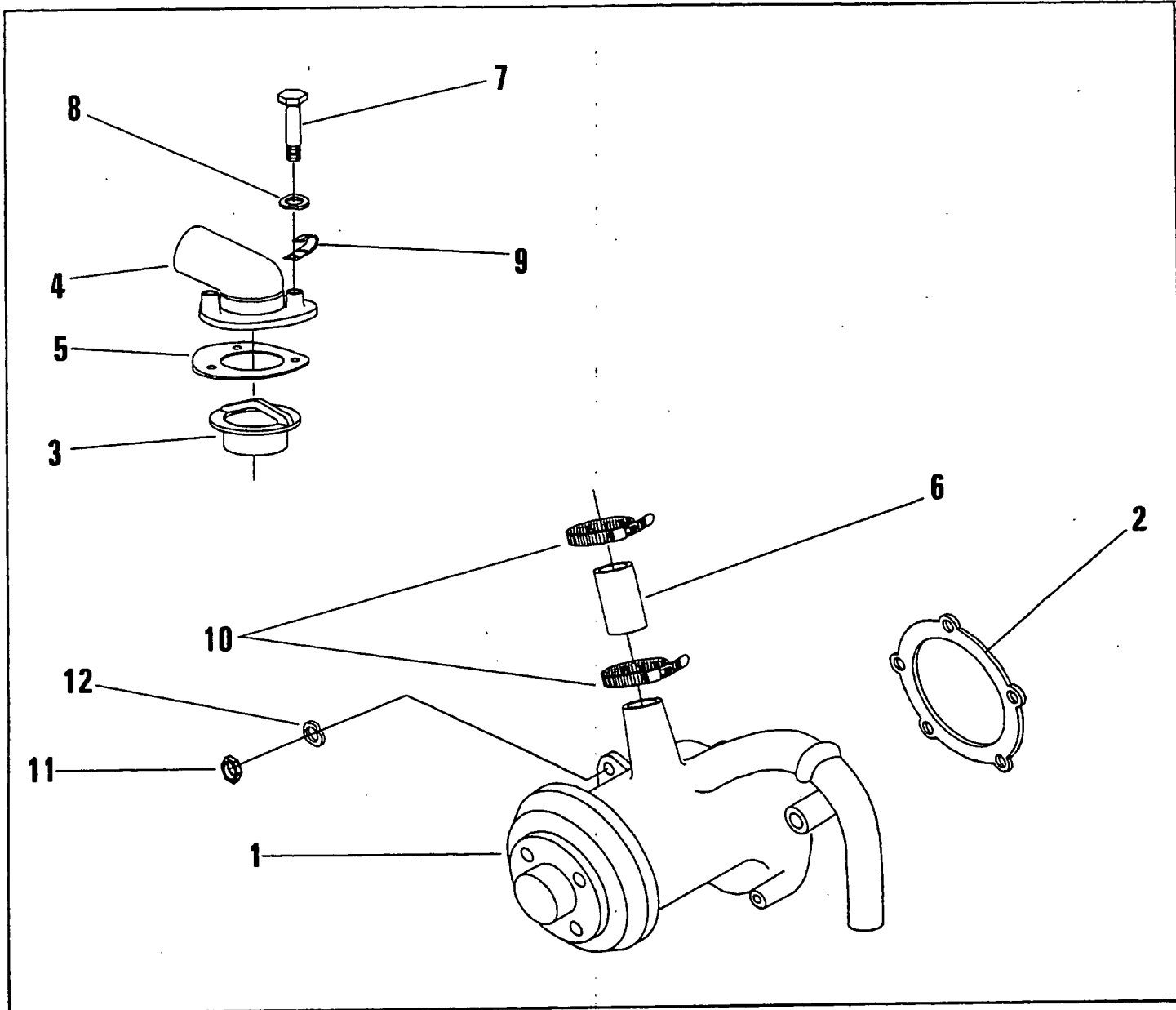
2.4L DIESEL OIL PUMP AND FILTER



2.4L DIESEL OIL PUMP AND FILTER

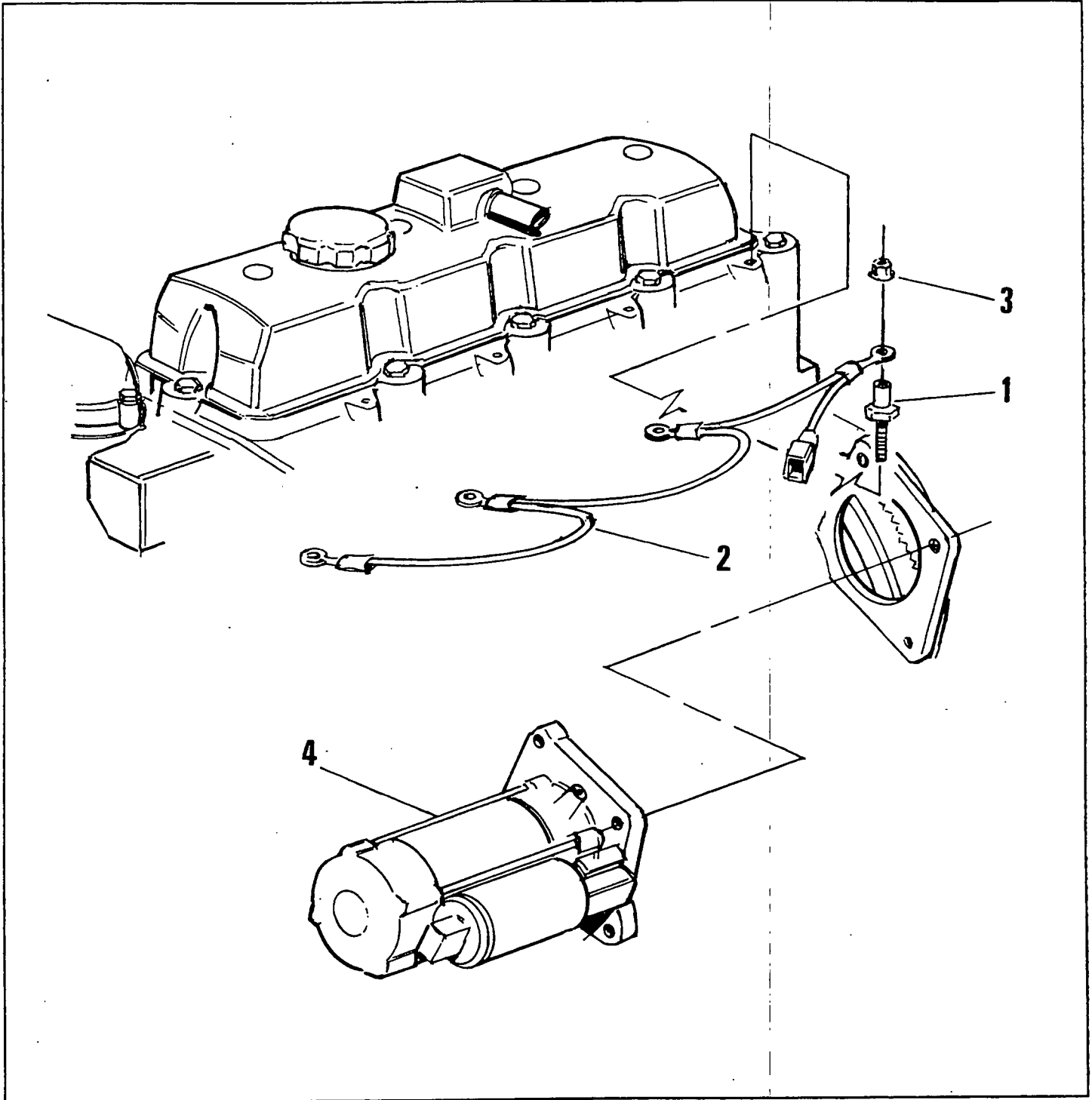
ITEM	PART NUMBER	DESCRIPTION	QTY
1	312-96954	PUMP, OIL	1
2	313-96954	PLUG, SPRING	1
3	314-96954	COVER, OIL PUMP	1
4	315-96954	SHAFT, OIL PUMP	1
5	316-96954	PIN, DOWEL	1
6	317-96954	GEAR, DRIVE	1
7	318-96954	PLUNGER	1
8	319-96954	SCREW SET	1
9	320-96954	STRAINER, OIL	1
10	321-96954	PIPE, OIL	1
11	443-57778	GASKET, OIL PIPE	2
12	323-96954	GASKET, OIL STRAINER	1
13	324-96954	OIL FILTER ASSY	1
14	324-55441	GASKET, OIL FILTER SUPPORT	1
15	99600	CARTRIDGE, OIL FILTER	1
16	312-55441	SPRING, PRESSURE	1
17	387-96954	NUT	1
18	388-96954	WASHER, SPRING	2
19	389-96954	BOLT	2
20	390-96954	BOLT	4
21	391-96954	WASHER, SPRING	4
22	392-96954	BOLT	4

2.4L DIESEL WATER PUMP



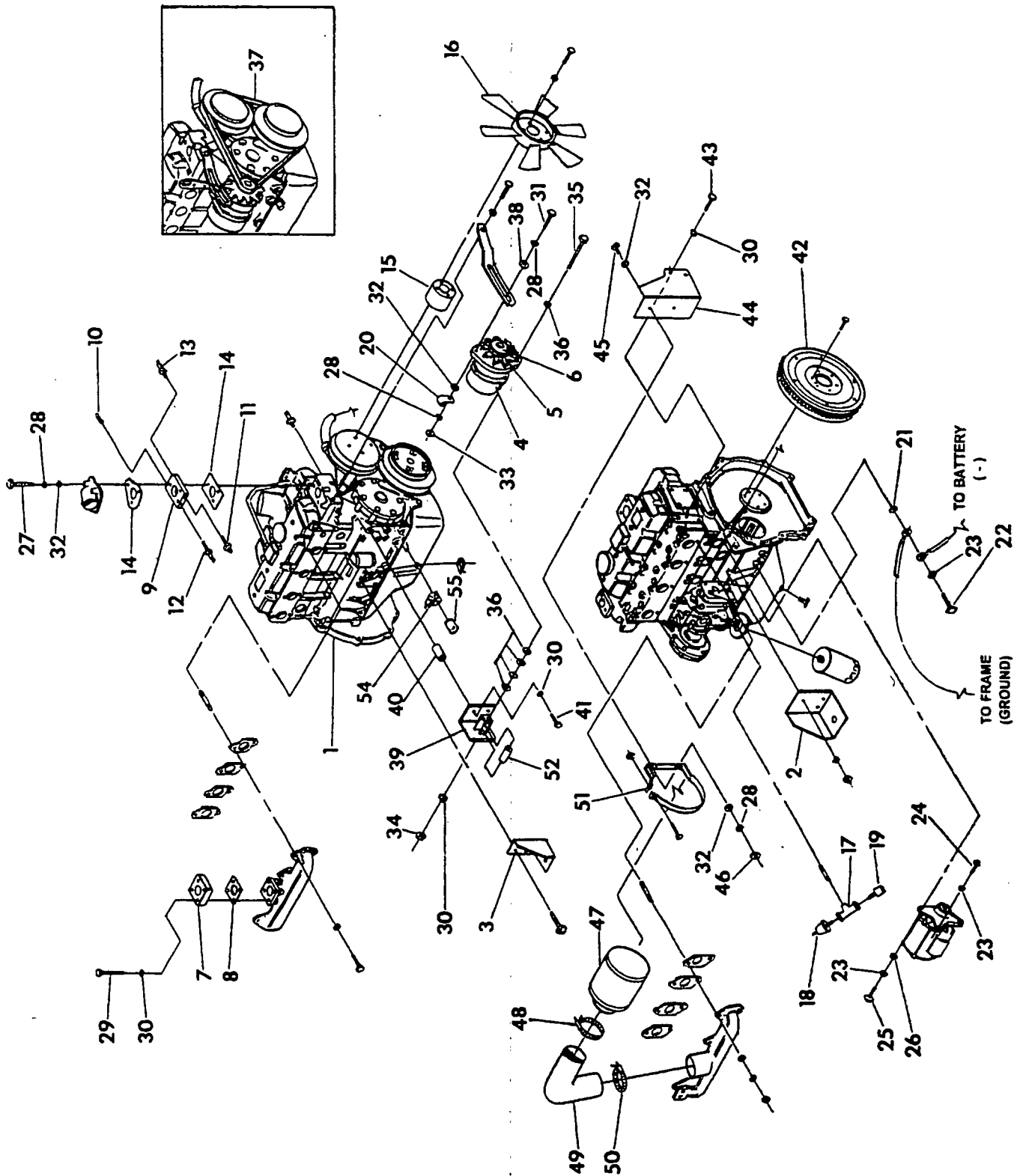
ITEM	PART NUMBER	DESCRIPTION	QTY
1	332-96954	PUMP, WATER	1
2	297-55441	GASKET, WATER PUMP	1
3	342-96954	THERMOSTAT	1
4	476-57778	COVER, THERMOSTAT CASE	1
5	57750	GASKET, THERM. CASE COVER	1
6	307-55441	HOSE, BYPASS	1
7	57755	BOLT	3
8	22129	WASHER, SPRING	8
9	375-96954	CLIP	1
10	397-96954	HOSE CLAMP	2
11	365-96954	NUT	5
12	348-96954	WASHER, SPRING	AR

2.4L DIESEL STARTER / GLOW PLUGS



ITEM	PART NUMBER	DESCRIPTION	QTY
1	339-96954	GLOW PLUG	4
2	340-96954	CORD, GLOW PLUG	1
3	341-96954	NUT, FLANGE- GLOW PLUG	4
4	344-96954	CLIP	1
5	345-96954	STARTER	1
6	SEE PAGE 22 FOR STARTER MOUNTING HARDWARE		

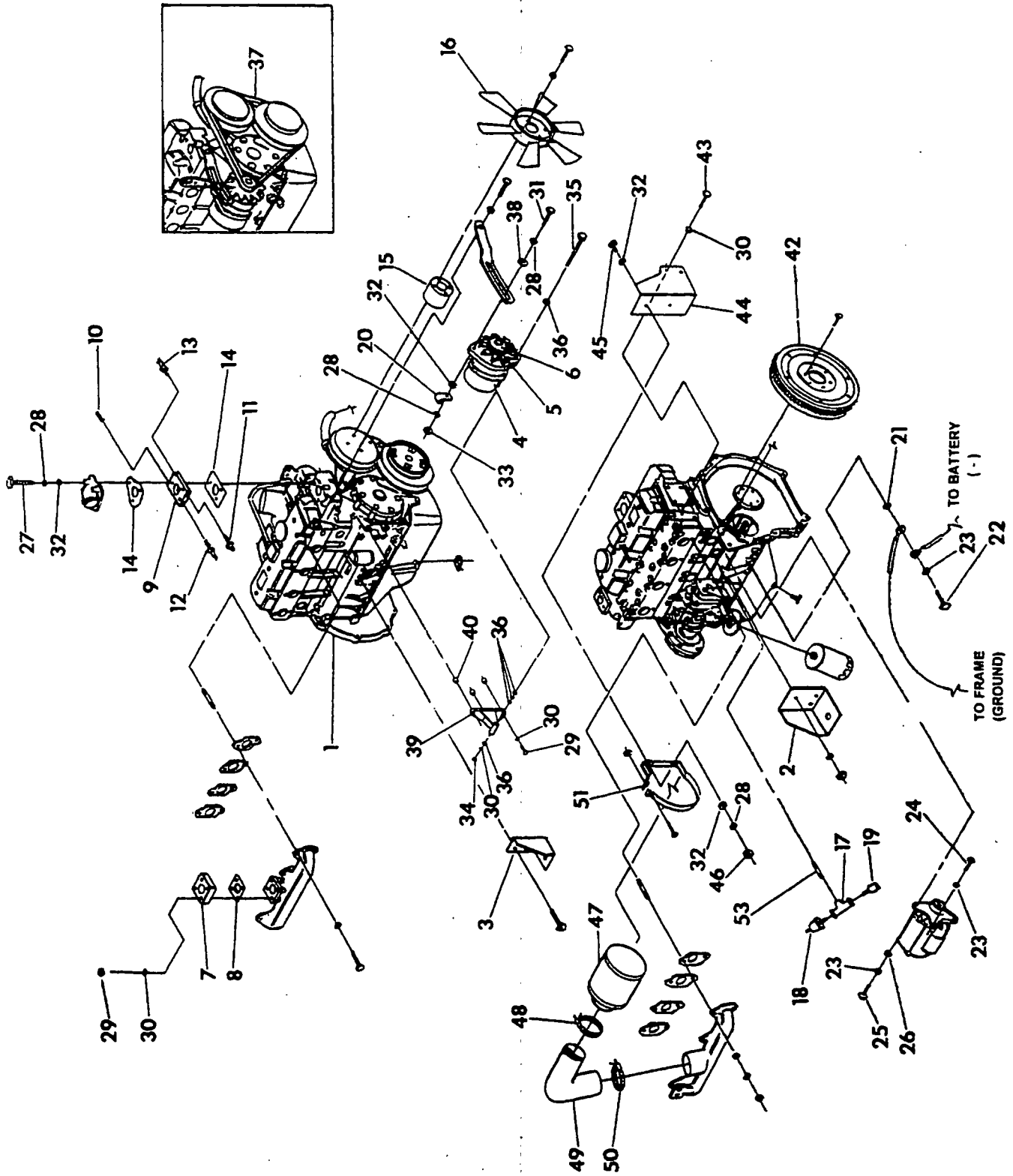
2.4L DIESEL ENGINE FINISH PARTS (VERSION 1 WITH DELCO ALTERNATOR)



**2.4L DIESEL ENGINE FINISH PARTS
(VERSION 1 WITH DELCO ALTERNATOR)**

ITEM	PART NUMBER	DESCRIPTION	QTY
1	96954	ENGINE, 2.4L DIESEL	1
2	97253	MOUNT, ENGINE LH	1
3	97254	MOUNT, ENGINE RH	1
4	50618	ALTERNATOR, DC (DELCO-REMY)	1
5	50619	FAN, DC ALTERNATOR	1
6	57771	PULLEY, DC ALTERNATOR	1
7	97921	ADAPTER, EXHAUST MANIFOLD	1
8	97256	GASKET, EXHAUST MANIFOLD	1
9	97259	SUPPORT, COOLING SENDER (SQUARE SHAPED)	1
10	31919	PIPE PLUG, 3/8 SOCKET	1
11	53667	SENDER, WATER TEMPERATURE	1
12	35606	SWITCH, WATER TEMPERATURE	1
13	57522	SWITCH, WATER LEVEL	1
14	57750	GASKET, THERMOSTAT	2
15	97262	SPACER, COOLING FAN	1
16	97379	FAN	1
17	97315	TEE PIPE, 1/8 NPT BRASS	1
18	53666	SENDER, OIL PRESSURE	1
19	60108	SWITCH, OIL PRESSURE	1
20	55934D	CLAMP, HOSE	1
21	70022	SHAKEPROOF LOCKWASHER	1
22	97958	HEX HEAD CAP SCREW	1
23	51769	LOCKWASHER, M12	4
24	97959	HEX HEAD CAP SCREW	1
25	98780	HEX HEAD CAP SCREW	2
26	49808	FLAT WASHER, M12	2
27	57755	HEX HEAD CAP SCREW	3
28	22129	LOCKWASHER	7
29	22470	HEX NUT	4
30	22237	LOCKWASHER	11
31	39287	HEX HEAD CAP SCREW	1
32	22145	FLAT WASHER	9
33	45771	HEX NUT	1
34	22241	HEX NUT	2
35	97969	HEX HEAD CAP SCREW	1
36	22131	FLAT WASHER	5
37	58012	V-BELT	1
38	50190	FLAT WASHER	1
39	97759	BRACKET, DC ALTERNATOR	1
40	22500	SPACER	3
41	22469	HEX HEAD CAP SCREW	3
42	97369	FLYWHEEL	1
43	98781	HEX HEAD CAP SCREW	2
44	97264	BRACKET, AIR CLEANER	1
45	22142	HEX HEAD CAP SCREW	2
46	22259	HEX NUT	2
47	73912	AIR CLEANER	1
48	42561	HOSE CLAMP	1
49	97799	HOSE, INTAKE MANIFOLD	1
50	39294	HOSE CLAMP	1
51	62781	MOUNTING BAND, AIR CLEANER	1
52	99253	SPACER	1
53	35483	NIPPLE	1

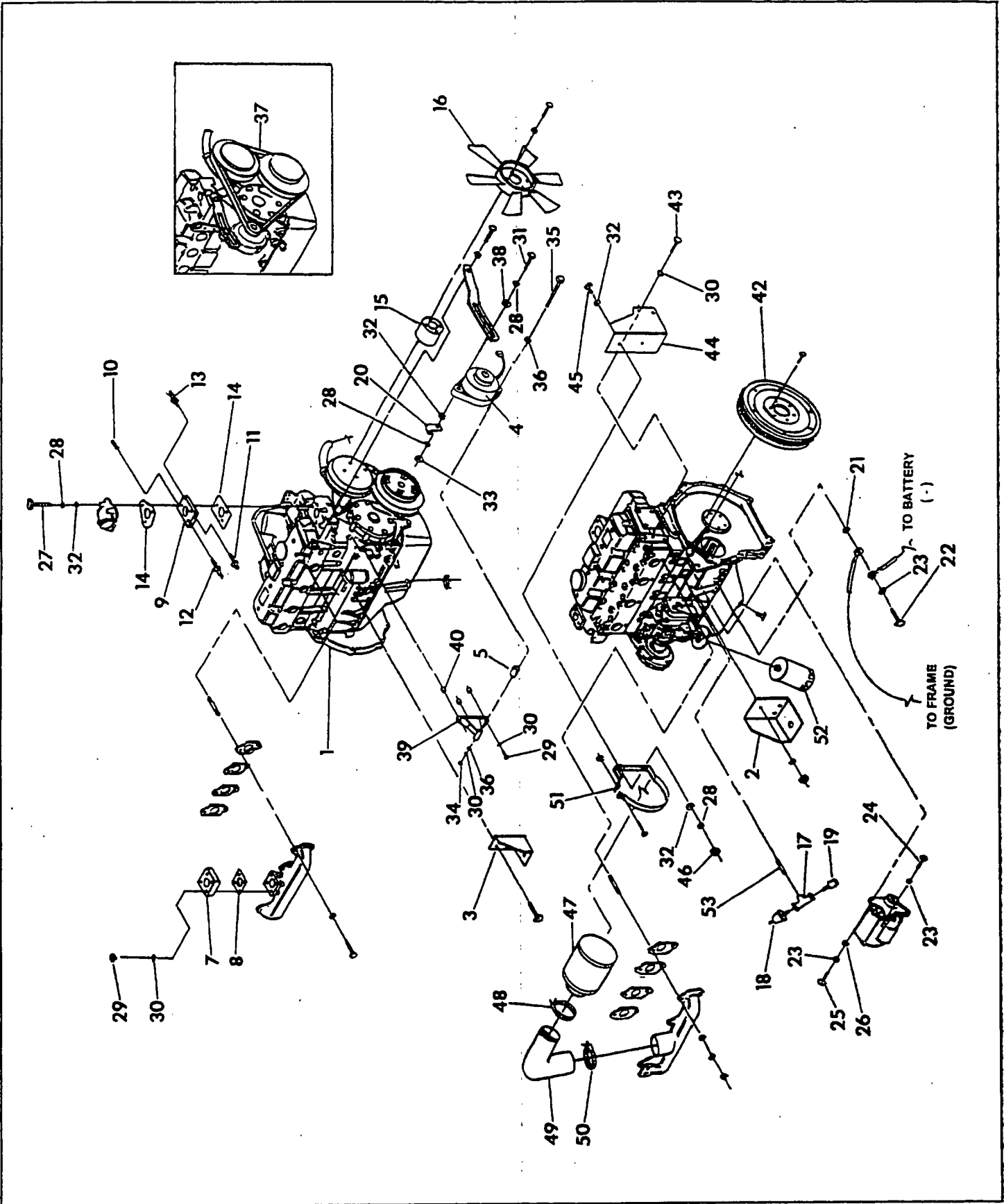
2.4L DIESEL ENGINE FINISH PARTS (VERSION 2 WITH DELCO ALTERNATOR)



2.4L DIESEL ENGINE FINISH PARTS (VERSION 2 WITH DELCO ALTERNATOR)

ITEM	PART NUMBER	DESCRIPTION	QTY
1	96954	ENGINE, 2.4L DIESEL	1
2	97253	MOUNT, ENGINE LH	1
3	97254	MOUNT, ENGINE RH	1
4	50618	ALTERNATOR, DC (DELCO-REMY)	1
5	50619	FAN, DC ALTERNATOR	1
6	57771	PULLEY, DC ALTERNATOR	1
7	97921	ADAPTER, EXHAUST MANIFOLD	1
8	97256	GASKET, EXHAUST MANIFOLD	1
9	20856	SUPPORT, COOLING SENDER (HEXAGONAL SHAPED)	1
10	31919	PIPE PLUG, 3/8 SOCKET	1
11	53667	SENDER, WATER TEMPERATURE	1
12	35606	SWITCH, WATER TEMPERATURE	1
13	57522	SWITCH, WATER LEVEL	1
14	97279	GASKET, THERMOSTAT (FOR HEXAGONAL COOLING SENDER SUPPORT)	2
15	97262	SPACER, COOLING FAN	1
16	97379	FAN	1
17	97315	TEE PIPE, 1/8 NPT BRASS	1
18	53666	SENDER, OIL PRESSURE	1
19	60108	SWITCH, OIL PRESSURE	1
20	55934D	CLAMP, HOSE	1
21	70022	SHAKEPROOF LOCKWASHER	1
22	97958	HEX HEAD CAP SCREW	1
23	51769	LOCKWASHER, M12	4
24	97959	HEX HEAD CAP SCREW	1
25	98780	HEX HEAD CAP SCREW	2
26	49808	FLAT WASHER, M12	2
27	57755	HEX HEAD CAP SCREW	3
28	22129	LOCKWASHER	7
29	22470	HEX NUT	4
30	22237	LOCKWASHER	11
31	39287	HEX HEAD CAP SCREW	1
32	22145	FLAT WASHER	9
33	45771	HEX NUT	1
34	22241	HEX NUT	2
35	30210	HEX HEAD CAP SCREW 3/8-16 X 5"	1
36	22131	FLAT WASHER	5
37	58012	V-BELT (FOR DELCO ALTERNATOR)	1
38	50190	FLAT WASHER	1
39	55517	BRACKET, DC ALTERNATOR	1
40	32421	SPACER	3
42	97369	FLYWHEEL	1
43	98781	HEX HEAD CAP SCREW	2
44	97264	BRACKET, AIR CLEANER	1
45	22142	HEX HEAD CAP SCREW	2
46	22259	HEX NUT	2
47	73912	AIR CLEANER	1
48	42561	HOSE CLAMP	1
49	97799	HOSE, INTAKE MANIFOLD	1
50	39294	HOSE CLAMP	1
51	62781	MOUNTING BAND, AIR CLEANER	1
52	99600	FILTER, OIL	1
53	35483	NIPPLE	1

**2.4L DIESEL ENGINE FINISH PARTS
(VERSION 3 WITH GENERAC ALTERNATOR)**



**2.4L DIESEL ENGINE FINISH PARTS
(VERSION 3 WITH GENERAC ALTERNATOR)**

ITEM	PART NUMBER	DESCRIPTION	QTY
1	96954	ENGINE, 2.4L DIESEL	1
2	97253	MOUNT, ENGINE LH	1
3	97254	MOUNT, ENGINE RH	1
4	A1354	ALTERNATOR, DC (GENERAC)	1
5	33437	SPACER	1
7	97921	ADAPTER, EXHAUST MANIFOLD	1
8	97256	GASKET, EXHAUST MANIFOLD	1
9	20856	SUPPORT, COOLING SENDER (HEXAGONAL SHAPED)	1
10	31919	PIPE PLUG, 3/8 SOCKET	1
11	53667	SENDER, WATER TEMPERATURE	1
12	35606	SWITCH, WATER TEMPERATURE	1
13	57522	SWITCH, WATER LEVEL	1
14	97279	GASKET, THERMOSTAT (FOR HEXAGONAL COOLING SENDER SUPPORT)	2
15	97262	SPACER, COOLING FAN	1
16	97379	FAN	1
17	97315	TEE PIPE, 1/8 NPT BRASS	1
18	53666	SENDER, OIL PRESSURE	1
19	60108	SWITCH, OIL PRESSURE	1
20	55934D	CLAMP, HOSE	1
21	70022	SHAKEPROOF LOCKWASHER	1
22	97958	HEX HEAD CAP SCREW	1
23	51769	LOCKWASHER, M12	4
24	97959	HEX HEAD CAP SCREW	1
25	98780	HEX HEAD CAP SCREW	2
26	49808	FLAT WASHER, M12	2
27	57755	HEX HEAD CAP SCREW	3
28	22129	LOCKWASHER	7
29	22470	HEX NUT	4
30	22237	LOCKWASHER	11
31	57644	HEX HEAD CAP SCREW	1
32	22145	FLAT WASHER	9
33	45771	HEX NUT	1
34	45772	HEX NUT	2
35	30210	HEX HEAD CAP SCREW 3/8-16 X 5"	1
36	22131	FLAT WASHER	5
37	336-96954	V-BELT, GENERAC ALTERNATOR	1
38	50190	FLAT WASHER	1
39	55517	BRACKET, DC ALTERNATOR	1
40	32421	SPACER	3
42	97369	FLYWHEEL	1
43	98781	HEX HEAD CAP SCREW	2
44	97264	BRACKET, AIR CLEANER	1
45	22142	HEX HEAD CAP SCREW	2
46	22259	HEX NUT	2
47	73912	AIR CLEANER	1
48	42561	HOSE CLAMP	1
49	97799	HOSE, INTAKE MANIFOLD	1
50	39294	HOSE CLAMP	1
51	62781	MOUNTING BAND, AIR CLEANER	1
52	99600	FILTER, OIL	1
53	35483	NIPPLE	1



CONTACT THE **CERTIFIED CENTRAL** DEALER NEAREST YOU

FOR FAST, FRIENDLY, CONVENIENT

"ONE STOP SERVICE"

A/C Energy
(IL, WI, N.W. corner of IN counties of Lake, Porter, La Porte, & St. Joseph)
3129 Louis Sherman Drive
Steger, IL 60475
Parts: (800) 800-0822
Phone: (708) 758-2007
Fax: (708) 758-2031

Certified Electrical Distributors
(NC, SC, GA, TN)
7715 Park Place Road
York, SC 29745
Parts: (800) 843-9103
Phone: (803) 684-0085
Fax: (803) 684-1228

Clifford Power Systems
(KS OK, AR, MO, TX North of I-20)
9310 East 46th Street North
Tulsa, OK 74117
Parts: (800) 324-0066
Phone: (918) 836-0066
Fax: (918) 836-0094

EGN Distributing
(AL, FL Panhandle)
2805 6th Avenue South
Birmingham, AL 35233
Parts: (800) 824-0139
Phone: (205) 581-1335
Fax: (205) 581-1337

Energy Systems, INC
(CA, NV, UT)
2619 Lycoming Street
Stockton, CA 95206
Parts: (800) 845-8519
Phone: (209) 983-6900
Fax: (209) 983-8919

Hunter & Lomison
(PA, NY West of I-81)
1956 West Fourth Street
Williamsport, PA 17701
Parts: (800) 922-9540
Phone: (717) 326-1764
Fax: (717) 326-5042

Huntington Power
(ME, VT, NH, Eastern NY, MA, CT, RI, NJ)
8 Algonkin Road
Shelton, CT 06477
Parts: (800) 473-1408
Phone: (203) 929-3203
Fax: (800) 929-0713

Indiana Power & Service
(KY, OH, IN except counties of Lake, Porter, LaPorte, & St. Joseph)
1415 Country Club Road
Indianapolis, IN 46234
Parts: (800) 229-1672
Phone: (317) 271-1672
Fax: (317) 271-1673

Kelly Generator
(VA, WV, MD, DE)
8421-A Westphalia Road
Upper Marlboro, MD 20772
Parts: (800) 677-3815
Phone: (301) 420-3983
Fax: (301) 736-6582

Marr Brothers
(NM, LA, TX South of I-20)
423 East Jefferson
Dallas, TX 75209
Parts: (800) 627-7276
Phone: (214) 948-7387
Fax: (800) 967-1259

Nickel Equipment
(MI, UP)
1006 South Division Avenue
Grand Rapids, MI 49507
Parts: (800) 638-2440
Phone: (616) 241-2448
Fax: (616) 241-4095

Omni Energy
(MN, IA, ND, SD, NE)
7000 Oxford Street
St. Louis Park, MN 55426
Parts: (888) 922-9511
Phone: (612) 922-9511
Fax: (612) 922-9545

R.B. Grove
(FL, except Panhandle)
261 SW 6th Street
Miami, FL 33130
Phone: (305) 854-5420
Fax: (305) 854-0532

Reliable Power Company
(OR, WA, AK)
7911 NE 33rd Drive Suite 360
Portland, OR 97211
Parts: (800)
Phone: (503) 282-2250
Fax: (503) 282-2229

Rocky Mountain Power Generation
(CO)
6301 North Broadway
Denver, CO 80216
Parts: (800) 822-4332
Phone: (303) 428-3611
Fax: (303) 428-6785

Southwest Products Corp.
(AZ)
5143 West Roosevelt
Phoenix, AZ 85043
Parts: (800) 858-0033
Phone: (602) 268-3581
Fax: (602) 268-8448

TW Enterprises
(MT, WY, ID)
2059 North 9th Road
Warden, MT 59088
Parts: (800) 955-3795
Phone: (406) 245-4600
Fax: (406) 245-4333

Total Power Limited
(Canada)
5080 Timberlea Blvd. Unit #25
Mississauga, Ontario
Canada L4W4M2
Phone: (905) 238-1529
Fax: (905) 238-1533