

PB33000D

GENERAC[®]
POWER SYSTEMS, INC.

3.3 LITER

D I E S E L

ENGINE
PARTS
MANUAL

3.3L DIESEL TABLE OF CONTENTS

TABLE OF CONTENTS / LEGEND	1
ENGINE SERVICE RECOMMENDATIONS	2-3
QUICK REFERENCE ENGINE PARTS	3
CYLINDER BLOCK	4-5
TIMING GEAR CASE	6-7
CRANKSHAFT ASSEMBLY	8-9
CYLINDER HEAD AND COVER	10-11
CAMSHAFT AND VALVE TRAIN	12-13
OIL PUMP	14-15
OIL FILTER	16
OIL COOLER	17
OIL PAN	18-19
THERMOSTAT	20-21
WATER PUMP	22-23
INTAKE AND EXHAUST MANIFOLD	24-25
TURBOCHARGER	26-27
NOZZLE AND FUEL INJECTION PIPE	28-29
FUEL INJECTION PUMP	30-31
FUEL FILTER	32-33
ALTERNATOR AND STARTER	34-35
ENGINE COMMON PARTS	36-37
AIR CLEANER	38
ELECTRONIC GOVERNOR	39

LEGEND

“AR” AS REQUIRED
(STD) STANDARD SIZE
“O.S.” OVERSIZE
“U.S.” UNDERSIZE

NOTICE!

THE INFORMATION IN THIS MANUAL IS KNOWN TO BE ACCURATE AS OF THE DATE OF RELEASE SHOWN ON THE COVER. HOWEVER, ENGINEERING CHANGES CAN OCCUR WITHOUT NOTICE. TO OBTAIN THE PROPER PARTS, PLEASE BE SURE TO USE THE MODEL NUMBER OF THE UNIT BEING SERVICED WHEN ORDERING FROM THIS MANUAL.

3.3L DIESEL QUICK REFERENCE GUIDE

◆ ENGINE OIL RECOMMENDATIONS

The unit has been filled with “break in” engine oil at the factory. Use a high-quality detergent oil classified “For Service CC, SD, SE or SF.” Detergent oils keep the engine cleaner and reduce carbon deposits. Use oil having the following SAE viscosity rating, based on the ambient temperature range anticipated before the next oil change:

Engine Lubrication System:

Crankcase Oil Capacity6.5 L (6.9 U.S. qts.)

Temperature	Oil Grade (Recommended)
Above 80° F (27° C)	SAE 30W or 15W-40
30° to 80° F (-1° to 27° C)	SAE 20W-20 or 15W-40
Below 32° F (0° C)	SAE 10W or 15W-40

◆ COOLANT

Use a mixture of half low silicate, ethylene glycol base antifreeze and half soft water. Use only soft water and only low silicate antifreeze. If desired, you may add a high quality rust inhibitor to the recommended coolant mixture. When adding coolant, always add the recommended 50-50 mixture.

Cooling System:

Coolant Capacity

System.....14.6 L (15.5 U.S. qts.)

Engine8.5 L (9.0 U.S. qts.)

—▲ DANGER ▲—

▲ Do not remove the radiator pressure cap while the engine is hot or serious burns from boiling liquid or steam could result.

▲ Ethylene glycol base antifreeze is poisonous. Do not use your mouth to siphon coolant from the radiator, recovery bottle or any container. Wash your hands thoroughly after handling. Never store used antifreeze in an open container because animals are attracted to the smell and taste of antifreeze even though it is poisonous to them.

—▲ CAUTION ▲—

▲ Do not use any chromate base rust inhibitor with ethylene glycol base antifreeze, or chromium hydroxide (“green slime”) will form and cause overheating. Engines that have been operated with a chromate base rust inhibitor must be chemically cleaned before adding ethylene glycol base antifreeze. Using any high silicate antifreeze boosters or additives also will cause overheating. We also recommend that you DO NOT use any soluble oil inhibitor for this equipment.

PERIODIC MAINTENANCE SCHEDULE:

◆ AUTHORIZED OPERATOR MAINTENANCE FUNCTIONS

Every Month or 100 Hours

(whichever comes first)

- Test standby generator system.
- Inspect battery and cables.
- Check engine oil level.
- Check gearbox oil level (if so equipped).
- Check engine coolant level.
- Check generator ground connections.
- Test/inspect starting aids.

Every Three Months or Every 120 Hours

(whichever comes first)

- Inspect and test fuel system and connections.
- Inspect exhaust system.
- Inspect/test fuel supply system.

◆ AUTHORIZED SERVICE TECHNICIAN MAINTENANCE FUNCTIONS

After First 30 Hours of Operation

- Inspect wiring.
- Change engine crankcase oil and oil filter.
- Inspect engine fan belts.
- Inspect battery and cables.

Every Six Months or Every 200 Hours (whichever comes first)

- Change engine oil and filter.
- Lubricate engine controls.
- Service engine air cleaner.
- Service engine fuel filter.
- Inspect AC generator.
- Test engine safety controls.
- Inspect fan belts.
- Check engine coolant level.
- Inspect engine cooling system hoses.
- Check optional starting aids.
- Check battery.
- Check engine compression.
- Check electrical connections.
- Check/test annunciator panel.
- Perform operational test.

QUICK REFERENCE GUIDE

Annually or Every 600 Hours

(whichever comes first)

- Check engine valve clearance.
- Test fuel injection nozzles.
- Test injection timing.
- Inspect all wiring.
- Test engine starter operation.
- Drain water from fuel tank.
- Retorque fan bolts.
- Drain and refill gearbox (if so equipped)

Every Two Years

- Replace all rubber hoses.
- Replace engine fan belts.
- Inspect the Standby Generator System.
- Drain, flush, refill cooling system.

Every 1,000 Operating Hours

- Inspect engine DC alternator.
- Inspect engine starter.
- Retorque engine mounting brackets.
- Remove/test fuel injection pump.
- Remove/test cooling system thermostat.

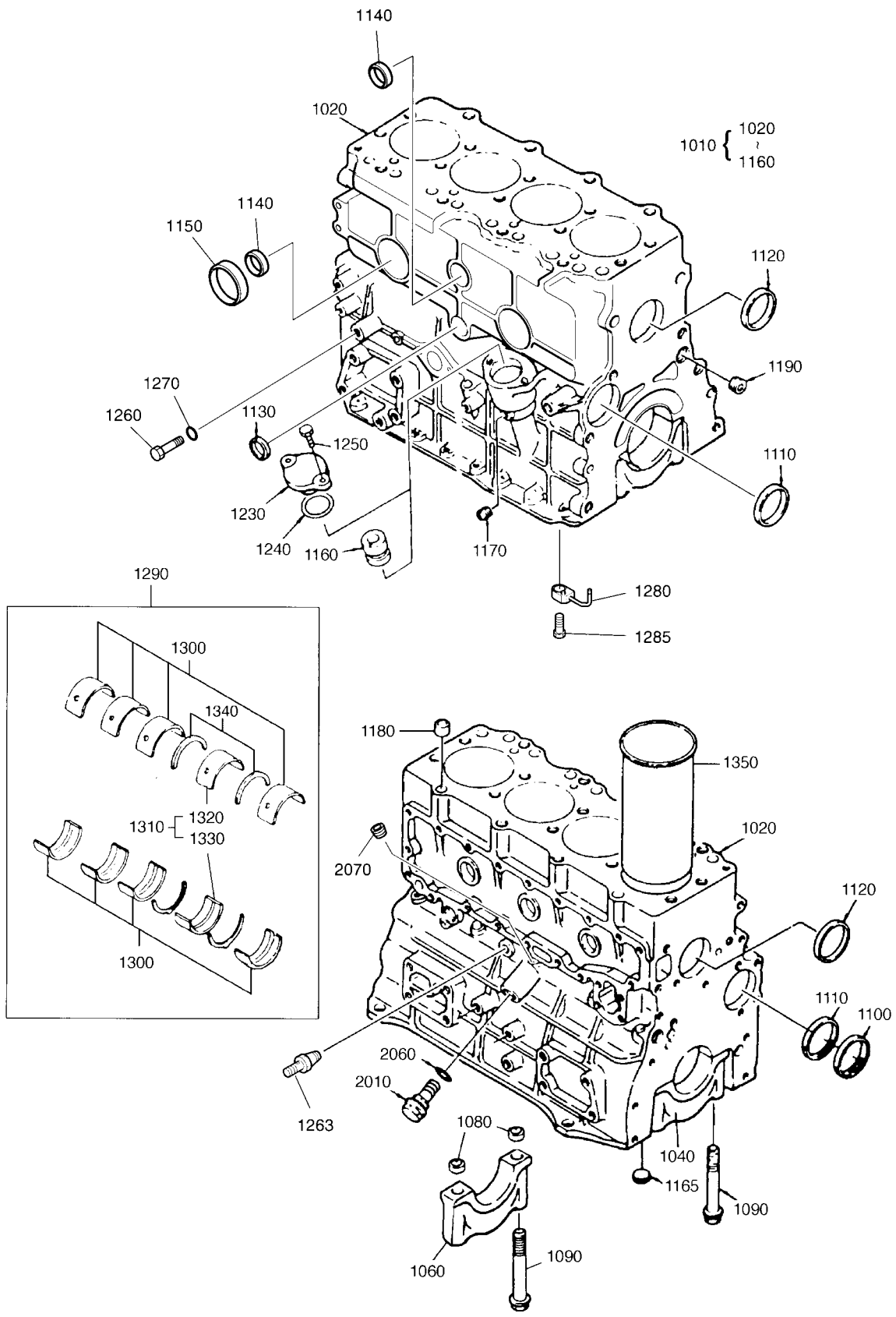
As Required

- Bleed engine fuel system.

QUICK REFERENCE ENGINE PARTS

PART NUMBER	DESCRIPTION	QTY
0C2725	AIR CLEANER	1
0C27100284	OIL FILTER	1
0C27100423	STARTER	1
0C27100421	ALTERNATOR	1
0C4731A	THERMOSTAT HOUSING	1
0C27100306	THERMOSTAT ELEMENT	1
0C27100311	THERMOSTAT GASKET	1
53666	OIL TEMPERATURE SWITCH	1
A8584	OIL LEVEL SWITCH	1
57522	WATER LEVEL SENSOR	1
0C27100223	CYLINDER HEAD COVER GASKET	1
0C27100319	WATER PUMP	1
0C27100324	WATER PUMP GASKET	1
0C27100328	FAN BELT	1
0C27100411	FUEL FILTER CARTRIDGE	1
0C27100316	THERMOMETER UNIT	1
0C27100313	THERMO SWITCH	1

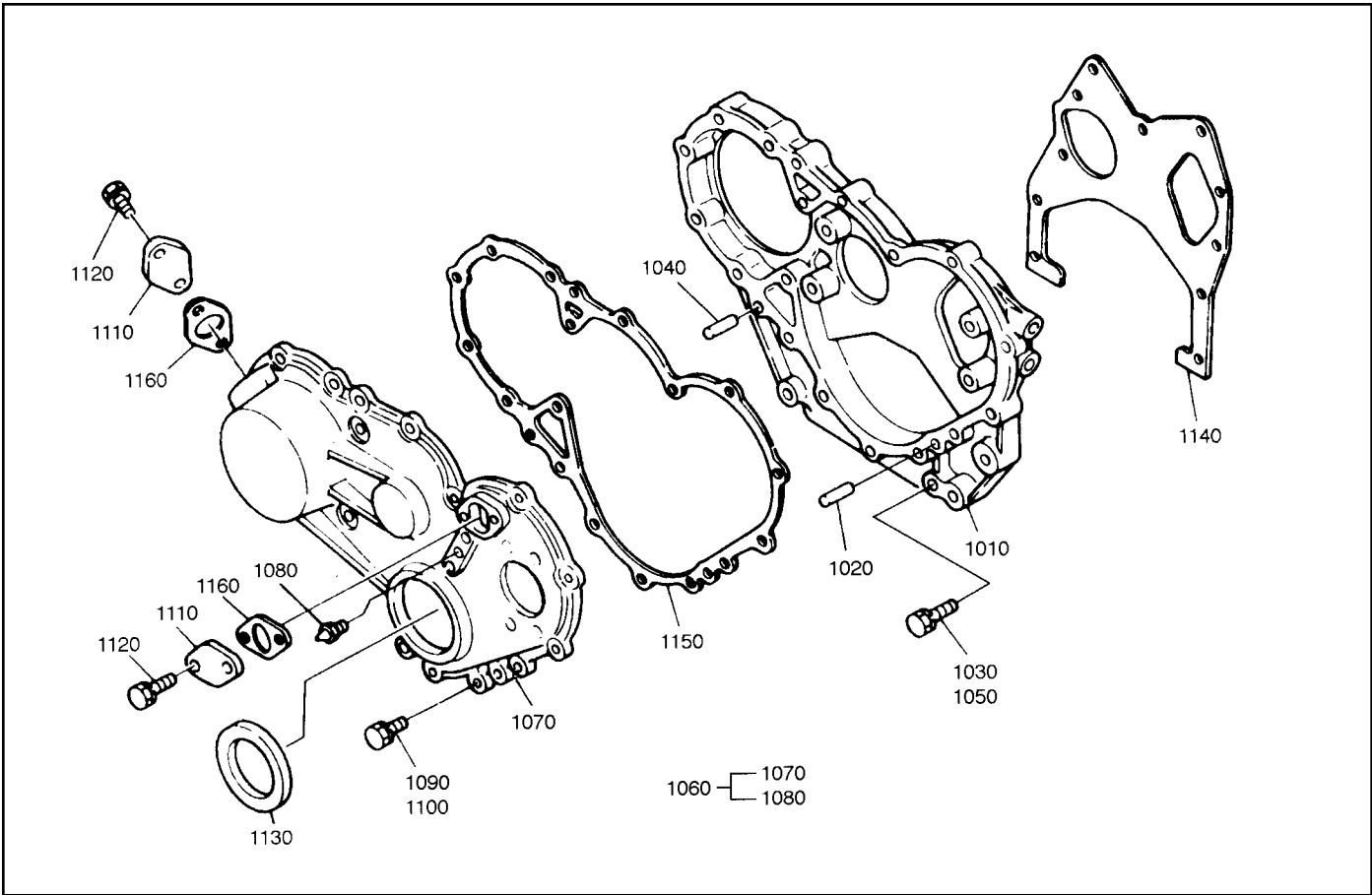
3.3L DIESEL CYLINDER BLOCK



3.3L DIESEL CYLINDER BLOCK

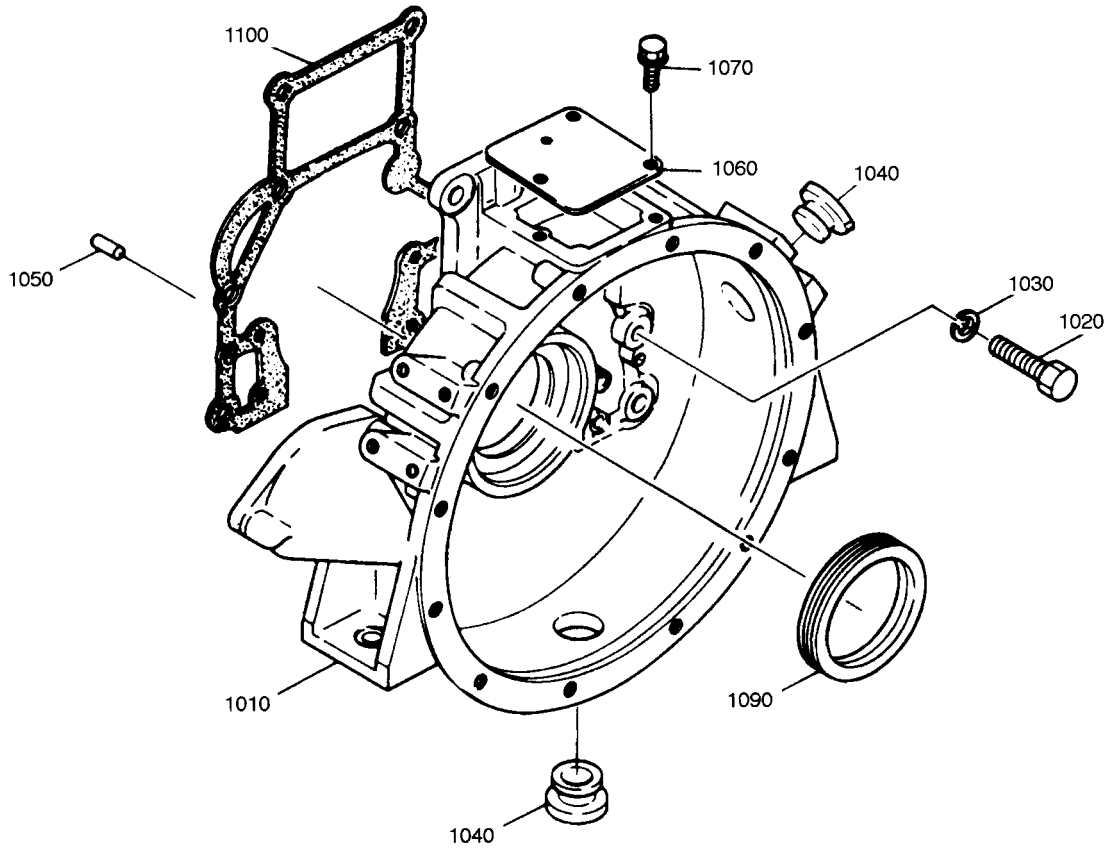
ITEM	PART NUMBER	DESCRIPTION	QTY
1010	0C27100100	CYLINDER BLOCK ASSEMBLY (INCL ITEMS 1020-1060)	1
1020	INCLUDED IN 1010	CYLINDER BLOCK	
1040	INCLUDED IN 1010	CAP, BEARING	
1060	INCLUDED IN 1010	CAP, BEARING	
1080	0C27100101	RING, STOPPER	2
1090	0C27100102	BOLT, COLLARED, HEX	10
1100	0C27100103	BUSH, CAMSHAFT (FRONT)	1
1110	0C27100104	BUSH, CAMSHAFT	2
1120	0C27100105	PLUG, CORE	2
1130	0C27100106	PLUG, CORE	1
1140	0C27100107	PLUG, CORE	3
1150	0C27100108	PLUG, CORE	2
1160	0C27100109	BUSH, DRIVE GEAR	1
1165	0C27100110	SCREW, PLUG, HEADLESS TAPER PT3/8	1
1170	0C27100111	SCREW, PLUG, HEADLESS TAPER PT1/8	7
1180	0C27100112	RING, STOPPER	2
1190	0C27100113	PLUG, CORE	1
1230	0C27100114	COVER, CORE HOLE	1
1240	0C27100115	O-RING	1
1250	0C27100116	BOLT, M8 X 20	2
1260	0C27100117	SCREW, PLUG	1
1263	0C27100118	UNION, HOLLOW	1
1270	0C27100119	RING, SEAL	1
1280	0C27100120	NOZZLE, OIL SPRAY	4
1285	0C27100121	RELIEF VALVE ASSEMBLY	4
1290	0C27100122	BEARING SET, MAIN	1
1300	0C27100123	BEARING, MAIN (STD)	8
	0C27100124	BEARING, MAIN (0.25)	8
	0C27100125	BEARING, MAIN (0.50)	8
	0C27100126	BEARING, MAIN (0.75)	8
	0C27100127	BEARING, MAIN (1.00)	8
	0C27100128	BEARING, MAIN (1.25)	8
1310	0C27100129	BEARING, MAIN CENTER (STD)	1
1320	0C27100130	BEARING, MAIN CENTER (UPPER)	1
	0C27100131	BEARING, MAIN CENTER (UPPER) (0.25 U.S.)	1
	0C27100132	BEARING, MAIN CENTER (UPPER) (0.50 U.S.)	1
	0C27100133	BEARING, MAIN CENTER (UPPER) (0.75 U.S.)	1
	0C27100134	BEARING, MAIN CENTER (UPPER) (1.00 U.S.)	1
	0C27100135	BEARING, MAIN CENTER (UPPER) (1.25 U.S.)	1
1330	0C27100136	BEARING, MAIN CENTER (LOWER)	1
	0C27100137	BEARING, MAIN CENTER (LOWER) (0.25 U.S.)	1
	0C27100138	BEARING, MAIN CENTER (LOWER) (0.50 U.S.)	1
	0C27100139	BEARING, MAIN CENTER (LOWER) (0.75 U.S.)	1
	0C27100140	BEARING, MAIN CENTER (LOWER) (1.00 U.S.)	1
	0C27100141	BEARING, MAIN CENTER (LOWER) (1.25 U.S.)	1
1340	0C27100142	WASHER, THRUST	2
1350	0C27100143	LINER, CYLINDER (ALTV)	4
1360	0C27100144	LINER, CYLINDER (1A)	4
1370	0C27100145	LINER, CYLINDER (1B)	4
1380	0C27100146	LINER, CYLINDER (2A)	4
1390	0C27100147	LINER, CYLINDER (2B)	4
2010	0C27100149	RELIEF VALVE ASSEMBLY	1
2060	0C27100150	O-RING	1
2070	0C27100151	SCREW, HEADLESS TAPER PLUG	1

3.3L DIESEL TIMING GEAR CASE



ITEM	PART NUMBER	DESCRIPTION	QTY
1010	0C27100152	CASE, TIMING GEAR	1
1020	0C27100153	PIN	1
1030	0C27100154	BOLT M8 X 45	2
1040	0C27100155	PIN	1
1050	0C27100116	BOLT M8 X 20	4
1060	0C27100156	COVER, TIMING GEAR CASE	1
1070	0C27100157	COVER, TIMING GEAR CASE	1
1080	0C27100158	POINTER, TIMING	1
1090	0C27100159	HEX BOLT M8 X 25	7
1100	0C27100160	BOLT M8 X 55	5
1110	0C27100161	COVER	2
1120	0C27100162	BOLT M6 X 16	4
1130	0C27100163	SEAL, OIL	1
1140	0C27100164	GASKET, TIMING GEAR CASE TO ENGINE	1
1150	0C27100165	GASKET, TIMING GEAR CASE	1
1160	0C27100166	GASKET	2

3.3L DIESEL FLYWHEEL HOUSING

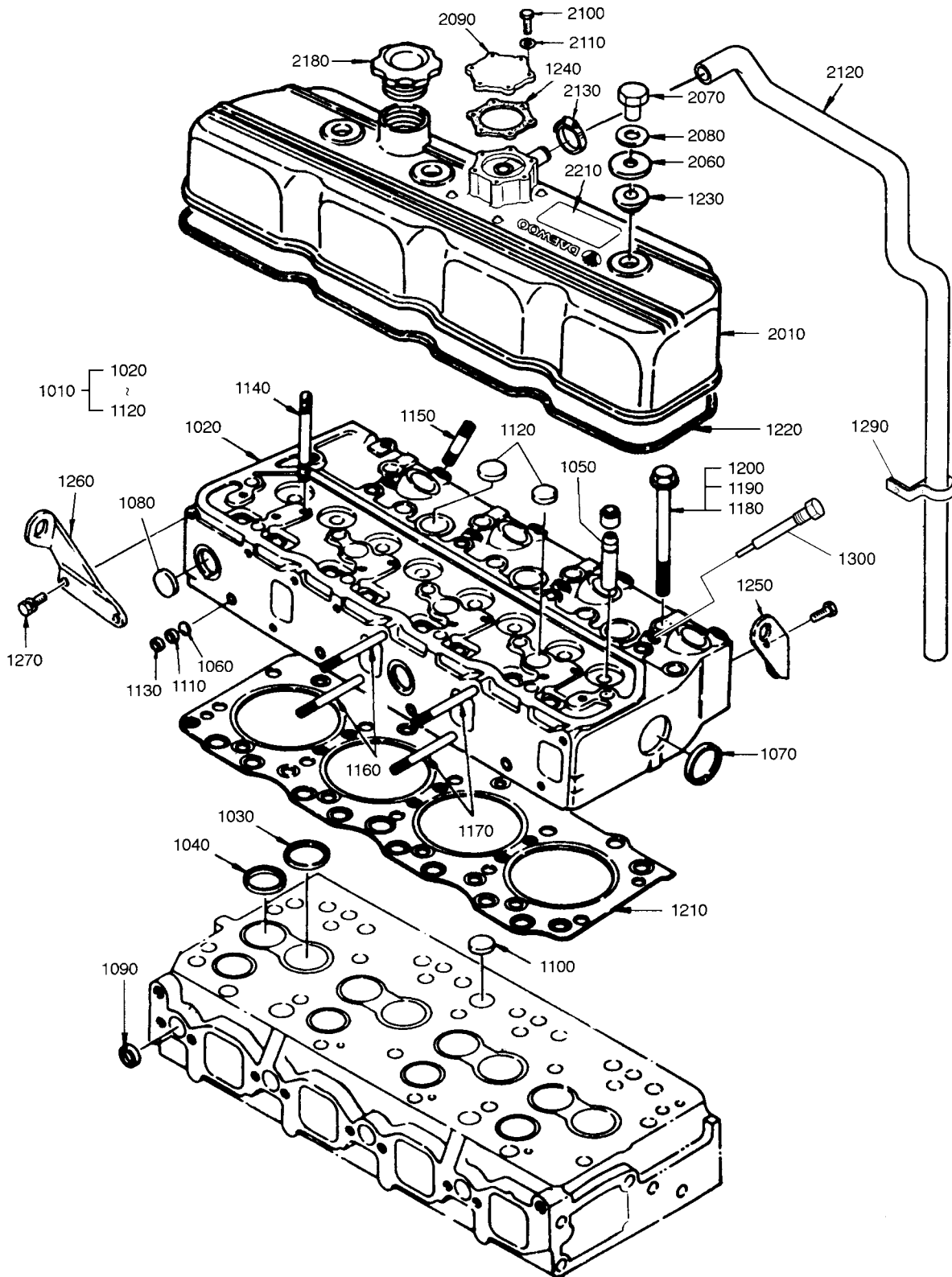


ITEM	PART NUMBER	DESCRIPTION	QTY
1010	0C27100167	HOUSING, FLYWHEEL	1
1020	0C27100168	BOLT, HEX M14 X 1.5 X 50	6
1030	0C27100169	WASHER, SPRING A14	6
1040	0C27100170	CAP, RUBBER, FLYWHEEL HOUSING	2
1050	0C27100155	PIN, FLYWHEEL HOUSING	2
1060	0C3930	MAGNETIC PICKUP PLATE	1
1070	0C27100172	BOLT M10 X 1.5 X 16	3
1090	0C27100173	SEAL, OIL, FLYWHEEL HOUSING	1
1100	0C27100174	GASKET, FLYWHEEL HOUSING TO ENGINE	1

3.3L DIESEL CRANKSHAFT ASSEMBLY

ITEM	PART NUMBER	DESCRIPTION	QTY
1010	0C27100175	CRANKSHAFT ASSEMBLY	1
1020	0C27100176	CRANKSHAFT	1
1040	0C27100177	PIN, PARALLEL, CRANKSHAFT TO FLYWHEEL	1
1050	0C27100178	KEY, SUNK	1
1060	0C27100179	KEY, SUNK	1
1070	0C27100180	NUT, HEX	1
1080	0C27100181	GEAR, CRANKSHAFT	1
1100	0C27100182	WASHER, CRANKSHAFT	1
1110	0C27100183	PULLEY, V-BELT	1
2010	0C27100184	FLYWHEEL ASSEMBLY	1
2020	0C27100185	FLYWHEEL	1
2030	0C27100186	RING GEAR	1
2050	0C27100187	BOLT, HEX M14 X 1.5 X 35	6
2060	0C27100188	BEARING BALL	1
2070	0C27100169	WASHER, SPRING	6
2080	0C27100189	PIN, PARALLEL 10 X 24	2
3010	0C27100190	CONNECTING ROD ASSEMBLY	4
3030	0C27100191	CONNECTING ROD	1
3050	0C27100192	BOLT, CONNECTING ROD	2
3060	0C27100193	BUSHING, CONNECTING ROD	1
3070	0C27100194	BEARING, CONNECTING ROD	4
4010	0C27100195	PISTON, (ALTV)	4
4020	0C27100196	PISTON (A GRADE)	4
4030	0C27100197	PISTON (B GRADE)	4
4040	0C27100198	RING SET, PISTON	4
4050	0C27100199	TOP RING, PISTON	4
4060	0C27100200	2ND RING, PISTON	4
4070	0C27100201	OIL RING, PISTON	4
4080	0C27100202	PIN, PISTON	4
4090	0C27100203	RING, LOCK, PISTON PIN	8

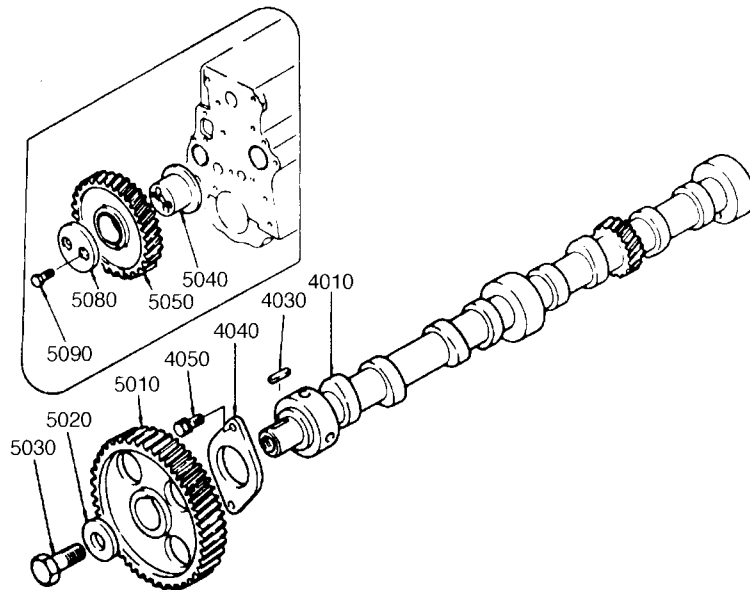
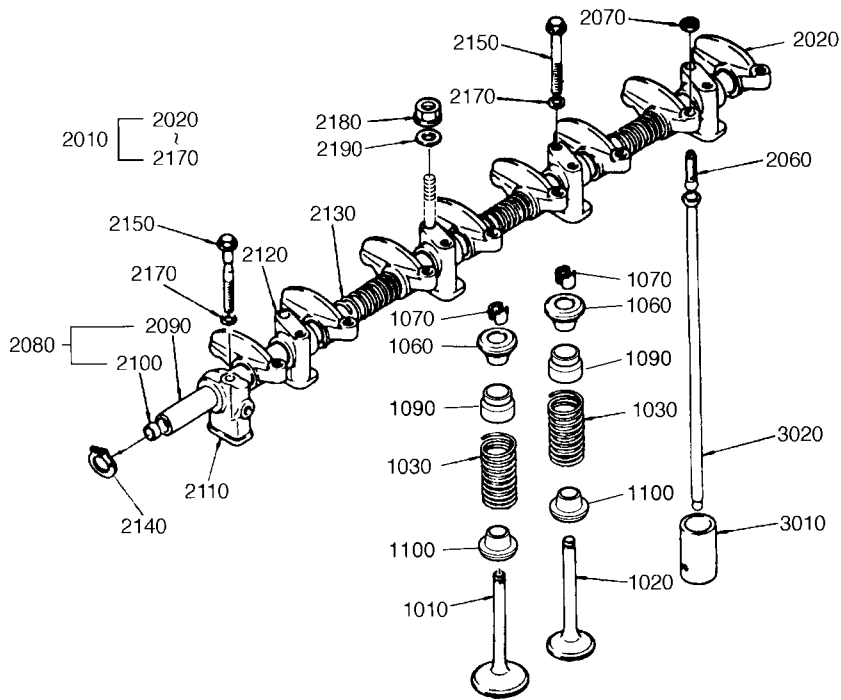
3.3L DIESEL CYLINDER HEAD AND COVER



3.3L DIESEL CYLINDER HEAD AND COVER

ITEM	PART NUMBER	DESCRIPTION	QTY
1010	0C27100204	CYLINDER HEAD ASSY (INCL ITEMS 120-1120)	1
1020	INCLUDED IN ITEM 1010	CYLINDER HEAD	1
1030	0C27100205	SEAT, VALVE, INTAKE	4
1040	0C27100206	SEAT, VALVE, EXHAUST	4
1050	0C27100207	GUIDE, VALVE	8
1060	0C27100208	PLUG, CORE	4
1070	0C27100209	PLUG, CORE	1
1080	0C27100210	PLUG, CORE	2
1090	0C27100211	PLUG, CORE	4
1100	0C27100212	PLUG, CORE	2
1110	0C27100213	PLUG, CORE	4
1120	0C27100211	PLUG, CORE	3
1130	0C27100214	PLUG, CORE	4
1140	0C27100215	BOLT, STUD	3
1150	0C27100216	BOLT, STUD	8
1160	0C27100217	BOLT, STUD	2
1170	0C27100218	BOLT, STUD	2
1180	0C27100219	BOLT, COLLARED, HEX	13
1190	0C27100220	BOLT, COLLARED, HEX	1
1200	0C27100221	BOLT, COLLARED, HEX	4
1210	0C27100222	GASKET, CYLINDER HEAD	1
1220	0C27100223	GASKET, CYLINDER HEAD COVER	1
1230	0C27100224	WASHER, SPACER	3
1240	0C27100225	GASKET, COVER	1
1250	0C27100226	HOOK, LIFTING	1
1260	0C27100227	HOOK, LIFTING	1
1270	0C27100228	HEX BOLT M10 X 35	2
1290	0C27100229	CLIP, PIPE	1
1300	0C27100230	PLUG, DUMMY	4
2010	0C27100231	COVER, CYLINDER HEAD	1
2060	0C27100232	WASHER	3
2070	0C27100233	NUT, HEX	3
2080	0C27100234	WASHER	3
2090	0C27100235	COVER	1
2100	0C27100236	BOLT M5 X 12	6
2110	0C27100237	WASHER, SPRING	6
2120	0C27100238	HOSE, RUBBER	1
2130	0C27100239	CLAMP, HOSE	1
2180	0C27100240	CAP, FILLER	1
2210	0C27100241	PLATE, NAME	1

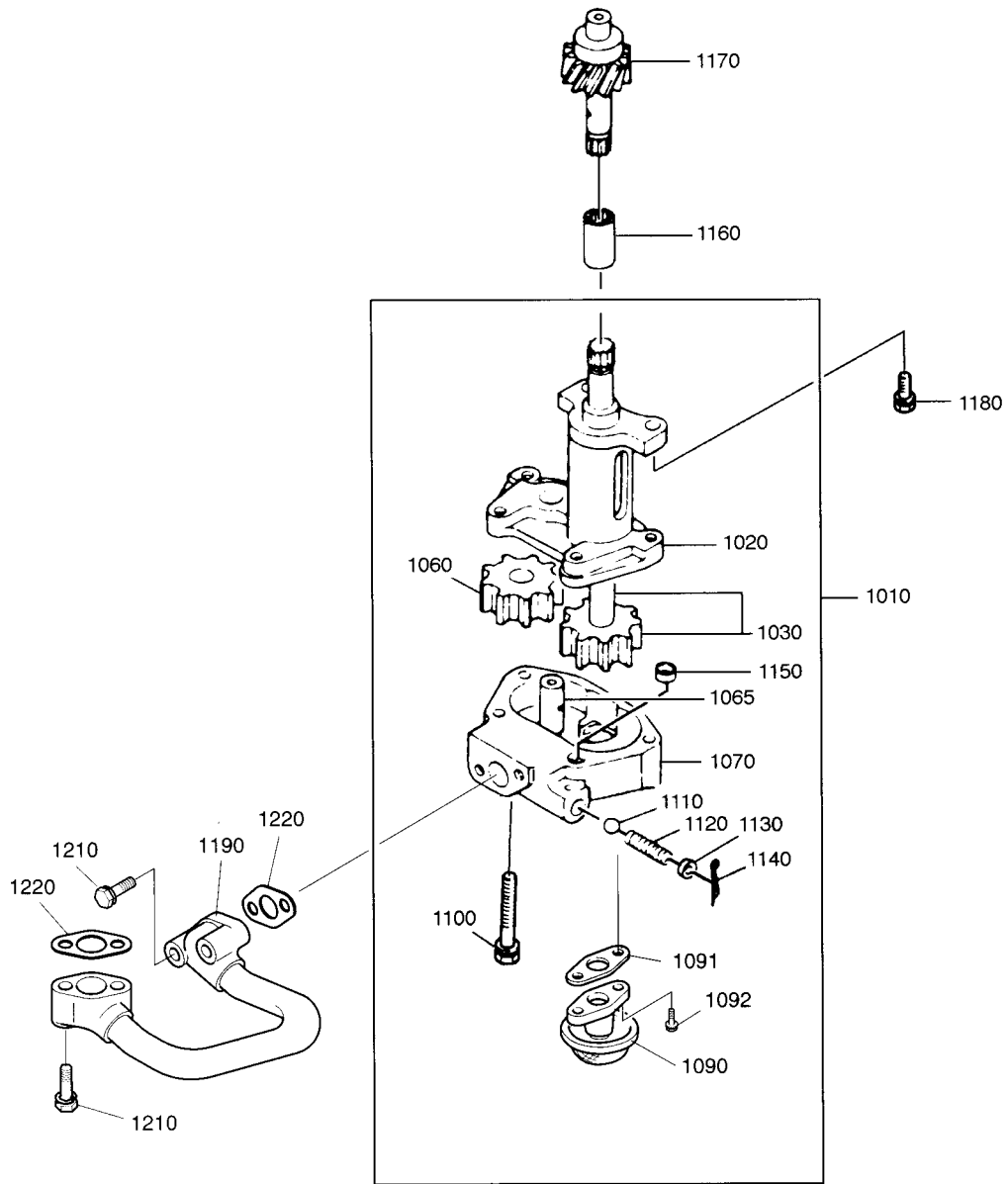
3.3L DIESEL CAMSHAFT AND VALVE TRAIN



3.3L DIESEL CAMSHAFT AND VALVE TRAIN

ITEM	PART NUMBER	DESCRIPTION	QTY
1010	0C27100242	VALVE, INTAKE	4
1020	0C27100243	VALVE, EXHAUST	4
1030	0C27100244	SPRING, VALVE	8
1060	0C27100245	PLATE, VALVE SPRING	8
1070	0C27100246	COTTER, VALVE	16
1090	0C27100247	SEAL, VALVE STEM	8
1100	0C27100248	PLATE, VALVE SPRING	8
2010	0C27100249	ROCKER ARM AND SHAFT ASSY	1
2020	0C27100250	ROCKER ARM ASSY	8
2060	0C27100251	SCREW, ADJUST	8
2070	0C27100252	NUT, HEX	8
2080	0C27100253	ROCKER ARM SHAFT ASSY	1
2090	0C27100254	SHAFT, ROCKER ARM	1
2100	0C27100255	PLUG, CORE	2
2110	0C27100256	BRACKET, ROCKER ARM SHAFT	1
2120	0C27100257	BRACKET, ROCKER ARM SHAFT	4
2130	0C27100258	SPRING, ROCKER SHAFT	3
2140	0C27100259	RING, SNAP	1
2150	0C27100260	BOLT, HEX M8 X 65	6
2170	0C27100261	WASHER	6
2180	0C27100262	NUT, HEX	3
2190	0C27100261	WASHER	3
3010	0C27100263	TAPPET	8
3020	0C27100264	PUSH ROD	8
4010	0C27100265	CAMSHAFT	1
4030	0C27100266	KEY, CAMSHAFT	1
4040	0C27100267	FLANGE	1
4050	0C27100159	HEX BOLT M8 X 25	2
5010	0C27100268	GEAR, CAMSHAFT	1
5020	0C27100269	WASHER, CAMSHAFT GEAR	1
5030	0C27100270	BOLT, HEX	1
5040	0C27100271	PIN, IDLE GEAR	1
5050	0C27100272	GEAR, IDLE	1
5080	0C27100273	WASHER, THRUST, IDLE GEAR	1
5090	0C27100274	BOLT M10 X 55	2

3.3L DIESEL OIL PUMP

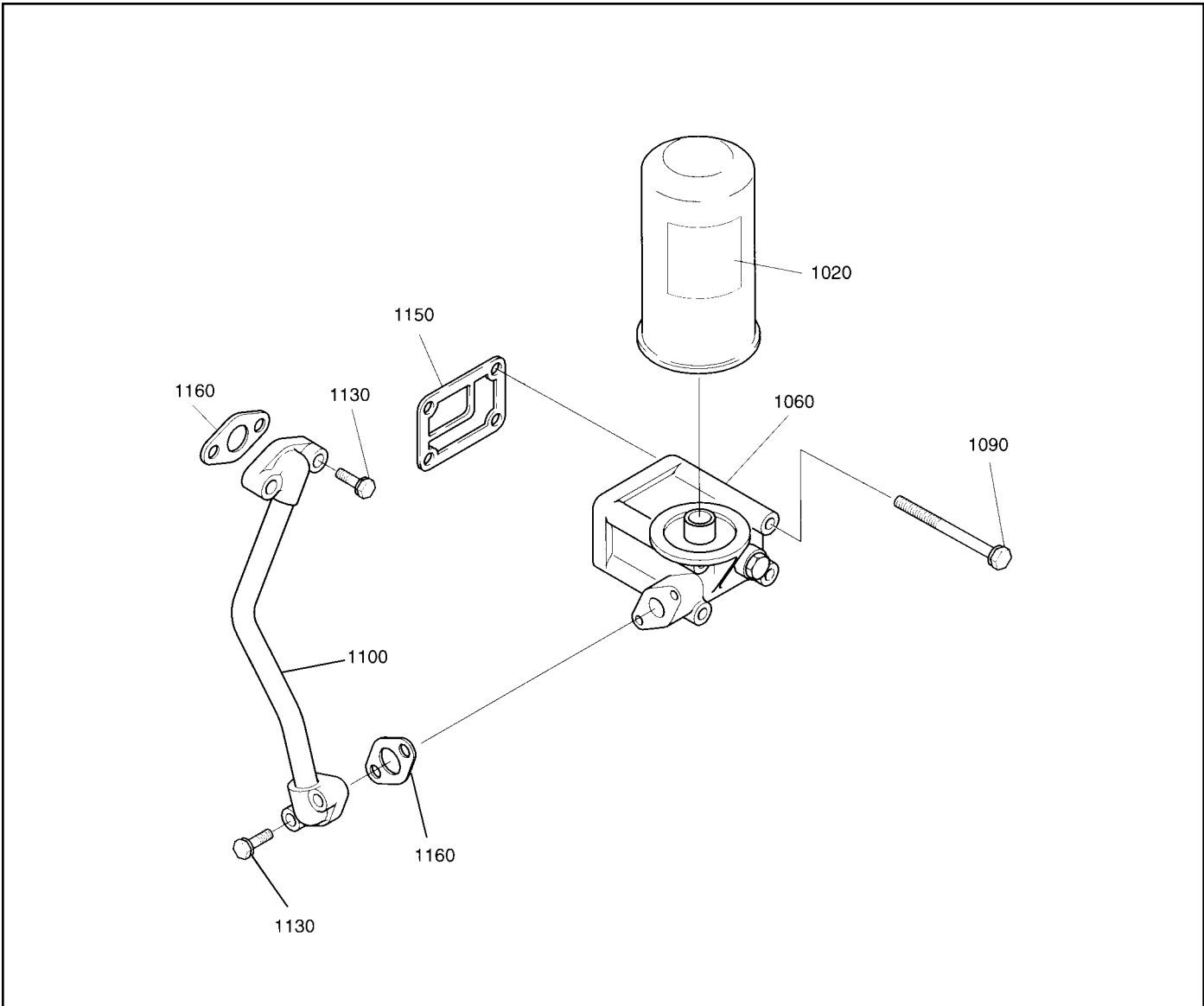


3.3L DIESEL OIL PUMP

ITEM	PART NUMBER	DESCRIPTION	QTY
1010	0C27100275	OIL PUMP ASSEMBLY (SEE NOTE)	1
1090	0C27100276	STRAINER	1
1091	0C27100277	GASKET, FLANGE	1
1092	0C27100116	BOLT M8 X 20	2
1100	0C27100160	BOLT M8 X 55	4
1160	0C27100278	SLEEVE, COUPLING	1
1170	0C27100279	GEAR, OIL PUMP DRIVE	1
1180	0C27100280	BOLT M10 X 25	2
1190	0C27100281	PIPE, OIL	1
1210	0C27100282	BOLT M8 X 45	4
1220	0C27100283	GASKET, OIL PIPE	2

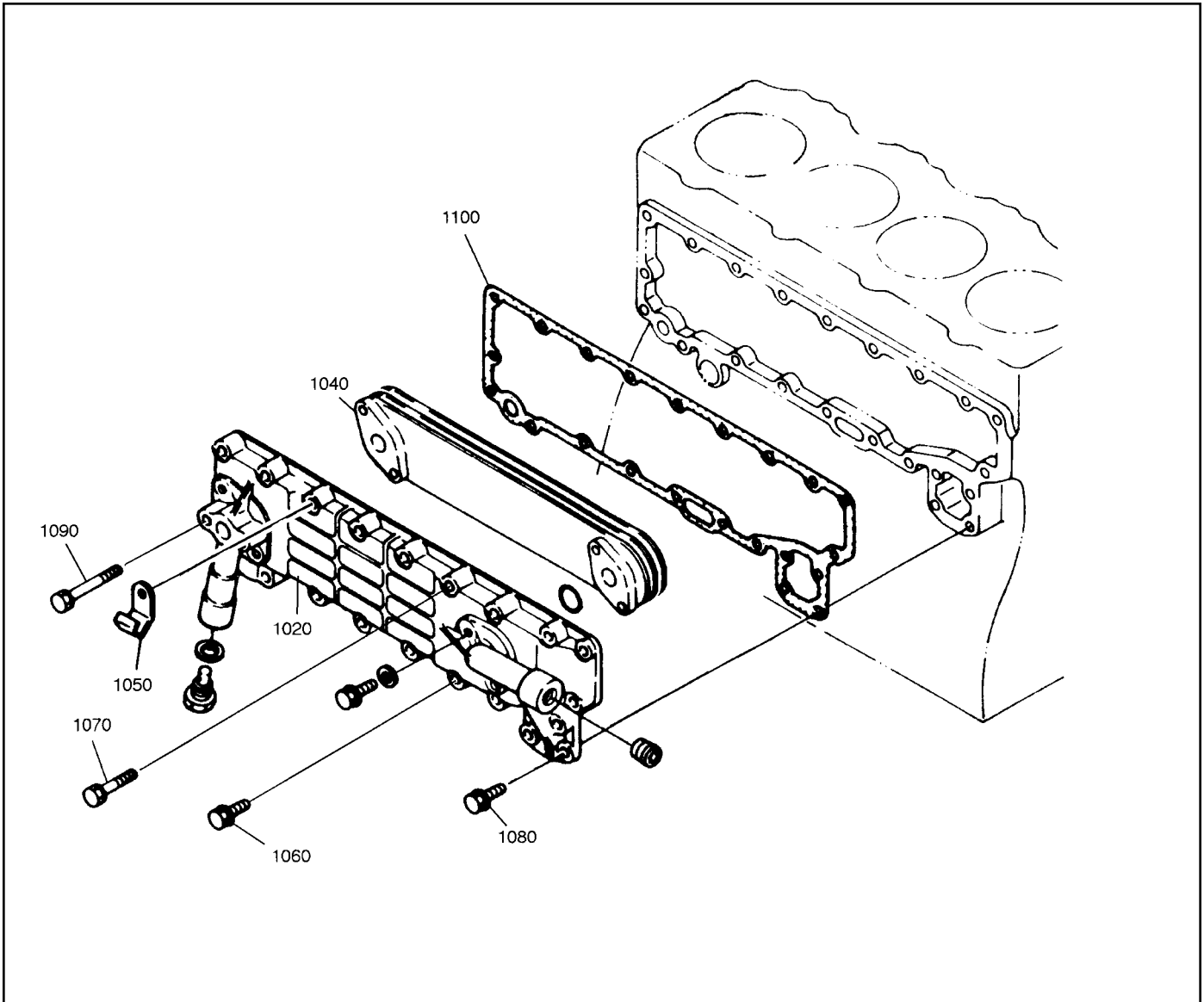
NOTE: 0C27100275 OIL PUMP ASSEMBLY INCLUDES ITEMS 1020, 1030, 1050, 1060, 1065, 1090, 1091, 1092, 1100, 1110, 1120, 1130, 1140, 1150

3.3L DIESEL OIL FILTER



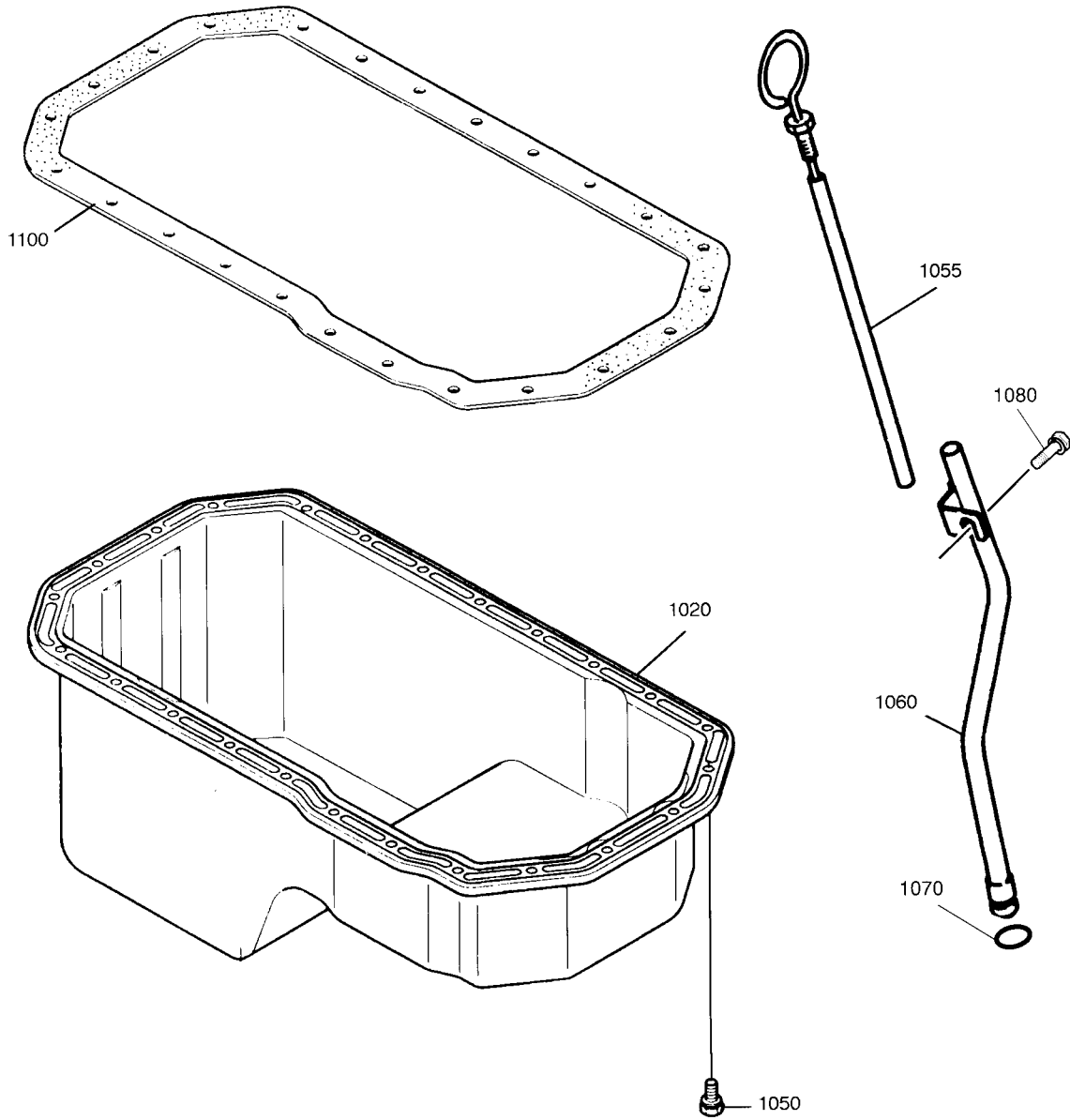
ITEM	PART NUMBER	DESCRIPTION	QTY
1020	0C27100284	CARTRIDGE, OIL FILTER	1
1060	0C27100285	HEAD, OIL FILTER	1
1090	0C27100286	BOLT M10 X 1.25 X 130	4
1100	0C27100287	PIPE, OIL	1
1130	0C27100288	BOLT M8 X 35	4
1150	0C27100289	GASKET, OIL FILTER	1
1160	0C27100290	GASKET, OIL PIPE	2

3.3L DIESEL OIL COOLER



ITEM	PART NUMBER	DESCRIPTION	QTY
1020	0C27100291	HOUSING, OIL COOLER	1
1040	0C27100292	ELEMENT, OIL COOLER	1
1050	0C27100293	CLIP, PIPE	2
1060	0C27100159	HEX BOLT M8 X 25	11
1070	0C27100154	BOLT M8 X 45	8
1080	0C27100116	BOLT M8 X 20	2
1090	0C27100294	BOLT M8 X 65	2
1100	0C27100295	GASKET, OIL COOLER	1

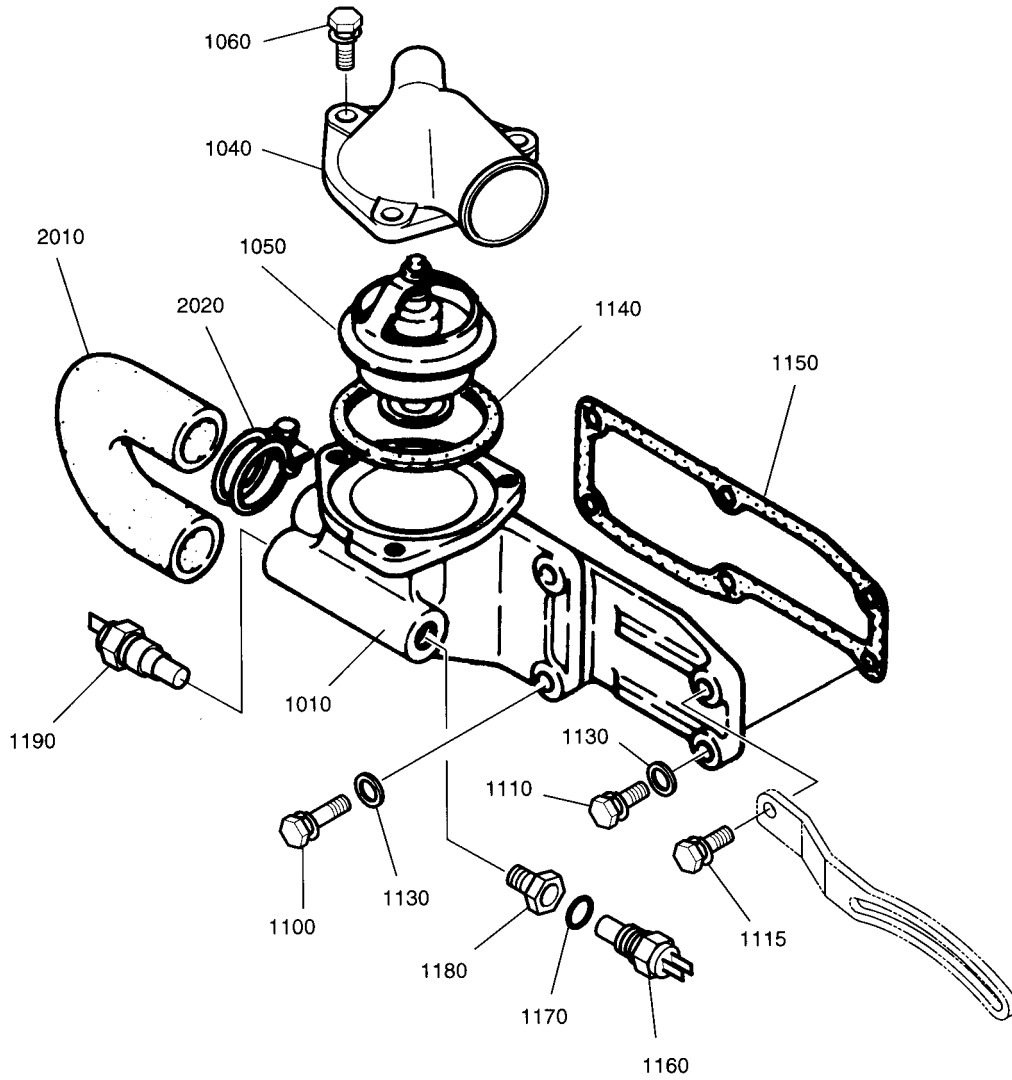
3.3L DIESEL OIL PAN



3.3L DIESEL OIL PAN

ITEM	PART NUMBER	DESCRIPTION	QTY
1020	0C27100296	PAN, OIL	1
1050	0C27100299	BOLT M8 X 18	24
1055	0C27100300	GAUGE, OIL LEVEL	1
1060	0C27100301	TUBE, GUIDE	1
1070	0C27100302	O-RING	1
1080	0C27100303	BOLT M8 X 16	1
1100	0C27100304	GASKET, OIL PAN	1

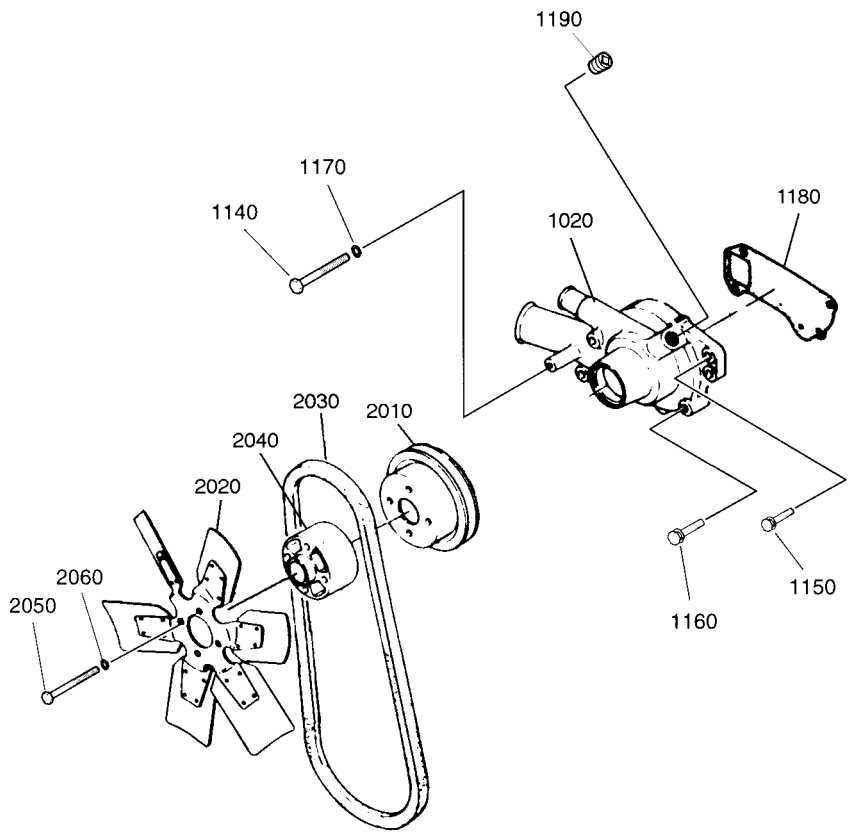
3.3L DIESEL THERMOSTAT



3.3L DIESEL THERMOSTAT

ITEM	PART NUMBER	DESCRIPTION	QTY
1010	0C27100305	HOUSING, THERMOSTAT	1
1040	0C4731A	OUTLET, WATER	1
1050	0C27100306	ELEMENT, THERMOSTAT	1
1060	0C27100159	HEX BOLT M8 X 25	3
1100	0C27100307	HEX BOLT M10 X 1.25 X 40	4
1110	0C27100308	HEX BOLT M10 X 1.25 X 30	1
1115	0C27100309	HEX BOLT M10 X 1.25 X 35	1
1130	0C27100310	WASHER	5
1140	0C27100311	GASKET, THERMOSTAT	1
1150	0C27100312	GASKET, THERMOSTAT HOUSING	1
1160	0C27100313	SWITCH, THERMO	1
1170	0C27100314	O-RING	1
1180	0C27100315	ADAPTER	1
1190	0C27100316	UNIT, THERMOMETER	1
2010	0C27100317	HOSE, RUBBER	1
2020	0C27100318	HOSE CLAMP	2

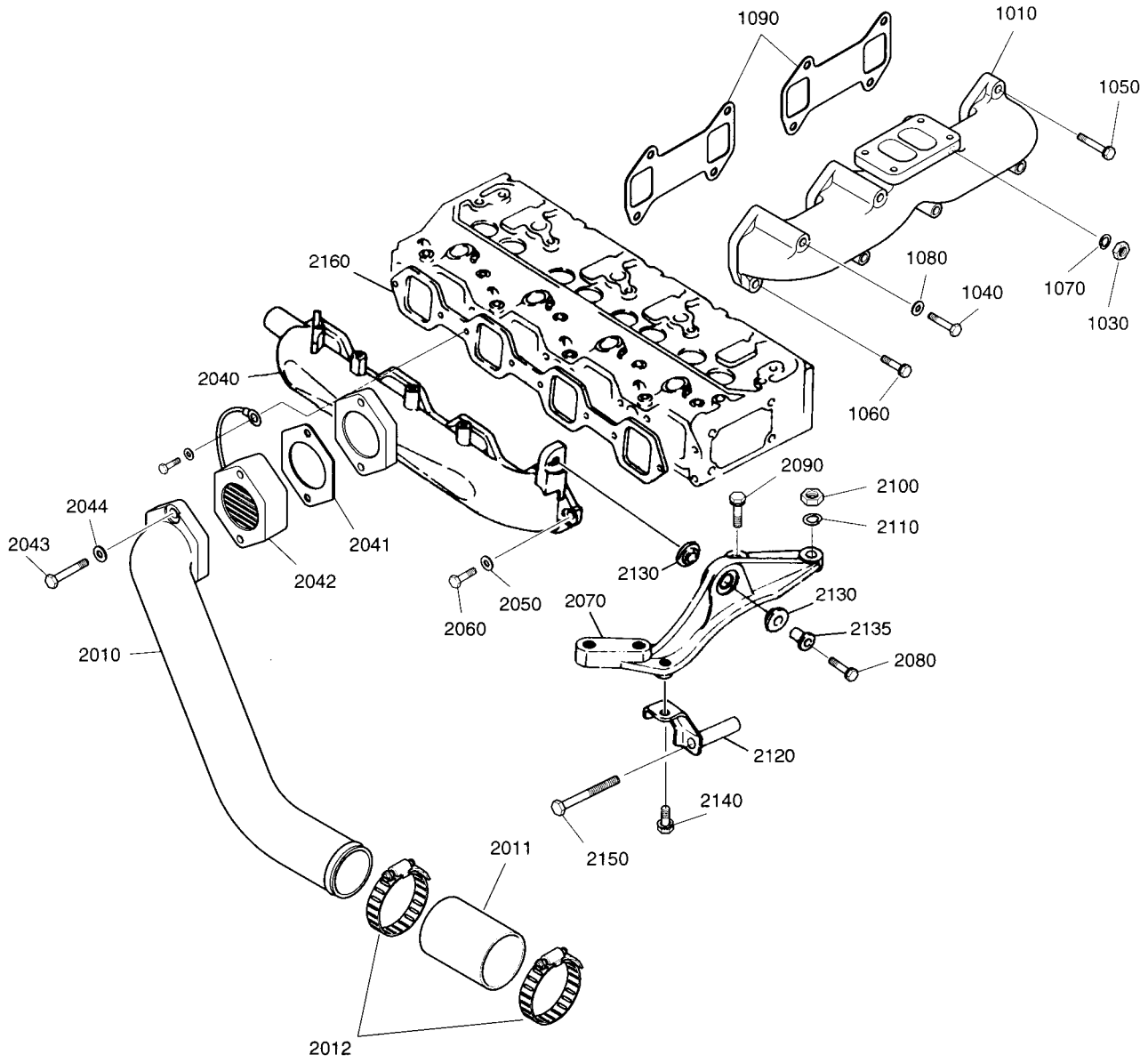
3.3L DIESEL WATER PUMP



3.3L DIESEL WATER PUMP

ITEM	PART NUMBER	DESCRIPTION	QTY
1010	0C27100319	WATER PUMP ASSEMBLY	1
1140	0C27100320	BOLT M10 X 1.25 X 75	2
1150	0C27100321	BOLT M8 X 40	1
1160	0C27100322	BOLT M10 X 50	1
1170	0C27100323	WASHER	2
1180	0C27100324	GASKET, WATER PUMP	1
1190	0C27100325	PLUG	1
2010	0C27100326	PULLEY, FAN	1
2020	0C27100327	FAN, COOLING	1
2030	0C27100328	V-BELT	1
2040	0C27100329	FLANGE, FAN	1
2050	0C27100330	BOLT M8 X 95	4
2060	0C27100331	WASHER, SPRING	4

3.3L DIESEL INTAKE AND EXHAUST MANIFOLD



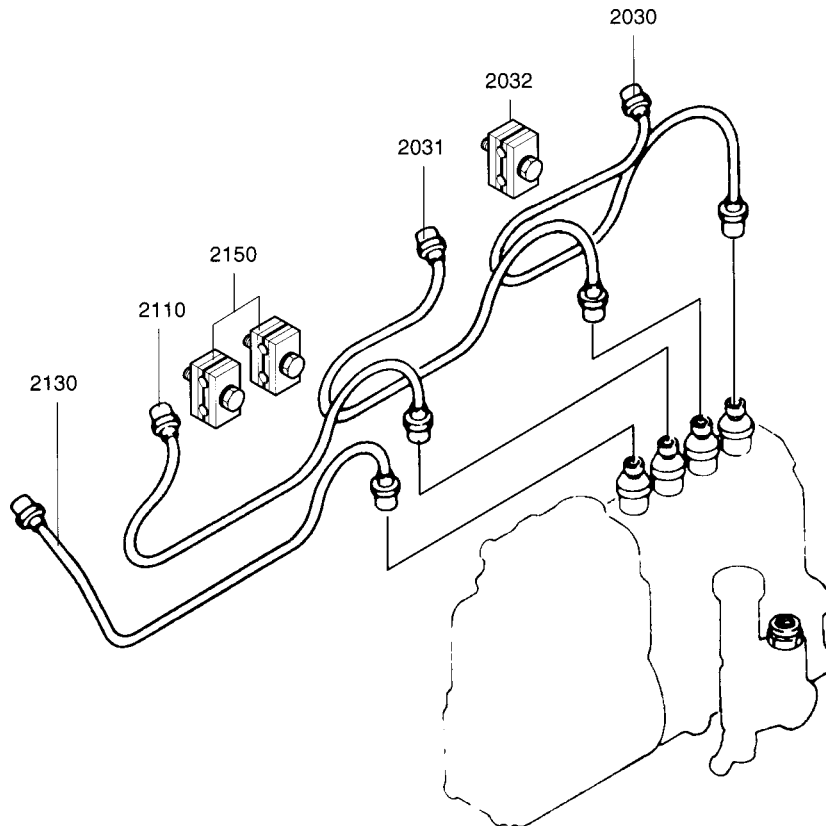
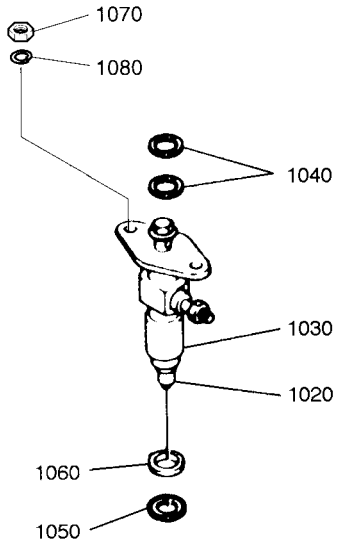
3.3L DIESEL INTAKE AND EXHAUST MANIFOLD

ITEM	PART NUMBER	DESCRIPTION	QTY
1010	0C27100332	MANIFOLD, EXHAUST	1
1030	0C27100262	NUT, HEX M8	4
1040	0C27100333	BOLT M8 X 110	2
1050	0C27100334	BOLT M8 X 90	1
1060	0C27100335	BOLT M8 X 85	1
1070	0C27100331	WASHER, SPRING	4
1080	0C27100336	WASHER	3
1090	0C27100337	GASKET, EXHAUST MANIFOLD	2
2010	0C27100338	PIPE, INLET	1
2011	0C27100339	HOSE, RUBBER	1
2012	0C27100340	CLAMP, HOSE	2
2040	0C27100341	MANIFOLD, INTAKE	1
2041	0C27100342	GASKET, FLANGE	2
2042	0C27100343	AIR HEATER	1
2043	0C27100344	BOLT M10 X 1.5 X 65	2
2044	0C27100310	WASHER	2
2050	0C27100234	WASHER	8
2060	0C27100345	BOLT M8 X 28	8
2070	0C27100346	BRACKET, INTAKE MANIFOLD	1
2080	0C27100321	BOLT M8 X 40	1
2090	0C27100228	BOLT M10 X 35	1
2100	0C27100347	NUT, HEX M10 X 1.25	1
2110	0C27100323	WASHER	1
2120	0C27100348	BRACKET, INTAKE MANIFOLD	1
2130	0C27100349	CUSHION, RUBBER	2
2135	0C27100350	BUSH	1
2140	0C27100299	BOLT M8 X 18	1
2150	0C27100351	BOLT M10 X 80	1
2160	0C27100352	GASKET, INTAKE MANIFOLD	1

3.3L DIESEL TURBOCHARGER

ITEM	PART NUMBER	DESCRIPTION	QTY
1010	0C27100353	TURBOCHARGER ASSEMBLY	1
1020	0C27100354	GASKET, TURBOCHARGER	1
1030	0C27100355	BOLT, STUD	2
	0C27100356	BOLT, STUD	2
1040	0C27100323	WASHER	4
	0C27100310	WASHER	4
1050	0C27100357	NUT, HEX M10 X 1.25	4
1060	0C27100358	JOINT, EXHAUST MANIFOLD ELBOW	1
1070	0C27100359	RING, INTERMEDIATE	2
1080	0C27100360	BRACKET, ELBOW	1
1090	0C27100361	BOLT M10 X 25	1
1100	0C27100362	NIPPLE	1
1110	0C27100363	GASKET, FLANGE	1
1120	0C27100364	BOLT M8 X 22	2
1130	0C27100365	RING, SEAL	2
1140	0C27100366	SCREW, HOLLOW M12 X 1.5	1
1150	0C27100367	PIPE, OIL	1
1160	0C27100118	UNION, HOLLOW	1
1170	0C27100368	RING, SEAL	2
1180	0C27100369	ADAPTER	1
1190	0C27100370	UNIT, PRESSURE GAUGE	1
1200	0C27100371	GASKET, FLANGE	1
1210	0C27100159	BOLT M8 X 25	2
1220	0C27100372	PIPE, OIL	1
1230	0C27100373	HOSE, RUBBER	1
1240	0C27100374	HOSE CLAMP	2
1250	0C27100375	PIPE, OIL	1
1260	0C27100376	GASKET, OIL PIPE	1
1270	0C27100364	BOLT M8 X 22	2
2010	0C27100377	HOSE, RUBBER	1
2020	0C27100378	HOSE CLAMP	2
2030	0C27100379	INLET PIPE	1
2040	0C27100339	HOSE, RUBBER	1
2050	0C27100340	HOSE CLAMP	2

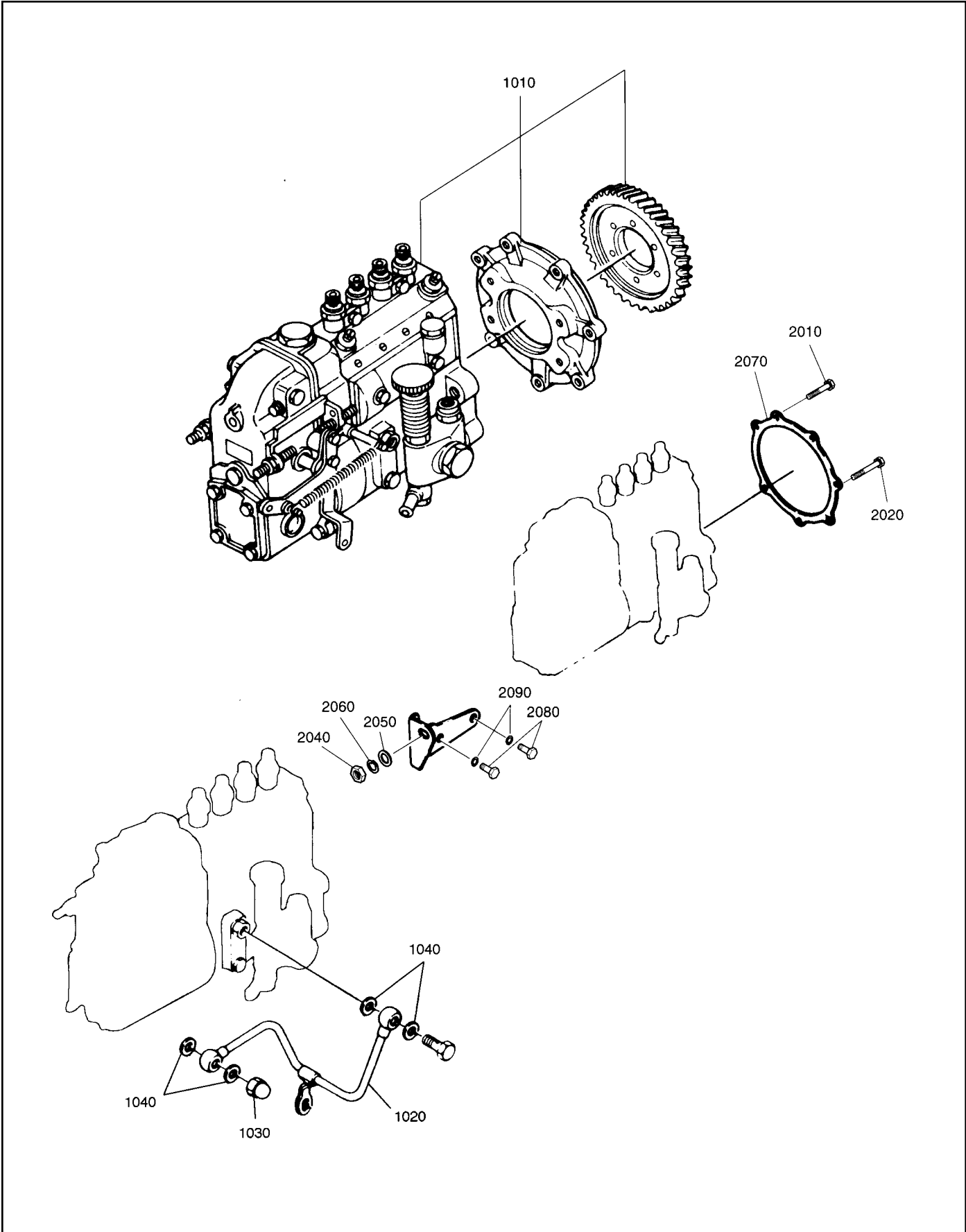
3.3L DIESEL NOZZLE AND FUEL INJECTION PIPE



3.3L DIESEL NOZZLE AND FUEL INJECTION PIPE

ITEM	PART NUMBER	DESCRIPTION	QTY
1020	0C27100380	NOZZLE	4
1030	0C27100381	HOLDER ASSEMBLY	4
1040	0C27100382	RING, SEAL	8
1050	0C27100383	RING, SEAL	4
1060	0C27100384	O-RING	4
1070	0C27100262	NUT, HEX M8	8
1080	0C27100331	WASHER, SPRING A8	8
2030	0C27100385	INJECTION PIPE ASSEMBLY NO. 1	1
2031	0C27100386	INJECTION PIPE ASSEMBLY NO. 2	1
2032	0C27100387	CLIP ASSEMBLY	1
2110	0C27100388	INJECTION PIPE ASSEMBLY NO. 3	1
2130	0C27100389	INJECTION PIPE ASSEMBLY NO. 4	1
2150	0C27100387	CLIP ASSEMBLY	2

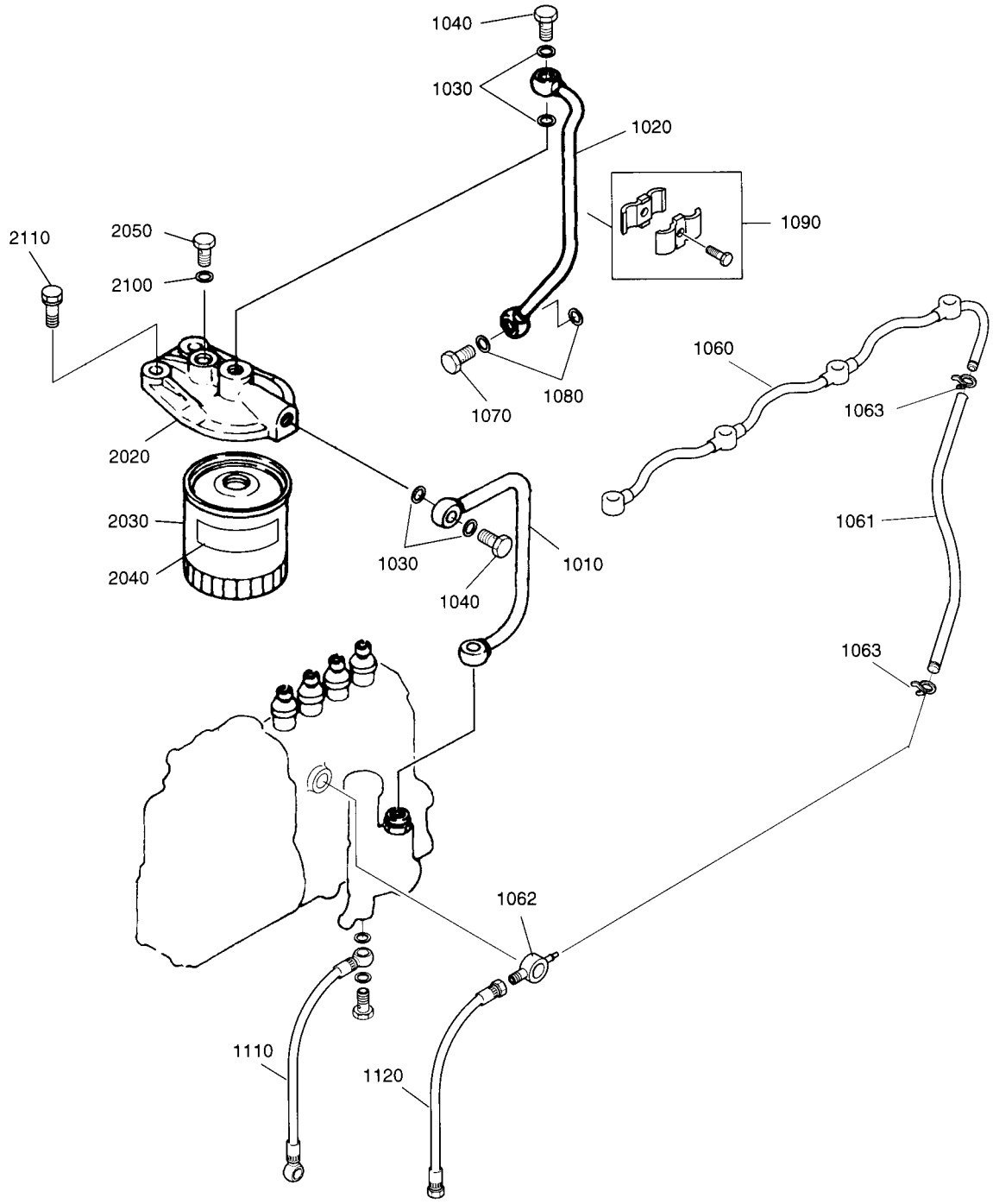
3.3L DIESEL FUEL INJECTION PUMP



3.3L DIESEL FUEL INJECTION PUMP

ITEM	PART NUMBER	DESCRIPTION	QTY
1010	0C27100390	INJECTION PUMP	1
1020	0C27100391	PIPE, OIL	1
1030	0C27100392	NUT, CAP	1
1040	0C27100368	RING, SEAL	4
2010	0C27100160	BOLT M8 X 55	2
2020	0C27100393	BOLT M8 X 75	5
2030	0C27100394	BRACKET, INJECTION PUMP MOUNT	1
2040	0C27100347	NUT M10 X 1.25	1
2050	0C27100395	WASHER, PLAIN	1
2060	0C27100323	WASHER, SPRING	1
2070	0C27100396	GASKET, INJECTION PUMP MOUNT	1
2080	0C27100397	BOLT, HEX	2
2090	0C27100323	WASHER, SPRING	2

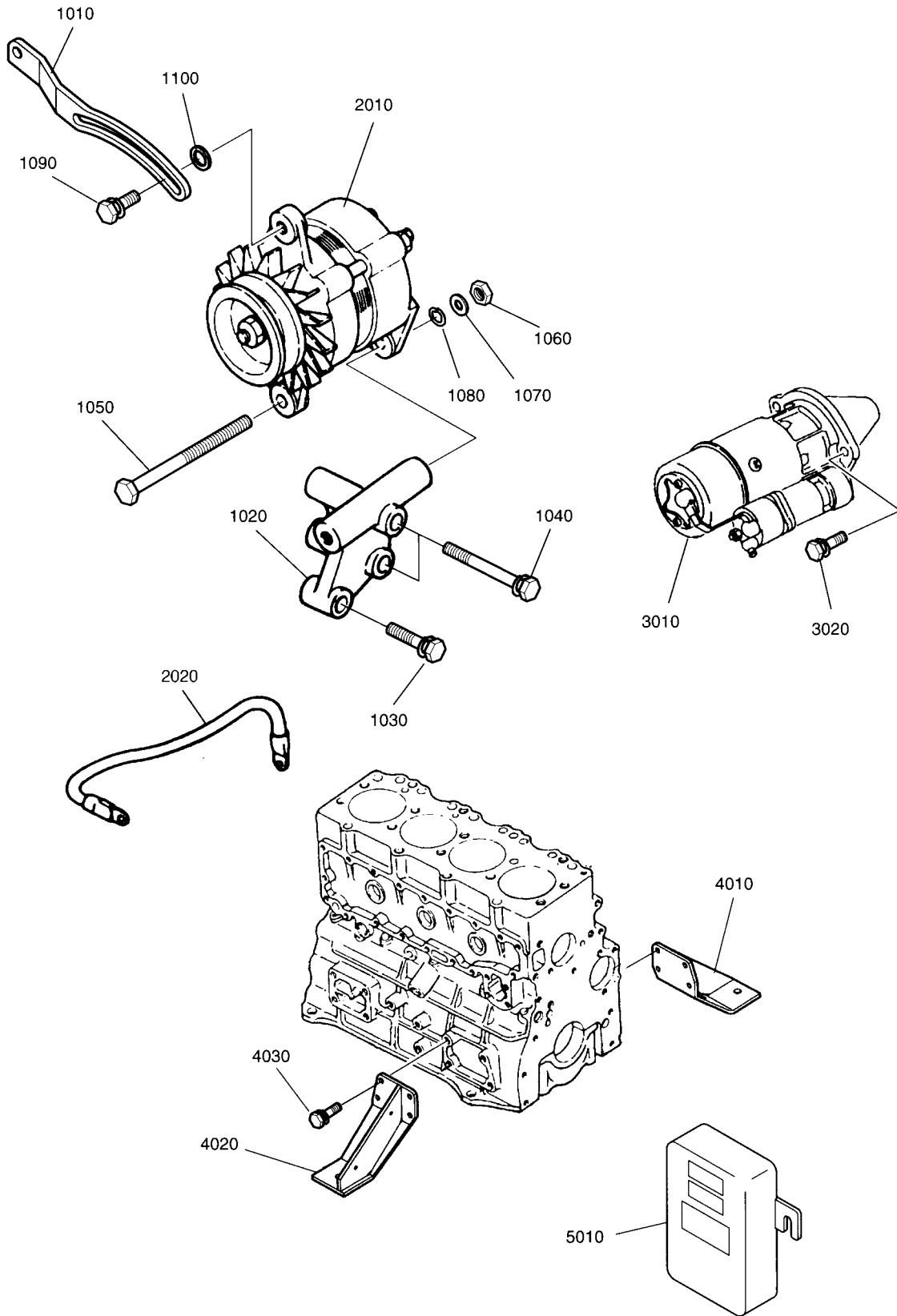
3.3L DIESEL FUEL FILTER



3.3L DIESEL FUEL FILTER

ITEM	PART NUMBER	DESCRIPTION	QTY
1010	0C27100398	PIPE, FUEL	1
1020	0C27100399	PIPE, FUEL	1
1030	0C27100400	RING, SEAL	4
1040	0C27100401	SCREW, HOLLOW	2
1060	0C27100402	PIPE, FUEL	1
1061	0C27100403	HOSE, RUBBER	1
1062	0C27100404	UNION, DOUBLE BANJO	1
1063	0C27100405	CLIP	2
1070	0C27100406	SCREW, HOLLOW	1
1080	0C27100382	RING, SEAL	2
1090	0C27100407	CLIP, PIPE	1
1110	0C27100408	HOSE, FLEXIBLE	1
1120	0C27100409	HOSE, FLEXIBLE	1
2020	0C27100410	COVER, FUEL FILTER	1
2030	0C27100411	CARTRIDGE, FUEL FILTER	1
2040	0C27100412	PLATE, CAUTION	1
2050	0C27100413	SCREW, PLUG M14 X 1.5	1
2100	0C27100119	RING, SEAL	1
2110	0C27100414	HEX BOLT M10 X 35	2

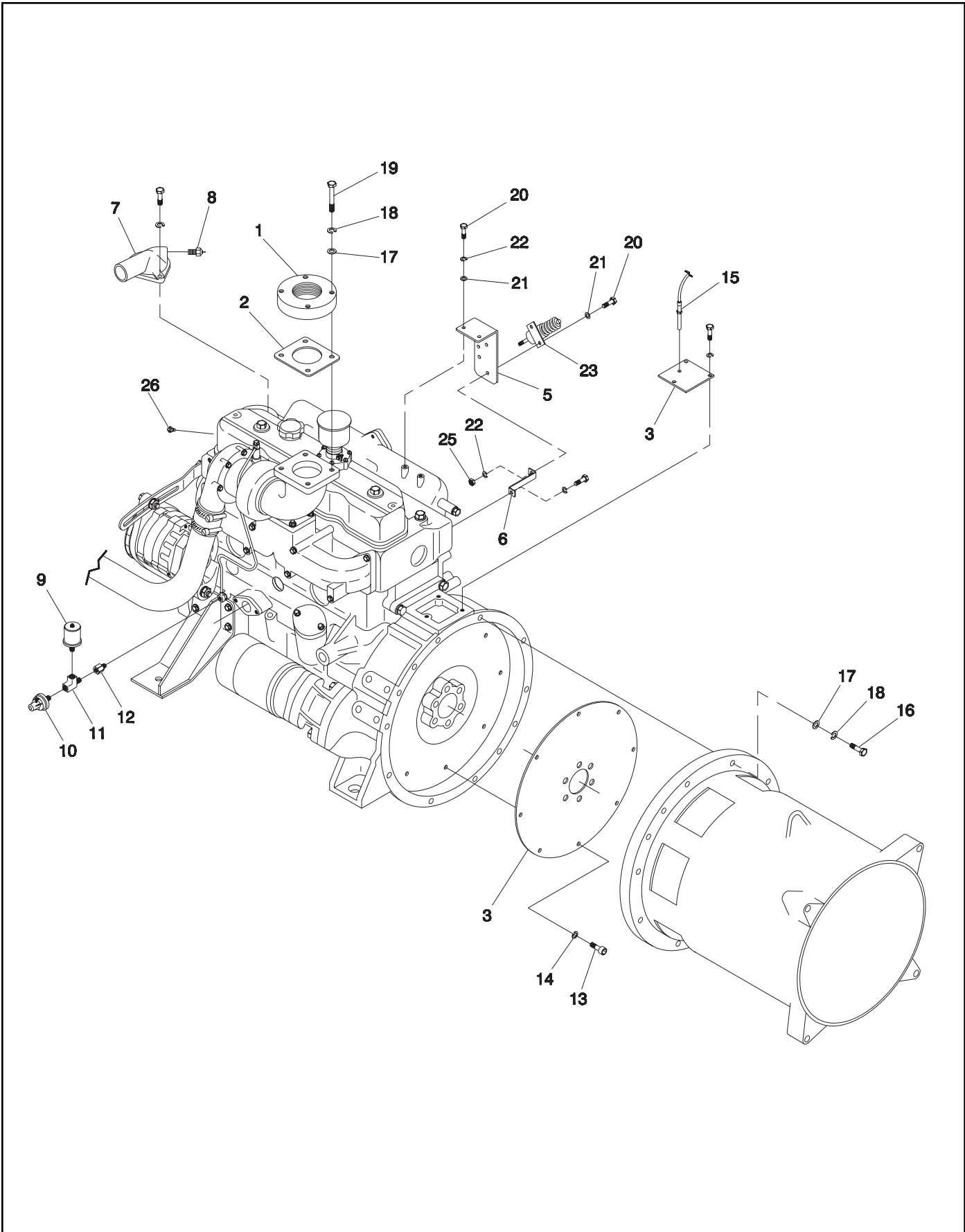
3.3L DIESEL ALTERNATOR AND STARTER



3.3L DIESEL ALTERNATOR AND STARTER

ITEM	PART NUMBER	DESCRIPTION	QTY
1010	0C27100415	SUPPORT, ALTERNATOR	1
1020	0C27100416	BRACKET, ALTERNATOR MOUNTING	1
1030	0C27100417	BOLT M10 X 1.25 X 25	1
1040	0C27100228	HEX BOLT M10 X 35	2
1050	0C27100418	BOLT, HEX	1
1060	0C27100419	NUT, HEX M12 X 1.5	1
1070	0C27100420	WASHER, SPRING	1
1080	0C27100234	WASHER, PLAIN	1
1090	0C27100414	HEX BOLT M10 X 35	1
1100	0C27100323	WASHER, SPRING	1
2010	0C27100421	ALTERNATOR	1
2020	0C27100422	WIRE, JUMPER	1
3010	0C27100423	STARTER	1
3020	0C27100424	BOLT M12 X 35	3
4010	0C27100425	BRACKET, FRONT MOUNTING	1
4020	0C27100426	BRACKET, FRONT MOUNTING	1
4030	0C27100427	BOLT M10 X 1.25 X 25	8
5010	0C27100428	TIMER	1

3.3L DIESEL ENGINE COMMON PARTS

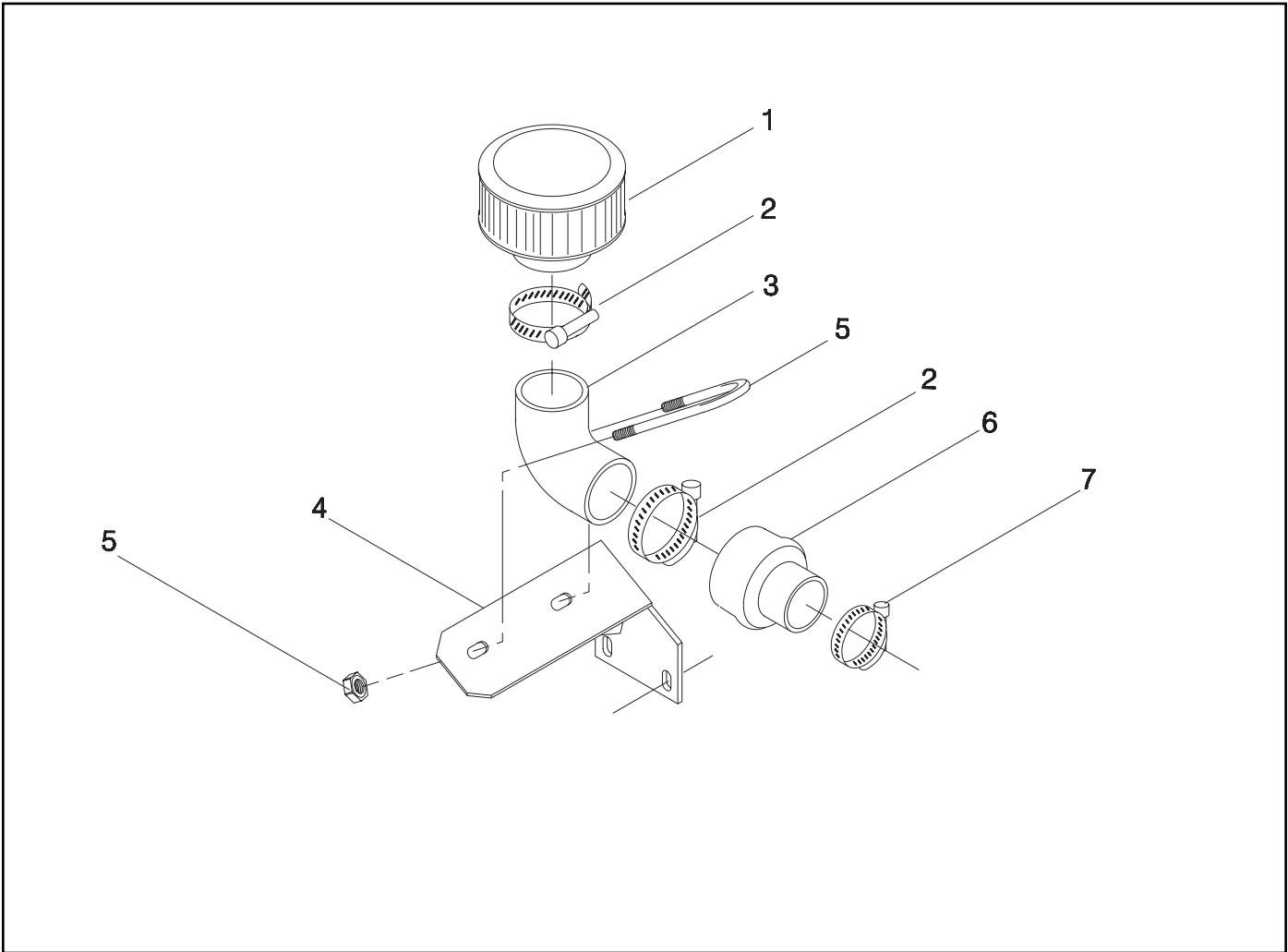


3.3L DIESEL ENGINE COMMON PARTS

ITEM	PART NUMBER	DESCRIPTION	QTY
1	A2442	EXHAUST ADAPTER	1
2	C4886	GASKET, EXHAUST	1
3	C3930	MAGNETIC PICKUP PLATE	1
*	C4563	RPM SENSOR PLATE	1
4	20604	FLEX PLATE 11-1/2" SAE	2
5	C2289	SOLENOID BRACKET	1
6	C2746	SOLENOID SUPPORT BRACKET	1
7	C4731A	THERMOSTAT HOUSING, MACHINED	1
8	57522	WATER LEVEL SENSOR	1
9	A8584	OIL LEVEL SWITCH	1
10	53666	OIL TEMPERATURE SWITCH	1
11	52233	TEE 1/8" NPT BRASS	1
12	42574	ADAPTER, 1/8" NPT-1/8"-28 BSP	1
13	52647	SHCS M10-1.5 X 25 LONG	8
14	46526	LOCK WASHER M10	8
15	82130A	RPM SENSOR	1
*	82130G	RPM SENSOR	1
16	57642	HHCS M10-1.5 X 40 LONG	12
17	22131	FLAT WASHER M10-3/8"	16
18	46526	LOCK WASHER M10	16
19	57645	HHCS M10-1.5 X 50 LONG	4
20	47411	HHCS M6-1.0 X 16 LONG	4
21	22473	FLAT WASHER 1/4"-M6	6
22	22097	LOCK WASHER 1/4"-M6	4
23	A2334	SOLENOID	1
25	49813	HEX NUT 1/4"-20	2
26	A6751	WATER TEMPERATURE SWITCH 245 DEG. 3/8" NPT	1

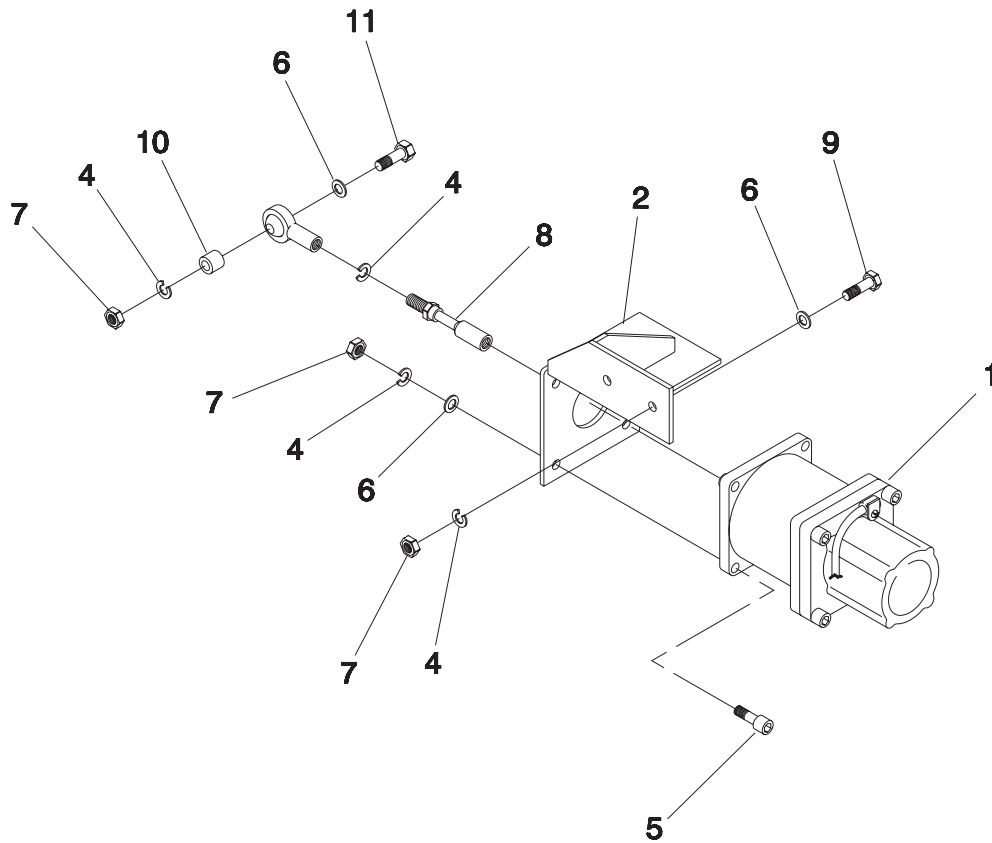
* REQUIRED FOR ELECTRONIC GOVERNOR ONLY.

3.3L DIESEL AIR CLEANER



ITEM	PART NUMBER	DESCRIPTION	QTY
1	C2725	AIR CLEANER	1
2	57648	HOSE CLAMP #64	2
3	C2706	INTAKE TUBE	1
4	C2849	AIR CLEANER BRACKET	1
5	83468	4.0" MUFFLER CLAMP	1
6	72448	HUMP REDUCER 4"-2-3/4"	1
7	42561	HOSE CLAMP #36	1

3.3L DIESEL ELECTRONIC GOVERNOR



ITEM	PART NUMBER	DESCRIPTION	QTY
1	79944	ACTUATOR, LINEAR	1
2	C4510	BRACKET, ELECTRONIC GOVERNOR	1
3	51145	ROD END, BALL JOINT	1
4	22097	LOCK WASHER 1/4"-M6	7
5	40945	SOCKET HD. CAPSCREW M6-1.0 X 20MM	4
6	49811	FLAT WASHER M6	7
7	49813	HEX NUT M6-1.0	7
8	82507	STRAIGHT TYPE SWIVEL, 1/4"-28	1
9	42568	HHCS M6-1.0 X 20MM	2
10	C4971	SPACER .28-.62-.50	1
11	49721	HHCS M6-1.0 X 35MM	1

Ultimate Service Dealers (USD's)

A/C Energy (IL, WI, IN)

3320 Louise Ave
Steger, IL 60475
Parts: 800-800-0822
Ph: 708-758-2007
Fx: 708-758-2031

AAA Generator & Pump, Inc.

2546 Franklin St.
Ft. Myers, FL 33901
Parts: 800-441-0906
Ph: 941-332-1136
Fx: 941-332-8655

ARRCO Company Services, Inc.

9918 S. Perdue Ave.
Baton Rouge, LA 70814
Parts: 877-706-2722
Ph: 225-275-2722
Fx: 225-275-1198

Billiou's, Inc.

(CA, NV, UT, CO, AZ, ID, OR, WA, AK, HI)
1343 S. Main St.
Porterville, CA 93257
Parts: 800-245-5468 (dlr)
877-245-5468 (end users)
Ph: 559-784-4102
Fx: 559-781-1875

Clifford Power Systems

(KS, OK, AR, MO, TX no. of I-20)
9310 E. 46th St., No.
Tulsa, OK 74117
Parts: 800-324-0066
Ph: 918-836-0066
Fx: 918-836-0094

Clifford Power Systems

101 Industrial Blvd.
Mansfield, TX 76063
Parts: 800-886-9203
Ph: 817-640-5544
Fx: 817-453-0219

Dixie Sales Company, Inc.

P. O. Box 1408
Greensboro, NC 27402-1408
Parts: 800-753-4943
Ph: 336-375-7500
Fx: 800-535-2862 or 336-621-3555

EGN Distributing

(AL, FL - Panhandle)
2805 6th Ave., So.
Birmingham, AL 35233
Parts: 800-824-0139
Ph: 205-581-1335
Fx: 205-581-1337

Energy Systems, Inc.

(CA, NV, UT)
2619 Lycoming St. #100
Stockton, CA 95206
Parts: 800-250-8085
Ph: 209-983-6900
Fx: 209-983-8919

Frontier Equipment, Ltd.

8029 River Way
Delta, BC Canada V4G 1G9
Parts: 877-946-5531
Ph: 604-946-5531
Fx: 604-946-8524

Hunter & Lomison

(PA, NY - west of I-81)
1956 W. Fourth St.
Williamsport, PA 17701
Parts: 800-922-9540
Ph: 570-326-1764
Fx: 570-326-5042

Huntington Power Co.

(ME, VT, NH, Ea. NY, MA, CT, RI, NJ)
8 Algonkin Rd.
Shelton, CT 06484
Parts: 800-473-1408
So. Windsor: 860-289-8790
Ph: 203-929-3203
Fx: 800-473-7817

Indiana Power & Supply

(KY, OH, IN)
1415 Country Club Rd.
Indianapolis, IN 46234
Parts: 800-229-1672
Ph: 317-271-1672
Fx: 317-271-1673

Kelly Gen. & Equip.

(VA, WV, MD, DE)
8421 Westphalia Rd.
Upper Marlboro, MD 20774
Parts: 800-677-3815
Ph: 301-420-3983
Fx: 301-735-4563

M & I Generator Power Systems

292 E. Mallory
Memphis, TN 38109
Parts: 800-336-0779
Ph: 901-775-1204
Fx: 901-775-3952

Marr Brothers

(TX, NM, OK, AR, LA, MS)
423 E. Jefferson
Dallas, TX 75209
Parts: 800-627-7276
Ph: 214-948-7387
Fx: 800-967-1259

National Generator Service

(NC, SC, GA, TN)
7715 Park Place Rd.
York, SC 29745
Parts: 800-843-9103
Ph: 803-684-0085
Fx: 803-684-1228

Nickel Equipment

1006 S. Division Ave.
Grand Rapids, MI 49507-1022
Parts: 800-638-2440
Ph: 616-241-2448
Fx: 616-241-4095

Piedmont Power Products

5909 Harold Meadow Rd.
Julian, NC 27283
Parts: 800-861-8622
Ph: 336-685-4100
Fx: 336-685-9007

R. B. Grove

(FL, except Panhandle)
261 SW 6th Street
Miami, FL 33130
Parts: 800-281-7545
Ph: 305-854-5420
Fx: 305-854-0532

Rocky Mountain

6301 N. Broadway
Denver, CO 80216
Parts: 800-337-8480
Ph: 303-428-2517
Fax: 303-428-6785

Southwest Products Supply

5143 W. Roosevelt
Phoenix, AZ 85043
Parts: 800-858-0033
Ph: 602-269-3581
Fx: 602-269-8448

T.W. Enterprises

(MT, WY, ID)
2059 N. 9th Rd.
Worden, MT 59088
Parts: 800-955-3795
Ph: 406-245-4600
Fx: 406-245-4333

Total Power

5080 Timberlea Blvd., #25
Mississauga, Ontario
Canada, L4W 4M2
Parts: 888-870-9152
Ph: 905-238-1529
Fx: 905-238-1533

Wolverine Power

11598 E. Lakewood Blvd.
Holland, MI 49424-8619
Parts: 800-485-8068
Ph: 616-820-0503
Fx: 616-820-0506

Zabatt, Inc.

(FL, So. American, PR & Caribbean)
4612 Highway Ave.
Jacksonville, FL 32254
Parts: 800-366-1323
Ph: 904-384-4505
Fx: 904-384-6478

