

PB40000D

GENERAC®
One-Stop Service

4.0

**DIESEL
ENGINE**

**PARTS
MANUAL**

P.O. BOX 8 WAUKESHA WI. 53187

PHONE: (414) 544-4811 / FAX: (414) 544-0179

PRINTED IN U.S.A.

RELEASED: 11/97

READ THIS FIRST

NOTICE!!

THIS MANUAL CAN BE USED TO IDENTIFY PARTS FOR 4.0 LITER ENGINES WITH A PART NUMBER 85677. FOR OLDER 4.0 LITER ENGINES (PART NUMBER 64238) REFER TO PUBLICATION #68063. THIS MANUAL CAN BE ORDERED THROUGH GENERAC. TO IDENTIFY THE ENGINE PART NUMBER, REFER TO THE OWNERS MANUAL FOR THE UNIT BEING SERVICED, OR CONTACT A GENERAC PARTS SPECIALIST. IDENTIFICATION OF THE ENGINE PART NUMBER WILL REQUIRE THE MODEL NUMBER FOR THE UNIT IN QUESTION.

4.0L DIESEL TABLE OF CONTENTS

SECTION	PAGE
Engine Service Recommendations	2
Quick Reference Guide	3
Partial Engine Assembly	4
Short Block Assembly	5
Cylinder Head Assembly	6
Cylinder Head Accessories	7
Cylinder Block Assembly	8
Cylinder Block Accessories	9
Timing Gear Housing and Flywheel Cover	10-11
Main Moving Parts	12-13
Camshaft and Idler Gear Assembly	14
Valves and Valve Rockers	15
Intake and Exhaust Manifolds	16
Lubricating System	17
Oil Cooler and Oil Filter	18
Fuel System	19-20
Fuel Filter	21
Nozzle and Holder Set	22
Water Separator	23
Cooling System	24
Coolant Pump	25
Electrical Parts	26-27
Engine Finish Parts	28
Air Cleaner, Naturally Aspirated Units	29
Turbocharger, 50 & 60 KW Units	30-31
Turbocharger, 75 KW Units	32-33
Turbocharger, GT85 & Grainger 85 Trailer Packages	34-35

LEGEND

AR = "AS REQUIRED" PER APPLICATION

O.S. = OVERSIZE

U.S. = UNDERSIZE

STD = STANDARD SIZE

4.0L DIESEL ENGINE SERVICE RECOMMENDATIONS

CAPACITIES

Crankcase oil: 2.77 U.S. Gallons
Cooling system: 16 U.S. Quarts

RECOMMENDED FLUIDS

ENGINE OIL: Use a high quality detergent oil classified "For Service CC, SD, SE OR SF". Detergent oils keep the engine cleaner and reduce carbon deposits. Use oil having the following viscosity rating, based on the ambient temperature range anticipated before the next oil change.

TEMPERATURE	OIL GRADE (RECOMMENDED)
ABOVE 80°F	15W-40
30° - 80°F	15W-40
BELOW 32°F	15W-40

RECOMMENDED COOLANT

Use a mixture of half low silicate, ethylene glycol base anti-freeze and half soft water. Cooling system capacity is about 16 U.S. quarts (17 liters). Use only soft water and only low silicate anti-freeze. If desired, add a high quality rust inhibitor to the recommended coolant mixture. When adding coolant, always add the recommended 50/50 mixture.

PERIODIC ENGINE MAINTENANCE SCHEDULE

AFTER FIRST 30 HOURS OF OPERATION

Change engine crankcase oil.

EVERY SIX MONTHS

Change engine oil and filter.
Lubricate engine controls.
Service engine air cleaner.
Service engine fuel filter.
Inspect AC generator.
Test engine safety controls.
Inspect fan belts.
Check engine coolant level.
Check engine cooling system hoses.

EVERY TWO YEARS

Replace all rubber hoses.
Replace engine fan belts.
Drain, flush and refill engine cooling system.

4.0L DIESEL QUICK REFERENCE GUIDE

ENGINE GASKETS

DESCRIPTION	GENERAC #	QTY
Cylinder Head Gasket	102-64238	1
Cylinder Head Cover Gasket	109-64238	1
Front End Plate Gasket	114-85677	1
Rear Main Seal	542-64238	1
Front Seal	555-64238	1
Exhaust Manifold Gasket	150-85677	4
Intake Manifold Gasket	152-85677	1
Oil Cooler Element Gasket	258-64238	2
Thermostat Gasket	352-64238	1

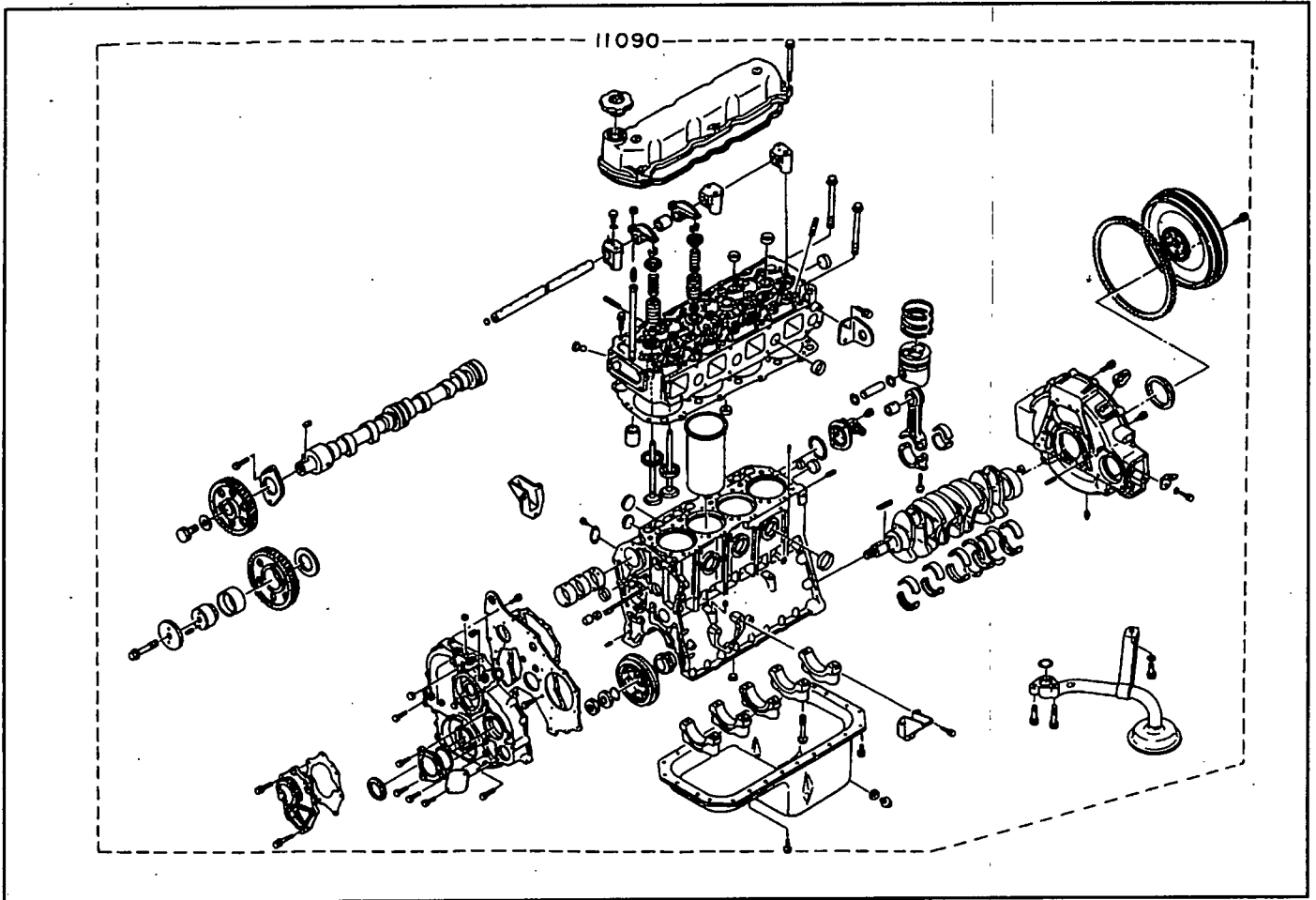
ENGINE PARTS

DESCRIPTION	PART #
Oil Filter	524-64238
Fuel Filter	102-71696
Water Separator Body	340-64238
Thermostat	200-85677
V-Belt	418-64238
Alternator	694-59089
Starter	209-85677
Piston, STD	136-85677
Ring Set, Piston Std	130-85677
Piston Pin	137-85677
Piston Pin Retainers	142-85677
Conrod Bearing, STD	131-85677
Crankshaft Main Bearing Set, STD	159-64238
Crankshaft Thrust Washer, STD	157-64238

TORQUE SPECS

Cylinder Head Bolt (12mm)	87-94 ft-lbs
Cylinder Head Bolt (10mm)	33-36 ft-lbs
Main Bearing Cap Bolt	102-115 ft-lbs
Connecting Rod Cap Bolt	84-97 ft-lbs
Crankshaft Nut	348-412 ft-lbs
Camshaft Gear Nut	80-94 ft-lbs
Camshaft Thrust Plate Bolt	14-18 ft-lbs
Oil Strainer Fitting Bolt	14-18 ft-lbs
Idler Gear Thrust Plate Bolt	80-94 ft-lbs
Flywheel to Cranshaft	131-144 ft-lbs
Flywheel Housing Bolt (14mm)	73-94 ft-lbs
Flywheel Housing Bolt (8mm)	14-18 ft-lbs
Oil Pan Bolt	14-18 ft-lbs
Manifold to Cylinder Head (Intake)	14-18 ft-lbs
Manifold to Cylinder Head (Exhaust)	33-36 ft-lbs
Rocker Arm Support Bolt	14-18 ft-lbs
Injection Nozzle Holder Adaptor	10-13 ft-lbs
Coolant Pump Bolt	14-18 ft-lbs
Oil Cooler Fitting Bolt	14-18 ft-lbs
Timing Gear Plate	14-18 ft-lbs
Timing Gear Case	14-18 ft-lbs
Injection Pump Fitting Bolt	14-18 ft-lbs
Starter Fitting Bolt	80-108 ft-lbs
Oil Pump to Cylinder Block	15-18 ft-lbs
Coolant Pump Pulley Nut	94-108 ft-lbs

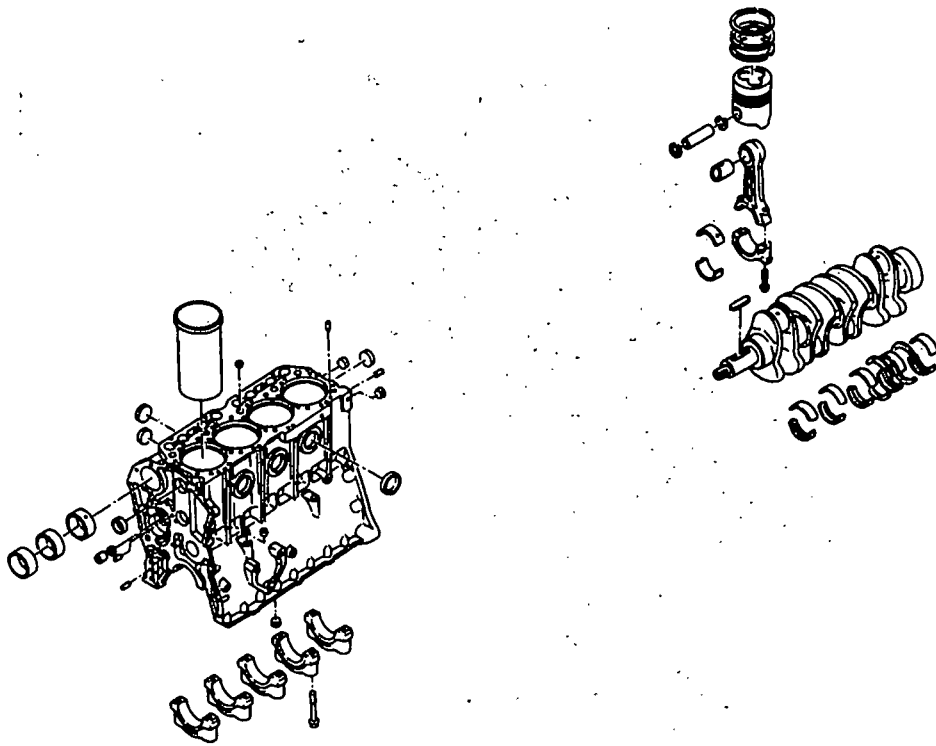
4.0L DIESEL PARTIAL ENGINE ASSEMBLY



ITEM	PART NO.	DESCRIPTION	QTY
11090	ENG-85677	Engine Assembly, Partial	1

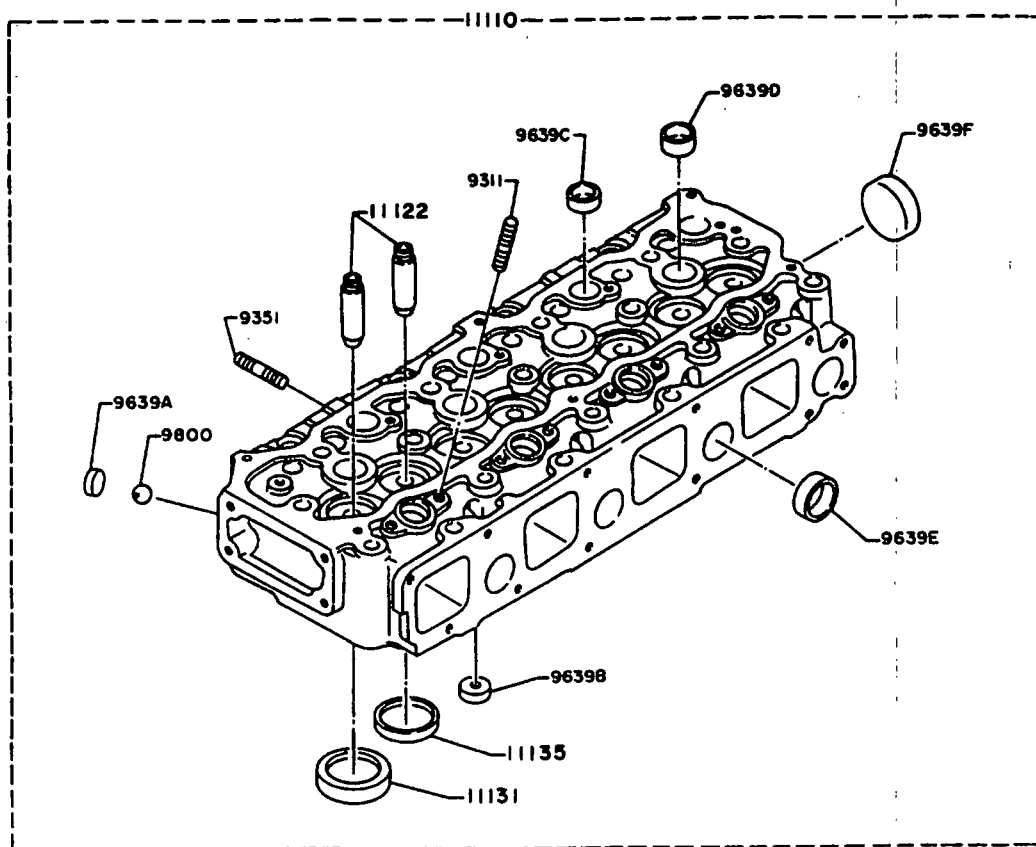
4.0L DIESEL SHORT BLOCK ASSEMBLY

11400



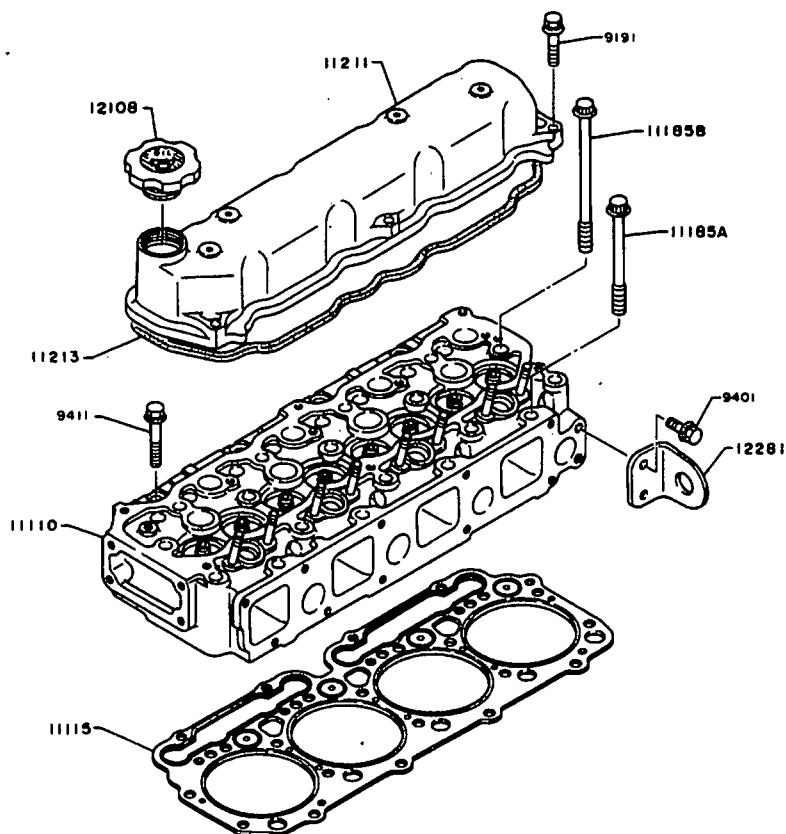
ITEM	PART NO.	DESCRIPTION	QTY
11400	BLK-85677	Block Assembly, Short	1

4.0L DIESEL CYLINDER HEAD ASSEMBLY



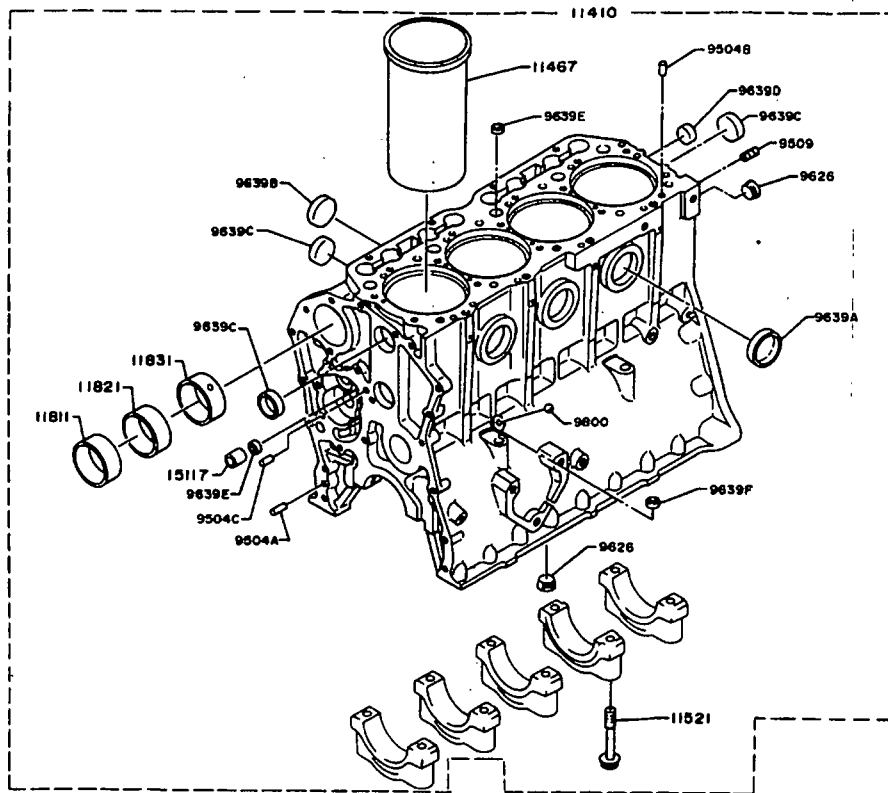
ITEM	PART NO.	DESCRIPTION	QTY
11110	101-85677	Head Assembly, Cylinder	1
11122	103-64238	Bushing, Valve Guide, Intake, Repair, STD	8
11131	104-64238	Seat, Valve, Intake	4
11135	105-64238	Seat, Valve, Exhaust	4
9311	114-64238	Stud	8
9351	115-64238	Stud	8
9639A	151-64238	Plug, Expansion	4
9639B	119-64238	Plug, Expansion	4
9639C	149-64238	Plug, Expansion	4
9639D	121-64238	Plug, Expansion	4
9639E	122-64238	Plug, Expansion	4
9639F	146-64238	Plug, Expansion	1
9800	124-64238	Ball, Steel	4

4.0L DIESEL CYLINDER HEAD ACCESSORIES



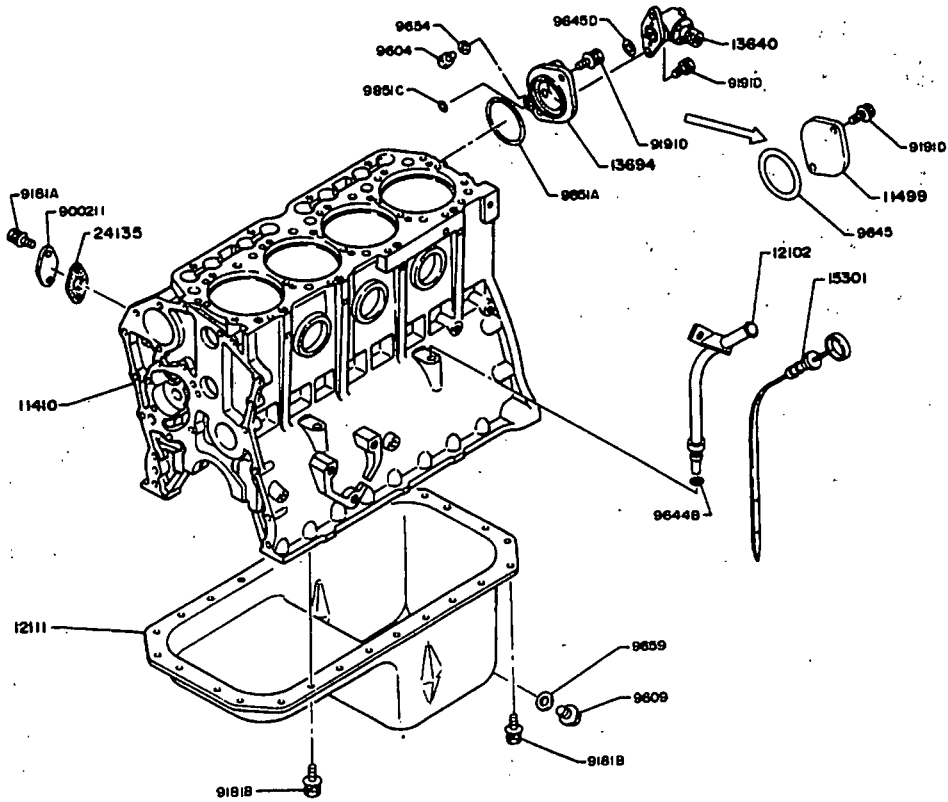
ITEM	PART NO.	DESCRIPTION	QTY
11110	101-85677	Head Assembly, Cylinder	1
11115	102-64238	Gasket, Cylinder Head	1
11185A	106-64238	Bolt, Cylinder Head	13
11185B	107-64238	Bolt, Cylinder Head	5
11211	108-64238	Cover, Cylinder Head	1
11213	109-64238	Gasket, Cylinder Head Cover	1
12108	102-85677	Cap Sub Assembly, Oil Filler	1
12281	111-64238	Hanger, Engine	1
9191	124-55495	Bolt	6
9401	116-64238	Bolt	2
9411	117-64238	Bolt	4

4.0L DIESEL CYLINDER BLOCK ASSEMBLY



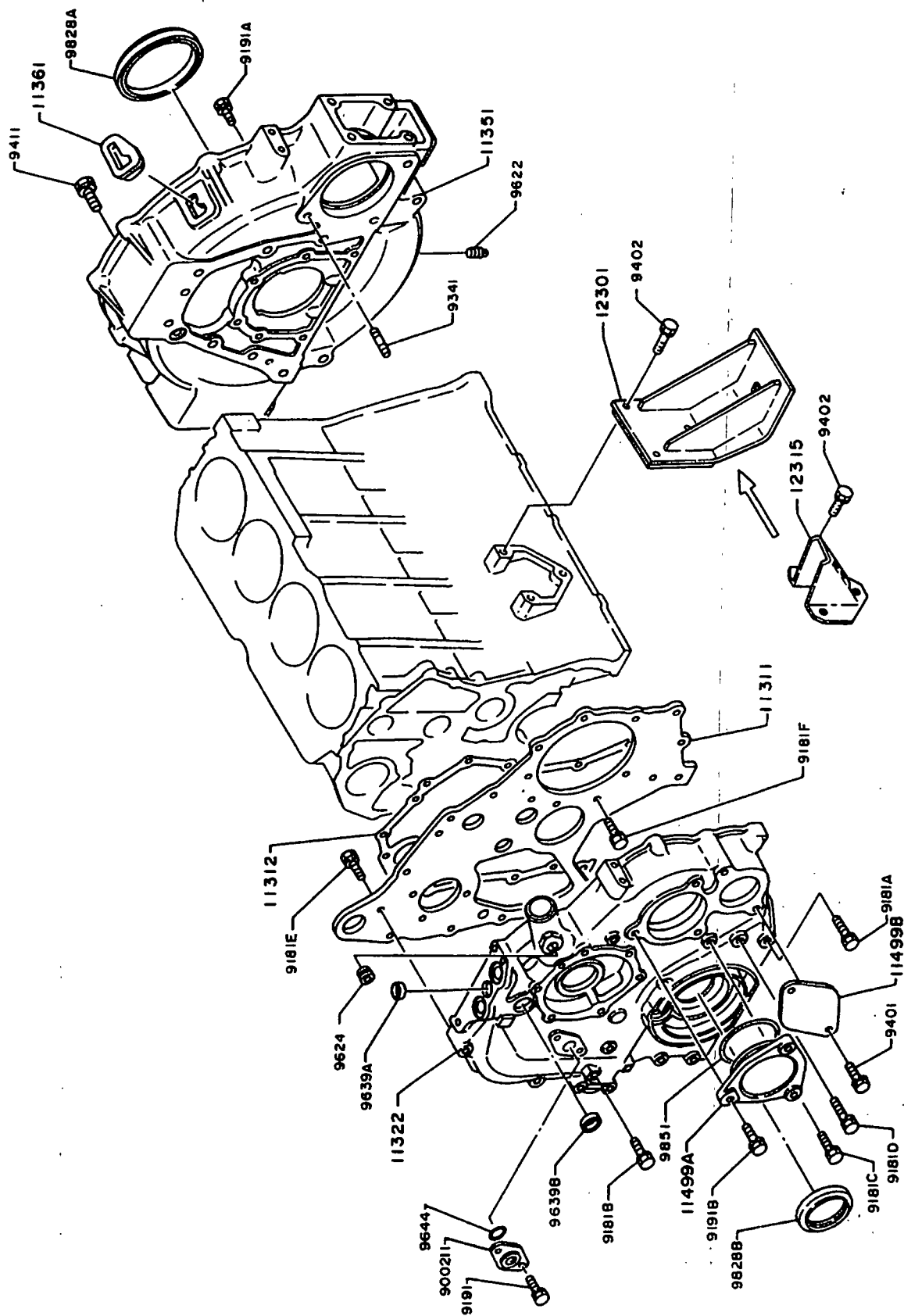
ITEM	PART NO.	DESCRIPTION	QTY
11410	100-85677	Block Assembly, Cylinder	1
11467	103-85677	Liner, Cylinder, S/S W	4
	104-85677	Liner, Cylinder, S/S X	4
	105-85677	Liner, Cylinder, S/S Y	4
	106-85677	Liner, Cylinder, S/S Z	4
11521	127-64238	Bolt, Bearing Cap	10
11811	128-64238	Bearing, Camshaft NO. 1	1
11821	129-64238	Bearing, Camshaft NO. 2	1
11831	130-64238	Bearing, Camshaft NO. 3	1
15117	134-64238	Bushing, Body, Oil Pump	1
9504A	139-64238	Pin, Straight	2
9504B	140-64238	Pin, Straight	2
9504C	141-64238	Pin, Straight	1
9509	142-64238	Pin	2
9626	145-64238	Plug	2
9639A	146-64238	Plug, Expansion	3
9639B	147-64238	Plug, Expansion	3
9639C	148-64238	Plug, Expansion	5
9639D	149-64238	Plug, Expansion	1
9639E	150-64238	Plug, Expansion	5
9639F	151-64238	Plug, Expansion	1
9800	112-85677	Ball, Steel	2

4.0L DIESEL CYLINDER BLOCK ACCESSORIES



ITEM	PART NO.	DESCRIPTION	QTY
11410	100-85677	Block Assembly, Cylinder	1
11499	107-85677	Seal, Plate	1
12102	131-64238	Guide Sub Assembly, Level Guage	1
12111	132-64238	Pan, Oil	1
13640	534-64238	Drive Assembly, Tach	1
13694	108-85677	Adaptor Tach Drive	1
15301	135-64238	Gage Sub Assembly, Oil Level	1
24135	109-85677	Gasket, Oil Outlet	1
90211	136-64238	Flange	1
9181A	138-64238	Bolt	2
9181B	137-64238	Bolt	26
9191D	110-85677	Bolt	2
9604	143-64238	Plug	1
9609	144-64238	Plug	1
9644B	111-85677	O-ring	1
9645	129-86815	O-ring	1
9645D	253-59089	O-ring	1
9654	434-64238	Washer, Soft	1
9659	130-84761	Washer, Soft	1
9851A	154-64238	O-ring	1
9851C	436-64238	O-ring	1

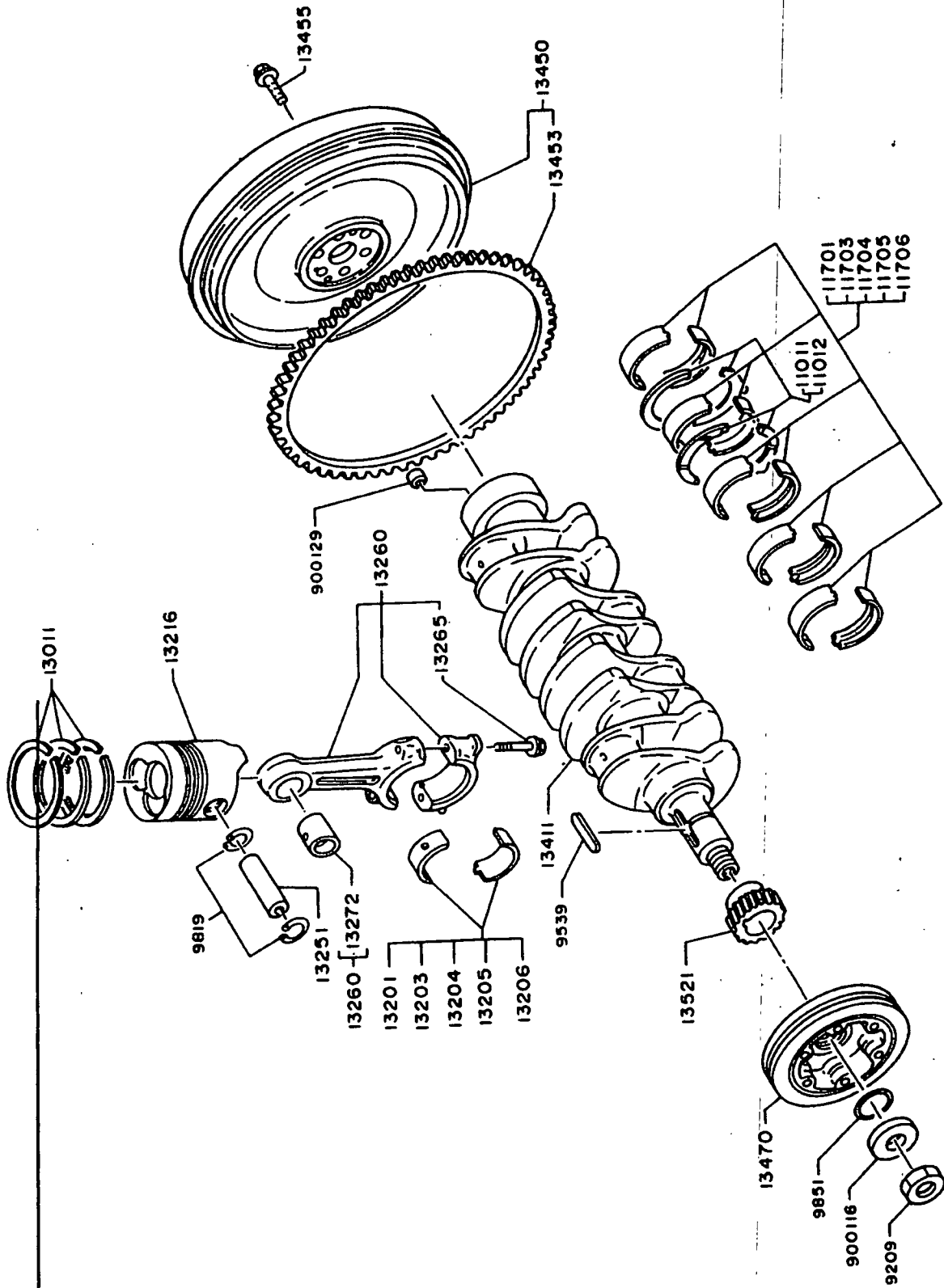
4.0L DIESEL TIMING GEAR HOUSING AND FLYWHEEL COVER



4.0L DIESEL TIMING GEAR HOUSING AND FLYWHEEL COVER

ITEM	PART NO.	DESCRIPTION	QTY
11311	113-85677	Plate, Front End	1
11312	114-85677	Gasket, Front End Plate	1
11322	115-85677	Cover, T/G Case	1
11351	116-85677	Housing, Flywheel	1
11361	117-85677	Cover, F/H Dust	1
11499A	118-85677	Seal, Plate	1
11499B	119-85677	Seal, Plate	1
12301	120-85677	Bracket Sub Assembly, Eng Mt Front	2
12315	121-85677	Bracket, Eng Mt Front	2
900211	223-59089	Flange	1
9181A	122-85677	Bolt	5
9181B	357-64238	Bolt	3
9181C	123-85677	Bolt	2
9181D	124-85677	Bolt	1
9181E	138-64238	Bolt	4
9181F	137-64238	Bolt	4
9191	370-55495	Bolt	2
9191A	124-55495	Bolt	6
9191B	180-08252	Bolt	3
9341	125-85677	Stud	1
9401	116-64238	Bolt	2
9402	126-85677	Bolt W/ Washer	6
9411	127-85677	Bolt	8
9622	228-55495	Plug	1
9624	128-85677	Plug	1
9639A	125-76815	Plug, Expansion	1
9639B	150-59089	Plug, Expansion	1
9644	142-84761	O-ring	1
9828A	542-64238	Seal, Oil	1
9828B	555-64238	Seal, Oil	1
9851	129-85677	O-ring	1

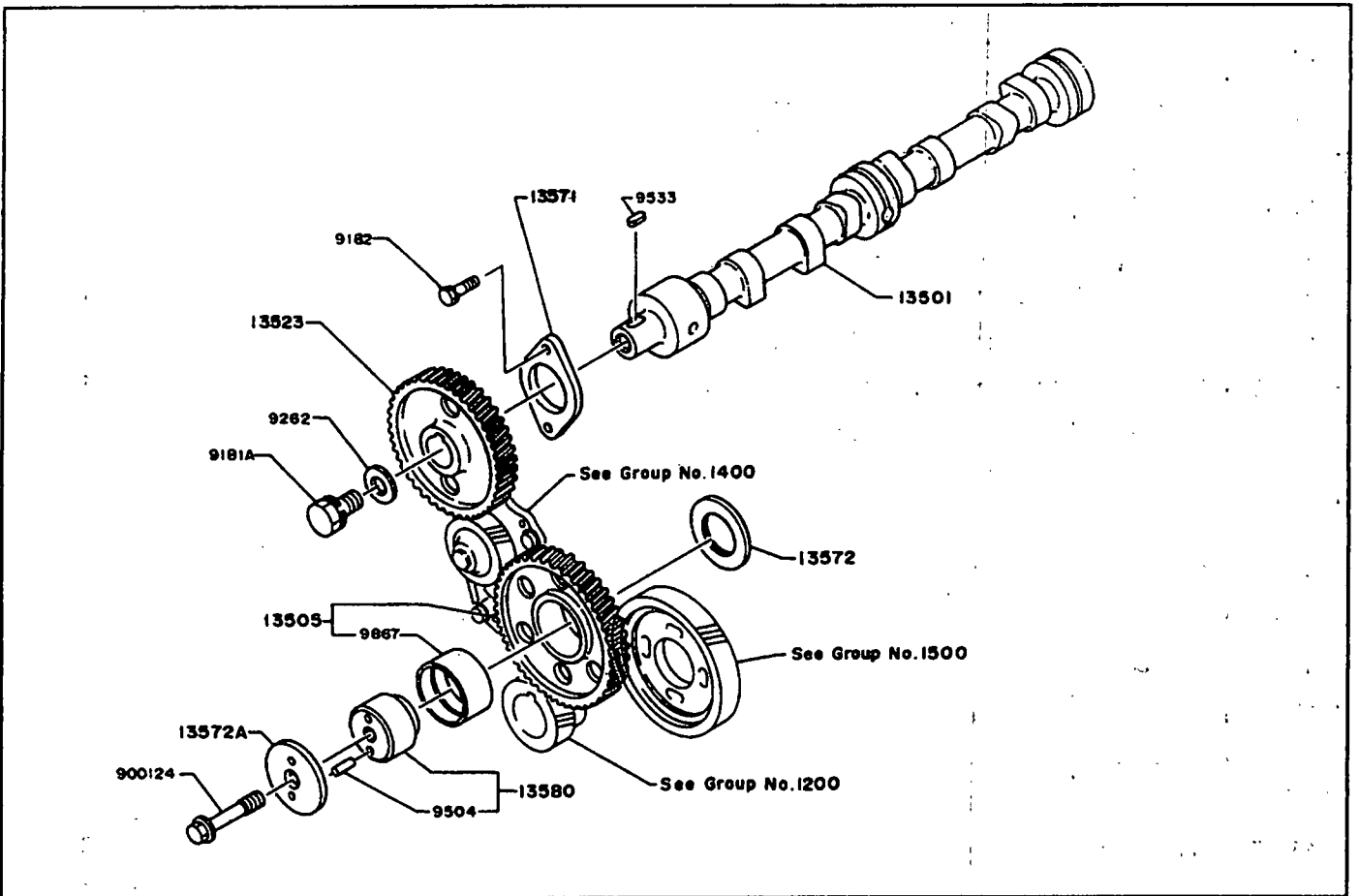
4.0L DIESEL MAIN MOVING PARTS



4.0L DIESEL MAIN MOVING PARTS

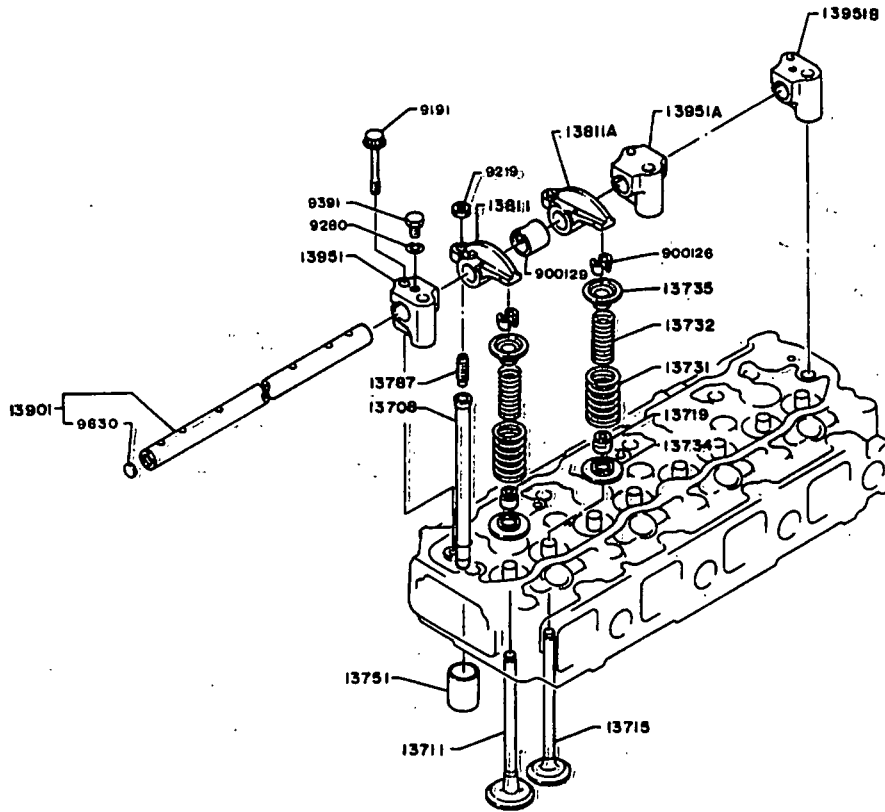
ITEM	PART NO.	DESCRIPTION	QTY
11011	157-64238	Washer Set, Crankshaft Thrust, STD	1
11012	158-64238	Washer Set, Crankshaft Thrust, O/S, 0.25	1
11701	159-64238	Bearing Set, Crankshaft, STD	1
11703	160-64238	Bearing Set, Crankshaft, U/S, 0.25	1
11704	161-64238	Bearing Set, Crankshaft, U/S, 0.50	1
11705	162-64238	Bearing Set, Crankshaft, U/S, 0.75	1
11706	163-64238	Bearing Set, Crankshaft, U/S, 1.00	1
13011	130-85677	Ring Set, Piston, STD	1
13201	131-85677	Bearing Set, Conrod, STD	1
13203	132-85677	Bearing Set, Conrod, U/S 0.25	1
13204	133-85677	Bearing Set, Conrod, U/S 0.50	1
13205	134-85677	Bearing Set, Conrod, U/S 0.75	1
13206	135-85677	Bearing Set, Conrod, U/S 1.00	1
13216	136-85677	Piston, STD	4
13251	137-85677	Pin, Piston, STD	4
13260	138-85677	Rod Assembly, Connecting	4
13265	139-85677	Bolt, Conrod	8
13272	140-85677	Bushing, Conrod Repair, STD	4
13411	141-85677	Crankshaft	1
13450	176-64238	Flywheel Assembly	1
13453	177-64238	Gear, Flywheel, Ring	1
13455	178-64238	Bolt, Flywheel	6
13470	179-64238	Pulley Assembly, Cranshaft	1
13521	180-64238	Gear, Crankshaft	1
900116	181-64238	Spacer	1
900129	182-64238	Collar	1
9209	183-64238	Nut	1
9539	184-64238	Key	1
9819	142-85677	Ring, Retainer	8
9851	186-64238	O-ring	1

4.0L DIESEL CAMSHAFT AND IDLER GEAR ASSEMBLY



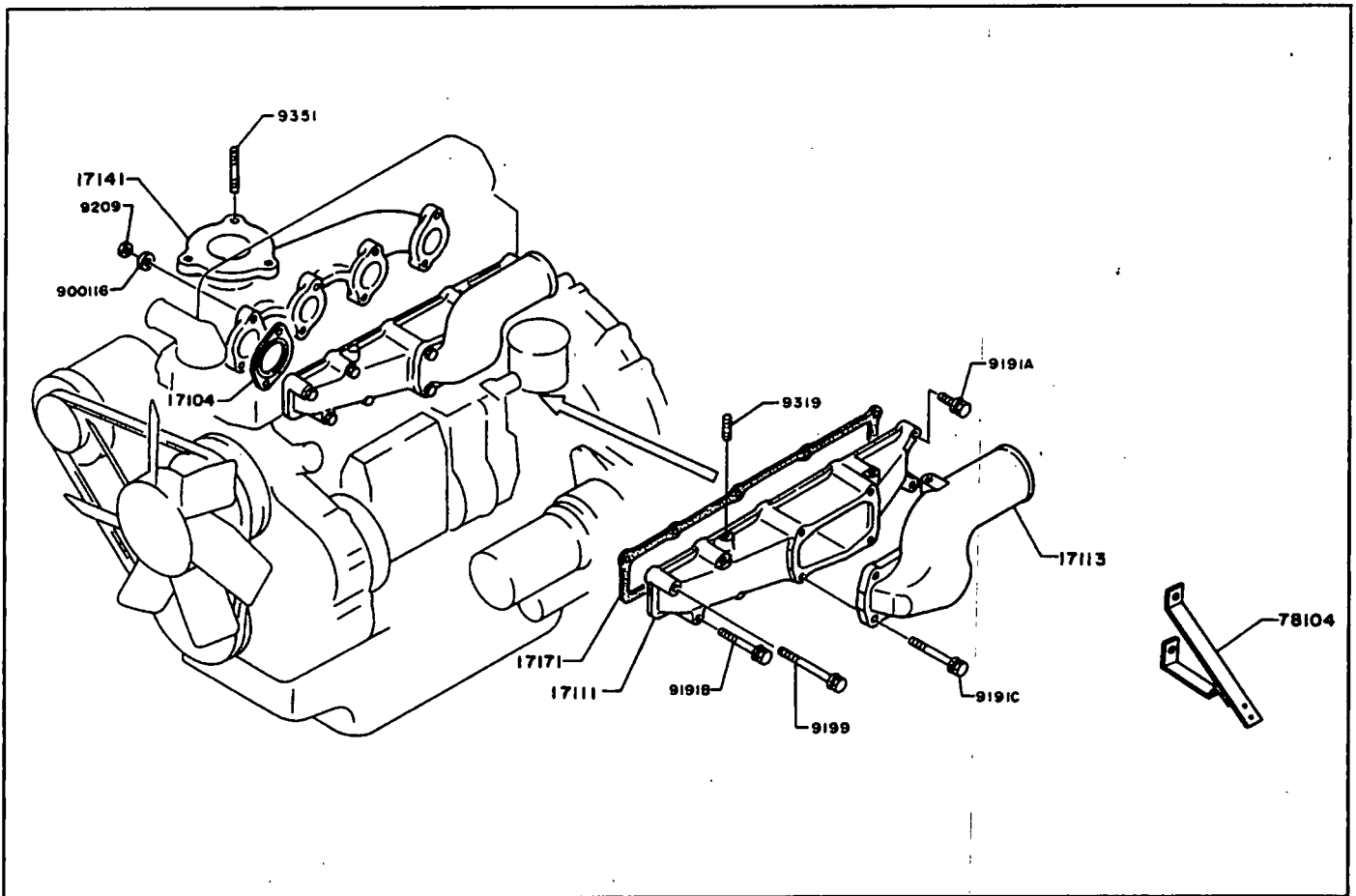
ITEM	PART NO.	DESCRIPTION	QTY
13501	187-64238	Camshaft Sub Assembly	1
13505	188-64238	Gear Sub Assembly, Idle	1
13523	143-85677	Gear, Camshaft	1
13571	190-64238	Plate, Camshaft Thrust	1
13572	191-64238	Plate, Idle Gear Thrust	1
13572A	192-64238	Plate, Idle Gear Thrust	1
13580	144-85677	Shaft Assembly, Idle Gear	1
900124	194-64238	Bolt	1
9181A	196-64238	Bolt	1
9182	145-85677	Bolt W / Washer	2
9262	197-64238	Washer, Plain	1
9504	198-64238	Pin, Straight	2
9533	199-64238	Key	1
9867	200-64238	Bushing	1

4.0L DIESEL VALVES AND VALVE ROCKERS



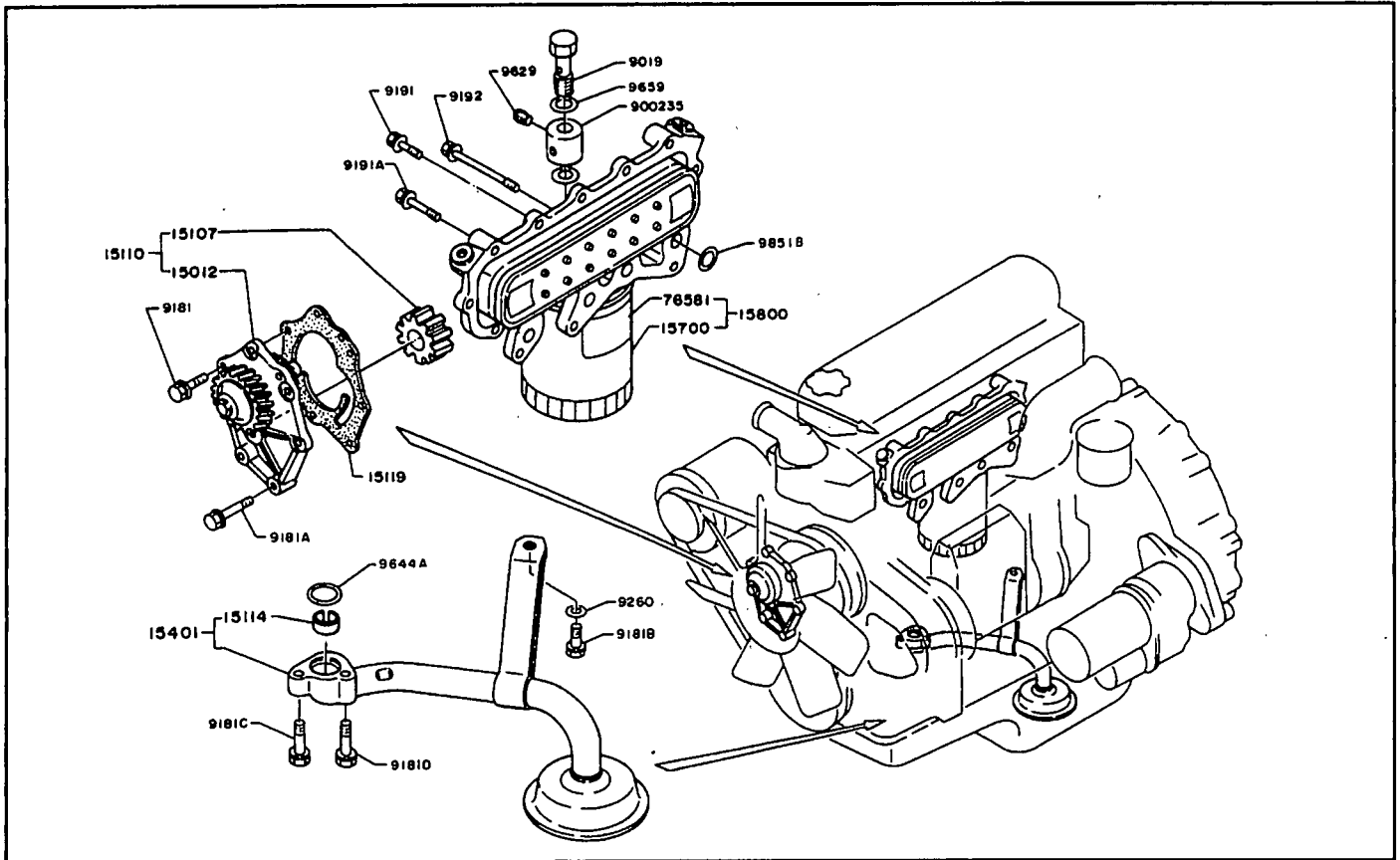
ITEM	PART NO.	DESCRIPTION	QTY
13708	146-85677	Rod: Sub Assembly, Valve Push	8
13711	202-64238	Valve, Intake, STD	4
13715	203-64238	Valve, Exhaust, STD	4
13719	204-64238	Seal, Valve Stem, OIL	8
13731	205-64238	Spring, Valve, Outer	8
13732	206-64238	Spring, Valve, Inner	8
13734	207-64238	Seat, Valve Spring, Lower	8
13735	208-64238	Seat, Valve Spring, Upper	8
13751	147-85677	Lifter, Valve	8
13787	210-64238	Screw, Valve Adjustment	8
13811	148-85677	Arm, Valve Rocker	4
13811A	149-85677	Arm, Valve Rocker	4
13901	213-64238	Shaft Sub Assembly, Valve Rocker	1
13951	214-64238	Support, Valve Rocker	1
13951A	215-64238	Support, Valve Rocker	3
13951B	216-64238	Support, Valve Rocker	1
900126	217-64238	Lock, Valve Spring Retainer	16
900129	218-64238	Collar	4
9191	219-64238	Bolt	5
9219	220-64238	Nut	8
9280	221-64238	Lockwasher	2
9391	222-64238	Screw Set	2
9630	223-64238	Plug, Expansion	2

4.0L DIESEL INTAKE AND EXHAUST MANIFOLDS



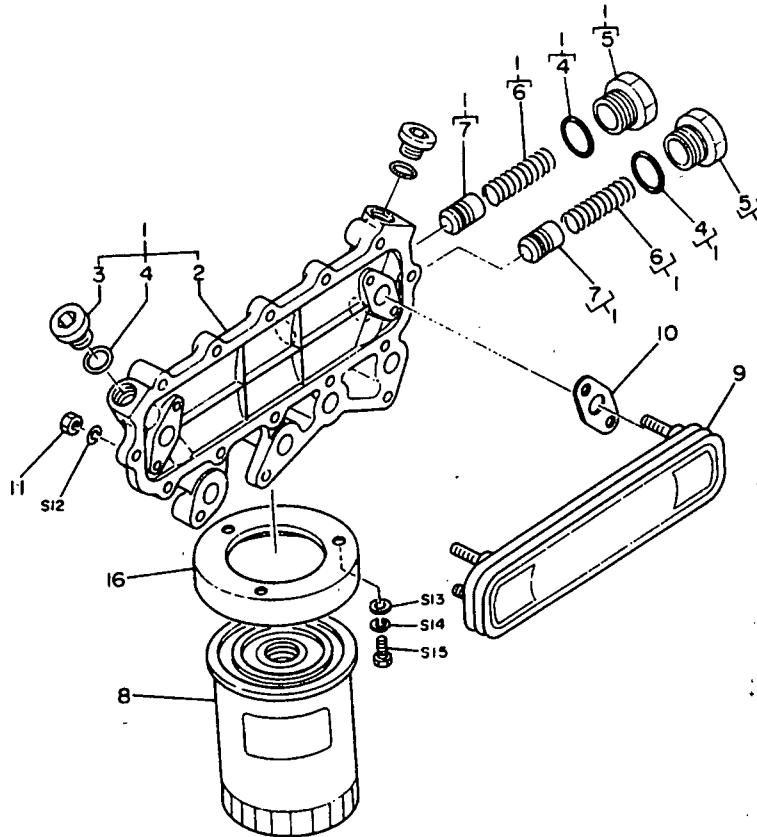
ITEM	PART NO.	DESCRIPTION	QTY
17104	150-85677	Gasket, Sub Assembly, Exhaust Manifold	4
17111	224-64238	Manifold, Intake	1
17113	225-64238	Pipe, Intake (Used on Naturally Aspirated units only, see pages 30-34 for Turbocharged Intake Pipe)	1
17141	151-85677	Manifold, Exhaust	1
17171	152-85677	Gasket, Intake Manifold	1
78104	153-85677	Bracket Sub Assembly, Accel Control	1
900116	229-64238	Spacer	8
9191A	124-55495	Bolt	2
9191B	231-64238	Bolt	3
9191C	232-64238	Bolt	4
9199	233-64238	Bolt	1
9209	234-64238	Nut	8
9319	235-64238	Stud	2

4.0L DIESEL LUBRICATING SYSTEM



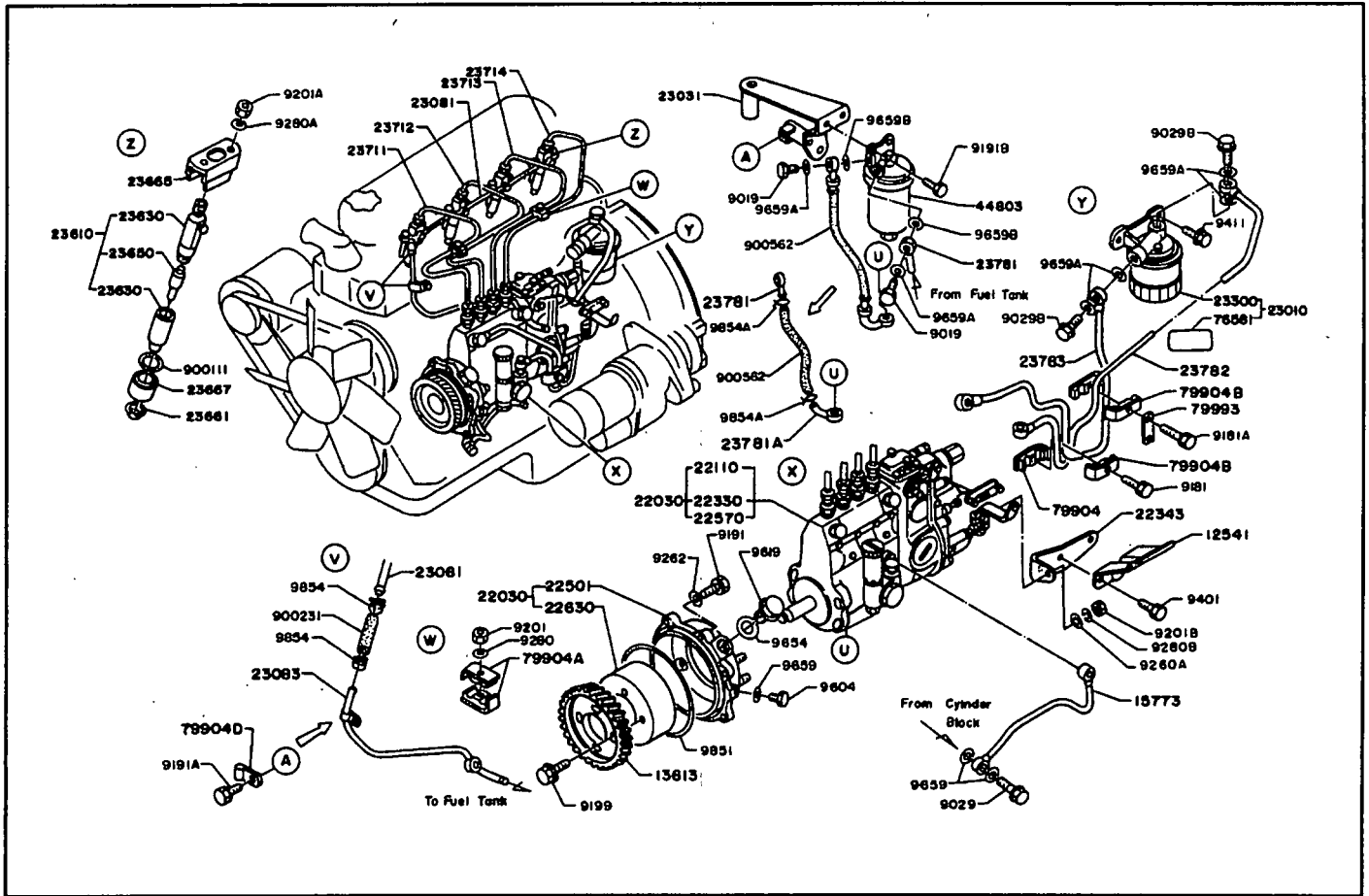
ITEM	PART NO.	DESCRIPTION	QTY
15012	236-64238	Cover Sub Assembly, Oil Pump	1
15107	237-64238	Gear Sub Assembly, Oil Pump	1
15110	238-64238	Pump Assembly, Oil, Less Strainer	1
15114	154-85677	Guide, O-ring	1
15119	239-64238	Gasket, Oil Pump Cover	1
15401	240-64238	Pipe Sub Assembly, Oil Pump Inlet	1
15700	241-64238	Cooler Assembly, Oil, With Filter	1
15800	242-64238	Filter Assembly, Oil	1
76581	157-85677	Plate, Caution Complete	1
900235	158-85677	Connector, Pipe	1
9019	246-64238	Bolt	1
9181	138-64238	Bolt	5
9181A	247-64238	Bolt	2
9181B	137-64238	Bolt	1
9181C	159-85677	Bolt	1
9181D	160-85677	Bolt	1
9191	161-85677	Bolt	10
9191A	219-55495	Bolt	3
9192	162-85677	Bolt, W/ Washer	2
9260	163-85677	Washer, Plain	1
9629	124-76815	Plug	1
9644A	142-84761	O-ring	1

4.0L DIESEL OIL COOLER AND OIL FILTER



ITEM	PART NO.	DESCRIPTION	QTY
	241-64238	Cooler Assembly, Oil, W/ Filter	1
1	165-85677	Case Sub Assembly, Oil Cooler	1
2	166-85677	Case, Oil Cooler	1
3	251-64238	Plug	2
4	252-64238	O-ring	4
5	253-64238	Plug, Valve Spring	2
6	254-64238	Spring, Oil Valve	2
7	521-55495	Valve, Filter Safety	2
8	524-64238	Element Set, Oil Filter	1
9	167-85677	Element, Oil Cooler	1
10	258-64238	Gasket, Oil Cooler Element	2
11	259-64238	Nut	4
12	260-64238	Lockwasher	4
13	168-85677	Washer, Plain	4
14	310-64238	Lockwasher	3
15	169-85677	Bolt	3
16	170-85677	Plate, Oil Filter	1

4.0L DIESEL FUEL SYSTEM

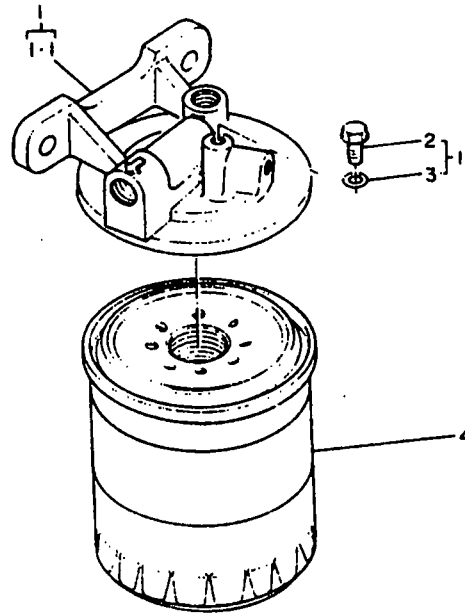


ITEM	PART NO.	DESCRIPTION	QTY
12541	171-85677	Insulator, Start	1
13613	262-64238	Gear, Injection Pump Drive	1
15773	172-85677	Pipe, Oil	1
22030	173-85677	Pump Assembly, Injection	1
22110	174-85677	Body Assembly, Injection Pump	1
22330	175-85677	Governor Assembly	1
22343	267-64238	Bracket	1
22501	268-64238	Cover Sub Assembly, Timer	1
22570	269-64238	Pump Assembly, Fuel Feed	1
22630	270-64238	Coupling Assembly	1
23010	271-64238	Filter Assembly, Fuel Export	1
23031	272-64238	Bracket Sub Assembly, Fuel Filter	1
23081	273-64238	Pipe Sub Assembly, Fuel Leakage	1
23083	176-85677	Pipe Sub Assembly, Through Feed	1
23300	610-55495	Filter Assembly, Fuel	1
23610	276-64238	Nozzle and Holder Set	4
23630	326-64238	Holder Assembly, Nozzle	4
23650	278-64238	Nozzle Assembly	4
23661	279-64238	Gasket, Nozzle Holder	4
23665	280-64238	Adaptor, Nozzle Holder	4
23667	281-64238	Ring, Packing	4
23711	282-64238	Pipe, Injection NO. 1	1

4.0L DIESEL FUEL SYSTEM (CONTINUED)

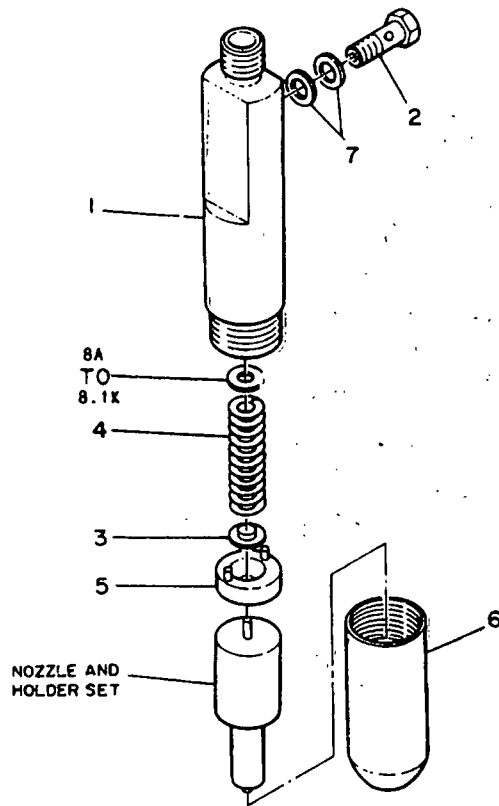
ITEM	PART NO.	DESCRIPTION	QTY
23712	283-64238	Pipe, Injection NO. 2	1
23713	284-64238	Pipe, Injection NO. 3	1
23714	285-64238	Pipe, Injection NO. 4	1
23781	286-64238	Pipe, Fuel	2
23781A	177-85677	Pipe, Fuel	1
23782	178-85677	Pipe, Fuel Feed	1
23783	179-85677	Pipe, Fuel	1
44803	334-64238	Separator Sub Assembly, Water	1
76581	180-85677	Plate, Caution Complete	1
79904	293-64238	Clip Sub Assembly	1
79904A	294-64238	Clip Sub Assembly	4
79904B	295-64238	Clip Sub Assembly	3
79904D	296-64238	Clip Sub Assembly	1
79993	297-64238	Holder, Clip	1
900111	298-64238	Shim	4
900231	299-64238	Hose, Fuel	1
900562	181-85677	Tube	1
9019	300-64238	Bolt	2
9029	301-64238	Bolt	1
9029B	302-64238	Bolt	2
9181	182-85677	Bolt	1
9181A	304-64238	Bolt	1
9191	124-55495	Bolt	3
9191A	305-64238	Bolt	1
9191B	161-85677	Bolt	2
9199	306-64238	Bolt	4
9201	307-64238	Nut	2
9201A	308-64238	Nut	8
9201B	422-64238	Nut	1
9260A	309-64238	Washer, Plain	1
9262	163-85677	Washer, Plain	1
9280	310-64238	Lockwasher	2
9280A	260-64238	Lockwasher	8
9280B	428-64238	Lockwasher	1
9401	116-64238	Bolt	2
9411	311-64238	Bolt	2
9604	312-64238	Plug	1
9619	313-64238	Plug	1
9654	314-64238	Washer, Soft	1
9659	315-64238	Washer, Soft	3
9659A	316-64238	Washer, Soft	6
9659B	317-64238	Washer, Soft	2
9851	318-64238	O-ring	1
9854	185-85677	Clip	2
9854A	186-85677	Clip	2

4.0L DIESEL FUEL FILTER



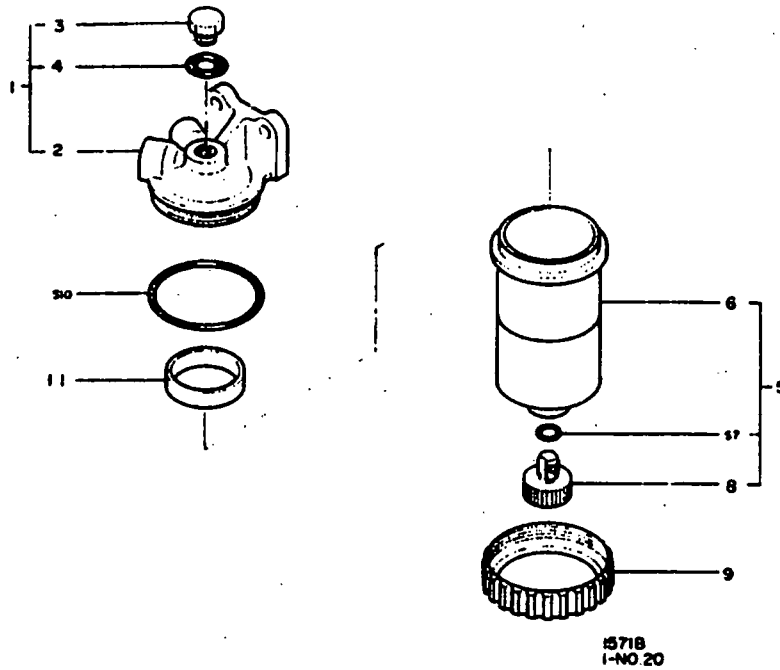
ITEM	PART NO.	DESCRIPTION	QTY
	610-55495	Filter Assembly, Fuel	1
1	187-85677	Cover Assembly, Fuel Filter	1
1.1	533-55495	Cover, Fuel Filter	1
2	323-64238	Plug, Air	1
3	535-55495	Gasket, Air Plug	1
4	102-71696	Element Set, Fuel Filter	1

4.0L DIESEL NOZZLE AND HOLDER SET



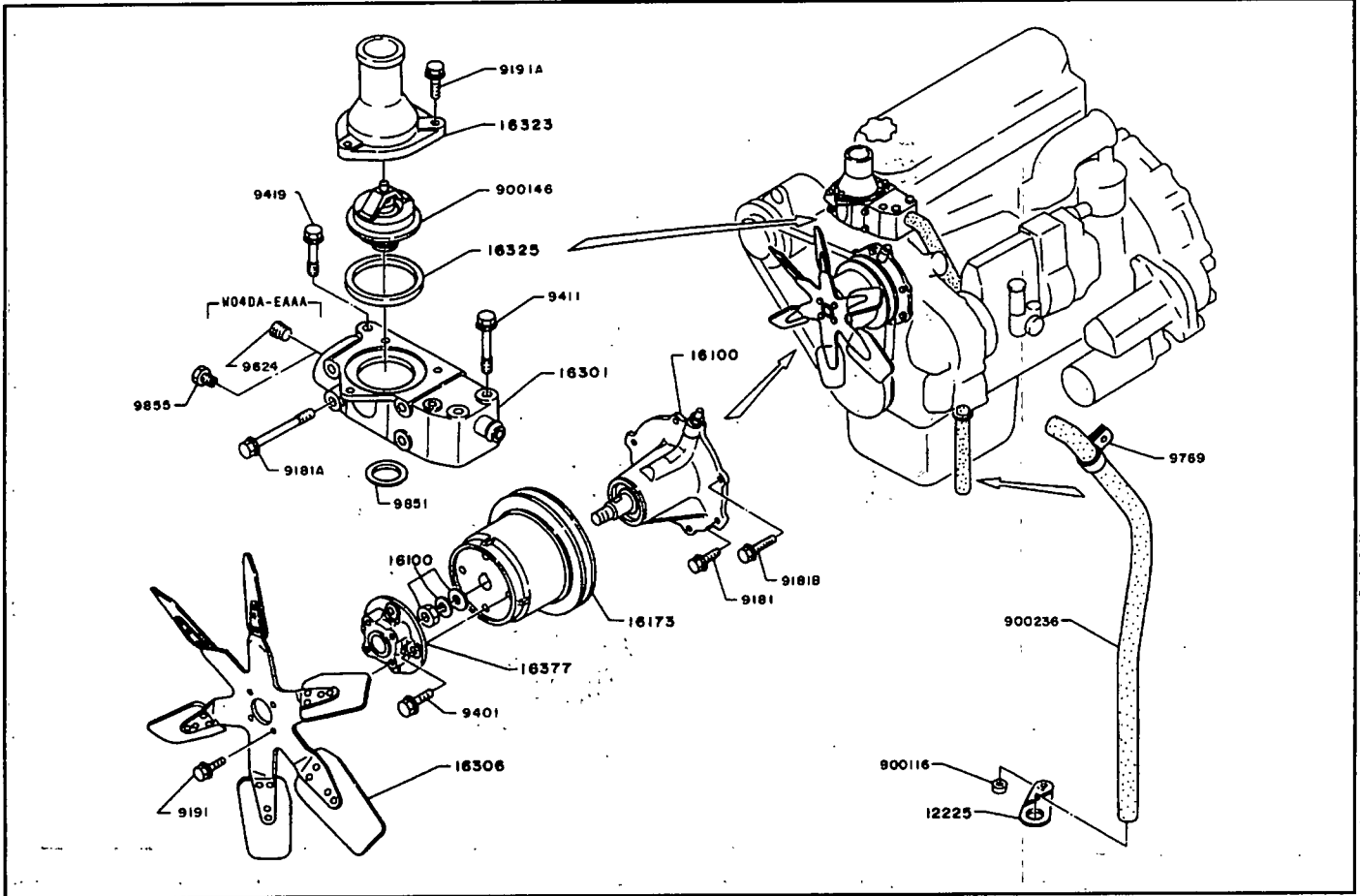
ITEM	PART NO.	DESCRIPTION	QTY
	326-64238	Holder Assembly, Nozzle	4
1	189-85677	Body, Nozzle Holder	1
2	190-85677	Bolt, Joint	1
3	191-85677	Pin, Nozzle Holder Press	1
4	621-55495	Spring, Nozzle	1
5	192-85677	Distance Piece	1
6	193-85677	Nut, Nozzle Retaining	1
7	194-85677	Washer, Plain	2
8.A			
TO			
8.1J		Shims Available Sizes T=0.7 TO T=1.475	AR

4.0L DIESEL WATER SEPARATOR



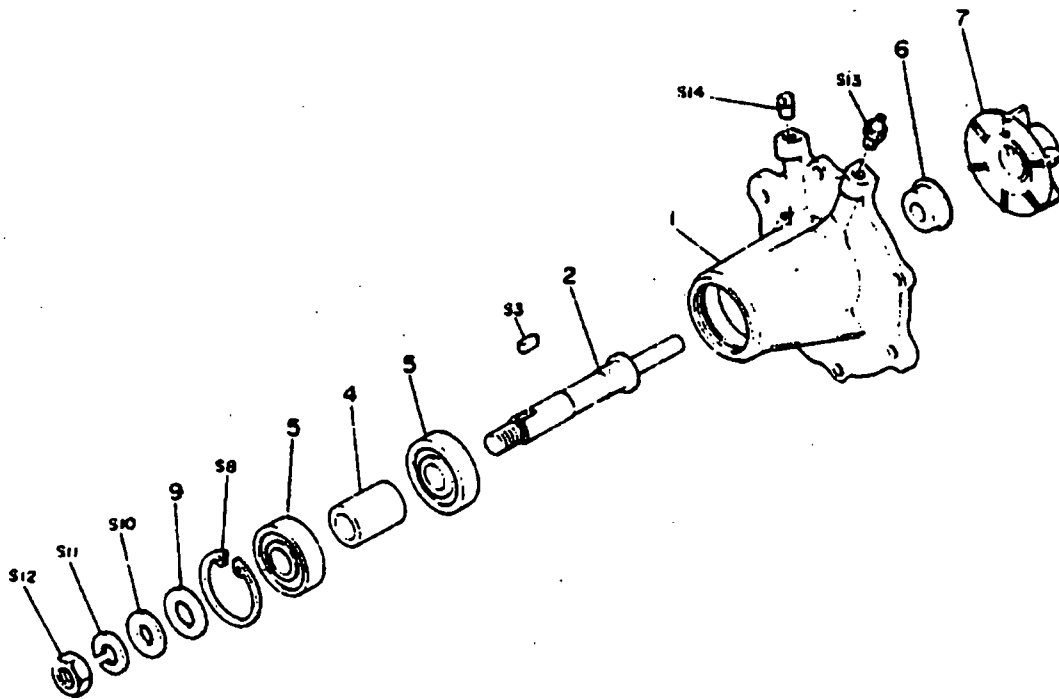
ITEM	PART NO.	DESCRIPTION	QTY
	334-64238	Separator Sub Assembly, Water	1
1	335-64238	Cover Assembly, Water Separator	1
2	336-64238	Cover, Water Separator	1
3	337-64238	Plug, Air	1
4	198-85677	Gasket, Air Plug	1
5	339-64238	Body Assembly, Water Separator	1
6	340-64238	Body, Water Separator	1
7	341-64238	O-ring	1
8	342-64238	Plug, Drain	1
9	343-64238	Ring, Retainer	1
10	344-64238	O-ring	1
11	345-64238	Float	1

4.0L DIESEL COOLING SYSTEM



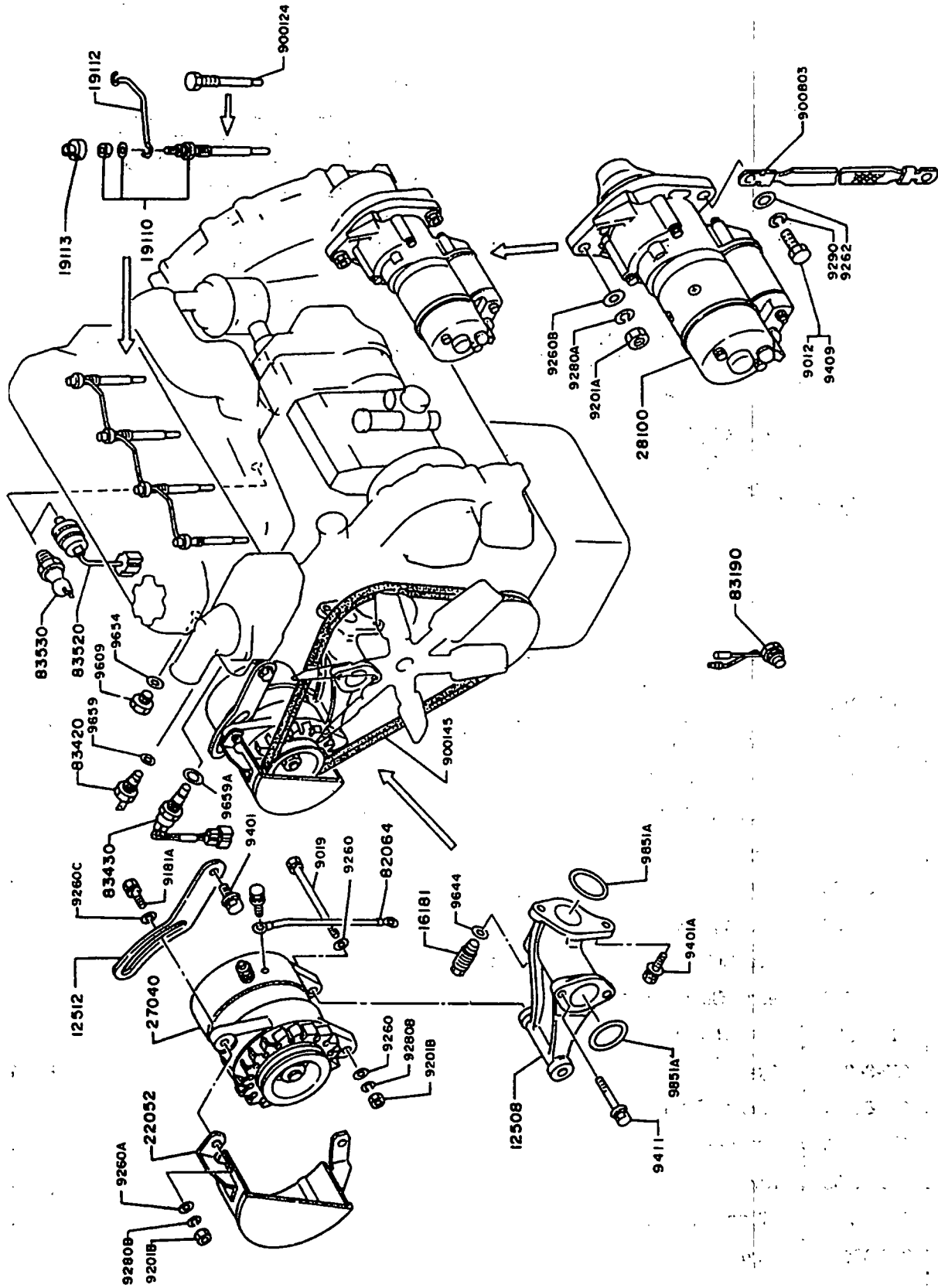
ITEM	PART NO.	DESCRIPTION	QTY
12225	346-64238	Flange, Vent	1
16100	366-64238	Pump Assembly, Coolant	1
16173	348-64238	Pulley, Coolant Pump	1
16301	349-64238	Case Sub Assembly, Thermostat	1
16306	350-64238	Fan Sub Assembly, Cooling	1
16323	351-64238	Cover, Thermostat Case	1
16325	352-64238	Gasket, Thermostat	1
16377	199-85677	Spacer, Fan Pulley	1
900116	354-64238	Spacer	1
900146	200-85677	Thermostat	1
900236	356-64238	Hose, Vent	1
9181	138-64238	Bolt	4
9181A	357-64238	Bolt	4
9181B	358-64238	Bolt	2
9191	110-85677	Bolt	4
9191A	180-55495	Bolt	3
9401	360-64238	Bolt	4
9411	202-85677	Bolt	2
9419	362-64238	Bolt	1
9624	128-85677	Plug	1
9769	364-64238	Clamp	1
9851	204-85677	O-ring	2

4.0L DIESEL COOLANT PUMP



ITEM	PART NO.	DESCRIPTION	QTY
	366-64238	Pump Assembly, Coolant	1
1	205-85677	Case, Coolant Pump	1
2	368-64238	Shaft, Coolant Pump	1
3	396-64238	Key	1
4	397-64238	Collar	1
5	398-64238	Bearing, Ball	2
6	399-64238	Seal Sub Assembly, Coolant Pump	1
7	400-64238	Vane, Coolant Pump	1
8	401-64238	Ring, Retainer	1
9	402-64238	Spacer	1
10	403-64238	Washer, Plain	1
11	404-64238	Lockwasher	1
12	405-64238	Nut	1
13	406-64238	Fitting, Lubrication	1
14	206-85677	Plug	1

4.0L DIESEL ELECTRICAL PARTS

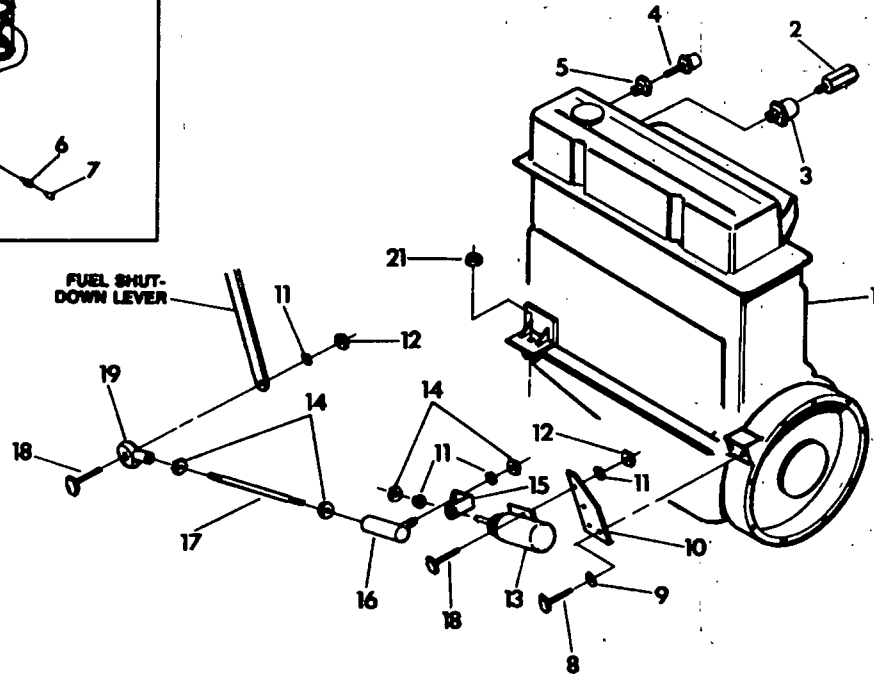
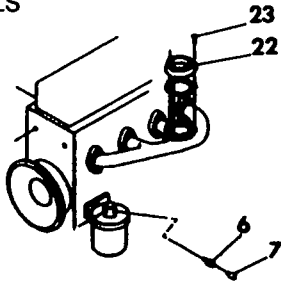


4.0L DIESEL ELECTRICAL PARTS

ITEM	PART NO.	DESCRIPTION	QTY
12508	407-64238	Bracket Sub Assembly, Gen	1
12512	408-64238	Brace, Gen	1
16181	207-85677	Valve, Coolant Cock	1
19110	208-85677	Plug Assembly, Glow	4
19112	411-64238	Wire, Glow Plug Ground	3
19113	412-64238	Insulator, Glow Plug	4
27040	694-59089	Alternator assembly, W/ Regulator	1
28100	209-85677	Starter Assembly	1
82064	210-85677	Harness Sub Assembly, Engine	1
83530	211-85677	Switch Assembly, Oil Pressure	1
900145	418-64238	V-belt	1
900803	419-64238	Strap, Band	1
9019	420-64238	Bolt	1
9181A	212-85677	Bolt	1
9201A	423-64238	Nut	1
9201B	422-64238	Nut	1
9260	424-64238	Washer, Plain	2
9260B	426-64238	Washer, Plain	1
9260C	213-85677	Washer, Plain	1
9262	427-64238	Washer, Plain	1
9280A	429-64238	Lockwasher	1
9280B	428-64238	Lockwasher	1
9401	116-64238	Bolt	1
9401A	430-64238	Bolt	2
9409	431-64238	Bolt	1
9411	432-64238	Bolt	2
9609	433-64238	Plug	1
9644	676-55494A	O-ring	1
9654	434-64238	Washer, Soft	1
9851A	214-85677	O-ring	2

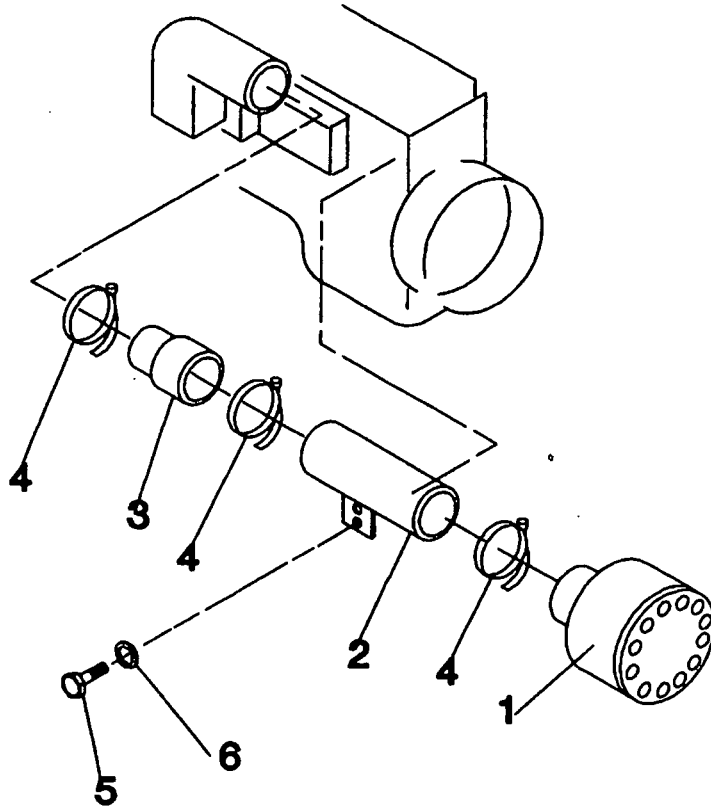
4.0L DIESEL ENGINE FINISH PARTS

NATURALLY ASPIRATED
MODELS



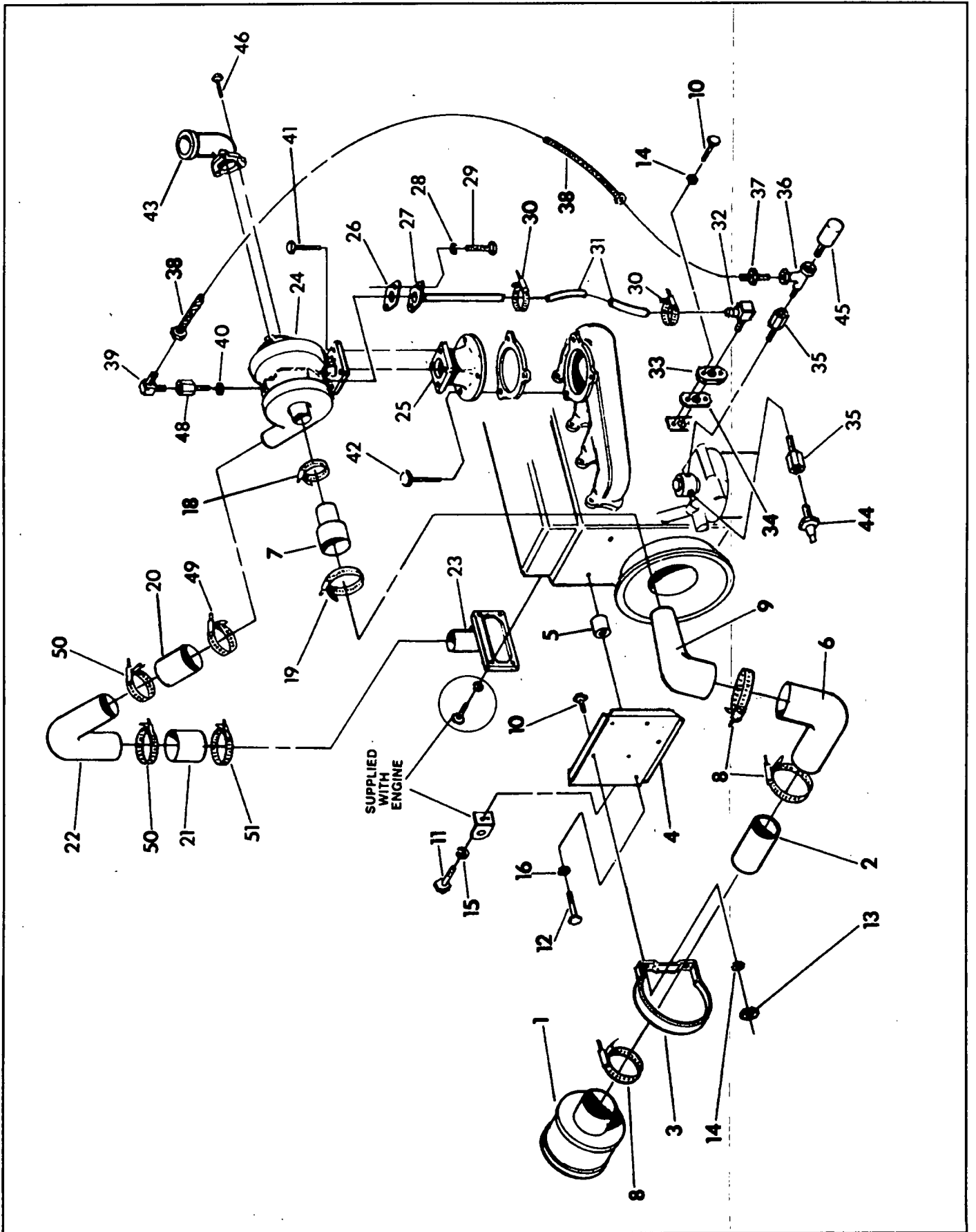
ITEM	PART NO.	DESCRIPTION	QTY
1	85677	Engine, 4.0 Liter Diesel	1
2	53667	Sender, Coolant Temperature	1
3	63892	Adaptor, Coolant Temperature Sender	1
4	35606	Switch, High Coolant	1
5	40841	Bushing, Reducer (75 KW Units, GT85 & Grainger 85 Trailer Packages)	1
6	42574	Adaptor, Oil Pressure Sender	1
7	53666	Sender, Oil Pressure	1
8	52617	Capscrew	2
9	51769	Lockwasher	2
10	66130	Bracket, Solenoid	1
11	22097	Lockwasher	5
12	49813	Nut, Hex	3
13	66131	Solenoid, 24 Volts	1
14	36409	Nut	4
15	57182	Bracket	1
16	49954	Joint, Ball	1
17	66132	Stud	1
18	42568	Capscrew	2
19	51145	End, Rod	1
21	52860	Nut, Lock	2
22	63871	Adaptor, Exhaust Outlet	1
23	64416	Hex Head Capscrew	3

4.0L DIESEL AIR CLEANER (40 KW UNITS)



ITEM	PART NO.	DESCRIPTION	QTY
1	90749	Air Cleaner	1
2	90740	Tube, Air Cleaner	1
3	65316	Reducer, Adaptor (Rubber)	1
4	66212	Clamp, Hose	3
5	49541	Capscrew, Hex Head	2
6	46526	Lockwasher	2

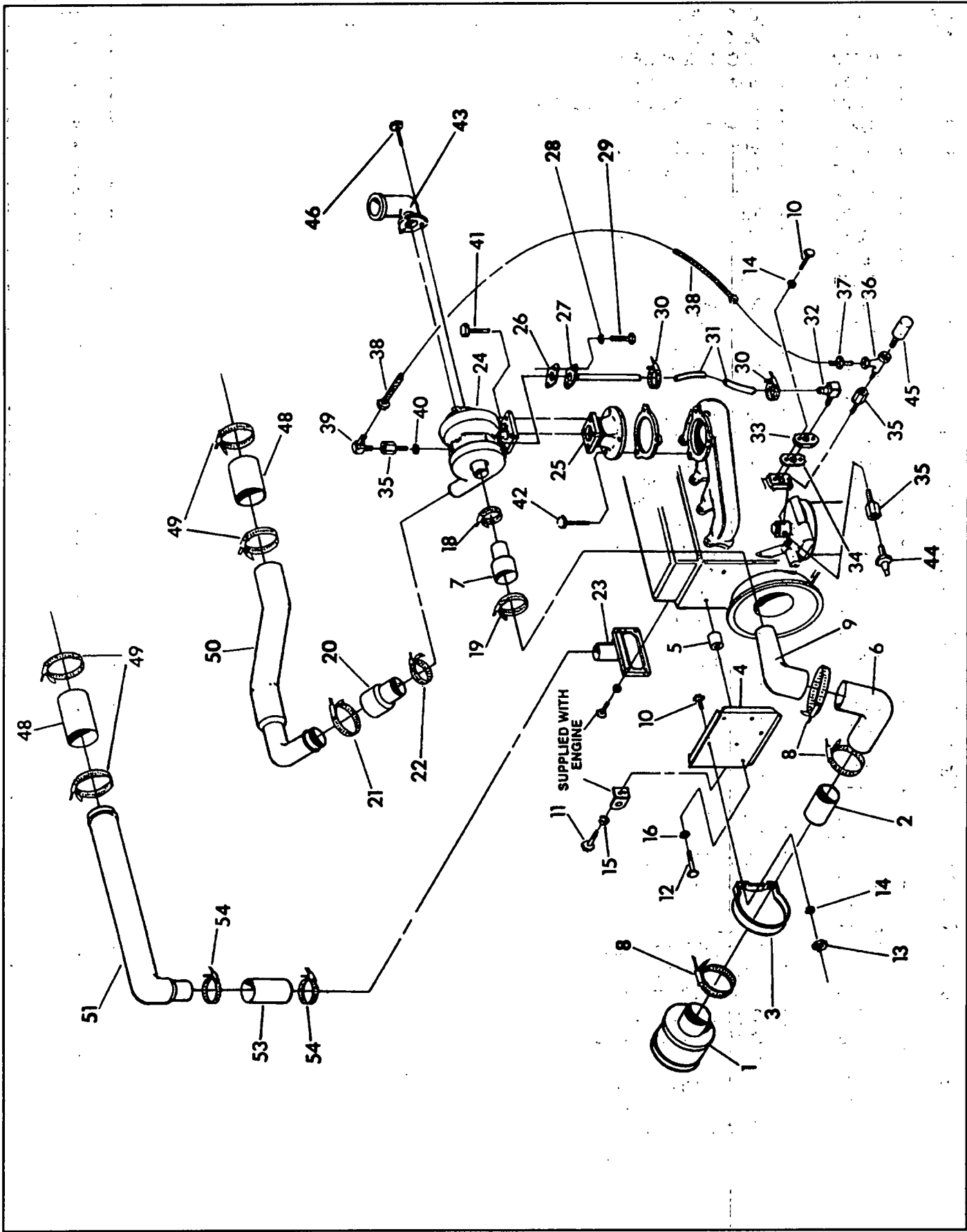
4.0L DIESEL TURBOCHARGER (50 & 60 KW UNITS)



4.0L DIESEL TURBOCHARGER (50 & 60 KW UNITS)

ITEM	PART NO.	DESCRIPTION	QTY
1	90749	Air Cleaner	1
2	90789	3" O.D. Steel Tube	1
3	73354	Strap, Air Cleaner	1
4	63897	Bracket, Air Cleaner Mounting	1
5	65233	Spacer	2
6	65231	Elbow, Reducer, 90 Degree	1
7	64085	Coupling, Reducer	1
8	66212	Clamp, Hose	3
9	66103	Tube, Inlet	1
10	39253	Hex Head Capscrew	2
11	49541	Capscrew	2
12	53559	Capscrew	2
13	45771	Nut, Hex	2
14	22129	Lockwasher	4
15	46526	Lockwasher	2
16	51769	Lockwasher	2
18	35685	Clamp, Hose	1
19	42561	Clamp, Hose	1
20	59999G	Turbo Connector	1
21	59379	Coupling, Reducer	1
22	65311	Coupling, Reducer	1
23	65336	Adaptor, Manifold	1
24	80581	Turbocharger	1
25	65304	Adaptor, Turbocharger	1
26	64417	Gasket	1
27	83553	Line, Oil	1
28	22097	Lockwasher	2
29	47411	Capscrew	2
30	57823	Clamp, Hose	2
31	65386	Hose, 5/8" X 16-1/2" Long	1
32	34339	Elbow, 90 Degree	1
33	65346	Cover, Flange	1
34	65345	Gasket	1
35	42574	Adaptor	2
36	65376	Fitting, Tee	1
37	65375	Adaptor	1
38	64096A	Line, Oil	1
39	64094	Elbow, 90 Degree	1
40	64093	Washer, Copper	1
41	55173	Capscrew	4
42	51756	Capscrew	3
43	65356	Elbow, Exhaust Outlet	1
44	60108	Switch, Oil Pressure	1
45	53666	Sender, Oil Pressure	1
46	40976	Capscrew, Socket Head	3
47*	65382	Gasket, Manifold Adaptor	1
48	64092	Adaptor	1
49	86133B	Clamp, High Torque	1
50	86133C	Clamp, High Torque	2
51	86133D	Clamp, High Torque	1
*		Not Shown	

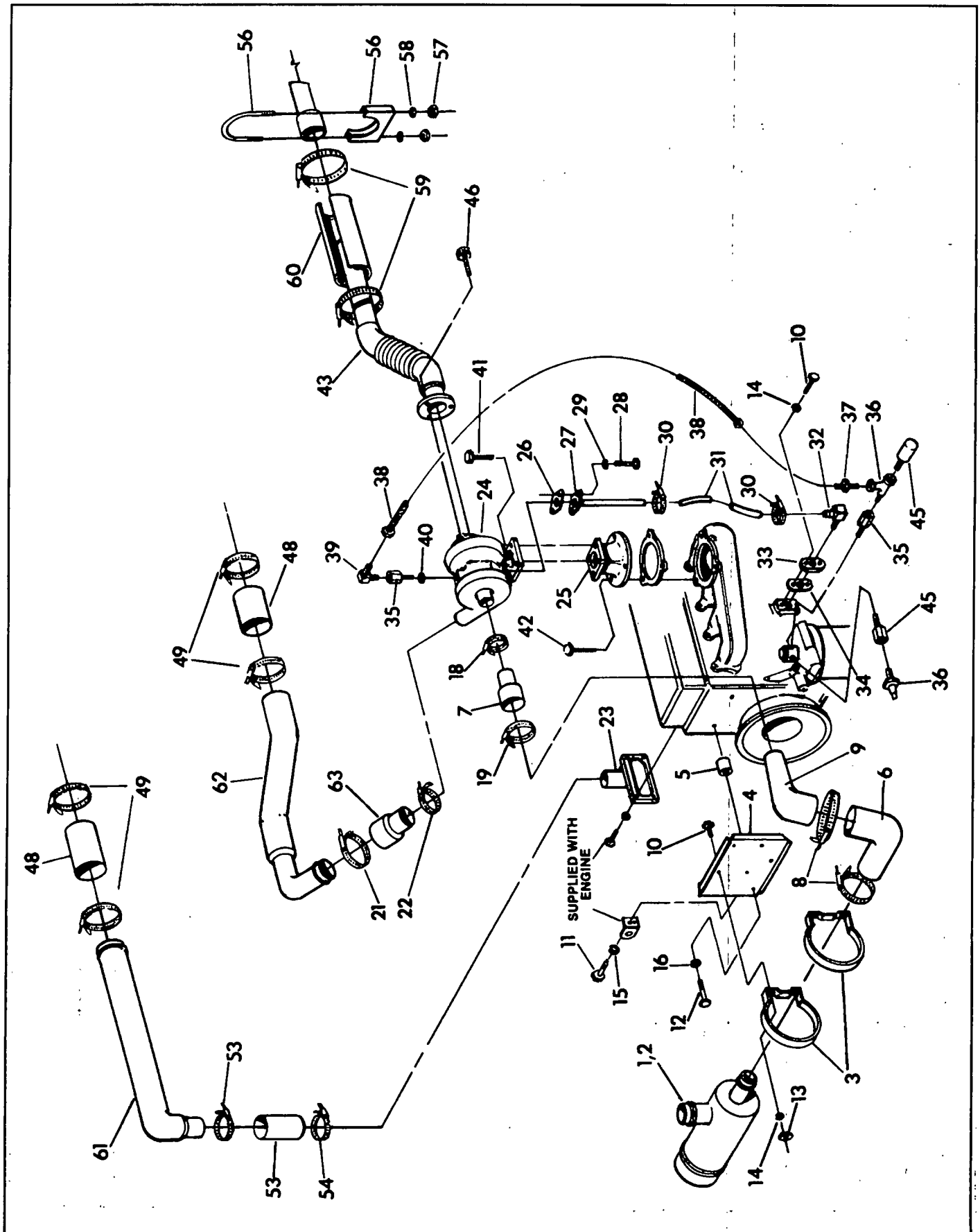
4.0L DIESEL TURBOCHARGER (75 KW UNITS)



4.0L DIESEL TURBOCHARGER (75 KW UNITS)

ITEM	PART NO.	DESCRIPTION	QTY
1	90749	Air Cleaner	1
2	90789	Steel Tube	1
3	73354	Strap, Air Cleaner	1
4	63897	Bracket, Air Cleaner Mounting	1
5	65233	Spacer	2
6	65231	Elbow, Reducer, 90 Degree	1
7	64085	Coupling, Reducer	1
8	66212	Clamp, Hose	3
9	66103	Tube, Inlet	1
10	39253	Capscrew, Hex Head	2
11	49541	Capscrew	2
12	53559	Capscrew	2
13	45771	Nut, Hex	2
14	22129	Lockwasher	4
15	46526	Lockwasher	2
16	51769	Lockwasher	2
18	35685	Clamp, Hose	1
19	42561	Clamp, Hose	1
20	59999G	Turbo Connector	1
21	86133C	Clamp, High Torque	1
22	86133B	Clamp, High Torque	1
23	65336	Adaptor, Manifold	1
24	80581	Turbocharger	1
25	65304	Adaptor, Turbocharger	1
26	64417	Gasket	1
27	83553	Line, Oil	1
28	22097	Lockwasher	2
29	47411	Capscrew	2
30	57823	Clamp, Hose	2
31	65386	Hose, 5/8" X 16-1/2" Long	1
32	34339	Elbow, 90 Degree	1
33	65346	Cover, Flange	1
34	65345	Gasket	1
35	64092	Adaptor	3
36	65376	Fitting, Tee	1
37	65375	Adaptor	1
38	64096A	Line, Oil	1
39	64094	Elbow, 90 Degree	1
40	64093	Washer, Copper	1
41	55173	Capscrew	4
42	51756	Capscrew	3
43	65356	Elbow, Exhaust Outlet	1
44	60108	Switch, Oil Pressure	1
45	53666	Sender, Oil Pressure	1
46	40976	CApscrew, Socket Head	3
47	65382	Gasket, Manifold Adaptor	1
48	71265B	Hose, Connection	2
49	86133F	Clamp, High Torque	4
50	84300	Tube, CAC Inlet	1
51	84301	Tube, CAC Outlet	1
53	84294	Hose, Connection	1
54	86133D	Clamp, High Torque	2

4.0L DIESEL TURBOCHARGER (GT85 & GRAINGER 85 TRAILER PACKAGES)



4.0L DIESEL TURBOCHARGER (GT85 & GRAINGER 85 TRAILER PACKAGES)

ITEM	PART NO.	DESCRIPTION	QTY
1	65232	CLEANER, AIR	1
2	65234	ELEMENT, AIR CLEANER	1
3	57183	BAND, AIR CLEANER MOUNTING	2
4	63897	BRACKET, AIR CLEANER MOUNTING	1
5	65233	SPACER	2
6	65231	ELBOW, REDUCER, 90 DEGREE	1
7	64085	COUPLING, REDUCER	1
8	66212	CLAMP, HOSE	2
9	66103	TUBE, INLET	1
10	39253	CAPSCREW, HEX HEAD	4
11	49541	CAPSCREW	2
12	53559	CAPSCREW	2
13	45771	NUT, HEX	4
14	22129	LOCKWASHER	6
15	46526	LOCKWASHER	2
16	51769	LOCKWASHER	2
18	35685	CLAMP, HOSE	1
19	42561	CLAMP, HOSE	1
21	86133C	CLAMP, HIGH TORQUE	1
22	86133B	CLAMP, HIGH TORQUE	1
23	65336	ADAPTOR, MANIFOLD	1
24	80581	TURBOCHARGER	1
25	65304	ADAPTOR, TURBOCHARGER	1
26	64417	GASKET	1
27	64086	LINE, OIL RETURN	1
28	47411	CAPSCREW	2
29	22097	LOCKWASHER	2
30	57823	CLAMP, HOSE	2
31	65386	HOSE, 5/8" X 16-1/2" LONG	1
32	34339	ELBOW, 90 DEGREE	1
33	65346	COVER, FLANGE	1
34	65345	GASKET	1
35	64092	ADAPTOR	3
36	65376	FITTING, TEE	1
37	65375	ADAPTOR	1
38	64096A	LINE, OIL	1
39	64094	ELBOW, 90 DEGREE	1
40	64093	WASHER, COPPER	1
41	55173	CAPSCREW	4
42	51756	CAPSCREW	3
43	64798	FLEX EXHAUST	1
44	60108	SWITCH, OIL PRESSURE	1
45	53666	SENDER, OIL PRESSURE	1
46	40976	CAPSCREW, SOCKET HEAD	3
47	65382	GASKET, MANIFOLD ADAPTOR	1
48	71265	HOSE, CONNECTION	2
49	86133F	CLAMP, HIGH TORQUE	4
53	84294	HOSE, CONNECTION	2
54	86133D	CLAMP, HIGH TORQUE	2
56	80762	U-BOLT & SADDLE	1
57	22241	NUT, HEX	2
58	22237	LOCKWASHER	2
59	39294	HOSE CLAMP	7
60	82361	INSULATION, EXHAUST	2
61	84300	TUBE, INLET CAC	1
62	84301	TUBE, OUTLET CAC	1
63	59999G	COUPLING, REDUCER	1



CONTACT THE **CERTIFIED CENTRAL** DEALER NEAREST YOU

FOR FAST, FRIENDLY, CONVENIENT

"ONE STOP SERVICE"

A/C Energy (IL, WI, N.W. corner of IN <u>counties of Lake, Porter, La Porte, & St. Joseph</u>) 3129 Louis Sherman Drive Steger, IL 60475 Parts: (800) 800-0822 Phone: (708) 758-2007 Fax: (708) 758-2031	#10116
Certified Electrical Distributors (NC, SC, GA, TN) 7715 Park Place Road York, SC 29745 Parts: (800) 843-9103 Phone: (803) 684-0085 Fax: (803) 684-1228	#17662
Clifford Power Systems (KS OK, AR, MO, TX North of I-20) 9310 East 46th Street North Tulsa, OK 74117 Parts: (800) 324-0066 Phone: (918) 836-0066 Fax: (918) 836-0094	#18688
EGN Distributing (AL, FL Panhandle) 2805 6th Avenue South Birmingham, AL 35233 Parts: (800) 824-0139 Phone: (205) 581-1335 Fax: (205) 581-1337	#24005
Energy Systems, INC (CA, NV, UT) 2619 Lycoming Street Stockton, CA 95206 Parts: (800) 845-8519 Phone: (209) 983-6900 Fax: (209) 983-8919	#25899
Hunter & Lomison (PA, NY West of I-81) 1956 West Fourth Street Williamsport, PA 17701 Parts: (800) 922-9540 Phone: (717) 326-1764 Fax: (717) 326-5042	#37446
Huntington Power (ME, VT, NH, Eastern NY, MA, CT, RI, NJ) 8 Algonkin Road Shelton, CT 06477 Parts: (800) 473-1408 Phone: (203) 929-3203 Fax: (800) 929-0713	#37449
Indiana Power & Service (KY, OH, IN <u>except counties of Lake, Porter, LaPorte, & St. Joseph</u>) 1415 Country Club Road Indianapolis, IN 46234 Parts: (800) 229-1672 Phone: (317) 271-1672 Fax: (317) 271-1673	#38944
Kelly Generator (VA, WV, MD, DE) 8421-A Westphalia Road Upper Marlboro, MD 20772 Parts: (800) 677-3815 Phone: (301) 420-3983 Fax: (301) 736-6582	#42602

Marr Brothers (MS, NM, LA, TX South of I-20) 423 East Jefferson Dallas, TX 75209 Parts: (800) 627-7276 Phone: (214) 948-7387 Fax: (800) 967-1259	#49154
Nickel Equipment (MI, UP) 1006 South Division Avenue Grand Rapids, MI 49507 Parts: (800) 638-2440 Phone: (616) 241-2448 Fax: (616) 241-4095	#53250
Omni Energy (MN, IA, ND, SD, NE) 7000 Oxford Street St. Louis Park, MN 55426 Parts: (888) 922-9511 Phone: (612) 922-9511 Fax: (612) 922-9545	#57714
R.B. Grove (FL, <u>except Panhandle</u>) 261 SW 6th Street Miami, FL 33130 Parts: (800) 281-7545 Phone: (305) 854-5420 Fax: (305) 854-0532	#33631
Reliable Power Company (OR, WA, AK) 7911 NE 33rd Drive Suite 360 Portland, OR 97211 Parts: (800) 383-8308 Phone: (503) 282-2250 Fax: (503) 282-2229	#67156
Rocky Mountain Power Generation (CO) 6301 North Broadway Denver, CO 80216 Parts: (800) 822-4332 Phone: (303) 428-3611 Fax: (303) 428-6785	#68027
Southwest Products Corp. (AZ) 5143 West Roosevelt Phoenix, AZ 85043 Parts: (800) 858-0033 Phone: (602) 269-3581 Fax: (602) 269-8448	#72662
TW Enterprises (MT, WY, ID) 2059 North 9th Road Worden, MT 59088 Parts: (800) 955-3795 Phone: (406) 245-4600 Fax: (406) 245-4333	#74554
Total Power Limited (Canada) 5080 Timberlea Blvd. Unit #25 Mississauga, Ontario Canada L4W4M2 Parts: (888) 870-9152 Phone: (905) 238-1529 Fax: (905) 238-1533	#75598