

PB 50000 D

# GENERAC

# 5.0 DIESEL

## *REPAIR PARTS MANUAL*

P.O. BOX 8- WAUKESHA WI. 53187

PHONE: (414) 544- 4811 / FAX : (414) 544-0179

PRINTED IN U.S.A.

ISSUED: 12/07/95

## SERIES-ONE ENGINE USAGE

The "Series-One" 5.0 Liter Diesel # 96383 has been utilized in the following model number units.

95A01368S  
95A01819S  
95A01908S  
95A01918S  
95A02078S  
95A02081S  
95A02343S  
95A02349S  
95A02354S  
95A02377S  
95A02405S  
95A02900S  
95A02905S  
95A02981S  
95A03012S  
95A03177S  
95A03233S  
95403275S  
95A03332S  
95A03565S  
95A03849S  
95A03863S  
95A03908S  
95A04128S  
95A04186S  
95A04200S  
95A04210S  
95A04283S  
95A04296S  
95A04918S

## TABLE OF CONTENTS

ENGINE SERVICE RECOMMENDATIONS	PAGE 2
ENGINE REBUILD GASKET SET / TUNE-UP PARTS / TORQUE SPECIFICATIONS	PAGE 3
ENGINE ASSEMBLY	PAGE 4-5
CRANKSHAFT, FLYWHEEL AND RELATED PARTS	PAGE 6-7
CAMSHAFT, ROCKER ARM, VALVES AND RELATED PARTS	PAGE 8-9
OIL PUMP AND PAN	PAGE 10-11
TURBOCHARGER, MANIFOLD AND EXHAUST SYSTEM	PAGE 12-13
PISTON AND CONNECTING RODS	PAGE 14-15
OIL FILTER SUPPORT	PAGE 16-17
WATER PUMP AND RELATED PARTS	PAGE 18-19
WATER LINES	PAGE 20-21
FUEL SYSTEM	PAGE 22-23
FUEL INJECTION PUMP ASSEMBLY	PAGE 24
FUEL INJECTOR ASSEMBLY	PAGE 25
TUBE AND CLAMP ASSEMBLY	PAGE 26
STARTER / ALTERNATOR	PAGE 27
ENGINE FINISH PARTS	PAGE 28-30
AIR CLEANER ASSEMBLY (EARLY)	PAGE 31
AIR CLEANER ASSEMBLY (LATE)	PAGE 32

## LEGEND

**"SERIES-ONE"** Denotes the first in a series of engines used. (see inside cover for engine applications.)

**"AR"** AS REQUIRED per application.

**"O.S."** OVERSIZE

**"U.S."** UNDERSIZE

\* Not available individually.

## ENGINE SERVICE RECOMMENDATIONS

### SPECIFICATIONS:

TOTAL OIL CAPACITY W / FILTER 19.0 qts.  
COOLING WATER CAPACITY 6.4 qts (engine only)

### RECOMMENDED FLUIDS:

### RECOMMENDED COOLANT:

USE WATER WITH 50% OF FIAT PARAFU 11 ANTIFREEZE. AS AN OPTION, PRODUCTS HAVING SIMILAR CHARACTERISTICS CAN BE USED PROVIDED THEY COMPLY WITH INTERNATIONAL STANDARDS SAEJ1034.

### RECOMMENDED ENGINE OIL:

TEMPERATURE	OIL VISCOSITY AND TYPE	API CLASSIFICATION	OIL & FILTER CHANGE PERIOD (HOURS)
Below -12° C (10° F)	Low ash, SAE 5W supplement 1 or low ash SAE 5W-20 supplement 1 or SAE 10W30.	SF / CC SF / CC SF / CD	150
-12° C to 4° C (10° F to 40° F)	Low ash SAE 10W series 3 or SAE 10W30	SF / CD SF / CD	200
0° C to 32° C (32° F to 90° F)	Low ash SAE 20W Series 3 or SAE 10W30	SF / CD SF / CD	200
Above 24° C (75° F)	Low ash SAE 30W series 3	SF / CD	200

### NOTE:

**WHEN USING DIESEL FUEL WITH A SULFUR CONTENT BELOW 1.0%, SERIES 3 DIESEL ENGINE OIL WITH AN A.P.I. CLASSIFICATION OF CC MAY BE USED IN PLACE OF CD RATED OIL. THE OIL AND FILTER CHANGE INTERVAL MUST THEN BE REDUCED TO 150 HOURS.**

**WHEN USING DIESEL FUEL WITH A SULFUR CONTENT BETWEEN 1% AND 1.3%, USE OIL TYPES LISTED ABOVE. REDUCE THE OIL AND FILTER CHANGE INTERVAL TO EVERY 50 HOURS.**

## ENGINE REBUILD GASKET SET P/N# 100-96383G

DESCRIPTION	GENERAC#	QTY
CYLINDER HEAD GASKET	105-96383	1
RETAINER GASKET	107-96383	1
SEAL ASSEMBLY	109-96383	1
HYDRAULIC PUMP COVER GASKET	130-96383	1
SEAL, O-RING	142-96383	1
GASKET, FRONT COVER	146-96383	1
GASKET, FRONT PLATE	153-96383	1
SEAL ASSEMBLY	166-96383	1
SEAL	179-96383	1
O-RING	190-96383	1
SEAL, O-RING	193-96383	1
SEAL, VALVE STEM	217-96383	8
O-RING	240-96383	1
O-RING	244-96383	1
GASKET, OIL PAN	251-96383	1
GASKET, DRAIN PLUG	252-96383	1
GASKET, INTAKE MANIFOLD	257-96383	1
SEAL, O-RING	260-96383	3
GASKET, EXHAUST MANIFOLD	263-96383	1
GASKET, CHARGER	267-96383	1
GASKET	271-96383	1
SEAL, O-RING	311-96383	1
SEAL, O-RING	315-96383	2
SEAL, O-RING	316-96383	1
GASKET	324-96383	1
SEAL & SEAT	325-96383	1
GASKET, WATER PUMP	330-96383	1
GASKET, WATER OUTLET	334-96383	1
GASKET	360-96383	4
GASKET	361-96383	1
SEAL, O-RING	364-96383	1
WASHER, SEALING	367-96383	4
SEAL	368-96383	4
GASKET	380-96383	2
GASKET	384-96383	1
GASKET	394-96383	1
GASKET	397-96383	6
GASKET	398-96383	4
GASKET	401-96383	2

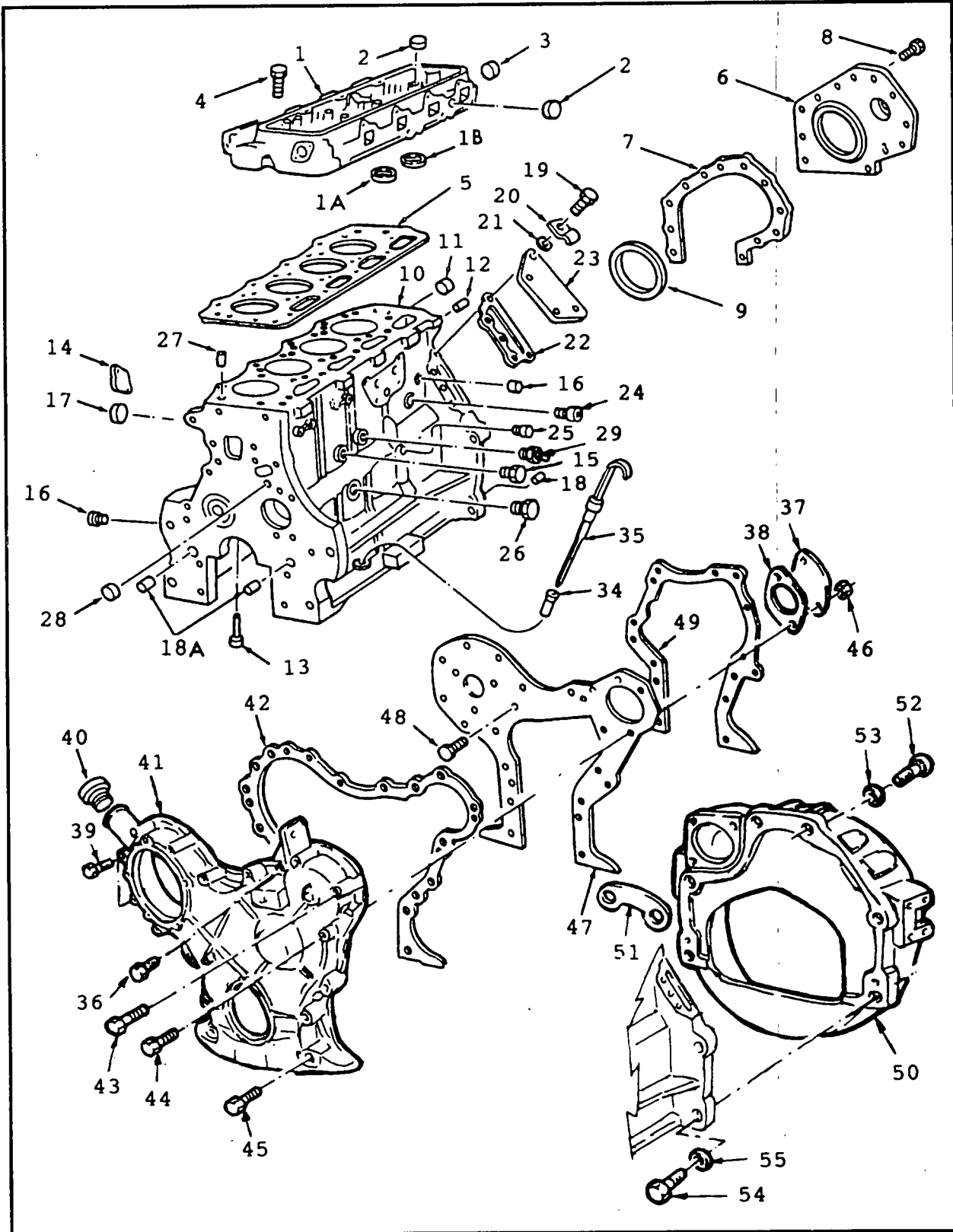
### ENGINE TUNE-UP / ENGINE PARTS

AIR FILTER (EARLY) 7-3/4" O.D.	90625
AIR FILTER (LATE) 8-1/2 O.D.	90749
OIL FILTER	96770
V-BELT	95280
FUEL FILTER	316-96383
RADIATOR HOSE (UPPER)	95081
RADIATOR HOSE (LOWER)	95082
THERMOSTAT	341-96383
THERMOSTAT GASKET	334-96383
FUEL INJECTOR ASSEMBLY	414-96383
PISTON, PIN, RETAINER SET (STD)	285-96383
PISTON RING SET (STD)	292-96383
CONNECTING ROD BEARING SET (STD)	299-96383
MAIN BEARING LINER SET (STD)	172-96383
MAIN BEARING LINER KIT THRUST (STD)	178-96383
REAR MAIN OIL SEAL	179-96383

### TORQUE SPECIFICATIONS

BALANCER BOLTS	85 ft lbs / 115Nm
MAIN BEARING BOLTS	145 ft lbs / 197 Nm
CONNECTING ROD BOLTS	110 ft lbs / 149 Nm
CYL HEAD BOLTS (ENGINE COLD)	160 ft lbs / 217 Nm
INTAKE MANIFOLD	26 ft lbs / 35 Nm
EXHAUST MANIFOLD	28 ft lbs / 38 Nm
EXHAUST PIPE TO FLANGE	23 ft lbs / 31 Nm
FLYWHEEL TO CRANKSHAFT	145 ft lbs / 197 Nm
OIL PAN DRAIN PLUG	30 ft lbs / 41 Nm
VALVE ROCKER COVER BOLTS	18 ft lbs / 24 Nm
CRANKSHAFT PULLEY TO CRANK	210 ft lbs / 224 Nm
RKR ARM SELF LOCKING SCREW	18 ft lbs / 24 Nm

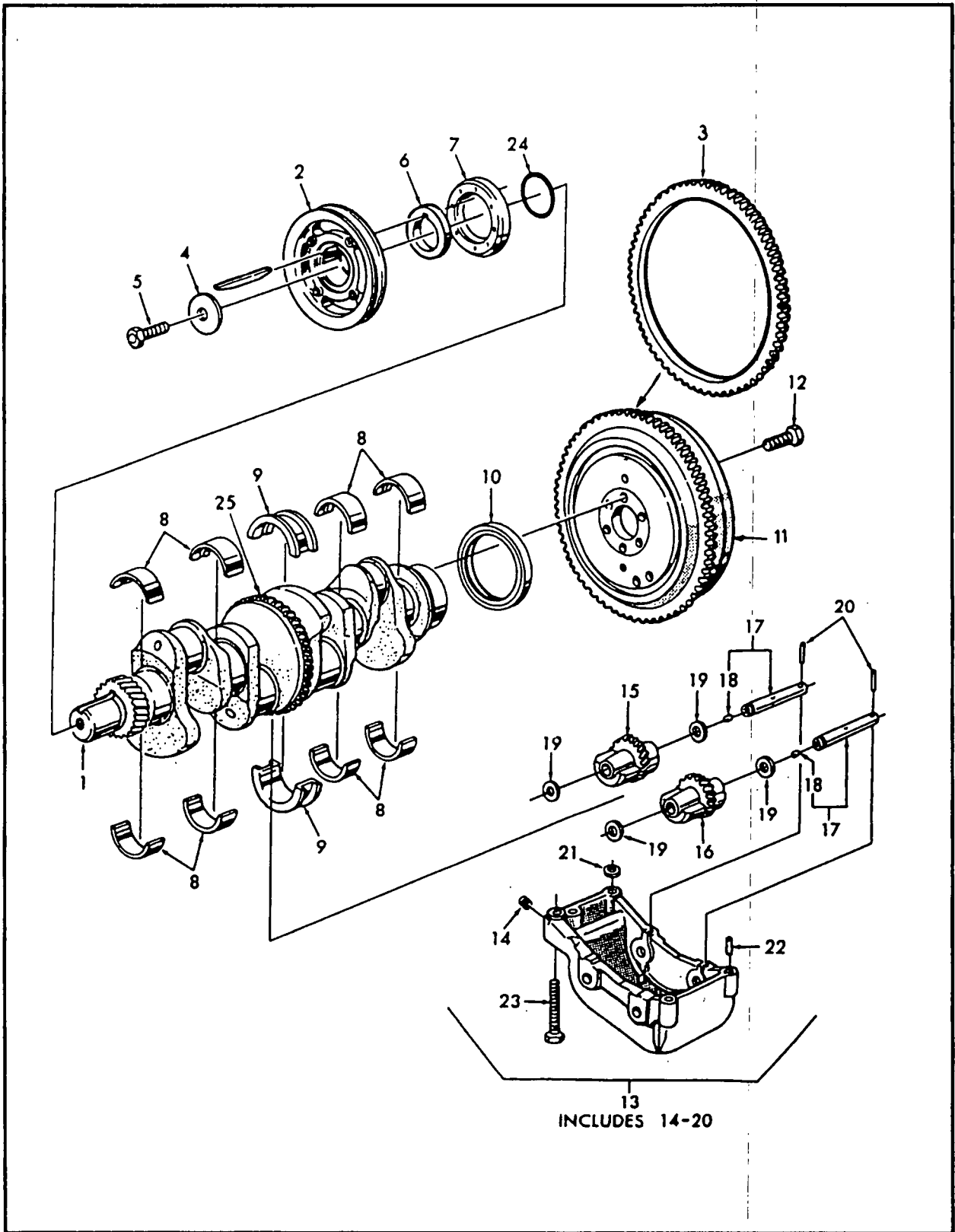
**ENGINE ASSEMBLY. (CYLINDER BLOCK, HEAD, AND RELATED PARTS)**



## ENGINE ASSEMBLY. (CYLINDER BLOCK, HEAD, AND RELATED PARTS)

REFERENCE	GENERAC#	DESCRIPTION	QTY
1	101-96383	CYLINDER HEAD	1
2	102-96383	PLUG, CUP	7
3	103-96383	PLUG, CUP	1
4	104-96383	BOLT	13
5	105-96383	GASKET, CYLINDER HEAD	1
6	106-96383	PLATE, RETAINER	1
7	107-96383	GASKET, RETAINER	1
8	108-96383	BOLT, HEX FLANGE HEAD	12
9	109-96383	SEAL ASSEMBLY	1
0A	100-96383	SHORT BLOCK ASSEMBLY	1
10	100-96383A	CYLINDER BLOCK	1
11	110-96383	PLUG, CUP	1
12	111-96383	PLUG, SOCKET HEX	1
13	112-96383	JET, PISTON OIL	4
14	113-96383	PLUG, CUP	2
15	114-96383	PLUG, PIPE	3
16	115-96383	PLUG, PIPE	2
17	116-96383	PLUG, CUP	AR
18	117-96383	PIN, DOWEL	2
18A	118-96383	PIN, DOWEL	2
19	119-96383	BOLT, SOCKET HEAD	4
1A	120-96383	EXHAUST INSERT (STD)	4
1A	121-96383	EXHAUST INSERT (.010 O.S.)	AR
1A	122-96383	EXHAUST INSERT (.020 O.S.)	AR
1A	123-96383	EXHAUST INSERT (.030 O.S.)	AR
1B	124-96383	INTAKE INSERT (STD)	4
1B	125-96383	INTAKE INSERT (.010 O.S.)	AR
1B	126-96383	INTAKE INSERT (.020 O.S.)	AR
1B	127-96383	INTAKE INSERT (.030 O.S.)	AR
20	128-96383	CLIP	1
21	129-96383	WASHER, FLAT	1
22	130-96383	HYD PUMP CVR GASKET	1
23	131-96383	COVER, HYD. PUMP	1
24	132-96383	OIL PRS. SWITCH ASSEMBLY	1
25	133-96383	PLUG, HEX HEAD	1
26	134-96383	PLUG, HEX HEAD	1
27	135-96383	DOWEL	2
28	136-96383	PLUG, CUP	1
29	137-96383	OIL TEMP SENDER ASY.	1
34	138-96383	TUBE, OIL INDICATOR	1
35	139-96383	INDICATOR OIL ASY.	1
36	140-96383	BOLT	1
37	141-96383	COVER, P.S. PUMP	1
38	142-96383	SEAL, O-RING	1
39	143-96383	BOLT, HEX FLANGE HEAD	2
40	144-96383	CAP, OIL FILTER ASSEMBLY	1
41	145-96383	COVER, FRONT CYLINDER	1
42	146-96383	GASKET, FRONT COVER	1
43	147-96383	BOLT, HEX FLANGE HEAD	4
44	148-96383	BOLT, HEX FLANGE HEAD	2
45	149-96383	BOLT, HEX FLANGE HEAD	8
46	150-96383	NUT, HEX HEAD	2
47	151-96383	PLATE, FRONT COVER	1
48	152-96383	BOLT, HEX HEAD	4
49	153-96383	GASKET, FRONT PLATE	1
50	96662	FLYWHEEL HOUSING	1
51	155-96383	SHIM	1
52	156-96383	SCREW	2
53	157-96383	WASHER	2
54	158-96383	SCREW	4
55	159-96383	WASHER	4

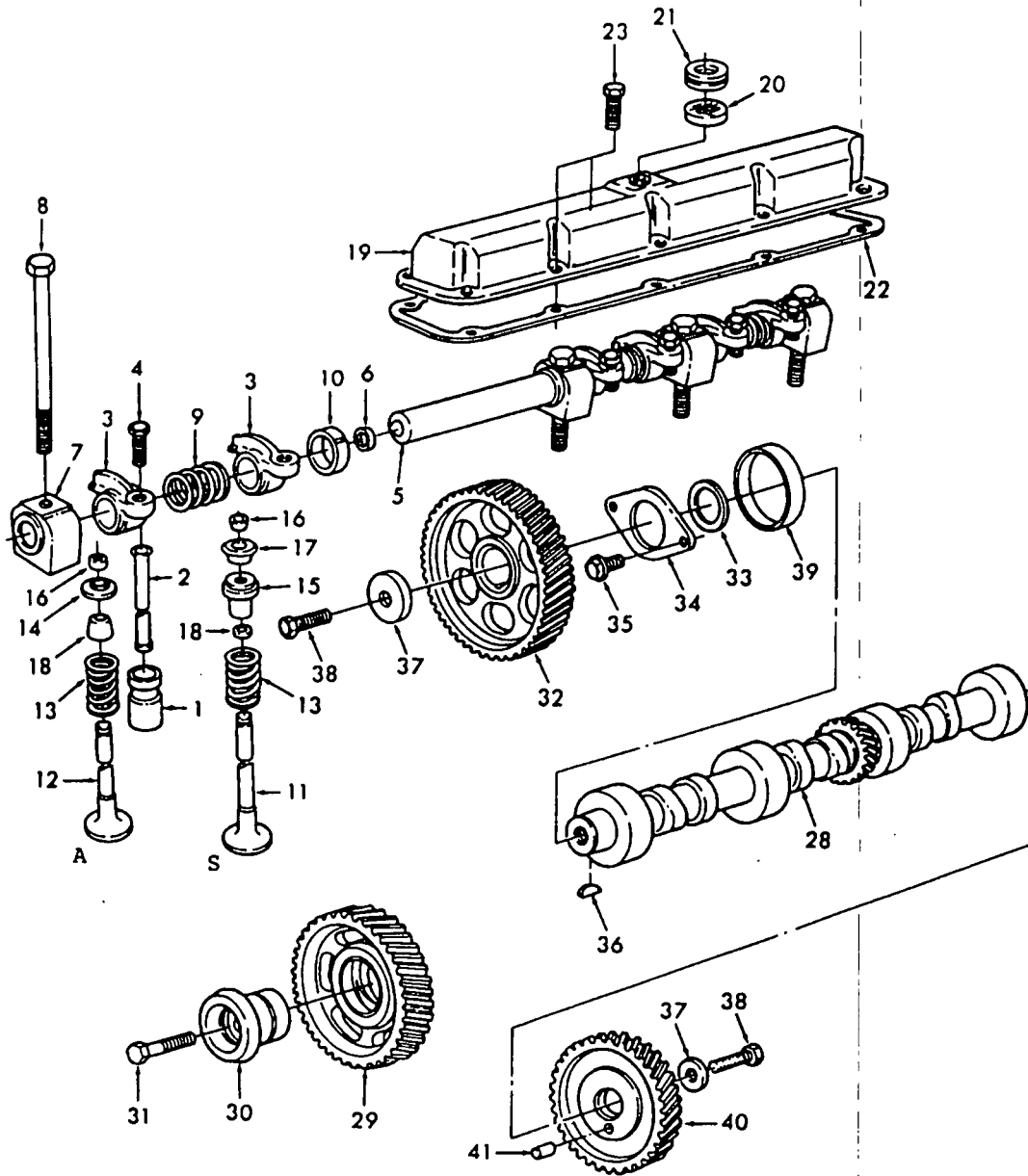
# CRANKSHAFT, FLYWHEEL, AND RELATED PARTS



## CRANKSHAFT, FLYWHEEL, AND RELATED PARTS

REFERENCE#	GENERAC#	DESCRIPTION	QTY
1	160-96383	CRANKSHAFT	1
2	161-96383	DAMPER	1
3	97647	RING GEAR	1
4	163-96383	WASHER, FLAT	1
5	164-96383	BOLT, HEX HEAD	1
6	165-96383	SPACER	1
7	166-96383	SEAL ASSEMBLY	1
8	167-96383	LINER KIT M/B.0508 U.S.	AR
8	168-96383	LINER KIT M/B .254 U.S.	AR
8	169-96383	LINER KIT M/B .508 U.S.	AR
8	170-96383	LINER KIT M/B. .762 U.S.	AR
8	171-96383	LINER KIT M/B 1.016 U.S.	AR
8	172-96383	LINER (STANDARD)	1
9	173-96383	LINER THRST BRG .0508	AR
9	174-96383	LINER THRST BRG .254 U.S.	AR
9	175-96383	LINER THRST BRG .508 U.S.	AR
9	176-96383	LINER THRST BRG .762 U.S.	AR
9	177-96383	LINER THRST BRG 1.016 U.S.	AR
9	178-96383	LINER THRST BRG (STD)	1
10	179-96383	SEAL	1
11	96690	FLYWHEEL ASY.	1
12	96756	BOLT, HEX LOCK	6
13	182-96383	BALANCER	1
14	183-96383	PLUG, SOCKET HEAD	1
15	184-96383	GEAR DRIVE	1
16	185-96383	GEAR DRIVEN	1
17	186-96383	SHAFT	2
18	187-96383	PLUG, HEX SOCKET	2
19	188-96383	WASHER, THRUST 4	
20	189-96383	PIN, COILED SPRING	2
21	190-96383	O-RING	1
22	191-96383	DOWEL	2
23	192-96383	BOLT, LOCK	4
24	193-96383	SEAL, O-RING	1
25	194-96383	GEAR	1

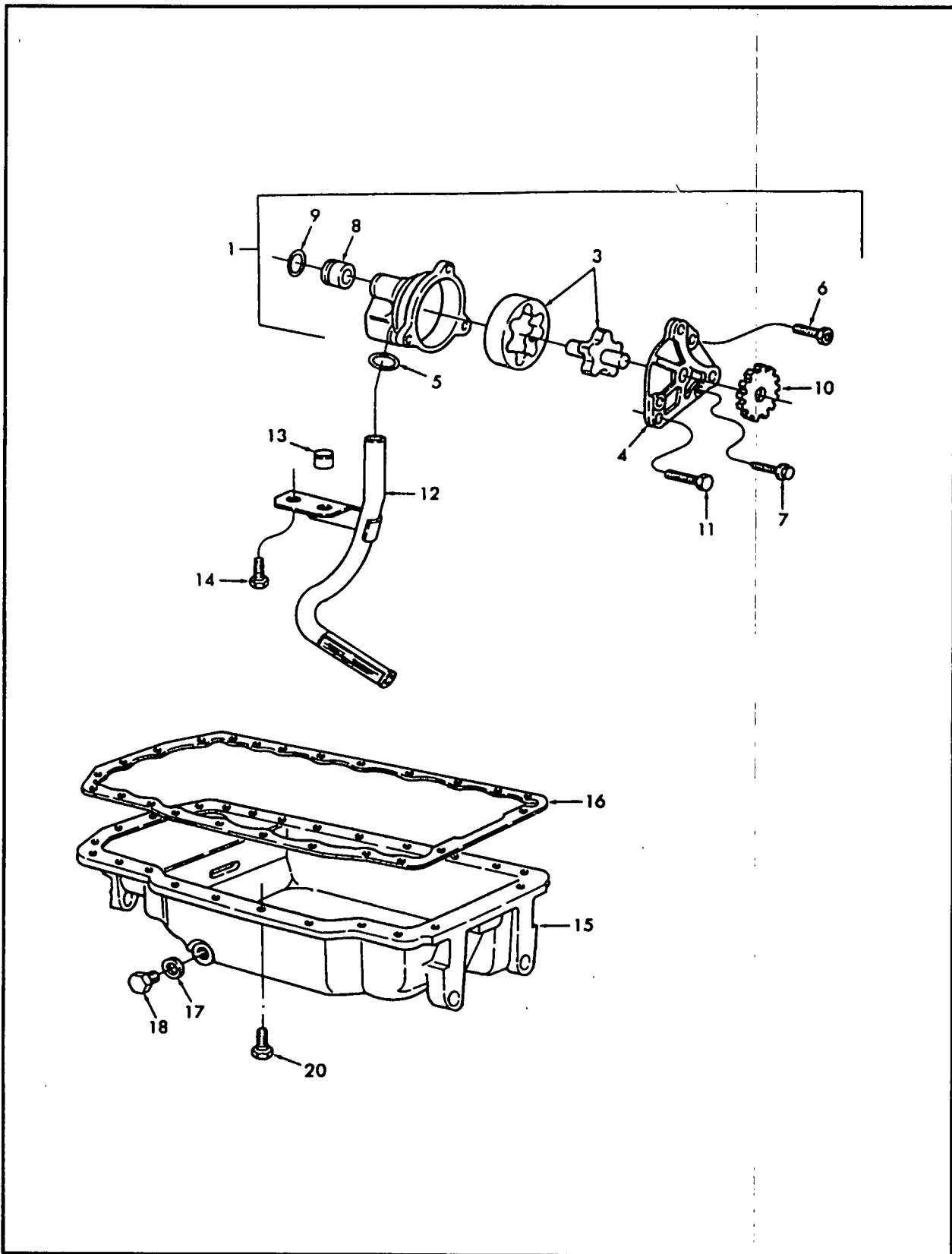
# CAMSHAFT, ROCKER ARM, VALVES & RELATED PARTS



## CAMSHAFT, ROCKER ARM, VALVES & RELATED PARTS

REFERENCE#	GENERAC#	DESCRIPTION	QTY
1	195-96383	TAPPET, VALVE	8
2	196-96383	ROD, PUSH	8
3	197-96383	ARM, EXHAUST	4
3	198-96383	ARM, INTAKE	4
4	199-96383	SCREW, ADJUSTING	8
5	200-96383	SHAFT, ROCKER ARM	1
6	201-96383	PLUG, CUP	2
7	202-96383	SUPPORT	5
8	203-96383	BOLT	5
9	204-96383	SPRING	4
10	205-96383	SPACER	4
11	206-96383	VALVE EXHAUST (STD)	4
11	207-96383	VALVE EXHAUST (.015)	AR
11	208-96383	VALVE EXHAUST (.030)	AR
12	209-96383	VALVE INTAKE (STD)	4
12	210-96383	VALVE INTAKE (.015)	AR
12	211-96383	VALVE INTAKE (.030)	AR
13	212-96383	SPRING, VALVE	8
14	213-96383	RETAINER, INTAKE	4
15	214-96383	RETAINER, EXHAUST	4
16	215-96383	KEY, RETAINER	16
17	216-96383	SLEEVE, EXHAUST	4
18	217-96383	SEAL, VALVE STEM	8
19	218-96383	ROCKER COVER	
20	219-96383	FILTER, VENT TUBE	1
21	220-96383	GROMMET	1
22	221-96383	GASKET, VALVE COVER	1
23	222-96383	BOLT, FLANGE HEAD	10
28	223-96383	CAMSHAFT	1
29	224-96383	GEAR, CAMSHAFT DRIVE	1
30	225-96383	CAMSHAFT GEAR ADAPTER	1
31	226-96383	BOLT, HEX HEAD	1
32	227-96383	GEAR, CAMSHAFT	1
33	228-96383	CAMSHAFT GEAR SPACER	1
34	229-96383	CAMSHAFT THRUST PLATE	1
35	230-96383	SCREW AND WASHER ASY.	2
36	231-96383	KEY, WOODRUFF	1
37	232-96383	WASHER	2
38	233-96383	BOLT, HEX HEAD	2
39	234-96383	BEARING, BALL	3
40	235-96383	GEAR, HYD PUMP DRIVE ASY	1
41	236-96383	PIN	1

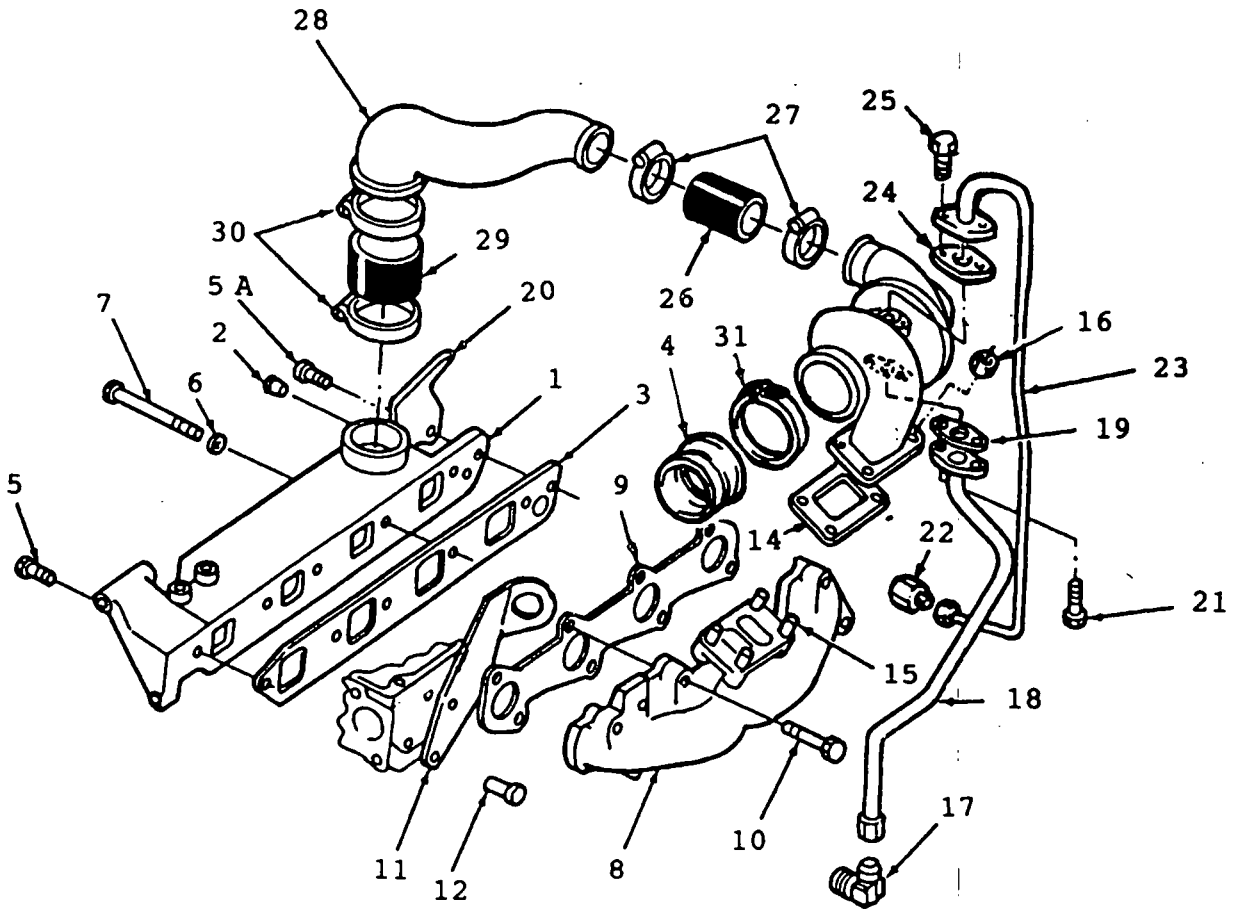
# OIL PUMP & OIL PAN



**OIL PUMP AND OIL PAN**

<b>REFERENCE#</b>	<b>GENERAC#</b>	<b>DESCRIPTION</b>	<b>QTY</b>
1	237-96383	PUMP, OIL ASSEMBLY	1
3	238-96383	ROTOR AND SHAFT ASSEMBLY	1
4	239-96383	COVER	1
5	240-96383	O-RING	1
6	241-96383	BOLT, BUTTON HEAD	1
7	242-96383	BOLT, HEX	2
8	243-96383	SLEEVE, OUTLET	1
9	244-96383	O-RING	1
10	245-96383	GEAR, OIL PUMP DRIVE	1
11	246-96383	BOLT, HEX HEAD	3
12	247-96383	SCREEN AND TUBE PICKUP ASY	1
13	248-96383	PLUG, SOCKET HEAD	1
14	249-96383	BOLT, HEX HEAD	1
15	250-96383	PAN, OIL (CAST)	1
16	251-96383	GASKET, OIL PAN	1
17	252-96383	GASKET, DRAIN PLUG	1
18	253-96383	PLUG, OIL DRAIN	1
20	254-96383	OIL PAN BOLT, HEX HEAD	26

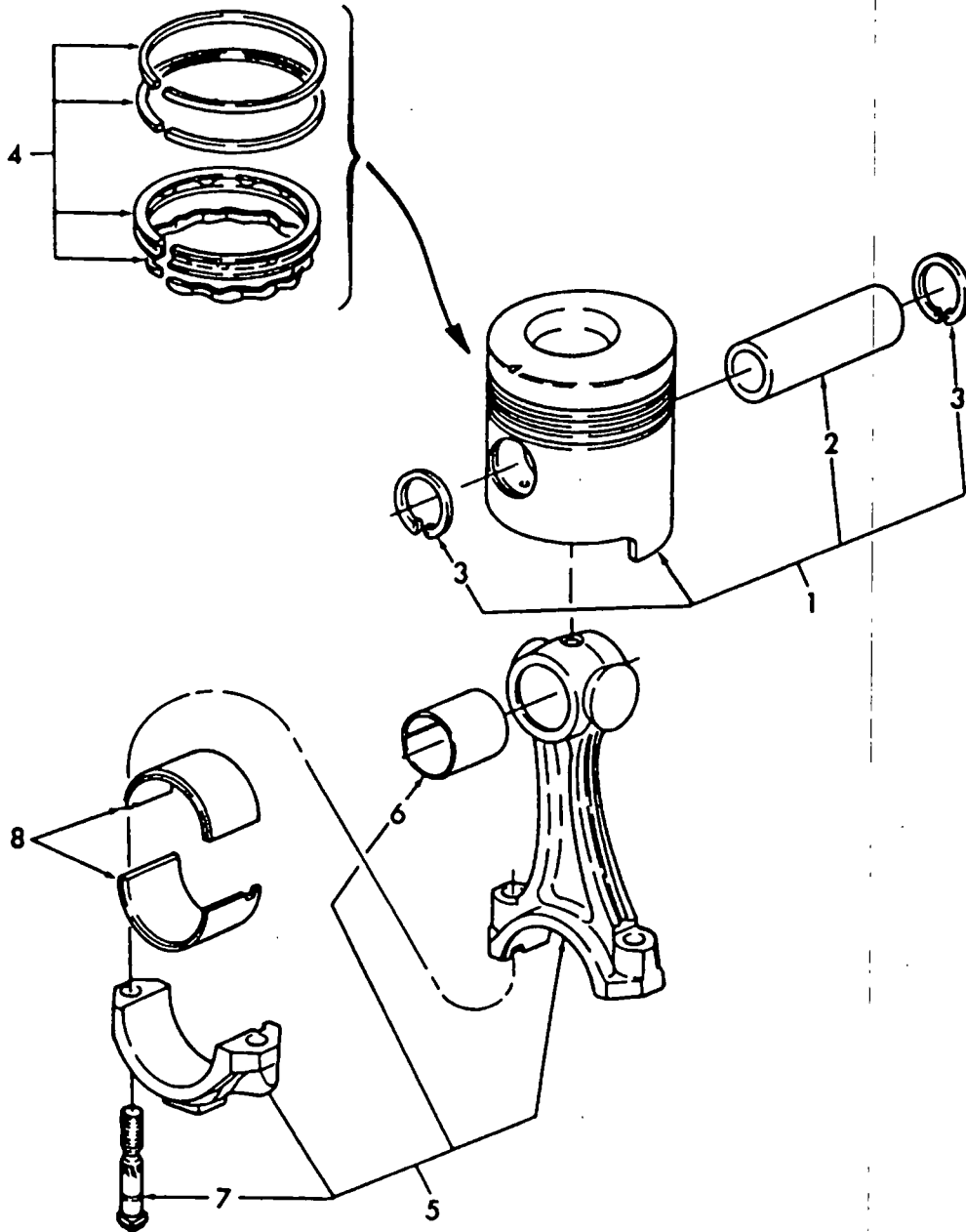
**TURBOCHARGER, MANIFOLD & EXHAUST SYSTEM**



## TURBOCHARGER, MANIFOLD & EXHAUST SYSTEM

REFERENCE#	GENERAC#	DESCRIPTION	QTY
1	255-96383	MANIFOLD, INTAKE	1
2	256-96383	PLUG, HEX HEAD	1
3	257-96383	GASKET, INTAKE	1
4	258-96383	FLANGE	1
5	259-96383	BOLT, HEX FLANGE HD	3
6	260-96383	SEAL, O-RING	3
7	261-96383	BOLT, HEX FLANGE HD	3
8	262-96383	MANIFOLD, EXHAUST	1
9	263-96383	GASKET, EXHAUST\	1
10	264-96383	BOLT, HEX FLANGE HEAD	8
11	265-96383	PLATE, LIFT PLATE	1
12	266-96383	BOLT, HEX HEAD	2
14	180-96383	GASKET, CHARGER	1
15	267-96383	STUD	4
16	268-96383	NUT	4
17	269-96383	ELBOW ASSEMBLY	1
18	270-96383	TUBE, RETURN	1
19	271-96383	GASKET	1
20	272-96383	PLATE, LIFT REAR ASSEMBLY	1
21	273-96383	BOLT, HEX HEAD	2
22	274-96383	CONNECTOR	1
23	275-96383	TUBE, OIL SUPPLY	1
24	276-96383	WASHER, FLAT COPPER	2
25	277-96383	BOLT	2
26	278-96383	HOSE	1
27	279-96383	CLAMP	2
28	97658	TUBE	1
29	281-96383	HOSE	1
30	282-96383	CLAMP	2
31	96694	COLLAR	2
5A	284-96383	BOLT	2

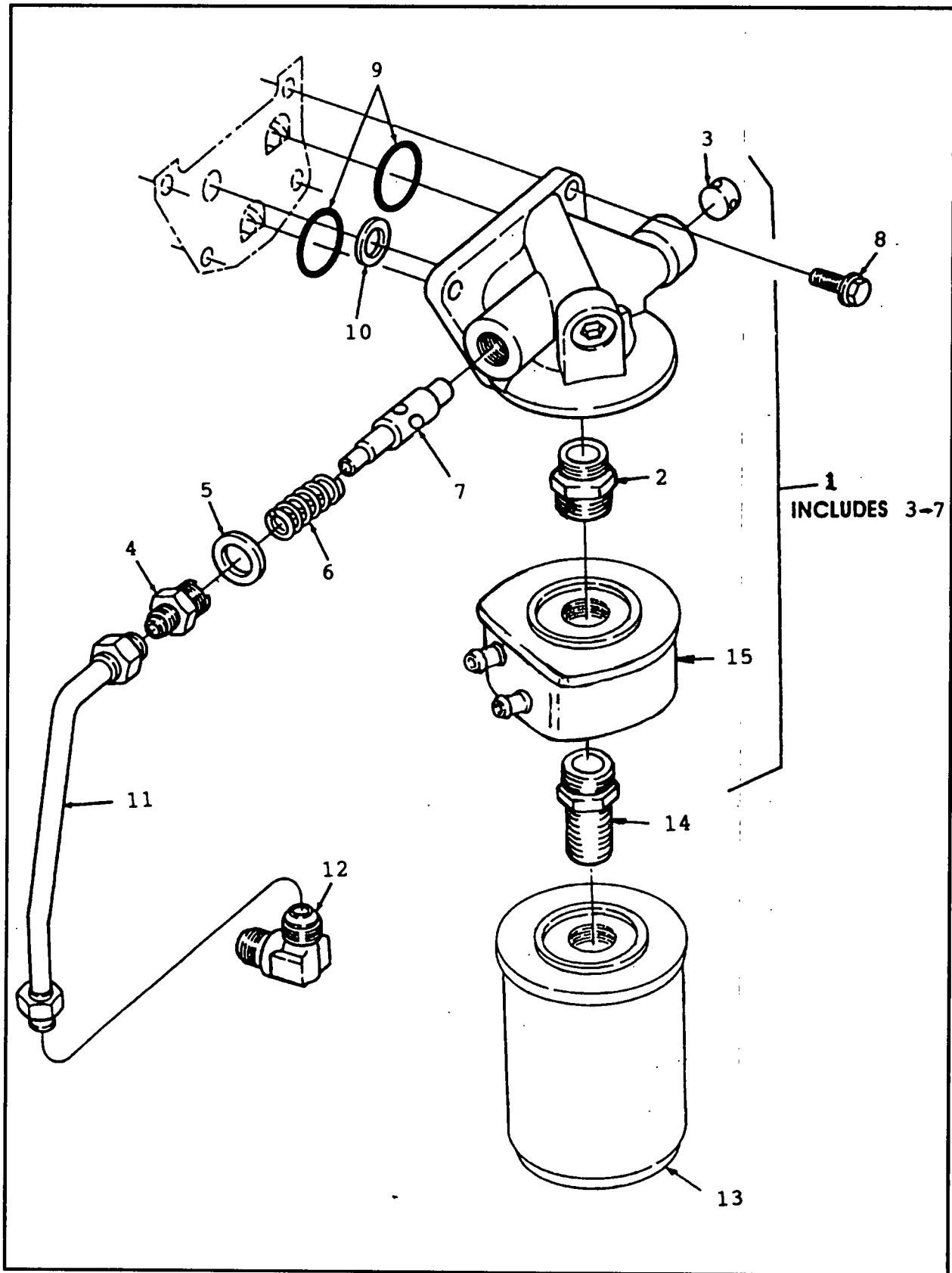
# PISTON & CONNECTING RODS



## PISTON & CONNECTING RODS

REFERENCE#	GENERAC#	DESCRIPTION	QTY
1	285-96383	PISTON/PIN & RETAINER	4
1	286-96383	PISTON/PIN & RETAINER	AR
1	287-96383	PISTON/PIN & RETAINER	AR
1	288-96383	PISTON/PIN & RETAINER	AR
1	289-96383	PISTON/PIN & RETAINER	AR
2	290-96383	PISTON PIN (TURBO ONLY)	4
3	291-96383	PIN RETAINER (TURBO ONLY)	8
4	292-96383	KIT, PISTON RING (TURBO) (STD)	4
4	293-96383	KIT, PISTON RING (TURBO .020 O.S.)	AR
4	294-96383	KIT, PISTON RING (TURBO .030 O.S.)	AR
4	295-96383	KIT, PISTON RING (TURBO .040 O.S.)	AR
5	296-96383	CONNECTING ROD (TURBO ONLY)	4
6	297-96383	CON-ROD BUSHING (TURBO ONLY)	4
7	298-96383	CON-ROD BOLT	8
8	299-96383	CON-ROD BEARING KIT (TURBO STD)	4
8	300-96383	CON-ROD BRG KIT (TURBO .002 U.S.)	AR
8	301-96383	CON-ROD BRG KIT (TURBO .010 U.S.)	AR
8	302-96383	CON-ROD BRG KIT (TURBO .020 U.S.)	AR
8	303-96383	CON-ROD BRG KIT (TURBO .030 U.S.)	AR
8	304-96383	CON-ROD BRG KIT (TURBO .040 U.S.)	AR
8	305-96383	KIT, CON-ROD BEARING (STD)	8

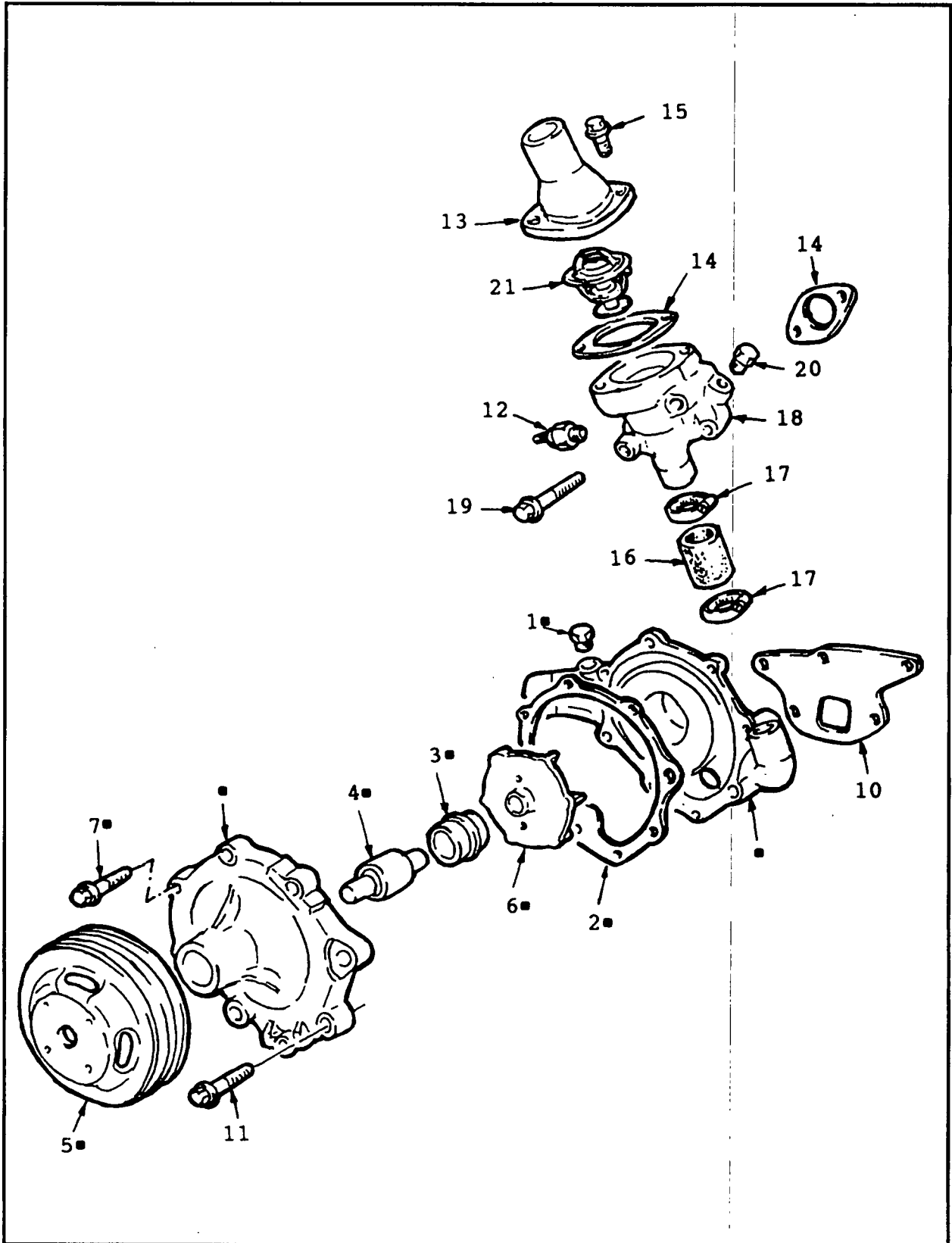
# OIL FILTER SUPPORT



## OIL FILTER SUPPORT

REFERENCE#	GENERAC#	DESCRIPTION	QTY
1	306-96383	SUPPORT	1
2	307-96383	INSERT	1
3	308-96383	PLUG, SOCKET HEX HEAD	3
4	309-96383	CONNECTOR	1
4	310-96383	PLUG	1
5	311-96383	SEAL, O-RING	1
6	312-96383	SPRING	1
7	313-96383	OIL PRESSURE RELIEF VALVE	1
8	314-96383	BOLT, FLANGE HEAVY DUTY	4
9	315-96383	SEAL, O-RING	2
10	380-96383	SEAL, O-RING	1
11	317-96383	TUBE, RELIEF VALVE/VENT ASY.	1
12	97050	ELBOW ASSEMBLY	1
13	96770	OIL FILTER ASSEMBLY	1
14	320-96383	NIPPLE	1
15	321-96383	HEAT EXCHANGER	1

# WATER PUMP & RELATED PARTS

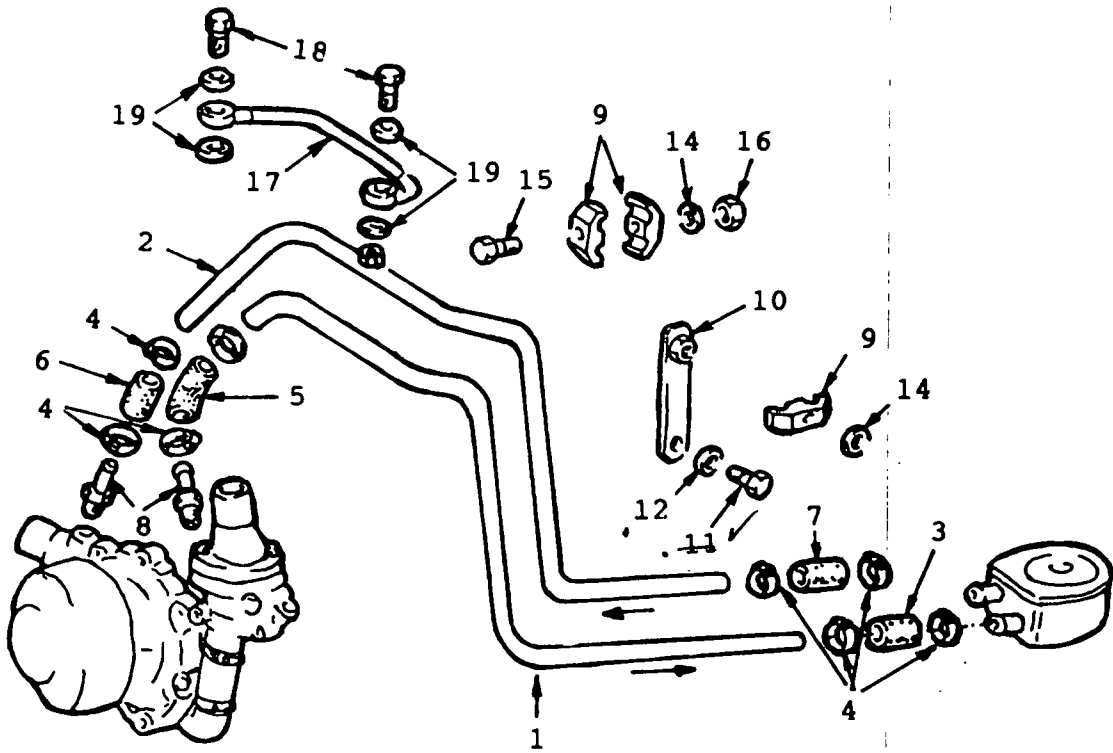


## WATER PUMP AND RELATED PARTS

REFERENCE#	GENERAC#	DESCRIPTION	QTY
0	322-96383	WATER PUMP ASSEMBLY	1
1	*	PLUG, HEX HEAD	*
2	324-96383	GASKET	1
3	*	SEAL & SEAT ASSEMBLY	*
4	*	BEARING ASSEMBLY	*
5	*	PULLEY	*
6	*	IMPELLER	*
7	329-96383	BOLT	4
10	330-96383	GASKET, WATER PUMP	1
11	331-96383	BOLT, FLANGE HD.	4
12	332-96383	SENDER, WATER TEMP, ASY.	1
13	333-96383	CONNECTOR, WATER OUTLET	1
14	334-96383	GASKET, WATER OUTLET	2
15	335-96383	BOLT	2
16	336-96383	HOSE, WATER BYPASS	1
17	337-96383	CLAMP	2
18	338-96383	HOUSING, THERMOSTAT	1
19	339-96383	BOLT, HEX HEAD	2
20	340-96383	PLUG	1
21	341-96383	THERMOSTAT ASSEMBLY	1

\*not available individually.

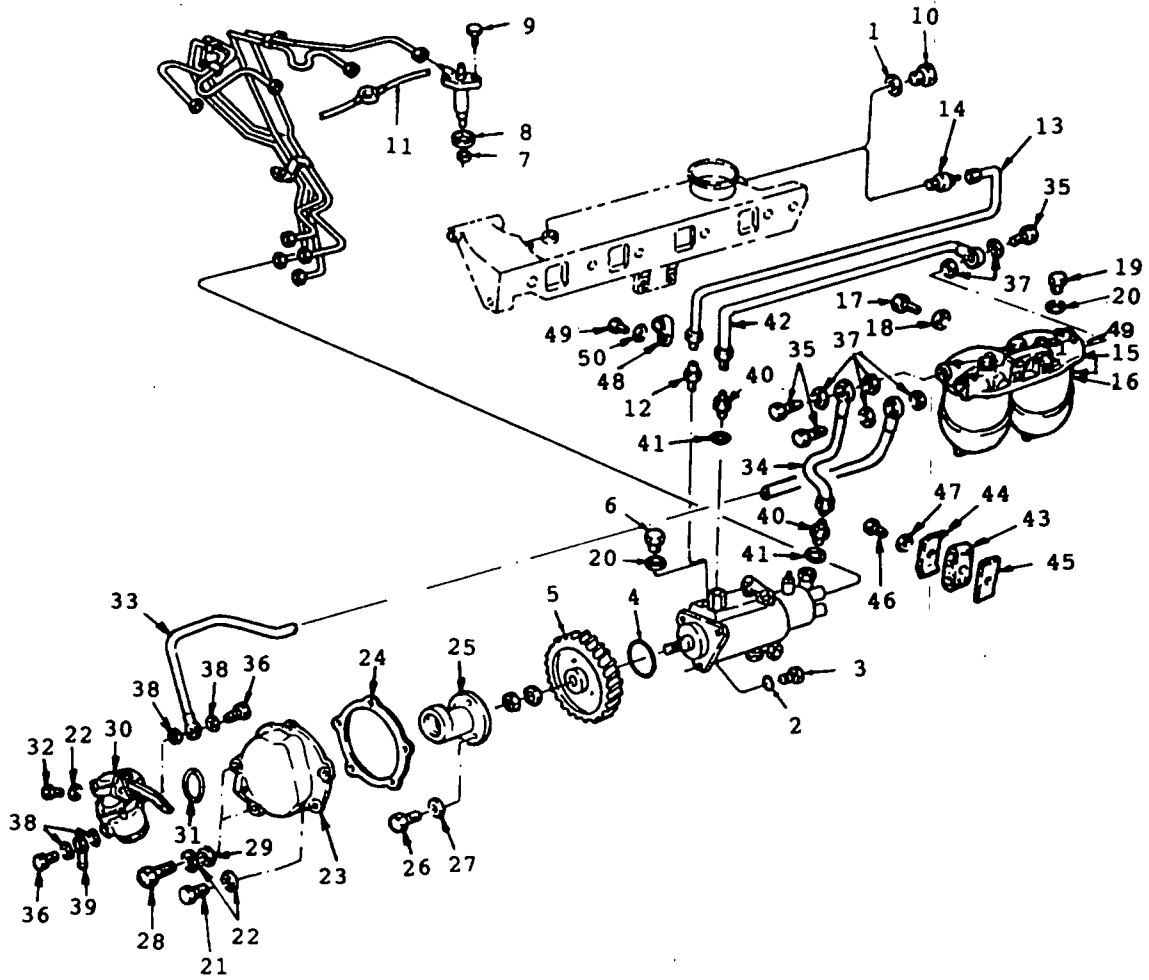
# WATER LINES



**WATER LINES**

<b>REFERENCE#</b>	<b>GENERAC#</b>	<b>DESCRIPTION</b>	<b>QTY</b>
1	96758	TUBE	1
2	96759	TUBE	1
3	344-96383	SLEEVE	1
4	345-96383	COLLAR	8
5	346-96383	SLEEVE	1
6	347-96383	SLEEVE	1
7	348-96383	SLEEVE	1
8	349-96383	NIPPLE	2
9	96766	CLAMP	4
10	96767	BRACKET	1
11	352-96383	SCREW	1
12	353-96383	WASHER	1
13	354-96383	SCREW	1
14	355-96383	WASHER	2
15	356-96383	SCREW	1
16	357-96383	NUT	1
17	358-96383	TUBE	1
18	359-96383	PIPE UNION	2
19	360-96383	GASKET	4

# FUEL SYSTEM

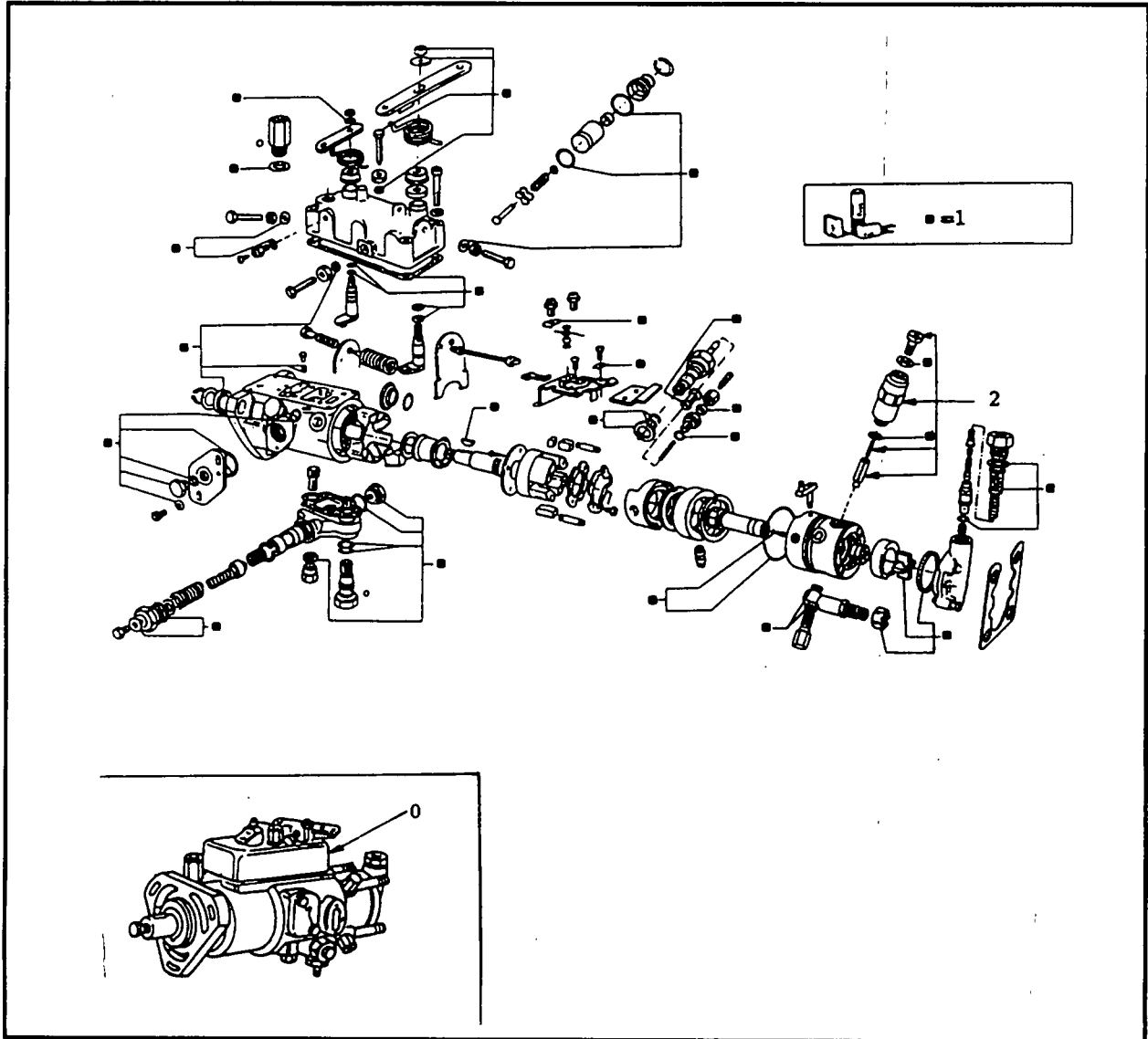


## FUEL SYSTEM

REFERENCE#	GENERAC#	DESCRIPTION	QTY
1	361-96383	GASKET	1
2	362-96383	WASHER, FLAT	1
3	363-96383	BOLT, HEX HEAD LOCKING	3
4	364-96383	SEAL, O-RING	1
5	365-96383	GEAR	1
6	366-96383	PLUG	1
7	367-96383	WASHER, SEALING	4
8	368-96383	SEAL	4
9	369-96383	BOLT, HEX HEAD	8
10	370-93383	PLUG	1
11	371-96383	TUBE, LEAK OFF ASSEMBLY	1
12	372-96383	CONNECTOR	1
13	373-96383	TUBE, MANIFOLD HEATER IN. ASY.	1
14	374-96383	PLUG, MANIFOLD HEATER ASSEMBLY	1
15	375-96383	FUEL FILTER ASSEMBLY	1
16	376-96383	FILTER CARTRIDGE	2
17	377-96383	SCREW	2
18	378-96383	WASHER	2
19	379-96383	PLUG	1
20	380-96383	GASKET	2
21	381-96383	SCREW	3
22	382-96383	WASHER	7
23	383-96383	COVER	1
24	384-96383	GASKET	1
25	385-96383	SLEEVE	1
26	386-96383	SCREW	3
27	387-96383	WASHER	3
28	388-96383	SCREW	2
29	389-96383	SPACER	2
30	390-96383	FEED PUMP	1
31	391-96383	GASKET	1
32	392-96383	SCREW	2
33	393-96383	TUBE	1
34	394-96383	TUBE	1
35	395-96383	PIPE UNION	3
36	396-96383	PIPE UNION	2
37	397-96383	GASKET	6
38	398-96383	GASKET	4
39	399-96383	CONNECTION	1
40	400-96383	CONNECTION	2
41	401-96383	GASKET	2
42	402-96383	TUBE	1
43	403-96383	PAD	1
44	404-96383	CLAMP	1
45	405-96383	PLATE	1
46	406-96383	SCREW	1
47	407-96383	WASHER	1
48	408-96383	RETAINER	1
49	97474	BANJO FITTING (M14)	1

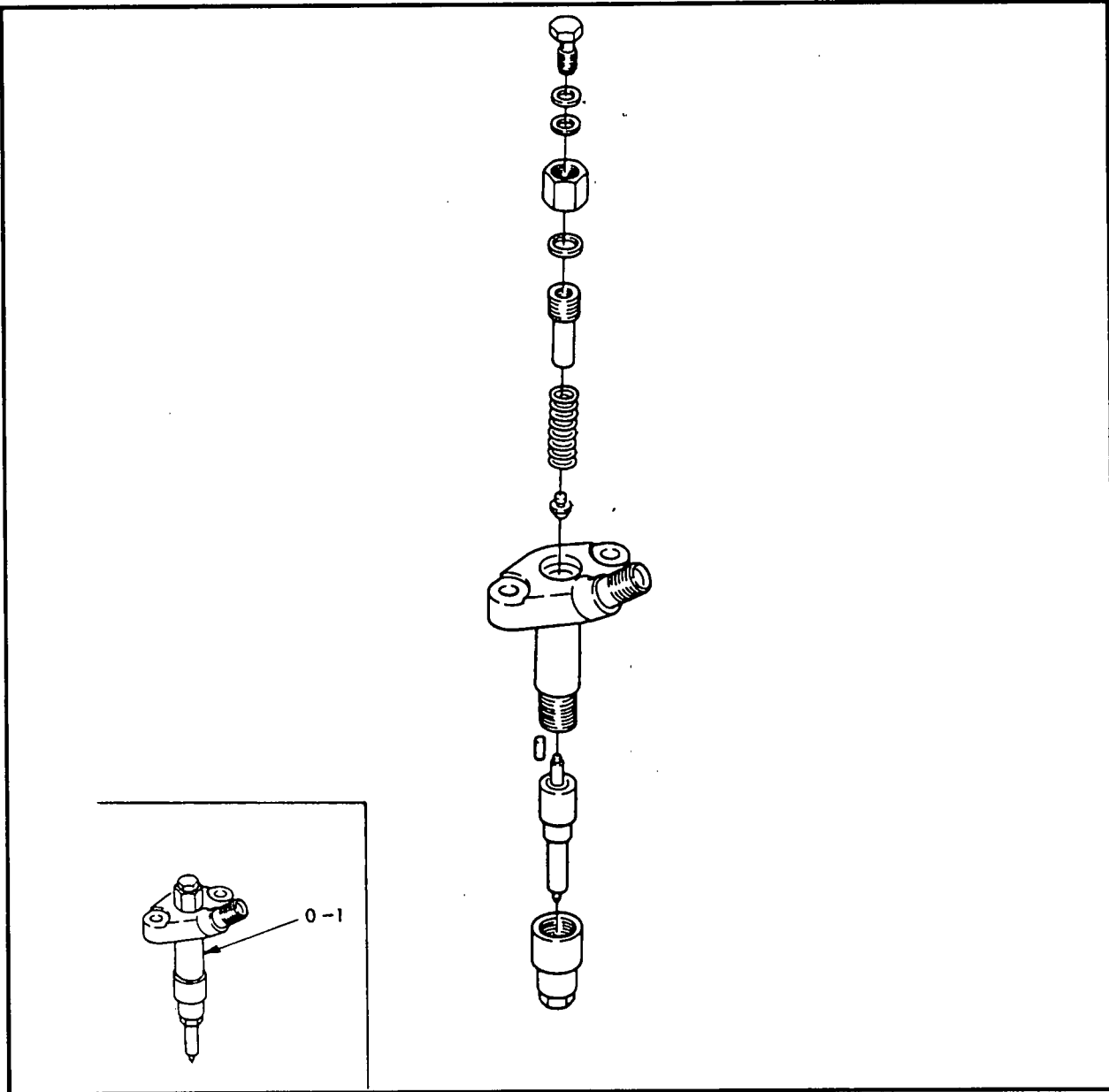
## FUEL INJECTION PUMP ASSEMBLY

REFERENCE#	GENERAC#	DESCRIPTION	QTY
0	411-96383	INJECTION PUMP	1
1	412-96383	REBUILD KIT	1
2	413-96383	SOLENOID	1



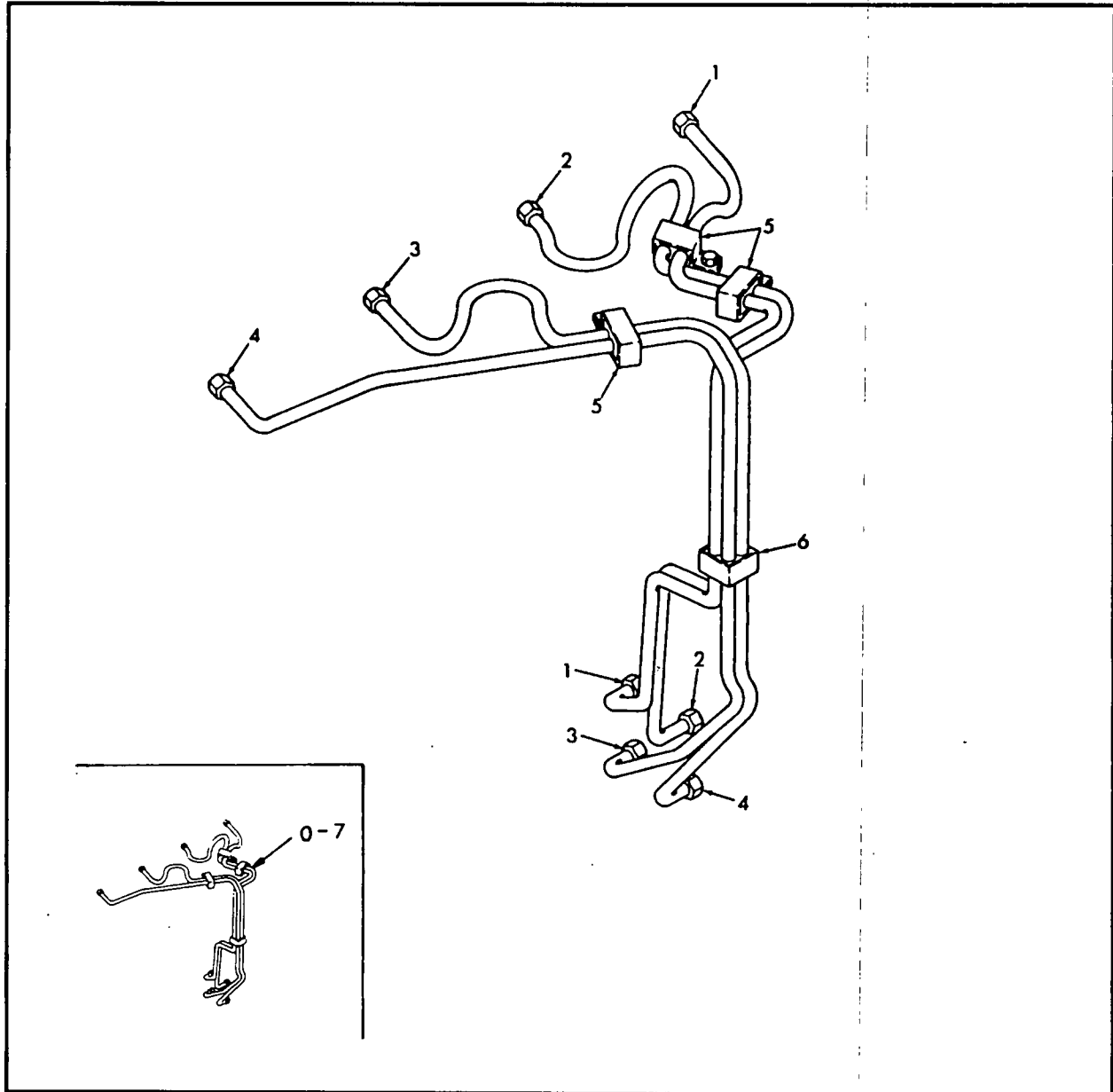
# FUEL INJECTOR ASSEMBLY

REFERENCE#	GENERAC#	DESCRIPTION	QTY
1	414-96383	FUEL INJECTOR ASSEMBLY	4



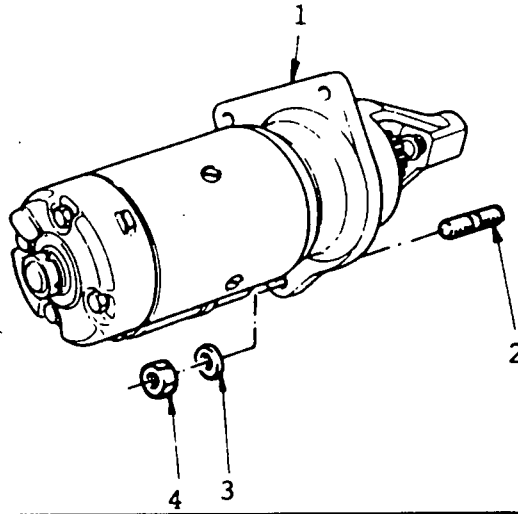
### TUBE AND CLAMP ASSEMBLY

REFERENCE#	GENERAC#	DESCRIPTION	QTY
1	415-96383	# 1 CYLINDER TUBE	1
2	416-96383	# 2 CYLINDER TUBE	1
3	417-96383	# 3 CYLINDER TUBE	1
4	418-96383	# 4 CYLINDER TUBE	1
5	419-96383	CLAMP ASSEMBLY	1
6	420-96383	CLAMP ASSEMBLY	4
7	421-96383	TUBE AND CLAMP ASSEMBLY	1



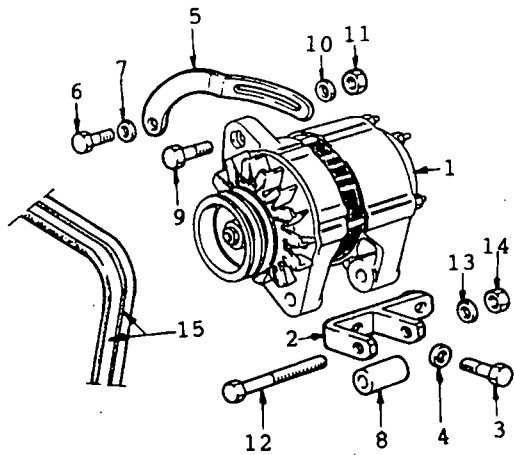
## STARTER

REFERENCE#	GENERAC#	DESCRIPTION	QTY
1	95281	STARTER MOTOR ASSEMBLY	1
2	96769	STUD	3
3	46526	WASHER	3
4	45772	NUT	3

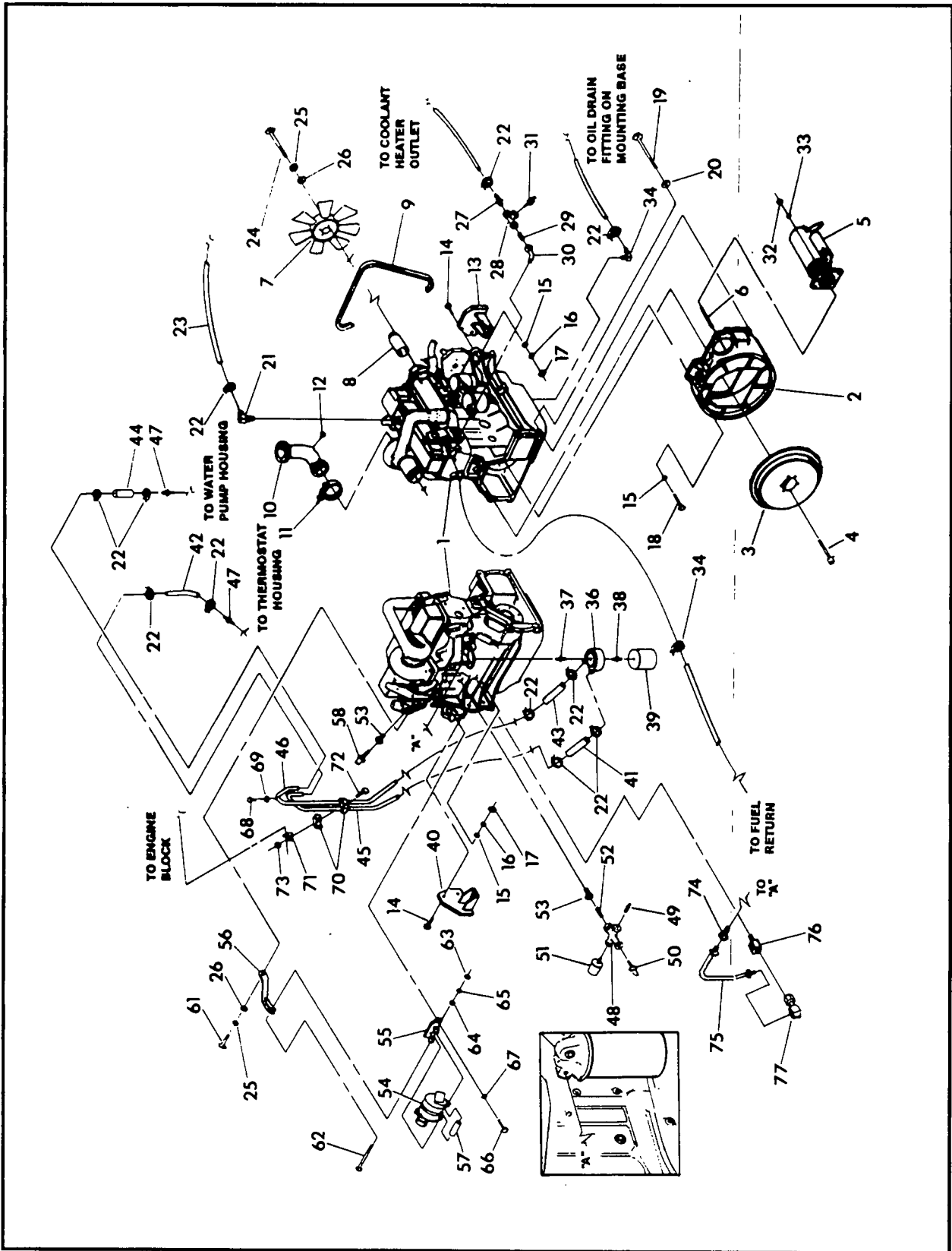


## ALTERNATOR

REFERENCE#	GENERAC#	DESCRIPTION	QTY
1	95278	ALTERNATOR ASSEMBLY	1
2	96692	SUPPORT BRACKET	1
5	96691	BELT ADJUSTMENT BRACKET	1
8	96781	SPACER	1
15	95280	V-BELT	1



# ENGINE FINISH PARTS



## ENGINE FINISH PARTS

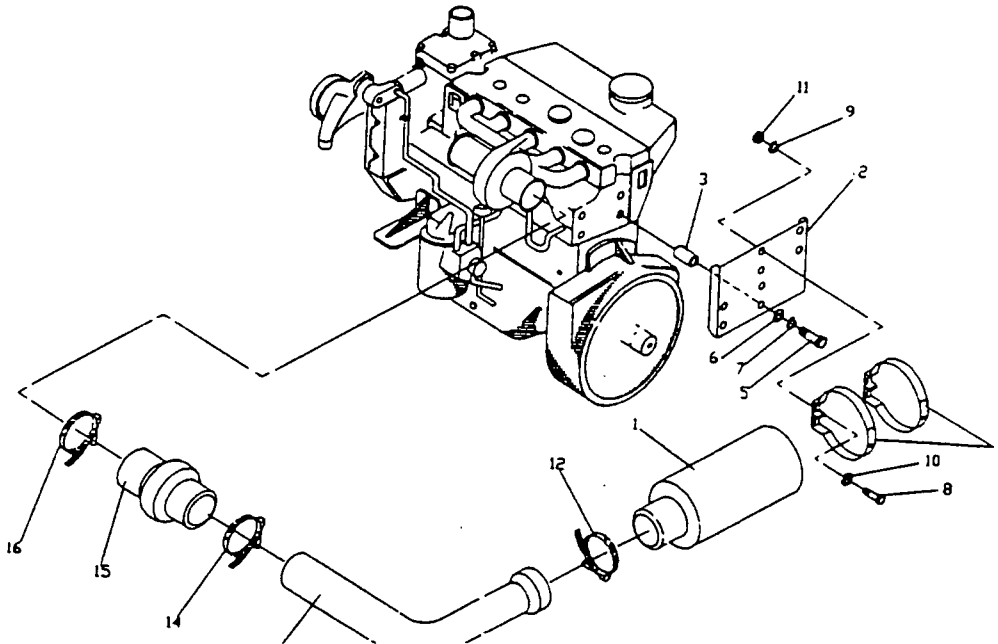
REFERENCE#	GENERAC#	DESCRIPTION	QTY
1	96383	ENGINE 5.0 LITRE DIESEL (80 KW)	1
2	96662	FLYWHEEL HOUSING (REWORK)	1
3	96690	FLYWHEEL W/ RING GEAR	1
4	96756	BOLTS, FLYWHEEL MOUNTING	6
5	95281	STARTER	1
6	96769	STUD, STARTER M1-1.5	3
7	95262	FAN, COOLING (18 IN.)	1
8	93055	SPACER, FAN	1
9	95280	V-BELT	1
10	96693	EXHAUST, ELBOW	1
11	96694	V-BAND CLAMP, EXHAUST ELBOW	1
12	96757	PLUG, EXHAUST ELBOW	1
13	95261	MOUNTING FOOT, R.H.	1
14	96384	CAPSCREW, HEX HD. 3/4"-10 X 2-1/2"	4
15	45900	FLAT WASHER, 3/4"	6
16	23171	LOCKWASHER 3/4"	4
17	23170	HEX NUT 3/4"-10	4
18	96387	CAPSCREW SOCKET HD. 3/4-16X1-3/4	2
19	96388	CAPSCREW HEX HD. M16-2X60MM	4
20	22247	FLAT WASHER 5/8"	4
21	59412	BARBED 90DEG. 5/8"X3/4 NPT	1
22	57822	CLAMP, HOSE # 8 SIZE	10
23	57448	HOSE 5/8 I.D X 42 IN.	1
24	36287	CAPSCREW, HEX HEAD 5/16"-24X4 IN.	4
25	22129	LOCKWASHER, 5/16"	5
26	22145	FLATWASHER, 5/16"	5
27	44118	BARBED STRAIGHT 5/8"X1/2 NPT	1
28	30416	PIPE TEE 1/2 NPT	1
29	30985	CLOSE NIPPLE 1/2" NPT	1
30	49611	REDUCING ST ELBOW 1/2 NPT-3/8NPT	1
31	35606	SWITCH, HIGH WATER TEMP	1
32	45772	HEX NUT M10-1.5	4
33	46526	LOCK WASHER M10	4
34	87801	FITTING 3/4-16X1/2" BARBED	1
35	40173	CLAMP HOSE # 5.5	1
36	96765	OIL COOLER	1
37	96771	INSERT UPPER OIL COOLER	1
38	96772	INSERT, LOWER OIL COOLER	1
39	96770	OIL FILTER	1
40	95260	MOUNTING FOOT L.H.	1
41	96760	HOSE, FEED INTO OIL COOLER	1
42	96761	HOSE, FEED INTO THERMOSTAT HSG.	1
43	96762	HOSE, RETURN INTO OIL COOLER	1
44	96763	HOSE RETURN INTO WTR PMP HSG.	1
45	96758	TUBE, OIL COOLER FEED	1
46	96759	TUBE, OIL COOLER RETURN	1
47	96764	PIPE NIPPLE, WATER HOUSING	2
48	62158	1/8" NPT CROSS	1
49	26073	PIPE PLUG 1/8" NPT	1
50	60108	SWITCH, OIL PRESSURE	1
51	53666	SENDER, OIL PRESSURE	1
52	35578	CLOSE NIPPLE 1/8 NPT	1
53	35579	REDUCER 1/4" NPT- 1/8 NPT	2
54	95278	ALTERNATOR, DC	1
55	96692	DC ALT. MOUNTING BRACKET	1
56	96691	DC ALT. TENSIONER BRACKET	1
57	96781	SPACER, DC ALTERNATOR MTG.	1
58	53667	SENDER, COOLANT TEMPERATURE	1
60	59981	CAPSCREW, HEX HD M10-1.5X30mm	1

CONTINUED ON NEXT PAGE

**ENGINE FINISH PARTS (cont.)**

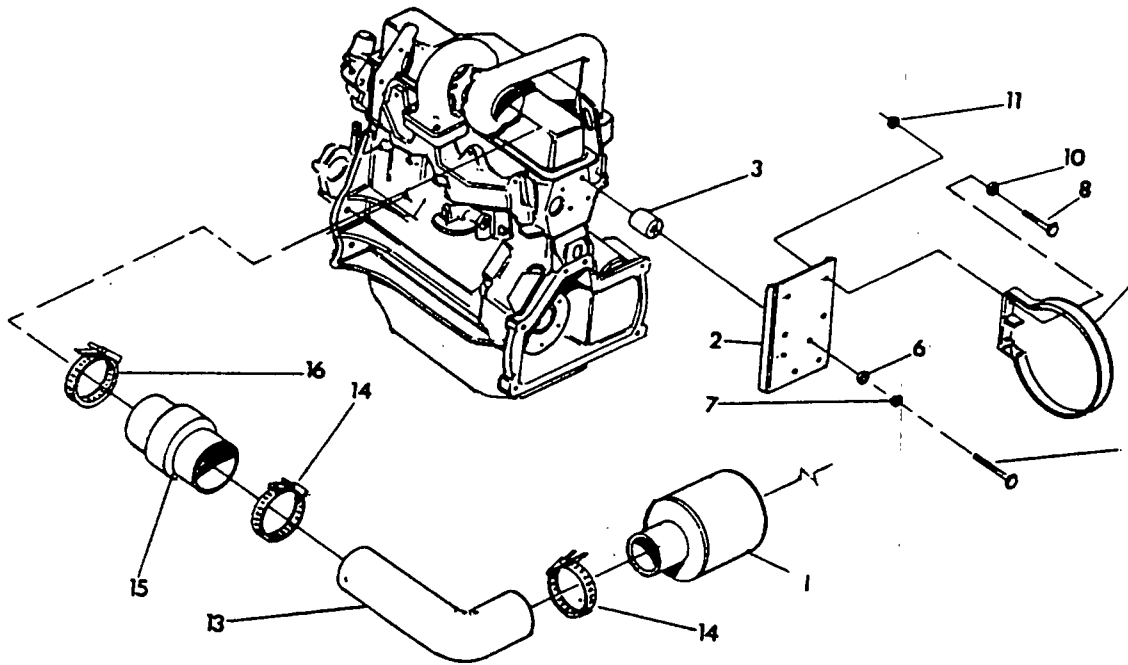
<b>REFERENCE#</b>	<b>GENERAC#</b>	<b>DESCRIPTION</b>	<b>QTY</b>
61	22142	CAPSCREW, HEX HD. 5/16-18X3/4"	1
62	53556	CAPSCREW, HEX HD. M12-1.75X130	1
63	45773	HEX NUT M12-1.75	1
64	49808	FLAT WASHER M12	1
65	51769	LOCKWASHER M12	1
66	22238	CAPSCREW, HEX HD. 3/8-16X1"	2
67	22237	LOCKWASHER-3/8"	2
68	96860	PLUG, OIL COOLER TUBE	1
69	96859	GASKET, COPPER WASHER	1
70	96766	TUBE CLAMP	4
71	96767	TUBE CLAMP BRACKET	1
72	22283	CAPSCREW, HEX HD. 5/16-18X1-1/2"	1
73	22259	HEX NUT 5/16-18	2
74	96986	FITTING, CONNECTOR	1
75	96987	TUBE, RELIEF VALVE VENT	1
76	96988	FITTING, DUAL DRAIN	1
77	97050	FITTING, ELBOW	1

## AIR CLEANER ASSEMBLY WITH 7-3/4" O.D. FILTER (EARLY)



REFERENCE#	GENERAC#	DESCRIPTION	QTY
1	90625	AIR FILTER ELEMENT (7-3/4" O.D.)	1
2	95309	BRACKET, AIR CLEANER	1
3	95310	SPACER	4
4	90624	CLAMP, MOUNTING 7-3/4"	2
5	22368	CAPSCREW HEX HEAD 7/16"X2-1/2"	4
6	22250	WASHER, FLAT 7/16"	4
7	22302	WASHER, LOCK 7/16"	4
8	49814	CAPSCREW, HEX HD M10-1.5X25mm	4
9	46526	WASHER, LOCK M10	4
10	22131	WASHER, FLAT M10	4
11	45772	CLAMP, HOSE # 64	1
13	95311	TUBE, AIR CLEANER	1
14	66212	CLAMP, HOSE # 52	1
15	57629	REDUCERHUMP HOSE (3"-2-1/2")	1
16	39294	CLAMP, HOSE # 44	1

## AIR CLEANER ASSEMBLY WITH 8-1/2" O.D. FILTER (LATE)



REFERENCE#	GENERAC#	DESCRIPTION	QTY
1	90749	AIR FILTER ASSEMBLY (8-1/2" O.D.)	1
2	97454	BRACKET, AIR CLEANER	1
3	95310	SPACER	4
4	73354	CLAMP, MOUNTING	1
5	22368	CAPSCREW HEX HD 7/16-14X2-1/2"	4
6	22250	WASHER, FLAT 7/16"	4
7	22302	WASHER, LOCK 7/16"	4
8	51756	CAPSCREW, HEX HD M10-1.5, LOCK	2
10	49809	WASHER, FLAT M10	2
11	52859	HEX NUT, M10-1.5, LOCKING	2
13	95304	TUBE, AIR CLEANER, 3" O.D.	1
14	66212	CLAMP, HOSE # 52	2
15	57629	REDUCER HUMP HOSE, 3"-2-1/2"	1
16	39294	CLAMP, HOSE # 44	1