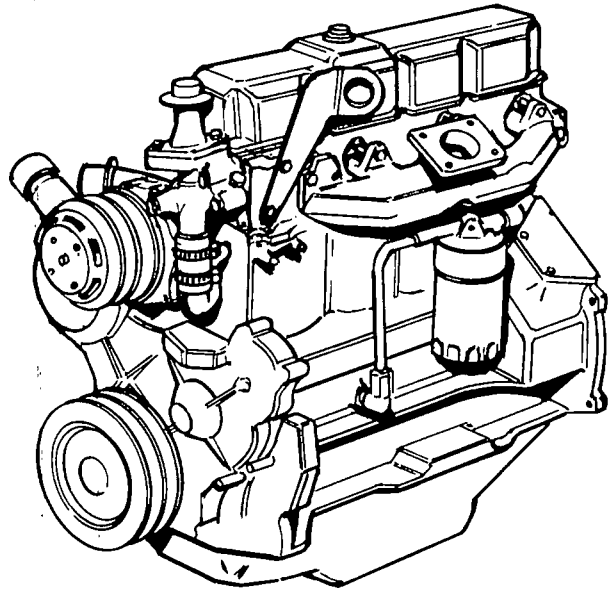


PB50002D

GENERAC
One-Stop Service



5.0

SERIES TWO

DIESEL

**PARTS
MANUAL**

P.O. BOX 8 WAUKESHA WI. 53187

PHONE: (414) 544-4811 / FAX: (414) 544-0179

PRINTED IN U.S.A.

ISSUED: 04/01/97



CONTACT THE **CERTIFIED CENTRAL** DEALER NEAREST YOU

FOR FAST, FRIENDLY, CONVENIENT

"ONE STOP SERVICE"

A/C Energy
(IL, WI, N.W. corner of IN, Counties of Lake, Porter,
La Porte, & St. Joseph)
3129 Louis Sherman Drive
Steger, IL 60475
Parts: (800) 800-0822
Phone: (708) 758-2007
Fax: (708) 758-2031

Certified Electrical Distributors
(NC, SC, GA, TN)
7715 Park Place Road
York, SC 29745
Parts: (800) 843-9103
Phone: (803) 684-0085
Fax: (803) 684-1228

Clifford Power Systems
(KS OK, AR, MO, TX North of I-20)
9310 East 46th Street North
Tulsa, OK 74117
Parts: (800) 324-0066
Phone: (918) 836-0066
Fax: (918) 836-0094

EGN Distributing
(AL, FL Panhandle)
2805 6th Avenue South
Birmingham, AL 35233
Parts: (800) 824-0139
Phone: (205) 581-1335
Fax: (205) 581-1337

Energy Systems, INC
(CA, NV, UT)
2619 Lycoming Street
Stockton, CA 95206
Parts: (800) 845-8519
Phone: (209) 983-6900
Fax: (209) 983-8919

Hunter & Lomison
(PA, NY West of I-81)
1956 West Fourth Street
Williamsport, PA 17701
Parts: (800) 922-9540
Phone: (717) 326-1764
Fax: (717) 326-5042

Huntington Power
(ME, VT, NH, Eastern NY, MA, CT, RI, NJ)
8 Algonkin Road
Shelton, CT 06477
Parts: (800) 473-1408
Phone: (203) 929-3203
Fax: (800) 929-0713

Indiana Power & Service
(IN, KY, OH)
1415 Country Club Road
Indianapolis, IN 46234
Parts: (800) 229-1672
Phone: (317) 271-1672
Fax: (317) 271-1673

Kelly Generator
(VA, WV, MD, DE)
8421-A Westphalia Road
Upper Marlboro, MD 20772
Parts: (800) 677-3815
Phone: (301) 420-3983
Fax: (301) 736-6582

Marr Brothers
(NM, LA, TX South of I-20)
423 East Jefferson
Dallas, TX 75209
Parts: (800) 627-7276
Phone: (214) 948-7387
Fax: (800) 967-1259

Omni Energy
(MN, IA, ND, SD, NE)
7000 Oxford Street
St. Louis Park, MN 55426
Parts: (888) 922-9511
Phone: (612) 922-9511
Fax: (612) 922-9545

R.B. Grove
(FL)
261 SW 6th Street
Miami, FL 33130
Phone: (305) 854-5420
Fax: (305) 854-0532

Reliable Power Company
(OR, WA, AK)
7911 NE 33rd Drive Suite 360
Portland, OR 97211
Parts: (800)
Phone: (503) 282-2250
Fax: (503) 282-2229

Rocky Mountain Power Generation
(CO)
6301 North Broadway
Denver, CO 80216
Parts: (800) 822-4332
Phone: (303) 428-3611
Fax: (303) 428-6785

Southwest Products Corp.
(AZ)
5143 West Roosevelt
Phoenix, AZ 85043
Parts: (800) 858-0033
Phone: (602) 268-3581
Fax: (602) 268-8448

TW Enterprises
(MT, WY, ID)
2059 North 9th Road
Worden, MT 59088
Parts: (800) 955-3795
Phone: (406) 245-4600
Fax: (406) 245-4333

Total Power Limited
(Canada)
5080 Timberlea Blvd. Unit #25
Mississauga, Ontario
Canada L4W4M2
Phone: (905) 238-1529
Fax: (905) 238-1533

TABLE OF CONTENTS

| | |
|---|----|
| ENGINE SERVICE RECOMMENDATIONS | 2 |
| QUICK REFERENCE GUIDE | 3 |
| CYLINDER BLOCK / HEAD / FRONT COVER | 4 |
| VALVE TRAIN AND COVER | 6 |
| CRANKSHAFT | 8 |
| PISTONS | 9 |
| OIL PAN / PUMP | 10 |
| OIL FILTER | 11 |
| FUEL PUMP / FILTER / INJECTORS | 12 |
| WATER PUMP / THERMOSTAT / HOUSING | 13 |
| INTAKE / EXHAUST MANIFOLDS | 14 |
| INTAKE MANIFOLD HEATER | 15 |
| AIR CLEANER (40 / 50 KW NATURALLY ASPIRATED AND 60 / 80 KW TURBOCHARGED MODELS) | 16 |
| AIR CLEANER (100 AND 125 KW TURBOCHARGED AND AFTERCOOLED MODELS) | 17 |
| ENGINE FINISH PARTS (40 AND 50 KW NATURALLY ASPIRATED MODELS) | 18 |
| ENGINE FINISH PARTS (60 AND 80 KW TURBOCHARGED MODELS) | 20 |
| ENGINE FINISH PARTS (100 AND 125 KW TURBOCHARGED AND AFTERCOOLED MODELS) | 22 |

The "Series-Two" 5.0 Liter Diesel #92460 has been utilized in the following model number units:

| | |
|-----------|-----------|
| 95A03883S | 95A05199S |
| 95A03900S | 95A05200S |
| 95A04377S | 95A05201S |
| 95A04447S | 95A05202S |
| 95A04511S | 95A05203S |
| 95A04576S | 95A05204S |
| 95A04991S | 95A05205S |
| 95A04997S | 95A05206S |
| 95A05178S | 95A05207S |
| 95A05179S | 95A05248S |
| 95A05188S | 95A05335S |
| 95A05193S | 95A05353S |
| 95A05195S | 95A05374S |
| 95A05196S | 95A05434S |
| 95A05197S | 95A05447S |
| 95A05198S | 95A05450S |

And all "96A" and "97A" models.

For "95A" models not shown above, see publication PB50000D
for engine #96383 "Series-One" 5.0 Liter Diesel

5.0L DIESEL ENGINE SERVICE RECOMMENDATIONS

SPECIFICATIONS:

CRANKCASE OIL CAPACITY:
 COOLING SYSTEM CAPACITY:
 RADIATOR:

RECOMMENDED FLUIDS

COOLANT:

USE A MIXTURE OF HALF LOW SILICATE, ETHYLENE GLYCOL BASE ANTI-FREEZE AND HALF SOFT WATER. COOLING SYSTEM CAPACITY IS ABOUT 4 U.S. GALLONS (15 LITERS). USE ONLY SOFT WATER AND ONLY LOW SILICATE ANTI-FREEZE. IF DESIRED, YOU MAY ADD A HIGH QUALITY RUST INHIBITOR TO THE RECOMMENDED COOLANT MIXTURE. WHEN ADDING COOLANT, ALWAYS ADD THE RECOMMENDED 50-50 MIXTURE.

CAUTION: DO NOT USE ANY CHROMATE BASE RUST INHIBITOR WITH ETHYLENE GLYCOL BASE ANTI-FREEZE OR CHROMIUM HYDROXIDE ("GREEN SLIME") WILL FORM AND CAUSE OVERHEATING. ENGINES THAT HAVE BEEN OPERATED WITH A CHROMATE BASE RUST INHIBITOR MUST BE CHEMICALLY CLEANED BEFORE ADDING ETHYLENE GLYCOL BASE ANTI-FREEZE. USING ANY HIGH SILICATE ANTI-FREEZE BOOSTERS OR ADDITIVES WILL ALSO CAUSE OVERHEATING. IT IS ALSO RECOMMENDED THAT NO SOLUBLE OIL INHIBITORS ARE USED FOR THIS EQUIPMENT.

ENGINE OIL:

USE A HIGH QUALITY DETERGENT OIL CLASSIFIED *FOR SERVICE SC, SD, SE, OR SF*. DETERGENT OILS KEEP THE ENGINE CLEANER AND REDUCE CARBON DEPOSITS. USE OIL HAVING THE FOLLOWING VISCOSITY RATING BASED ON THE AMBIENT TEMPERATURE RANGE ANTICIPATED BEFORE THE NEXT OIL CHANGE.

| TEMPERATURE | RECOMMENDED OIL GRADE |
|--------------|-----------------------|
| ABOVE 75° F | SAE 30W |
| 40° TO 75° F | SAE 20W OR 10W-30 |
| 10° TO 40° F | SAE 10W OR 10W-30 |
| BELOW 10° F | SAE 5W OR 5W-30 |

PERIODIC ENGINE MAINTAINANCE SCHEDULE

AFTER FIRST 50 HOURS OF OPERATION

CHANGE ENGINE CRANKCASE OIL AND OIL FILTER

EVERY SIX MONTHS

CHANGE ENGINE OIL AND FILTER
 LUBRICATE ENGINE CONTROLS
 SERVICE ENGINE AIR FILTER
 SERVICE ENGINE FUEL FILTER
 INSPECT FAN BELTS
 CHECK ENGINE COOLANT LEVEL
 INSPECT ENGINE COOLING SYSTEM HOSES

EVERY TWO YEARS

REPLACE ALL RUBBER HOSES
 REPLACE ENGINE FAN BELTS
 DRAIN, FLUSH AND REFILL COOLING SYSTEM

5.0L DIESEL QUICK REFERENCE GUIDE

ENGINE TUNE-UP / ENGINE PARTS

| | |
|---|-----------|
| AIR FILTER (40/50/60/80 KW) | 90749 |
| AIR FILTER (100 KW) | 89216 |
| AIR FILTER (125 KW) | 90625 |
| OIL FILTER CARTRIDGE | 96701 |
| FUEL FILTER ELEMENT | 376-96383 |
| PISTON KIT | 132-92460 |
| (INCL. RINGS, PIN, RETAINERS, AND SLEEVE) | |
| PISTON RINGS (STD) | 140-92460 |
| PIN, PISTON | 138-92460 |
| RETAINER, PISTON PIN | 139-92460 |
| REAR MAIN OIL SEAL | 109-96383 |
| CRANKSHAFT MAIN BRG SET (STD) | 172-96383 |
| CRANKSHAFT THRUST BRG (STD) | 178-96383 |
| ROD BEARING SET (STD) | 144-92460 |
| V-BELT (2 REQ) | 95280 |
| THERMOSTAT | 341-96383 |

TORQUE SPECIFICATIONS

| | |
|-----------------------------------|----------------|
| CYLINDER HEAD BOLTS (FINAL STAGE) | 160 ft lbs |
| FUEL INJECTORS | 17 ft lbs |
| EXHAUST MANIFOLD BOLTS | 28 ft lbs |
| INTAKE MANIFOLD BOLTS | 26 ft lbs |
| CAMSHAFT GEAR BOLT | 51 ft lbs |
| CAMSHAFT IDLER GEAR BOLT | 175 ft lbs |
| FUEL INJ. PUMP GEAR BOLT | 58 ft lbs |
| FRONT COVER BOLTS (5/16") | 13-18 ft lbs |
| FRONT COVER BOLTS (3/8") | 25-30 ft lbs |
| OIL PAN BOLTS | 28 ft lbs |
| CONNECTING ROD CAP BOLTS | 110 ft lbs |
| MAIN BEARING CAP BOLTS | 140-150 ft lbs |
| REAR COVER PLATE BOLTS | 12-17 ft lbs |
| OIL PUMP MOUNTING BOLTS | 17-21 ft lbs |
| WATER PUMP MOUNTING BOLTS | 48 ft lbs |

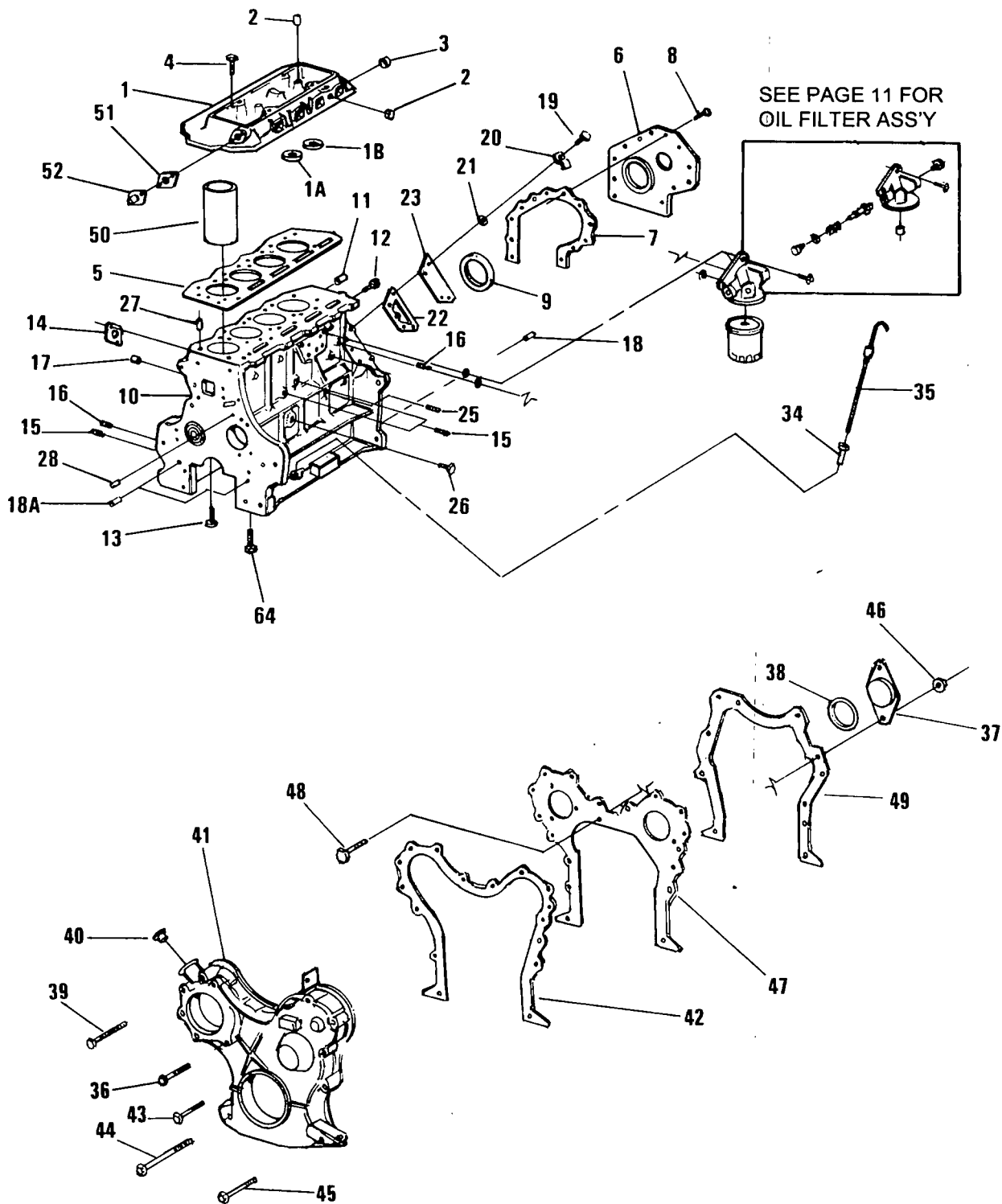
LEGEND

"AR" AS REQUIRED

"O/S" OVERSIZE

"U/S" UNDERSIZE

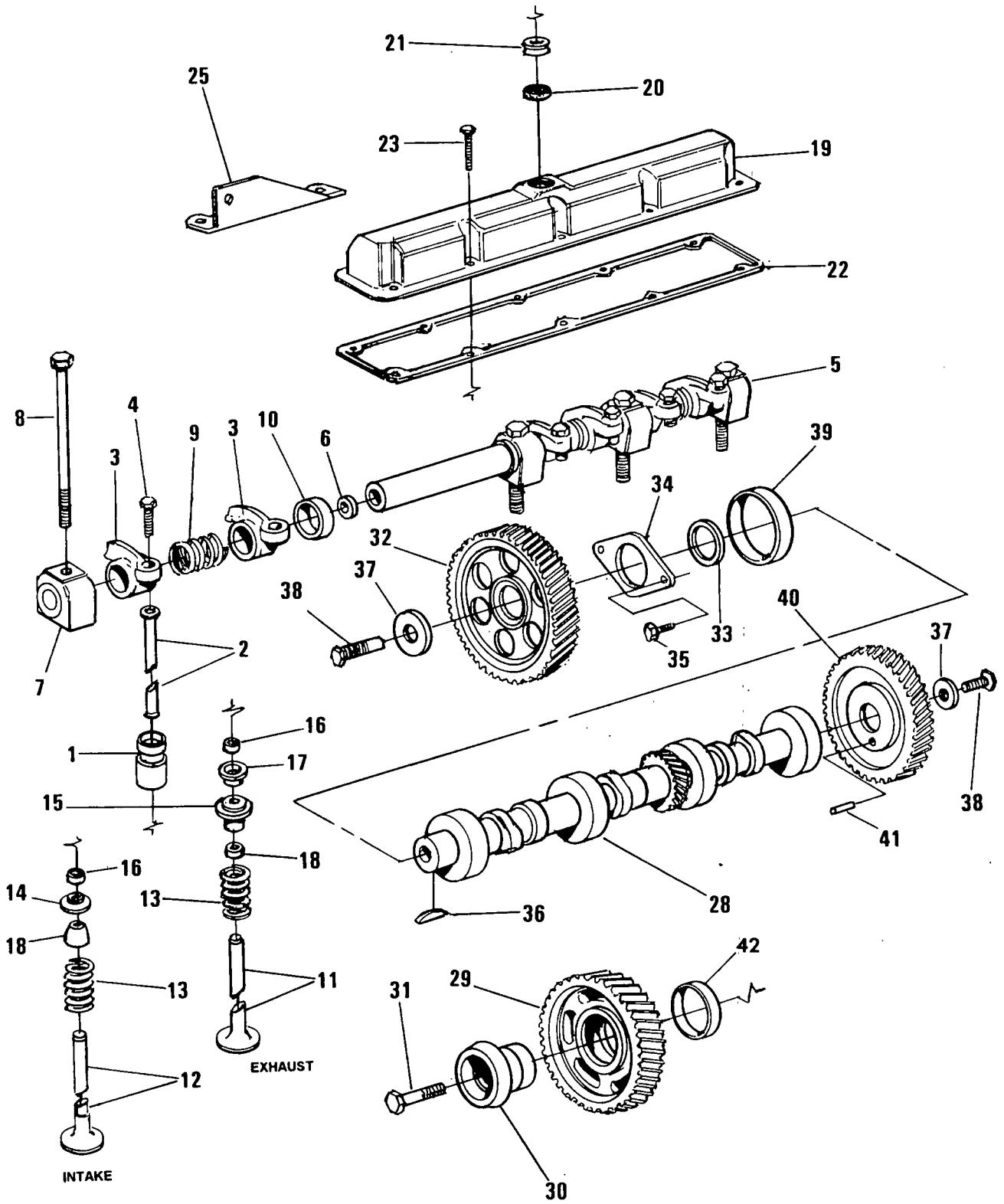
5.0L DIESEL CYLINDER BLOCK, HEAD, FRONT COVER



5.0L DIESEL CYLINDER BLOCK / HEAD / FRONT COVER

| ITEM | PART NO. | DESCRIPTION | QTY |
|------|-----------|---------------------------------------|-----|
| 1 | 101-96383 | HEAD ASSEMBLY | 1 |
| 1A | 120-96383 | INSERT, EXHAUST VALVE SEAT, STD | 4 |
| | 121-96383 | INSERT, EXHAUST VALVE SEAT, .010 O/S | AR |
| | 122-96383 | INSERT, EXHAUST VALVE SEAT, .020 O/S | AR |
| 1B | 124-96383 | INSERT, INTAKE VALVE SEAT, STD | 4 |
| | 125-96383 | INSERT, INTAKE VALVE SEAT, .010 O/S | AR |
| | 126-96383 | INSERT, INTAKE VALVE SEAT, .020 O/S | AR |
| 2 | 102-96383 | PLUG, CUP | 7 |
| 3 | 103-96383 | PLUG, CUP | 1 |
| 4 | 104-96383 | BOLT, CYLINDER HEAD | 13 |
| 5 | 101-92460 | GASKET, CYLINDER HEAD | 1 |
| 6 | 106-96383 | PLATE, OIL SEAL RETAINER | 1 |
| 7 | 107-96383 | GASKET, RETAINER | 1 |
| 8 | 108-96383 | BOLT, HEX FLANGE HEAD | 12 |
| 9 | 109-96383 | SEAL ASSEMBLY | 1 |
| 10 | 100-92460 | BLOCK ASSEMBLY | 1 |
| 11 | 103-96383 | PLUG, CUP | 1 |
| 12 | 111-96383 | PLUG, SOCKET HEX | 1 |
| 13 | 112-96383 | JET, PISTON OIL | 4 |
| 14 | 113-96383 | PLUG, CUP | 2 |
| 15 | 105-92461 | PLUG, PIPE | 3 |
| 16 | 106-92461 | PLUG, PIPE | 2 |
| 17 | 116-96383 | PLUG, CUP | AR |
| 18 | 119-96383 | PIN, DOWEL | 2 |
| 18A | 118-96383 | PIN, DOWEL | 2 |
| 19 | 314-96383 | BOLT | 4 |
| 20 | 128-96383 | CLIP | 1 |
| 21 | 129-96383 | WASHER, FLAT | 1 |
| 22 | 107-92461 | GASKET, OIL PUMP COVER | 1 |
| 23 | 102-92460 | COVER, OIL PUMP FLANGE | 1 |
| 25 | 110-92461 | PLUG | 1 |
| 26 | 111-92461 | PLUG | 1 |
| 27 | 135-96383 | DOWEL | 2 |
| 28 | 136-96383 | PLUG, CUP | 1 |
| 34 | 138-96383 | TUBE, OIL INDICATER | 1 |
| 35 | 139-96383 | INDICATOR, OIL | 1 |
| 36 | 259-96383 | BOLT, HEX FLANGE HEAD 3/8"-16 X 1.50 | 2 |
| 37 | 141-96383 | COVER | 1 |
| 38 | 112-92461 | SEAL, O-RING | 1 |
| 39 | 143-96383 | BOLT, HEX FLANGE HEAD 5/16"-18 X 2.50 | 2 |
| 40 | 144-96383 | CAP ASSEMBLY, OIL FILLER | 1 |
| 41 | 113-92461 | COVER, FRONT CYLINDER | 1 |
| 42 | 146-96383 | GASKET, FRONT COVER | 1 |
| 43 | 147-96383 | BOLT, HEX FLANGE HEAD 5/16"-18 X 2" | 4 |
| 44 | 148-96383 | BOLT, HEX FLANGE HEAD 3/8"-16 X 3" | 2 |
| 45 | 114-92461 | BOLT, HEX FLANGE HEAD 3/8"-16 X 2" | 8 |
| 46 | 115-92461 | NUT, HEX HEAD | 2 |
| 47 | 151-96383 | PLATE, FRONT COVER | 1 |
| 48 | 105-92460 | BOLT, HEX HEAD 5/16"-18 X 3/4" | 4 |
| 49 | 153-96383 | GASKET, FRONT PLATE | 1 |
| 50 | 106-92460 | SLEEVE | 4 |
| 64 | 116-92461 | BOLT, BEARING CAP | 10 |

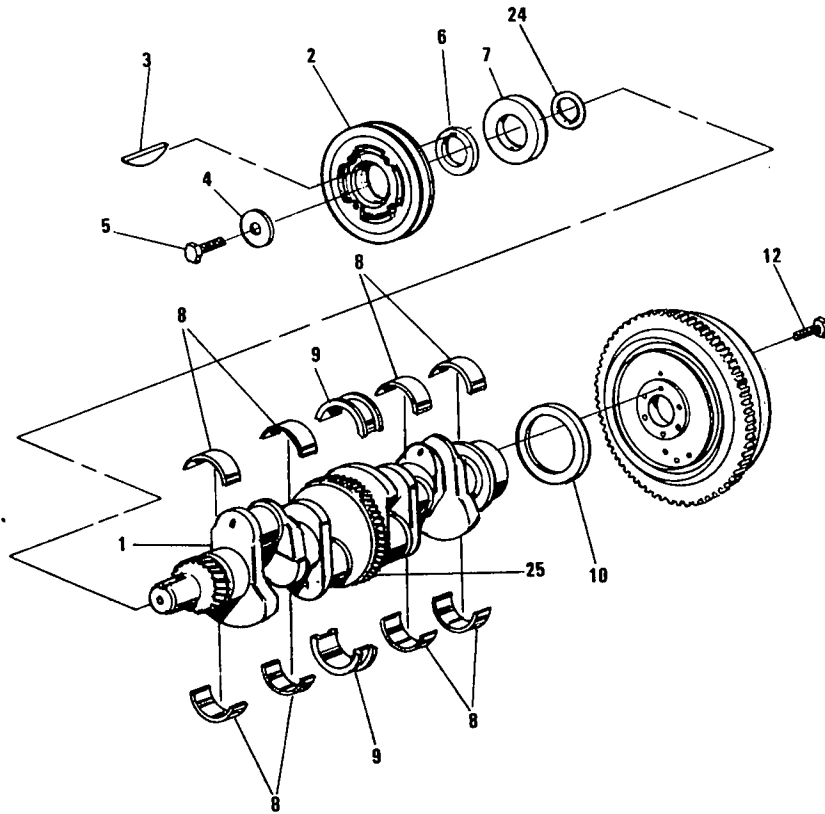
5.0L DIESEL VALVE TRAIN AND COVER



5.0L DIESEL VALVE TRAIN AND COVER

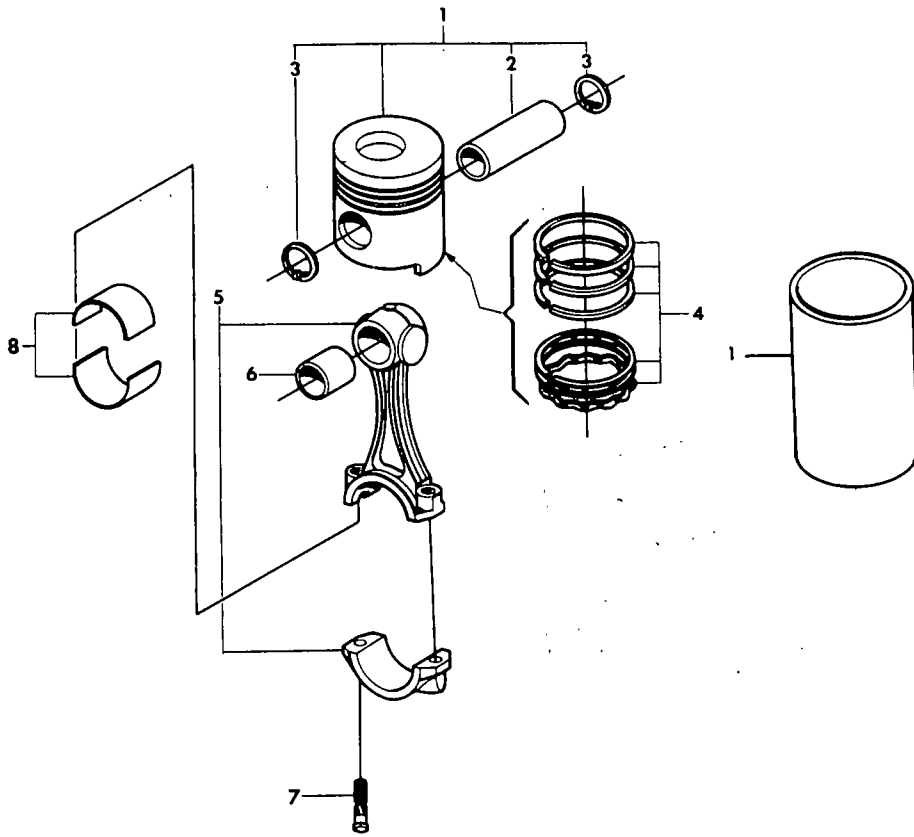
| ITEM | PART NO. | DESCRIPTION | QTY |
|------|-----------|--|-----|
| 1 | 195-96383 | TAPPET, VALVE | 8 |
| 2 | 196-96383 | ROD, PUSH | 8 |
| 3 | 198-96383 | ARM ASSEMBLY, INTAKE | 4 |
| | 197-96383 | ARM ASSEMBLY, EXHAUST | 4 |
| 4 | 199-96383 | SCREW, ADJUSTING | 8 |
| 5 | 200-96383 | SHAFT, ROCKER ARM | 1 |
| 6 | 201-96383 | PLUG, CUP | 2 |
| 7 | 202-96383 | SUPPORT | 5 |
| 8 | 203-96383 | BOLT | 5 |
| 9 | 204-96383 | SPRING | 4 |
| 10 | 205-96383 | SPACER | 4 |
| 11 | 206-96383 | VALVE, EXHAUST, STD. | 4 |
| | 124-92461 | VALVE, EXHAUST, .015 O/S | AR |
| 12 | 209-96383 | VALVE, INTAKE, STD | 4 |
| | 125-92461 | VALVE, INTAKE, .015 O/S | AR |
| 13 | 212-96383 | SPRING, VALVE | 8 |
| 14 | 213-96383 | RETAINER, INTAKE | 4 |
| 15 | 214-96383 | RETAINER, EXHAUST | 4 |
| 16 | 215-96383 | KEY, RETAINER | 16 |
| 17 | 216-96383 | SLEEVE, VALVE SPRING RETAINER, EXHAUST | 4 |
| 18 | 217-96383 | SEAL, VALVE STEM | 8 |
| 19 | 125-92460 | COVER ASSEMBLY | 1 |
| 20 | 127-92461 | FILTER, VENT TUBE | 1 |
| 21 | 220-96383 | GROMMET | 1 |
| 22 | 221-96383 | GASKET, VALVE COVER | 1 |
| 23 | 222-96383 | BOLT, HEX FLANGE HEAD | 10 |
| 28 | 223-96383 | CAMSHAFT | 1 |
| 29 | 224-96383 | GEAR ASSEMBLY, CAMSHAFT DRIVE | 1 |
| 30 | 130-92461 | ADAPTOR, CAMSHAFT GEAR | 1 |
| 31 | 131-92461 | BOLT, HEX HEAD | 1 |
| 32 | 227-96383 | GEAR, CAMSHAFT | 1 |
| 33 | 228-96383 | SPACER, CAMSHAFT GEAR | 1 |
| 34 | 229-96383 | PLATE, CAMSHAFT THRUST | 1 |
| 35 | 230-96383 | SCREW & WASHER ASSY, HEX HEAD | 2 |
| 36 | 231-96383 | KEY, WOODRUFF | 1 |
| 37 | 232-96383 | WASHER | 2 |
| 38 | 133-92461 | BOLT, HEX HEAD | 2 |
| 39 | 158-92460 | BEARING, CAMSHAFT | 3 |
| 40 | 235-96383 | GEAR ASSEMBLY, OIL PUMP DRIVE | 1 |
| 41 | 236-96383 | PIN, DOWEL | 1 |
| 42 | 184-92461 | BUSHING, CAMSHAFT GEAR ADAPTOR | 1 |

7.5L DIESEL CRANKSHAFT



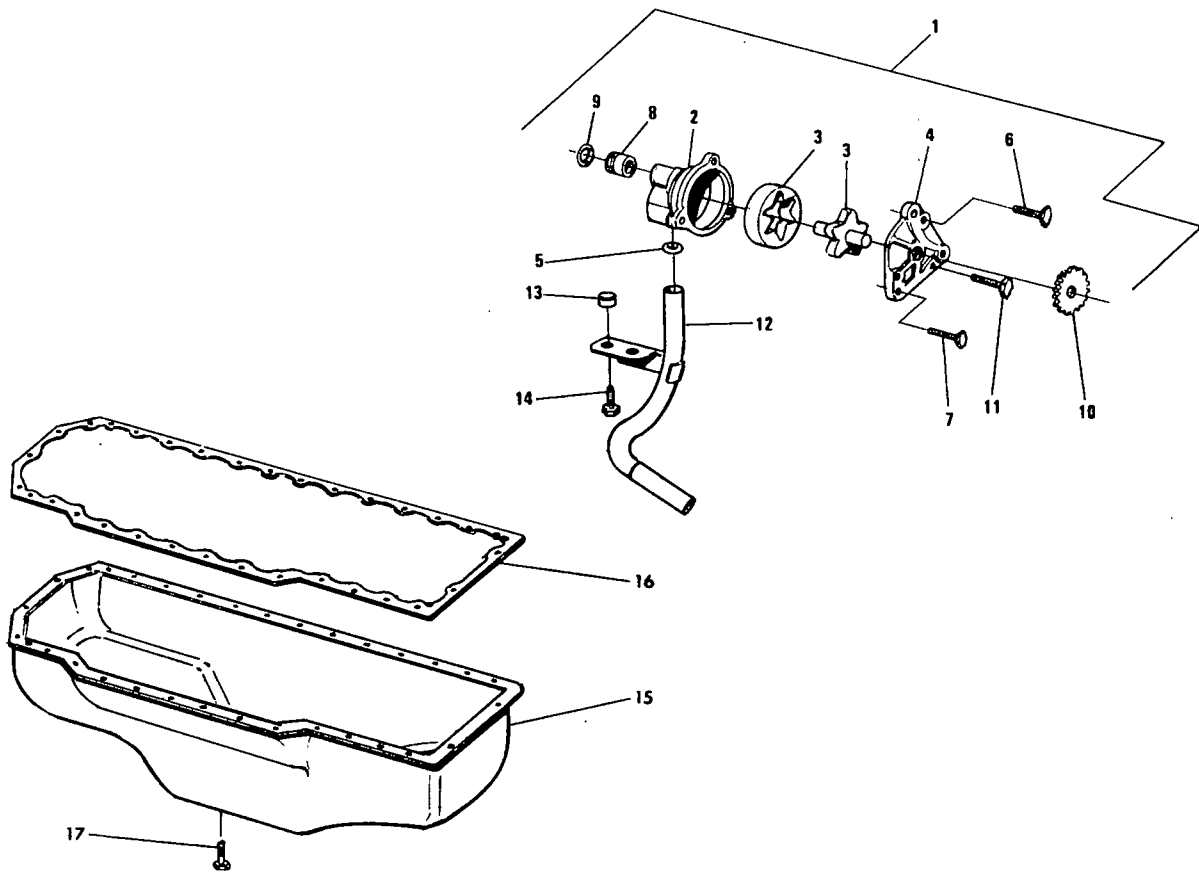
| ITEM | PART NO. | DESCRIPTION | QTY |
|------|-----------|---------------------------------|-----|
| 1 | 107-92460 | CRANKSHAFT ASSEMBLY | 1 |
| 2 | 108-92460 | DAMPER | 1 |
| 3 | 109-92460 | KEY | 1 |
| 4 | 120-92461 | WASHER, FLAT | 1 |
| 5 | 121-92461 | BOLT | 1 |
| 6 | 110-92460 | SPACER | 1 |
| 7 | 166-96383 | SEAL ASSEMBLY | 1 |
| 8 | 172-96383 | LINER, MAIN BEARING, STD | 4 |
| | 167-96383 | LINER, MAIN BEARING, .002 U/S | AR |
| | 168-96383 | LINER, MAIN BEARING, .010 U/S | AR |
| | 169-96383 | LINER, MAIN BEARING, .020 U/S | AR |
| | 170-96383 | LINER, MAIN BEARING, .030 U/S | AR |
| | 171-96383 | LINER, MAIN BEARING, .040 U/S | AR |
| 9 | 178-96383 | LINER, THRUST BEARING, STD | 1 |
| | 173-96383 | LINER, THRUST BEARING, .002 U/S | AR |
| | 174-96383 | LINER, THRUST BEARING, .010 U/S | AR |
| | 175-96383 | LINER, THRUST BEARING, .020 U/S | AR |
| | 176-96383 | LINER, THRUST BEARING, .030 U/S | AR |
| | 177-96383 | LINER, THRUST BEARING, .040 U/S | AR |
| 10 | 109-96383 | SEAL ASSEMBLY | 1 |
| 11 | 97646 | FLYWHEEL ASSEMBLY | 1 |
| 12 | 96393 | BOLT | 6 |
| 24 | 193-96383 | SEAL, O-RING | 1 |

5.0L DIESEL PISTONS



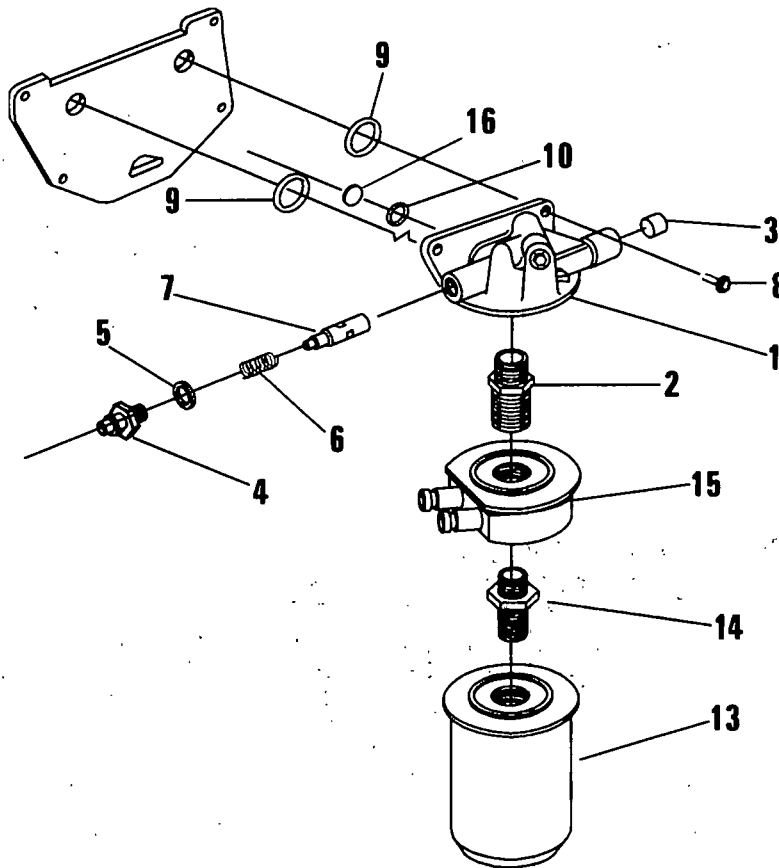
| <u>ITEM</u> | <u>PART NO.</u> | <u>DESCRIPTION</u> | <u>QTY</u> |
|-------------|-----------------|---|------------|
| 1 | 132-92460 | KIT, PISTON, RINGS, SLEEVE, PIN, RETAINER | AR |
| 2 | 138-92460 | PIN, PISTON | 4 |
| 3 | 139-92460 | RETAINER | 8 |
| 4 | 140-92460 | RINGS, STD | 4 |
| 5 | 296-96383 | CONNECTING ROD | 4 |
| 6 | 297-96383 | BUSHING | 4 |
| 7 | 298-96383 | BOLT | 8 |
| 8 | 144-92460 | BEARING, CONNECTING ROD, STD | 4 |
| | 145-92460 | BEARING, CONNECTING ROD, .002 U/S | AR |
| | 146-92460 | BEARING, CONNECTING ROD, .010 U/S | AR |
| | 147-92460 | BEARING, CONNECTING ROD, .020 U/S | AR |
| | 148-92460 | BEARING, CONNECTING ROD, .030 U/S | AR |
| | 149-92460 | BEARING, CONNECTING ROD, .040 U/S | AR |

5.0L DIESEL OIL PAN / PUMP



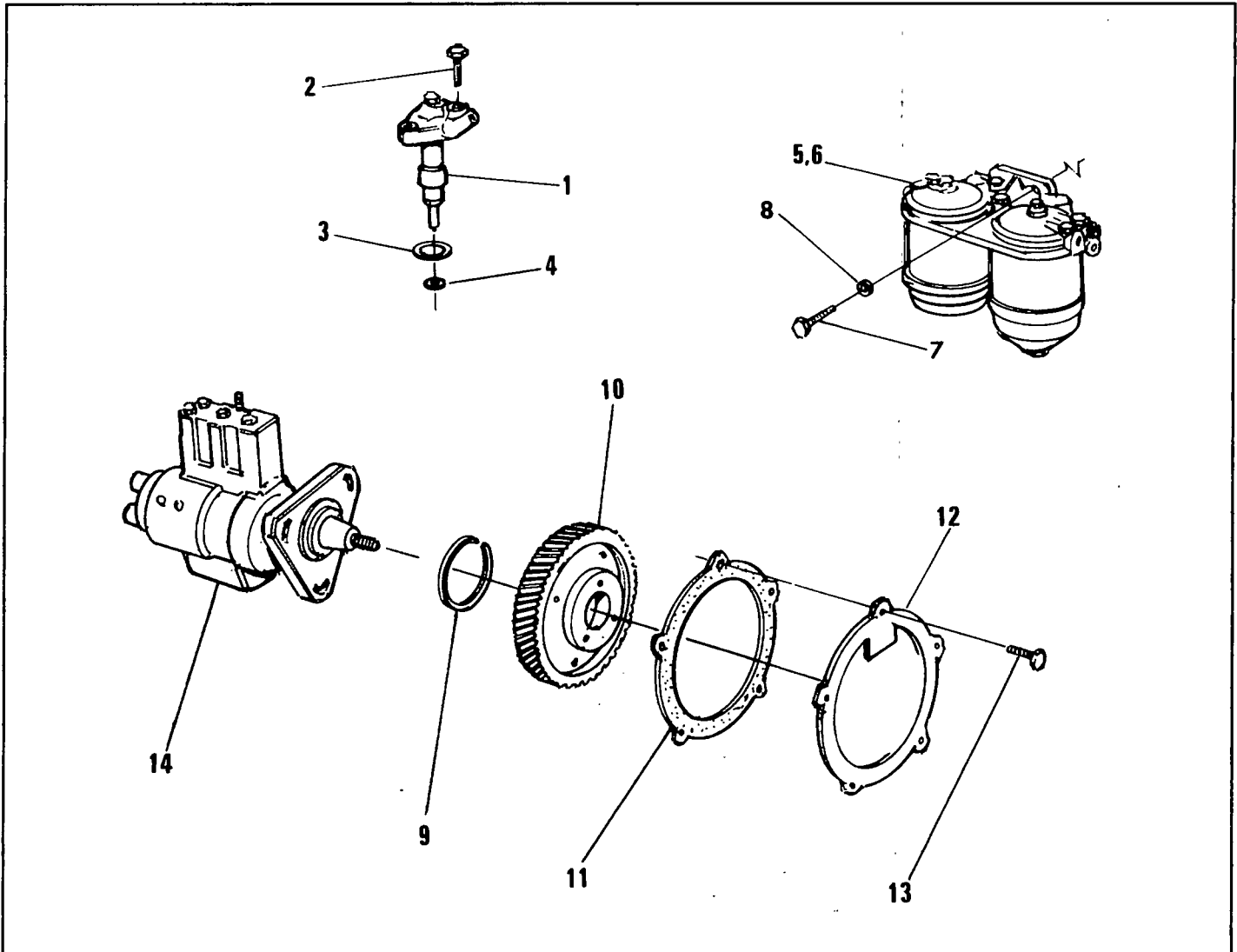
| ITEM | PART NO. | DESCRIPTION | QTY |
|------|---------------|------------------------|-----|
| 1 | 237-96383 | PUMP ASSEMBLY, OIL | 1 |
| 2 | NOT AVAILABLE | BODY | |
| 3 | 238-96383 | ROTOR & SHAFT ASSEMBLY | 1 |
| 4 | 239-96383 | COVER | 1 |
| 5 | 240-96383 | O-RING | 1 |
| 6 | 241-96383 | BOLT, BUTTON HEAD | 1 |
| 7 | 242-96383 | BOLT, HEX | 2 |
| 8 | 243-96383 | SLEEVE, OUTLET | 1 |
| 9 | 244-96383 | O-RING | 1 |
| 10 | 245-96383 | GEAR, OIL PUMP DRIVE | 1 |
| 11 | 246-96383 | BOLT, HEX HEAD | 3 |
| 12 | 126-92460 | SCREEN & TUBE ASSEMBLY | 1 |
| 13 | 248-96383 | PLUG, SOCKET HEAD | 1 |
| 14 | 1127-92460 | BOLT, HEX HEAD | 1 |
| 15 | 128-92460 | PAN, OIL | 1 |
| 16 | 251-96383 | GASKET, OIL PAN | 1 |
| 17 | 144-92461 | BOLT, OIL PAN | 26 |

5.0L DIESEL OIL FILTER



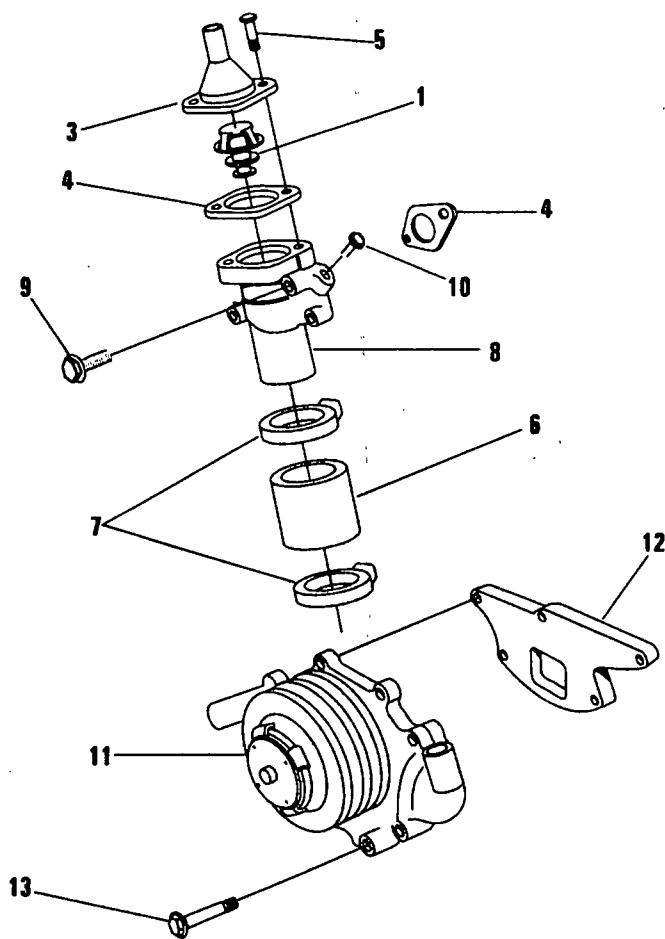
| ITEM | PART NO. | DESCRIPTION | QTY |
|------|-----------|---------------------------------------|-----|
| 1 | 153-92461 | SUPPORT ASSEMBLY, OIL FILTER MOUNTING | 1 |
| 2 | 307-96383 | INSERT | 1 |
| 3 | 308-96383 | PLUG, SOCKET HEAD | 1 |
| 4 | 309-96383 | CONNECTOR | 1 |
| 5 | 311-96383 | SEAL, O-RING | 1 |
| 6 | 312-96383 | SPRING | 1 |
| 7 | 313-96383 | VALVE, OIL PRESSURE RELIEF | 1 |
| 8 | 314-96383 | BOLT, HEX FLANGE HEAD | 4 |
| 9 | 315-96383 | SEAL, O-RING | 2 |
| 10 | 280-96383 | SEAL, O-RING | 1 |
| 13 | 96701 | OIL FILTER ELEMENT | 1 |
| 14 | 176-92461 | INSERT | 1 |
| 15 | 175-92461 | OIL COOLER | 1 |
| 16 | 160-92460 | DISC, OIL FILTER SUPPORT | 1 |

5.0L DIESEL FUEL PUMP / FILTER / INJECTORS



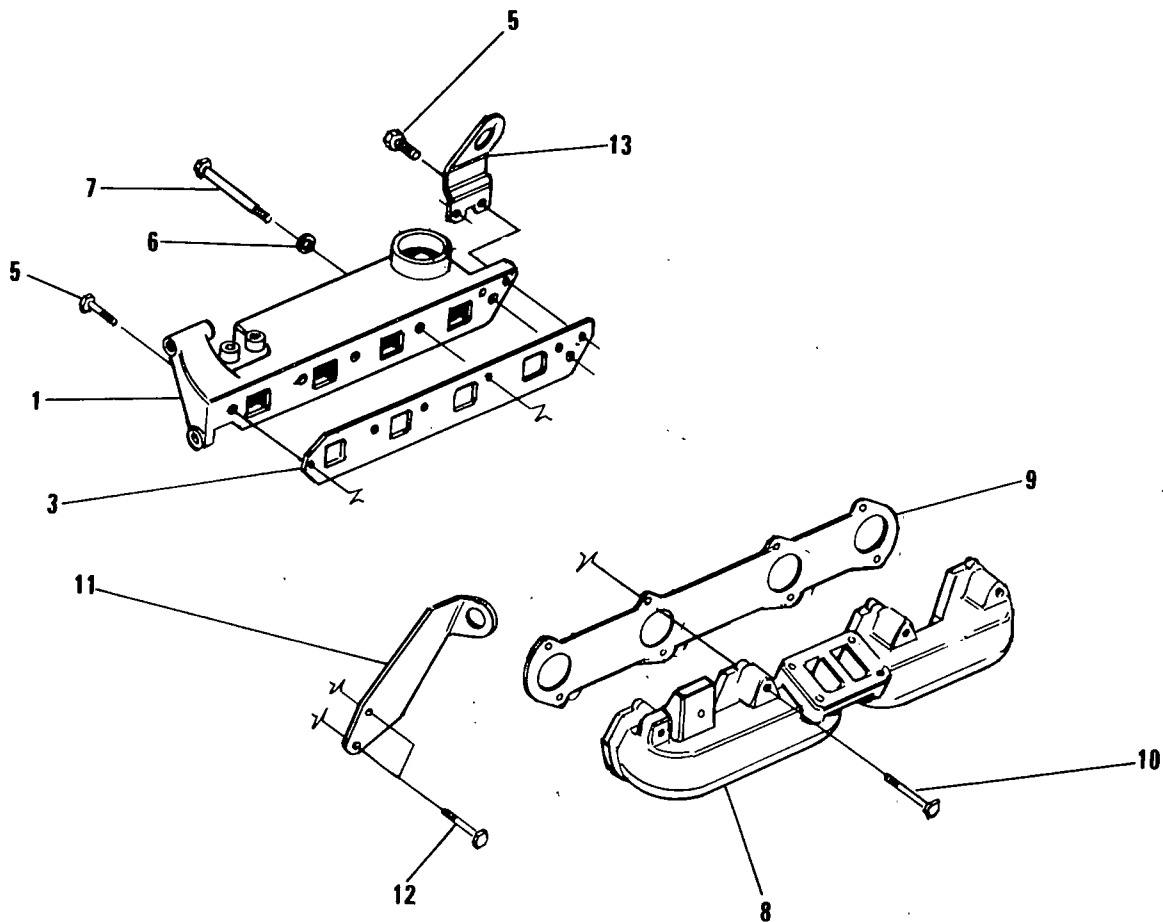
| ITEM | PART NO. | DESCRIPTION | QTY |
|------|-----------|-----------------------------------|-----|
| 1 | 414-96383 | INJECTOR ASSEMBLY, FUEL | 4 |
| 2 | 155-92461 | BOLT, HEX FLANGE HEAD | 8 |
| 3 | 368-96383 | SEAL, FUEL INJECTOR | 4 |
| 4 | 367-96383 | WASHER, FUEL INJECTOR SEAL | 4 |
| 5 | 375-96383 | FILTER ASSEMBLY, FUEL | 1 |
| 6 | 376-96383 | ELEMENT, FUEL FILTER | 2 |
| 7 | 157-92461 | BOLT | 2 |
| 8 | 158-92461 | WASHER, FLAT | 2 |
| 9 | 159-92461 | SEAL, O-RING | 1 |
| 10 | 365-96383 | GEAR, FUEL INJECTION PUMP | 1 |
| 11 | 160-92461 | GASKET, TIMING COVER | 1 |
| 12 | 161-92461 | COVER, FUEL INJECTION PUMP TIMING | 1 |
| 13 | 162-92461 | BOLT, TIMING COVER | 5 |
| 14 | 97645 | FUEL INJECTION PUMP | 1 |

5.0L DIESEL WATER PUMP / THERMOSTAT / HOUSING



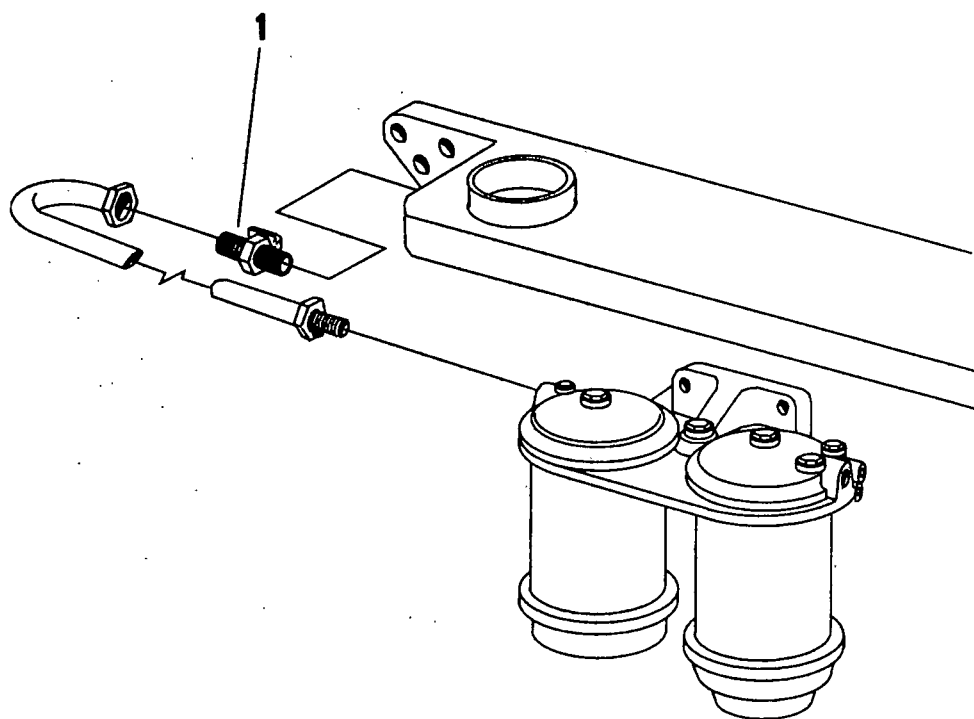
| ITEM | PART NO. | DESCRIPTION | QTY |
|------|-----------|---------------------|-----|
| 1 | 341-96383 | THERMOSTAT | 1 |
| 3 | 333-96383 | COVER | 1 |
| 4 | 334-96383 | GASKET | 2 |
| 5 | 151-92460 | SCREW | 2 |
| 6 | 336-96383 | SLEEVE | 1 |
| 7 | 152-92460 | COLLAR | 2 |
| 8 | 338-96383 | BODY | 1 |
| 9 | 153-92460 | SCREW | 2 |
| 10 | 154-92460 | PLUG | 1 |
| 11 | 155-92460 | WATER PUMP ASSEMBLY | 1 |
| 12 | 173-92461 | WATER PUMP GASKET | 1 |
| 13 | 156-92460 | SCREW | 4 |

5.0L DIESEL INTAKE / EXHAUST MANIFOLDS



| <u>ITEM</u> | <u>PART NO.</u> | <u>DESCRIPTION</u> | <u>QTY</u> |
|-------------|-----------------|---------------------------------------|------------|
| 1 | 129-92460 | MANIFOLD ASSEMBLY, INTAKE | 1 |
| 3 | 257-96383 | GASKET, INTAKE | 1 |
| 5 | 284-96383 | BOLT, HEX FLANGE HEAD, 3/8"-16 X 1.25 | 3 |
| | 259-96383 | BOLT, HEX FLANGE HEAD, 3/8"-16 X 1.50 | 2 |
| 6 | 260-96383 | SEAL, O-RING | 3 |
| 7 | 261-96383 | BOLT, HEX FLANGE HEAD 3/8"-16 X 5" | 3 |
| 8 | 130-92460 | MANIFOLD ASSEMBLY, EXHAUST | 1 |
| 9 | 263-96383 | GASKET, EXHAUST | 1 |
| 10 | 148-92461 | BOLT, HEX FLANGE HEAD 3/8"-16 X 2.50 | 8 |
| 11 | 151-92461 | PLATE, ENGINE LIFT FRONT | 1 |
| 12 | 131-92460 | BOLT, HEX HEAD 3/8"-16 X 1.00 | 2 |
| 13 | 152-92461 | PLATE, ENGINE LIFT REAR | 1 |

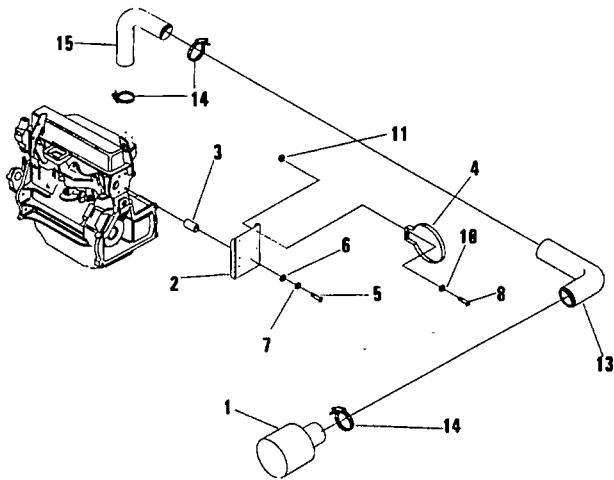
5.0L DIESEL INTAKE MANIFOLD HEATER



| <u>ITEM</u> | <u>PART NO.</u> | <u>DESCRIPTION</u> | <u>QTY</u> |
|-------------|-----------------|------------------------|------------|
| 1 | 146-92461 | INTAKE MANIFOLD HEATER | 1 |

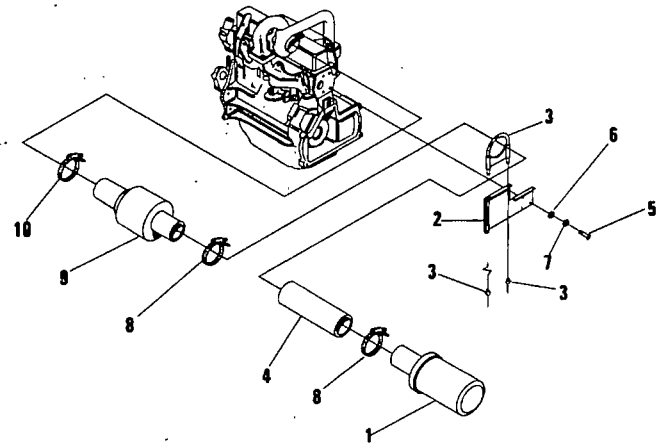
5.0L DIESEL AIR CLEANER

40 and 50 KW MODELS (NATURALLY ASPIRATED)



| ITEM | PART NO. | DESCRIPTION | QTY |
|------|----------|---------------------------|-----|
| 1 | 90749 | AIR CLEANER | 1 |
| 2 | 97454 | BRACKET, AIR CLEANER | 1 |
| 3 | 95310 | SPACER | 4 |
| 4 | 73354 | CLAMP, MOUNTING | 1 |
| 5 | 22368 | HEX HEAD CAPSCREW | 4 |
| 6 | 22250 | WASHER, FLAT | 4 |
| 7 | 22302 | WASHER, LOCK | 4 |
| 8 | 51756 | HEX HEAD CAPSCREW | 2 |
| 10 | 49809 | WASHER, FLAT | 2 |
| 11 | 52859 | HEX NUT, LOCKING | 2 |
| 13 | 95304 | TUBE, AIR CLEANER 3" O.D. | 1 |
| 14 | 66212 | CLAMP, HOSE #52 | 3 |
| 15 | 65231 | 90° ELBOW 3" I.D. | 1 |

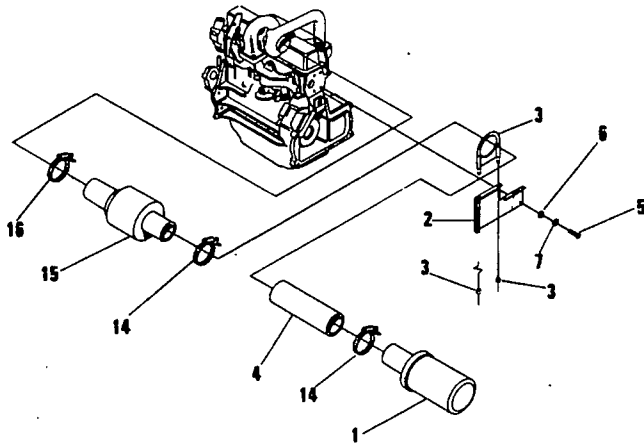
60 and 80 KW MODELS (TURBOCHARGED)



| ITEM | PART NO. | DESCRIPTION | QTY |
|------|----------|---------------------------|-----|
| 1 | 90749 | AIR CLEANER | 1 |
| 2 | A1757 | BRACKET, AIR CLEANER | 1 |
| 3 | 55978 | CLAMP, U-BOLT & SADDLE 3" | 1 |
| 4 | A1758 | TUBE, AIR CLEANER 3" O.D. | 1 |
| 5 | 22368 | HEX HEAD CAPSCREW | 3 |
| 6 | 22250 | WASHER, FLAT | 3 |
| 7 | 22302 | WASHER, LOCK | 3 |
| 8 | 66212 | CLAMP, HOSE #52 | 2 |
| 9 | 57629 | REDUCER 3" TO 2-1/2" | 1 |
| 10 | 39294 | CLAMP, HOSE #44 | 1 |

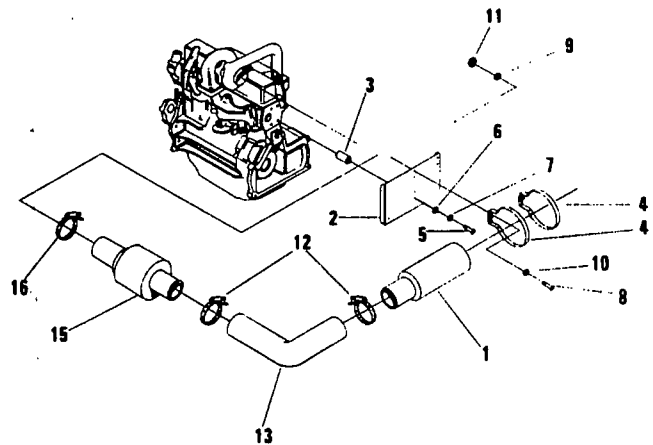
5.0L DIESEL AIR CLEANER

100 KW MODELS (TURBOCHARGED)



| ITEM | PART NO. | DESCRIPTION | QTY |
|------|----------|---------------------------|-----|
| 1 | 89216 | AIR CLEANER 8-1/2" O.D. | 1 |
| 2 | A1757 | BRACKET, AIR CLEANER | 1 |
| 3 | 55978 | CLAMP, U-BOLT & SADDLE 3" | 1 |
| 4 | A1758 | TUBE, AIR CLEANER | 1 |
| 5 | 22368 | HEX HEAD CAPSCREW | 3 |
| 6 | 22250 | WASHER, FLAT | 3 |
| 7 | 22302 | WASHER, LOCK | 3 |
| 14 | 66212 | CLAMP, HOSE #52 | 2 |
| 15 | 57629 | REDUCER 3" TO 2-1/2" | 1 |
| 16 | 39294 | CLAMP, HOSE #44 | 1 |

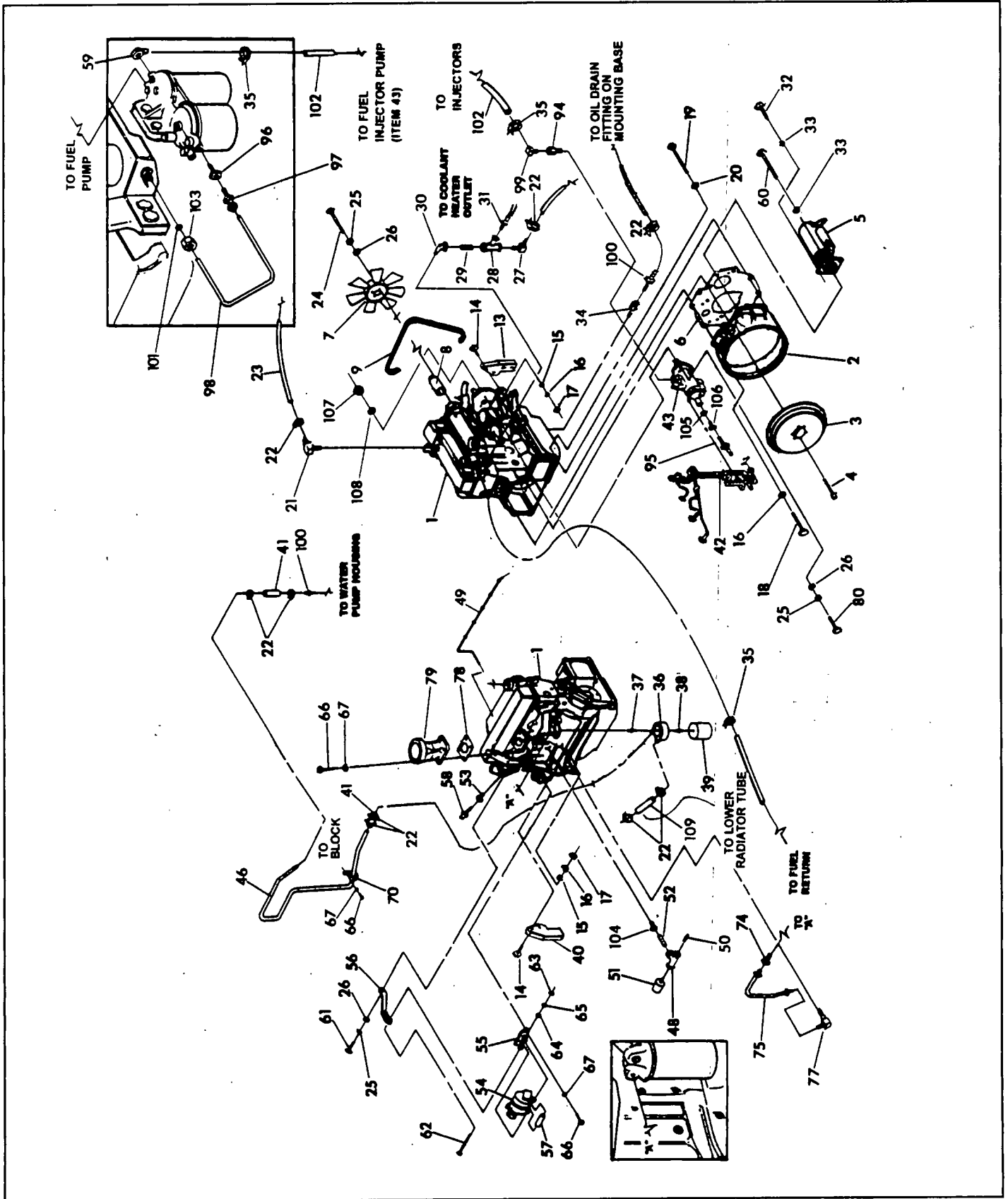
125 KW MODELS (TURBOCHARGED)



| ITEM | PART NO. | DESCRIPTION | QTY |
|------|----------|-------------------------|-----|
| 1 | 90625 | AIR CLEANER 7-3/4" O.D. | 1 |
| 2 | 95309 | BRACKET, AIR CLEANER | 1 |
| 3 | 95310 | SPACER | 4 |
| 4 | 90624 | CLAMP, MOUNTING 7-3/4" | 2 |
| 5 | 22368 | HEX HEAD CAPSCREW | 4 |
| 6 | 22250 | WASHER, FLAT | 4 |
| 7 | 22302 | WASHER, LOCK | 4 |
| 8 | 49814 | HEX HEAD CAPSCREW | 4 |
| 9 | 46526 | WASHER, LOCK | 4 |
| 10 | 22131 | WASHER, FLAT | 4 |
| 11 | 45772 | HEX NUT | 4 |
| 12 | 57648 | CLAMP, HOSE #64 | 2 |
| 13 | 20004 | TUBE, AIR CLEANER | 1 |
| 15 | 59668 | REDUCER, 4" TO 3" | 1 |
| 16 | 39294 | CLAMP, HOSE #44 | 1 |

5.0L DIESEL ENGINE FINISH PARTS

(40 and 50 KW NATURALLY ASPIRATED MODELS)



5.0L DIESEL ENGINE FINISH PARTS

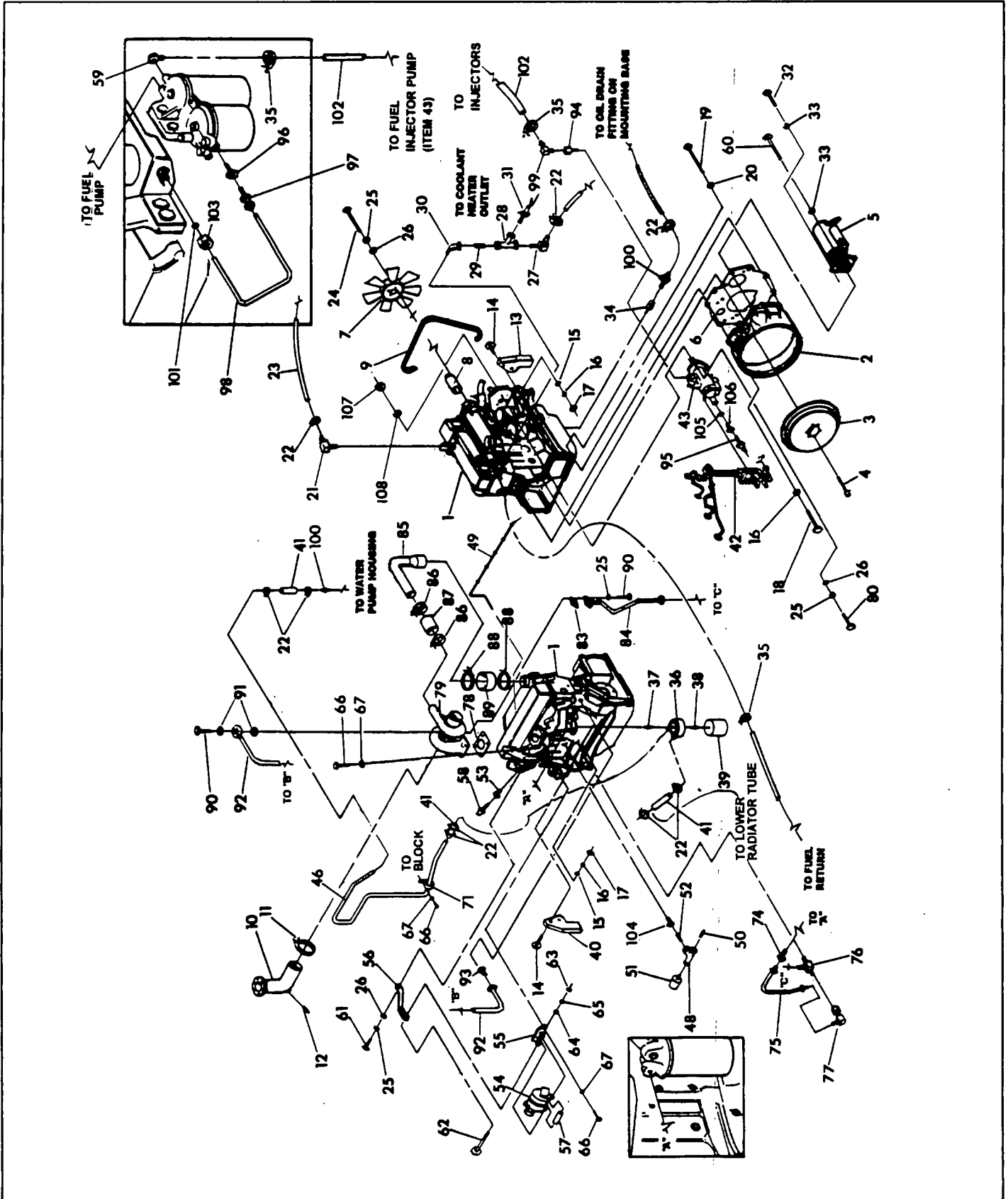
(40 and 50 KW NATURALLY ASPIRATED MODELS)

| ITEM | PART NO. | DESCRIPTION | QTY |
|------|----------|------------------------------|-----|
| 1 | 92460 | ENGINE, 5.0L DIESEL | 1 |
| 2 | 95005 | FLYWHEEL HOUSING | 1 |
| 3 | 97646 | FLYWHEEL W/ RING GEAR | 1 |
| 4 | 96393 | BOLTS, FLYWHEEL MOUNTING | 6 |
| 5 | 95281 | STARTER | 1 |
| 6 | 95008 | ENGINE PLATE | 1 |
| 7 | 98184 | FAN, COOLING | 1 |
| 8 | 21082 | SPACER, FAN | 1 |
| 9 | 95280 | V-BELT | 2 |
| 13 | 98856 | MOUNTING FOOT, R.H. | 1 |
| 14 | 98779 | HEX HEAD CAPSCREW | 4 |
| 15 | 45900 | WASHER, FLAT | 4 |
| 16 | 23171 | WASHER, LOCK | 6 |
| 17 | 23170 | NUT, HEX | 4 |
| 18 | 96387 | SOCKET HEAD CAPSCREW | 2 |
| 19 | 96388 | HEX HEAD CAPSCREW | 4 |
| 20 | 22247 | WASHER, FLAT | 4 |
| 21 | 59412 | BARBED 90° FITTING | 1 |
| 22 | 57822 | CLAMP, HOSE #8 | 10 |
| 23 | 57448 | HOSE | 1 |
| 24 | 36287 | HEX HEAD CAPSCREW | 4 |
| 25 | 22129 | WASHER, LOCK | 8 |
| 26 | 22145 | WASHER, FLAT | 8 |
| 27 | 56460 | BARBED 90° FITTING | 1 |
| 28 | 30416 | PIPE, TEE | 1 |
| 29 | 30985 | NIPPLE | 1 |
| 30 | 49611 | ELBOW, REDUCER, 1/2" TO 3/8" | 1 |
| 31 | 35606 | SWITCH, HIGH WATER TEMP. | 1 |
| 32 | 49541 | HEX HEAD CAPSCREW | 2 |
| 33 | 46526 | WASHER, LOCK | 3 |
| 34 | 65317 | ADAPTOR | 1 |
| 35 | 40173 | CLAMP, HOSE #5.5 | 4 |
| 39 | 96701 | OIL FILTER | 1 |
| 40 | 98855 | MOUNTING FOOT, L.H. | 1 |
| 41 | 50967 | HOSE, COOLANT | 2 |
| 42 | 96776 | INJECTION LINES | 1 |
| 43 | 97645 | INJECTION PUMP | 1 |
| 46 | 96759 | TUBE, OIL COOLER RETURN | 1 |
| 48 | 35430 | TEE | 1 |
| 49 | 99856 | FUEL RETURN LINE | 1 |
| 50 | 60108 | SWITCH, OIL PRESSURE | 1 |

| ITEM | PART NO. | DESCRIPTION | QTY |
|------|----------|------------------------------|-----|
| 51 | 53666 | SENDER, OIL PRESSURE | 1 |
| 52 | 35578 | NIPPLE | 1 |
| 53 | 55476 | REDUCER, 3/8" TO 1/8" | 1 |
| 54 | 95278 | ALTERNATOR, DC | 1 |
| 55 | 96692 | DC ALT. MOUNTING BRACKET | 1 |
| 56 | 96691 | DC ALT. TENSIONER BRACKET | 1 |
| 57 | 96781 | SPACER, DC ALT MOUNTING | 1 |
| 58 | 53667 | SENDER, COOLANT TEMP. | 1 |
| 59 | 97474 | FITTING, BANJO | 2 |
| 60 | 57642 | HEX HEAD CAPSCREW | 1 |
| 61 | 22142 | HEX HEAD CAPSCREW | 1 |
| 62 | 53556 | HEX HEAD CAPSCREW | 1 |
| 63 | 45773 | HEX NUT | 1 |
| 64 | 49808 | WASHER, FLAT | 1 |
| 65 | 51769 | WASHER, LOCK | 1 |
| 66 | 29745 | HEX HEAD CAPSCREW | 7 |
| 67 | 22237 | WASHER, LOCK | 7 |
| 70 | 55934H | TUBE CLAMP | 1 |
| 74 | 96986 | FITTING, CONNECTOR | 1 |
| 75 | 96987 | TUBE, RELIEF VALVE VENT | 1 |
| 77 | 97050 | FITTING, ELBOW | 1 |
| 78 | 97659 | GASKET | 1 |
| 79 | 92829 | ADAPTOR, EXHAUST | 1 |
| 80 | 30209 | HEX HEAD CAPSCREW | 3 |
| 94 | 57829A | ADAPTOR | 1 |
| 95 | 67982 | BARBED FITTING 3/8" TO 5/16" | 1 |
| 96 | 60616 | ADAPTOR | 1 |
| 97 | 99477 | FITTING | 1 |
| 98 | 96704A | LINE, PRE-HEATER | 1 |
| 99 | 59502 | BARBED FITTING | 1 |
| 100 | 44117 | BARBED FITTING | 2 |
| 101 | 99616 | FERRULE | 1 |
| 102 | 52221 | HOSE, 30" X 5/16", FUEL | 1 |
| 103 | 99615 | NUT | 1 |
| 104 | 35579 | REDUCER, 1/4" TO 1/8" | 1 |
| 105 | 52677 | SEAL | 1 |
| 106 | 54455 | ADAPTOR | 1 |
| 107 | 43124 | NUT, HEX JAM | 1 |
| 108 | 43123 | WASHER, LOCK | 1 |
| 109 | 50967 | HOSE, COOLANT- 30" | 1 |

5.0L DIESEL ENGINE FINISH PARTS

(60 and 80 KW TURBOCHARGED MODELS)



5.0L DIESEL ENGINE FINISH PARTS

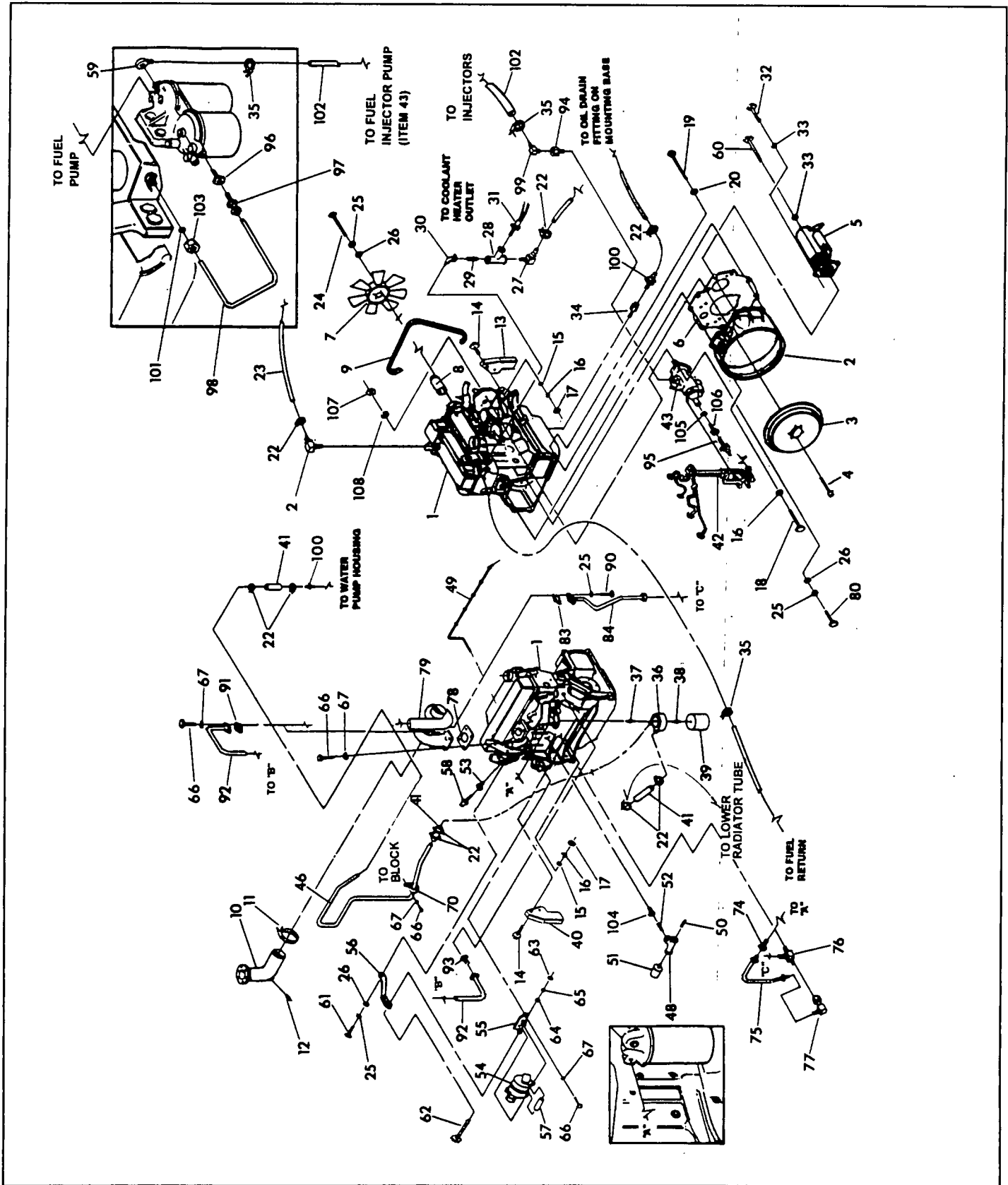
(60 and 80 KW TURBOCHARGED MODELS)

| ITEM | PART NO. | DESCRIPTION | QTY |
|------|----------|------------------------------|-----|
| 1 | 92460 | ENGINE, 5.0L DIESEL | 1 |
| 2 | 95005 | FLYWHEEL HOUSING | 1 |
| 3 | 97646 | FLYWHEEL W/ RING GEAR | 1 |
| 4 | 96393 | BOLTS, FLYWHEEL MOUNTING | 6 |
| 5 | 95281 | STARTER | 1 |
| 6 | 95008 | ENGINE PLATE | 1 |
| 7 | 98184 | FAN, COOLING | 1 |
| 8 | 21082 | SPACER, FAN | 1 |
| 9 | 95280 | V-BELT | 2 |
| 10 | 96693 | EXHAUST ELBOW | 1 |
| 11 | 96694 | V-BAND CLAMP, EX. ELBOW | 1 |
| 12 | 96757 | PLUG, EXHAUST ELBOW | 1 |
| 13 | 98856 | MOUNTING FOOT, R.H. | 1 |
| 14 | 98779 | HEX HEAD CAPSCREW | 4 |
| 15 | 45900 | WASHER, FLAT | 4 |
| 16 | 23171 | WASHER, LOCK | 6 |
| 17 | 23170 | NUT, HEX | 4 |
| 18 | 96387 | SOCKET HEAD CAPSCREW | 2 |
| 19 | 96388 | HEX HEAD CAPSCREW | 4 |
| 20 | 22247 | WASHER, FLAT | 4 |
| 21 | 59412 | BARBED 90° FITTING | 1 |
| 22 | 57822 | CLAMP, HOSE #8 | 10 |
| 23 | 57448 | HOSE | 1 |
| 24 | 36287 | HEX HEAD CAPSCREW | 4 |
| 25 | 22129 | WASHER, LOCK | 8 |
| 26 | 22145 | WASHER, FLAT | 8 |
| 27 | 56460 | BARBED 90° FITTING | 1 |
| 28 | 30416 | PIPE, TEE | 1 |
| 29 | 30985 | NIPPLE | 1 |
| 30 | 49611 | ELBOW, REDUCER, 1/2" TO 3/8" | 1 |
| 31 | 35606 | SWITCH, HIGH WATER TEMP. | 1 |
| 32 | 49541 | HEX HEAD CAPSCREW | 2 |
| 33 | 46526 | WASHER, LOCK | 3 |
| 34 | 65317 | ADAPTOR | 1 |
| 35 | 40173 | CLAMP, HOSE #5.5 | 4 |
| 39 | 96701 | OIL FILTER | 1 |
| 40 | 98855 | MOUNTING FOOT, L.H. | 1 |
| 41 | 50967 | HOSE, COOLANT | 2 |
| 42 | 96776 | INJECTION LINES | 1 |
| 43 | 97645 | INJECTION PUMP | 1 |
| 46 | 96759 | TUBE, OIL COOLER RETURN | 1 |
| 48 | 35430 | TEE | 1 |
| 49 | 99856 | FUEL RETURN LINE | 1 |
| 50 | 60108 | SWITCH, OIL PRESSURE | 1 |
| 51 | 53666 | SENDER, OIL PRESSURE | 1 |
| 52 | 35578 | NIPPLE | 1 |
| 53 | 55476 | REDUCER, 3/8" TO 1/8" | 1 |

| ITEM | PART NO. | DESCRIPTION | QTY |
|------|----------|---------------------------|-----|
| 54 | 95278 | ALTERNATOR, DC | 1 |
| 55 | 96692 | DC ALT. MOUNTING BRACKET | 1 |
| 56 | 96691 | DC ALT. TENSIONER BRACKET | 1 |
| 57 | 96781 | SPACER, DC ALT MOUNTING | 1 |
| 58 | 53667 | SENDER, COOLANT TEMP. | 1 |
| 59 | 97474 | FITTING, BANJO | 2 |
| 60 | 57642 | HEX HEAD CAPSCREW | 1 |
| 61 | 22142 | HEX HEAD CAPSCREW | 1 |
| 62 | 53556 | HEX HEAD CAPSCREW | 1 |
| 63 | 45773 | HEX NUT | 1 |
| 64 | 49808 | WASHER, FLAT | 1 |
| 65 | 51769 | WASHER, LOCK | 1 |
| 66 | 29745 | HEX HEAD CAPSCREW | 7 |
| 67 | 22237 | WASHER, LOCK | 7 |
| 71 | 55934H | TUBE CLAMP | 1 |
| 74 | 96986 | FITTING, CONNECTOR | 1 |
| 75 | 96987 | TUBE, RELIEF VALVE VENT | 1 |
| 76 | 96988 | FITTING, DUAL DRAIN | 1 |
| 77 | 96860 | FITTING, ELBOW | 1 |
| 78 | 97659 | GASKET | 1 |
| 79 | 95541 | TURBOCHARGER | 1 |
| 80 | 30209 | HEX HEAD CAPSCREW | 3 |
| 83 | 92771 | GASKET, TURBO OUTLET | 1 |
| 84 | 95958A | PIPE, TURBO OUTLET | 1 |
| 85 | 97658 | TUBE, CROSSOVER | 1 |
| 86 | 86133C | CLAMP, HI-TORQUE HOSE | 2 |
| 87 | 71296 | HOSE, 2" I.D. X 2-1/2" | 1 |
| 88 | 86133E | CLAMP, HI-TORQUE HOSE | 2 |
| 89 | 80773 | HOSE, 3" I.D. X 2" | 1 |
| 90 | 92770 | HOLLOW BOLT | 1 |
| 91 | 97657 | WASHER, COPPER | 2 |
| 92 | 95957A | PIPE, TURBO INLET | 1 |
| 93 | 96877 | FITTING, INLET PIPE | 1 |
| 94 | 57829A | ADAPTOR | 1 |
| 95 | 67982 | BARBED FITTING | 1 |
| 96 | 60616 | ADAPTOR | 1 |
| 97 | 99477 | FITTING | 1 |
| 98 | 96704A | LINE, PRE-HEATER | 1 |
| 99 | 59502 | BARBED FITTING | 1 |
| 100 | 44117 | BARBED FITTING | 2 |
| 101 | 99616 | FERRULE | 1 |
| 102 | 52221 | HOSE, 30" X 5/16", FUEL | 1 |
| 103 | 99615 | NUT | 1 |
| 104 | 35579 | REDUCER, 1/4" TO 1/8" | 1 |
| 105 | 52677 | SEAL | 1 |
| 106 | 54455 | ADAPTOR | 1 |
| 107 | 43124 | NUT, HEX JAM | 1 |
| 108 | 43123 | WASHER, LOCK | 1 |

5.0L DIESEL ENGINE FINISH PARTS

100 and 125 KW TURBOCHARGED AND AFTERCOOLED MODELS



5.0L DIESEL ENGINE FINISH PARTS

100 and 125 KW TURBOCHARGED AND AFTERCOOLED MODELS

| ITEM | PART NO. | DESCRIPTION | QTY |
|------|----------|------------------------------|-----|
| 1 | 92460 | ENGINE, 5.0L DIESEL | 1 |
| 2 | 95005 | FLYWHEEL HOUSING | 1 |
| 3 | 97646 | FLYWHEEL W/ RING GEAR | 1 |
| 4 | 96393 | BOLTS, FLYWHEEL MOUNTING | 6 |
| 5 | 95281 | STARTER | 1 |
| 6 | 95008 | ENGINE PLATE | 1 |
| 7 | 98184 | FAN, 26" (100KW) | 1 |
| | 98185 | FAN, 22" (125KW) | 1 |
| 8 | 21082 | SPACER, FAN | 1 |
| 9 | 95280 | V-BELT | 2 |
| 10 | 96693 | EXHAUST, ELBOW | 1 |
| 11 | 96694 | V-BAND CLAMP, EXHAUST ELBOW | 1 |
| 12 | 96757 | PLUG, EXHAUST ELBOW | 1 |
| 13 | 98856 | MOUNTING FOOT, R.H. | 1 |
| 14 | 98779 | HEX HEAD CAPSCREW | 4 |
| 15 | 45900 | WASHER, FLAT | 4 |
| 16 | 23171 | WASHER, LOCK | 6 |
| 17 | 23170 | NUT, HEX | 4 |
| 18 | 96387 | SOCKET HEAD CAPSCREW | 2 |
| 19 | 96388 | HEX HEAD CAPSCREW | 4 |
| 20 | 22247 | WASHER, FLAT | 4 |
| 21 | 59412 | BARBED 90° FITTING | 1 |
| 22 | 57822 | CLAMP, HOSE #8 | 10 |
| 23 | 57448 | HOSE | 1 |
| 24 | 36287 | HEX HEAD CAPSCREW | 4 |
| 25 | 22129 | WASHER, LOCK | 8 |
| 26 | 22145 | WASHER, FLAT | 8 |
| 27 | 56460 | BARBED 90° FITTING | 1 |
| 28 | 30416 | PIPE, TEE | 1 |
| 29 | 30985 | NIPPLE | 1 |
| 30 | 49611 | ELBOW, REDUCER, 1/2" TO 3/8" | 1 |
| 31 | 35606 | SWITCH, HIGH WATER TEMP. | 1 |
| 32 | 49541 | HEX HEAD CAPSCREW | 2 |
| 33 | 46526 | WASHER, LOCK | 3 |
| 34 | 65317 | ADAPTOR | 1 |
| 35 | 40173 | CLAMP, HOSE #5.5 | 4 |
| 39 | 96701 | OIL FILTER | 1 |
| 40 | 98855 | MOUNTING FOOT, L.H. | 1 |
| 41 | 50967 | HOSE, COOLANT | 2 |
| 42 | 96776 | INJECTION LINES | 1 |
| 43 | 97645 | INJECTION PUMP (100KW) | 1 |
| | 97645A | INJECTION PUMP (125KW) | 1 |
| 46 | 96759 | TUBE, OIL COOLER RETURN | 1 |
| 48 | 35430 | TEE | 1 |
| 49 | 99856 | FUEL RETURN LINE | 1 |
| 50 | 60108 | SWITCH, OIL PRESSURE | 1 |
| 51 | 53666 | SENDER, OIL PRESSURE | 1 |
| 52 | 35578 | NIPPLE | 1 |

| ITEM | PART NO. | DESCRIPTION | QTY |
|------|----------|------------------------------|-----|
| 53 | 55476 | REDUCER, 3/8" TO 1/8" | 1 |
| 54 | 95278 | ALTERNATOR, DC | 1 |
| 55 | 96692 | DC ALT. MOUNTING BRACKET | 1 |
| 56 | 96691 | DC ALT. TENSIONER BRACKET | 1 |
| 57 | 96781 | SPACER, DC ALT MOUNTING | 1 |
| 58 | 53667 | SENDER, COOLANT TEMP. | 1 |
| 59 | 97474 | FITTING, BANJO | 2 |
| 60 | 57642 | HEX HEAD CAPSCREW | 1 |
| 61 | 22142 | HEX HEAD CAPSCREW | 1 |
| 62 | 53556 | HEX HEAD CAPSCREW | 1 |
| 63 | 45773 | HEX NUT | 1 |
| 64 | 49808 | WASHER, FLAT | 1 |
| 65 | 51769 | WASHER, LOCK | 1 |
| 66 | 29745 | HEX HEAD CAPSCREW | 7 |
| 67 | 22237 | WASHER, LOCK | 7 |
| 70 | 55934H | TUBE CLAMP | 1 |
| 74 | 96986 | FITTING, CONNECTOR | 1 |
| 75 | 96987 | TUBE, RELIEF VALVE VENT | 1 |
| 76 | 96988 | FITTING, DUAL DRAIN | 1 |
| 77 | 96860 | FITTING, ELBOW | 1 |
| 78 | 97659 | GASKET | 1 |
| 79 | 95541 | TURBOCHARGER (100KW) | 1 |
| | 95540 | TURBOCHARGER (125 KW) | 1 |
| 80 | 30209 | HEX HEAD CAPSCREW | 3 |
| 83 | 96116 | GASKET, TURBO OUTLET | 1 |
| 84 | 95958B | PIPE, TURBO OUTLET (100KW) | 1 |
| | 95958C | PIPE, TURBO OUTLET (125KW) | 1 |
| 90 | 22125 | HEX HEAD CAPSCREW | 2 |
| 91 | 96859 | GASKET, TURBO INLET | 1 |
| 92 | 95957B | PIPE, TURBO INLET (100KW) | 1 |
| | 95957C | PIPE, TURBO INLET (125KW) | 1 |
| 93 | 96877 | FITTING, INLET PIPE | 1 |
| 94 | 57829A | ADAPTOR | 1 |
| 95 | 67982 | BARBED FITTING 3/8" TO 5/16" | 1 |
| 96 | 60616 | ADAPTOR | 1 |
| 97 | 99477 | FITTING | 1 |
| 98 | 96704A | LINE, PRE-HEATER | 1 |
| 99 | 59502 | BARBED FITTING | 1 |
| 100 | 44117 | BARBED FITTING | 2 |
| 101 | 99616 | FERRULE | 1 |
| 102 | 52221 | HOSE, 30" X 5/16", FUEL | 1 |
| 103 | 99615 | NUT | 1 |
| 104 | 35579 | REDUCER, 1/4" TO 1/8" | 1 |
| 105 | 52677 | SEAL | 1 |
| 106 | 54455 | ADAPTOR | 1 |
| 107 | 43124 | NUT, HEX JAM | 1 |
| 108 | 43123 | WASHER, LOCK | 1 |

