

0D9727  
**GENERAC®**  
POWER SYSTEMS, INC.

**7.5** LITER

**D I E S E L**

***ENGINE  
PARTS  
MANUAL***



## 7.5L DIESEL TABLE OF CONTENTS

|                                   |    |
|-----------------------------------|----|
| QUICK REFERENCE GUIDE .....       | 2  |
| SERVICE RECOMMENDATIONS .....     | 4  |
| CYLINDER HEAD ASSEMBLY .....      | 8  |
| CYLINDER BLOCK ASSEMBLY .....     | 9  |
| LINER AND PISTON KIT .....        | 10 |
| CRANKSHAFT ASSEMBLY .....         | 11 |
| ROCKER COVER AND BREATHER .....   | 12 |
| CYLINDER HEAD .....               | 13 |
| CYLINDER BLOCK .....              | 14 |
| OIL PAN ASSEMBLY .....            | 16 |
| ENGINE GASKET KIT .....           | 17 |
| FLYWHEEL AND HOUSING .....        | 18 |
| PISTON AND CONNECTING ROD .....   | 20 |
| CRANKSHAFT .....                  | 21 |
| CAMSHAFT AND VALVE .....          | 22 |
| TIMING GEAR .....                 | 24 |
| ATTACHING PARTS .....             | 26 |
| OIL PUMP AND STRAINER .....       | 28 |
| OIL FILTER .....                  | 30 |
| OIL COOLER .....                  | 31 |
| OIL LINE .....                    | 32 |
| FUEL FILTER AND HOSE .....        | 34 |
| FUEL INJECTION PUMP .....         | 36 |
| INJECTION PIPE .....              | 38 |
| INJECTION NOZZLE .....            | 40 |
| FUEL RETURN HOSE .....            | 42 |
| ENGINE MOUNTING AND SUPPORT ..... | 43 |
| WATER PUMP AND FAN .....          | 44 |
| WATER PIPE AND THERMOSTAT .....   | 45 |
| INTAKE MANIFOLD .....             | 46 |
| EXHAUST MANIFOLD .....            | 47 |
| TURBOCHARGER .....                | 48 |
| EXHAUST PIPE .....                | 49 |
| STARTER .....                     | 50 |
| ALTERNATOR .....                  | 51 |
| ENGINE COMMON PARTS .....         | 52 |
| ELECTRONIC GOVERNOR .....         | 54 |
| AIR CLEANER .....                 | 55 |

## LEGEND

**“AR” AS REQUIRED**  
**(STD) STANDARD SIZE**  
**“O.S.” OVERSIZE**  
**“U.S.” UNDERSIZE**

### NOTICE!

**THE INFORMATION IN THIS MANUAL IS KNOWN TO BE ACCURATE AS OF THE DATE OF RELEASE SHOWN ON THE COVER. HOWEVER, ENGINEERING CHANGES CAN OCCUR WITHOUT NOTICE. TO OBTAIN THE PROPER PARTS, PLEASE BE SURE TO USE THE MODEL NUMBER OF THE UNIT BEING SERVICED WHEN ORDERING FROM THIS MANUAL.**

## 7.5L DIESEL QUICK REFERENCE GUIDE

### **SPECIFICATIONS:**

CRANKCASE OIL CAPACITY:

6.0 U.S. GALLONS (22.7 LITERS)

COOLING SYSTEM CAPACITY:

11.2 U.S. GALLONS (42.4 LITERS)

### **RECOMMENDED FLUIDS**

#### **COOLANT:**

USE A 50/50 MIXTURE OF LOW SILICATE ETHYLENE GLYCOL BASE ANTI-FREEZE AND SOFT WATER. (IF DESIRED, A HIGH QUALITY RUST INHIBITOR MAY BE ADDED TO THE RECOMMENDED COOLANT MIXTURE.) WHEN ADDING COOLANT, ALWAYS ADD THE RECOMMENDED 50/50 MIXTURE.

#### **ENGINE OIL:**

USE A HIGH QUALITY DETERGENT OIL HAVING AAPI CLASSIFICATION "FOR SERVICE CC OR CD." THE SAE VISCOSITY RATING OF THE OIL SHOULD BE CAREFULLY SELECTED, BASED ON THE PREVAILING AMBIENT TEMPERATURE RANGE ANTICIPATED BEFORE THE NEXT OIL CHANGE. RECOMMENDED SAE VISCOSITY GRADES ARE AS FOLLOWS:

| TEMPERATURE  | RECOMMENDED OIL GRADE |
|--------------|-----------------------|
| ABOVE 90°F   | SAE 40                |
| 32°F TO 90°F | SAE 30                |
| 12°F TO 32°F | SAE 20                |

## 7.5L DIESEL QUICK REFERENCE GUIDE

### QUICK REFERENCE ENGINE PARTS

| PART NUMBER | DESCRIPTION                | QTY |
|-------------|----------------------------|-----|
| 0D57030309  | OIL FILTER                 | 1   |
| 090625      | AIR FILTER                 | 1   |
| 0D57030353  | FUEL FILTER                | 1   |
| 0D57030416  | WATER PUMP                 | 1   |
| 0D57030468  | ALTERNATOR                 | 1   |
| 0D57030463  | STARTER                    | 1   |
| 0D57030436  | THERMOSTAT & GASKET KIT    | 1   |
| 0D57030424  | ALTERNATOR BELT            | 1   |
| 0D57030106  | ENGINE OVERHAUL GASKET KIT | AR  |

## 7.5L DIESEL SERVICE RECOMMENDATIONS

### 40 KW - 400 KW STANDBY DIESEL ENGINE DRIVEN GENERATOR SETS

Following is a recommended maintenance schedule for Generac standby diesel engine driven generator sets from 40 kW to 400 kW in size. The established intervals in the schedule are the *maximum* recommended when the unit is used in an average service application. They will need to be decreased (performed more frequently) if the unit is used in a severe application. Use the unit hour meter or calendar time, whichever occurs first, from the previous maintenance interval to determine the next required maintenance interval.

#### Service Maintenance Interval Information:

The various service maintenance intervals are designated by interval numbers as follows:

- 1 An early inspection of the generator set to insure it is ready to operate when required and to identify any potential problem areas.

*Performed monthly or following each 10 hours of operation of the unit and requires approximately .5 man-hours per unit to complete.*

*This inspection may be performed by the end user providing the following safety steps are taken to prevent the engine from starting automatically without warning:*

**To prevent injury, perform the following steps in the order indicated before starting any maintenance:**

- **Disable the generator set from starting and/or connecting to the load by setting the control panel Auto-Off-Manual switch to the "OFF" position.**
- **Remove the control panel fuse.**
- **Turn off the battery charger.**
- **Remove the negative battery cable.**

**The battery charger must be turned off BEFORE removing the battery cable to prevent an over current condition from burning out sensitive control panel components and circuits.**

**Following all maintenance, reverse these steps to insure the unit is returned to standby setup for normal operation when required.**

- 2 A break-in service inspection of the generator set to insure it is ready to operate and carry the load when required, and to identify any potential problem areas.

*Performed **ONLY ONCE** following the first three months or the first 30 hours of operation after purchase of the unit and requires approximately 2.5 man-hours per unit to complete.*

*This inspection contains some maintenance tasks which require special tools, equipment, and/or knowledge to accomplish and should be performed only by an authorized Generac Service Dealer.*

- 3 An operational inspection of the generator set to insure it is ready to operate and carry the load when required, and to identify any potential problem areas.

*Performed semi-annually or following each 50 hours of operation of the unit and requires approximately 1.5 man-hours per unit to complete.*

*This inspection contains some maintenance tasks which require special tools, equipment, and/or knowledge to accomplish and should be performed only by an authorized Generac Service Dealer.*

- 4 A mid-level inspection of the generator set to insure it is ready to operate and carry the load when required, and to identify any potential problem areas.

*Performed annually or following each 100 hours of operation of the unit and requires approximately 5.0 man-hours per unit to complete.*

*This inspection contains some maintenance tasks which require special tools, equipment, and/or knowledge to accomplish and should be performed only by an authorized Generac Service Dealer.*

**NOTE: Add 20% to all times for 8 cylinder or larger engines.**

# GENERAC POWER SYSTEMS, INC.

## RECOMMENDED SCHEDULED MAINTENANCE PROGRAM SERVICE WORK TO BE PERFORMED BY FACTORY-TRAINED PERSONNEL ONLY.

### DEALER INFORMATION

NAME: \_\_\_\_\_  
ACCOUNT #: \_\_\_\_\_  
ADDRESS: \_\_\_\_\_  
\_\_\_\_\_  
PHONE: \_\_\_\_\_  
TECHNICIAN: \_\_\_\_\_  
SIGNATURE: \_\_\_\_\_

### OWNER INFORMATION

NAME: \_\_\_\_\_  
ADDRESS: \_\_\_\_\_  
\_\_\_\_\_  
SITE: \_\_\_\_\_  
PHONE: \_\_\_\_\_  
SIGNATURE: \_\_\_\_\_

PURCHASE DATE: \_\_\_\_\_ START-UP DATE: \_\_\_\_\_

APPLICATION:    \_\_\_ Standby Power            \_\_\_ Prime Power            \_\_\_ Rental/Trailerized

### GENERATOR & TRANSFER SWITCH INFORMATION

#### GENERATOR

MODEL NUMBER: \_\_\_\_\_  
SERIAL NUMBER: \_\_\_\_\_

#### TRANSFER SWITCH

MODEL NUMBER: \_\_\_\_\_  
SERIAL NUMBER: \_\_\_\_\_

HOUR METER READING *at Completion of the Inspection*: \_\_\_\_\_

### **WARNING!**

To prevent injury, perform the following steps in the order indicated before starting any maintenance:

- Disable the generator set from starting and/or connecting to the load by setting the control panel Auto-Off-Manual switch to the "OFF" position.
- Remove the control panel fuse.
- Turn off the battery charger.
- Remove the negative battery cable.

### **NOTE:**

















*The battery charger must be turned off BEFORE removing the battery cable to prevent an over current condition from burning out sensitive control panel components and circuits.*

Following all maintenance, reverse these steps to insure the unit is returned to standby setup for normal operation when required.

## 7.5L DIESEL SERVICE RECOMMENDATIONS

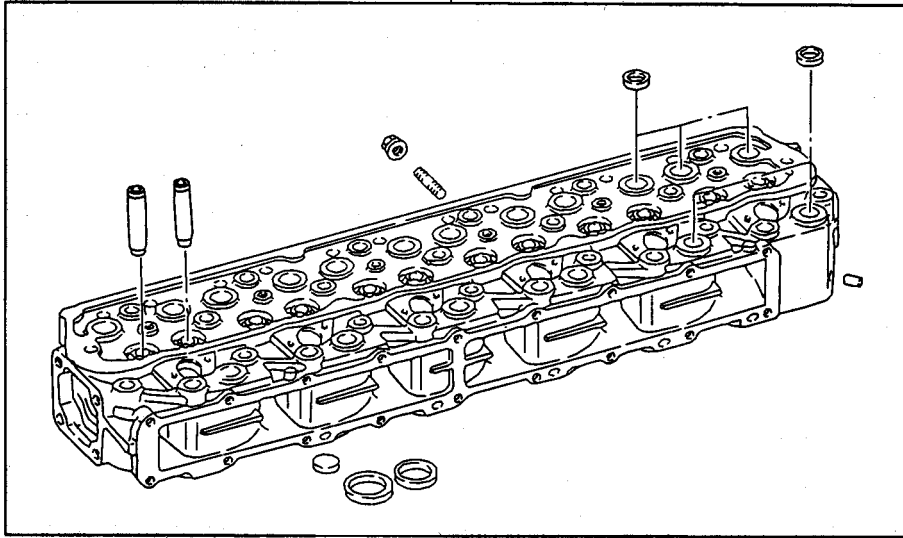
| Maintenance Tasks  | Level 1                                 | Task Comp. (Date-Initials) | Level 2  | Task Comp. (Date-Initials) | Level 3                                    | Task Comp. (Date-Initials) | Level 4                                | Task Comp. (Date-Initials) |
|--|---|----------------------------|--|----------------------------|--|----------------------------|--|----------------------------|
|  | Recommended to be done monthly/ 10 hrs. |                            | Required to be done 3 months/ Break-in 30 hrs. |                            | Required to be done Semi-annually/ 50 hrs. |                            | Required to be done Annually/ 100 hrs. |                            |
| 1. Disable the unit from operating per the first page warning.   | ○                                       |                            | ○  |                            | ○  |                            | ○                                      |                            |
| 2. Check the engine oil level. Adjust as necessary.  | ○                                       |                            | ○  |                            | ○  |                            | ○                                      |                            |
| 3. Check the engine coolant level. Adjust as necessary.  | ○                                       |                            | ○  |                            | ○  |                            | ○                                      |                            |
| 4. Check the engine coolant thermal protection level. Correct as necessary.  |   |                            |  |                            |  |                            | ○                                      |                            |
| 5. Check the diesel fuel supply level. Fill as necessary.  | ○                                       |                            | ○  |                            | ○  |                            | ○                                      |                            |
| 6. Drain water and sediment from the diesel fuel tank.   |   |                            | ○  |                            | ○  |                            | ○                                      |                            |
| 7. Drain water from the fuel line water separator if the unit is equipped with one.  |   |                            | ○  |                            | ○  |                            | ○                                      |                            |
| 8. Check the air inlets and outlets for debris. Clean as necessary.  | ○                                       |                            | ○  |                            | ○  |                            | ○                                      |                            |
| 9. Check the battery electrolyte level if accessible. Adjust as necessary.   | ○                                       |                            | ○  |                            | ○  |                            | ○                                      |                            |
| 10. Check the battery posts, cables, and charger for loose connections, corrosion, and proper operation. Correct as necessary.         | ○                                       |                            | ○  |                            | ○  |                            | ○                                      |                            |
| 11. Check the unit wiring for loose connections, corrosion, and damage. Correct as necessary.  |   |                            |  |                            |  |                            | ○                                      |                            |
| 12. Check the engine accessory drive belts for wear, weather cracking, and damage. Replace as necessary.                               |   |                            |  |                            |  |                            | ○                                      |                            |
| 13. Visually inspect the unit looking for leaks, wear or damage, loose connections or components, and corrosion. Correct as necessary. | ○                                       |                            | ○  |                            | ○  |                            | ○                                      |                            |
| 14. Test the engine and transfer switch safety devices. Correct and/or adjust as necessary.  |   |                            |  |                            |  |                            | ○                                      |                            |

## 7.5L DIESEL SERVICE RECOMMENDATIONS

| Maintenance Tasks  | Level 1<br>Recom-<br>mended<br>to be done<br>monthly/<br>10 hrs.                    | Task<br>Comp.<br>(Date-<br>Initials) | Level 2<br>Required<br>to be done<br>3 months/<br>Break-in<br>30 hrs.               | Task<br>Comp.<br>(Date-<br>Initials) | Level 3<br>Required<br>to be done<br>Semi-<br>annually/<br>50 hrs.                    | Task<br>Comp.<br>(Date-<br>Initials) | Level 4<br>Required<br>to be done<br>Annually/<br>100 hrs.                            | Task<br>Comp.<br>(Date-<br>Initials) |
|--|---|--------------------------------------|---|--------------------------------------|---|--------------------------------------|---|--------------------------------------|
| 15. Initiate an automatic start and transfer of the unit to site load and exercise it for at least 1 hour looking for leaks, loose connections or components, and abnormal operating conditions.<br>Correct as necessary.                |   |                                      |    |                                      |    |                                      |   |                                      |
| 16. Start and exercise the unit at full rated load (use a load bank if the site load is not enough) for at least 2 hours looking for leaks, loose connections or components, and abnormal operating conditions.<br>Correct as necessary. |   |                                      |   |                                      |   |                                      |    |                                      |
| 17. Change the engine oil.   |   |                                      |    |                                      |   |                                      |    |                                      |
| 18. Replace the engine oil filter(s).  |   |                                      |    |                                      |   |                                      |    |                                      |
| 19. Replace the engine fuel filter(s) and re-prime the fuel system.  |   |                                      |  |                                      |   |                                      |  |                                      |
| 20. Replace the engine air filter(s).  |   |                                      |   |                                      |   |                                      |  |                                      |
| 21. Perform a 5 minute no-load operational run of the unit looking for any post service problems.  |   |                                      |  |                                      |   |                                      |  |                                      |
| 22. Return the unit to standby setup for operation when required.  |  |                                      |  |                                      |  |                                      |  |                                      |

**7.5L DIESEL — CYLINDER HEAD ASSEMBLY**

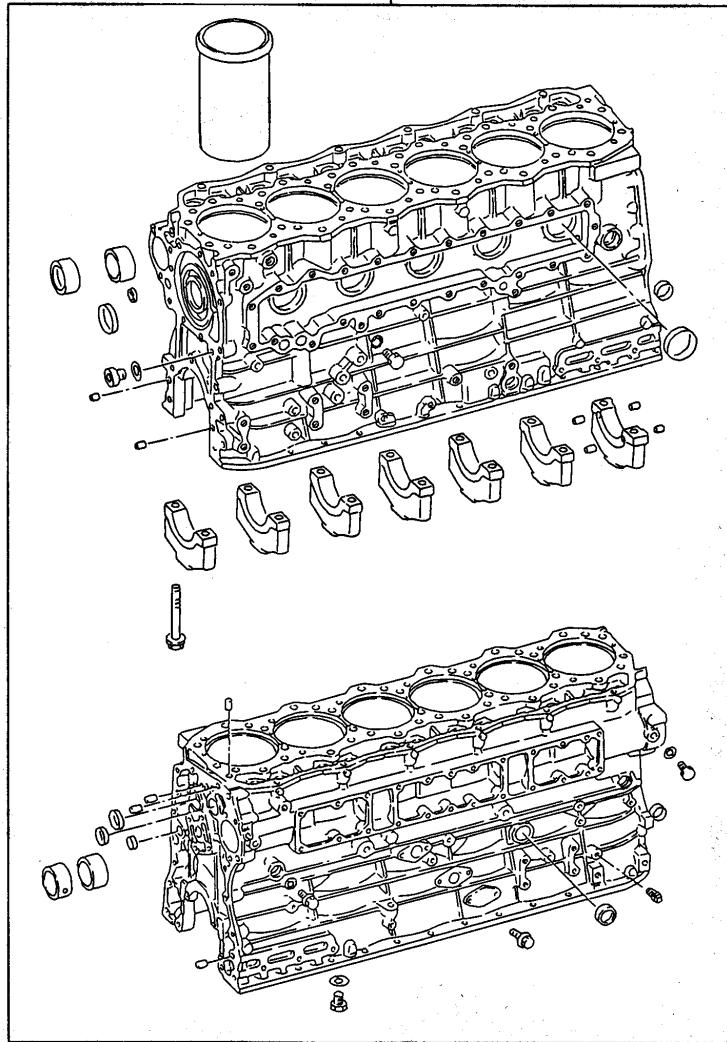
01200A



| ITEM   | PART NUMBER | DESCRIPTION        | QTY |
|--------|-------------|--------------------|-----|
| 01200A | 0D57030100  | CYLINDER HEAD ASSY | 1   |

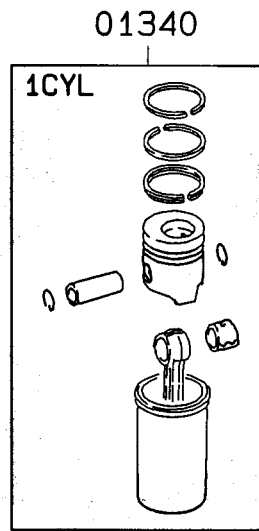
# 7.5L DIESEL — CYLINDER BLOCK ASSEMBLY

01300A



| ITEM   | PART NUMBER | DESCRIPTION         | QTY |
|--------|-------------|---------------------|-----|
| 01300A | 0D57030101  | CYLINDER BLOCK ASSY | 1   |

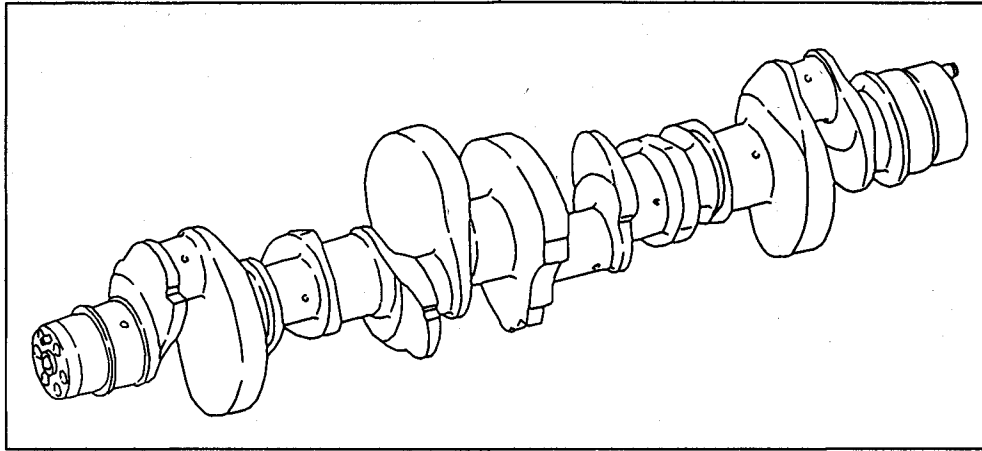
**7.5L DIESEL — LINER AND PISTON KIT**



| ITEM  | PART NUMBER | DESCRIPTION                   | QTY |
|-------|-------------|-------------------------------|-----|
| 01340 | 0D57030102  | LINER AND PISTON KIT (SIZE 1) | AR  |
|       | 0D57030103  | LINER AND PISTON KIT (SIZE 2) | AR  |
|       | 0D57030104  | LINER AND PISTON KIT (SIZE 3) | AR  |

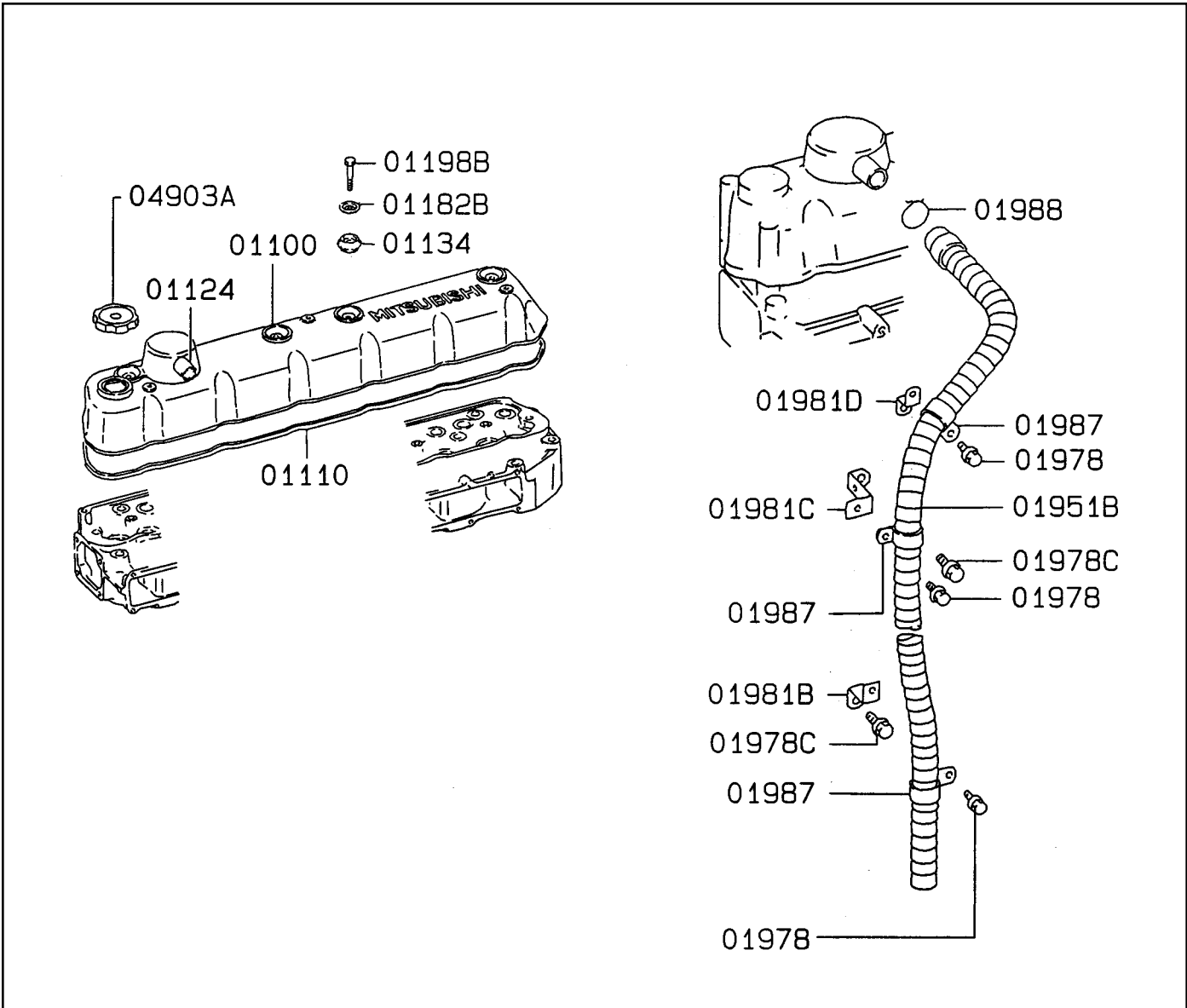
# 7.5L DIESEL — CRANKSHAFT ASSEMBLY

03000A



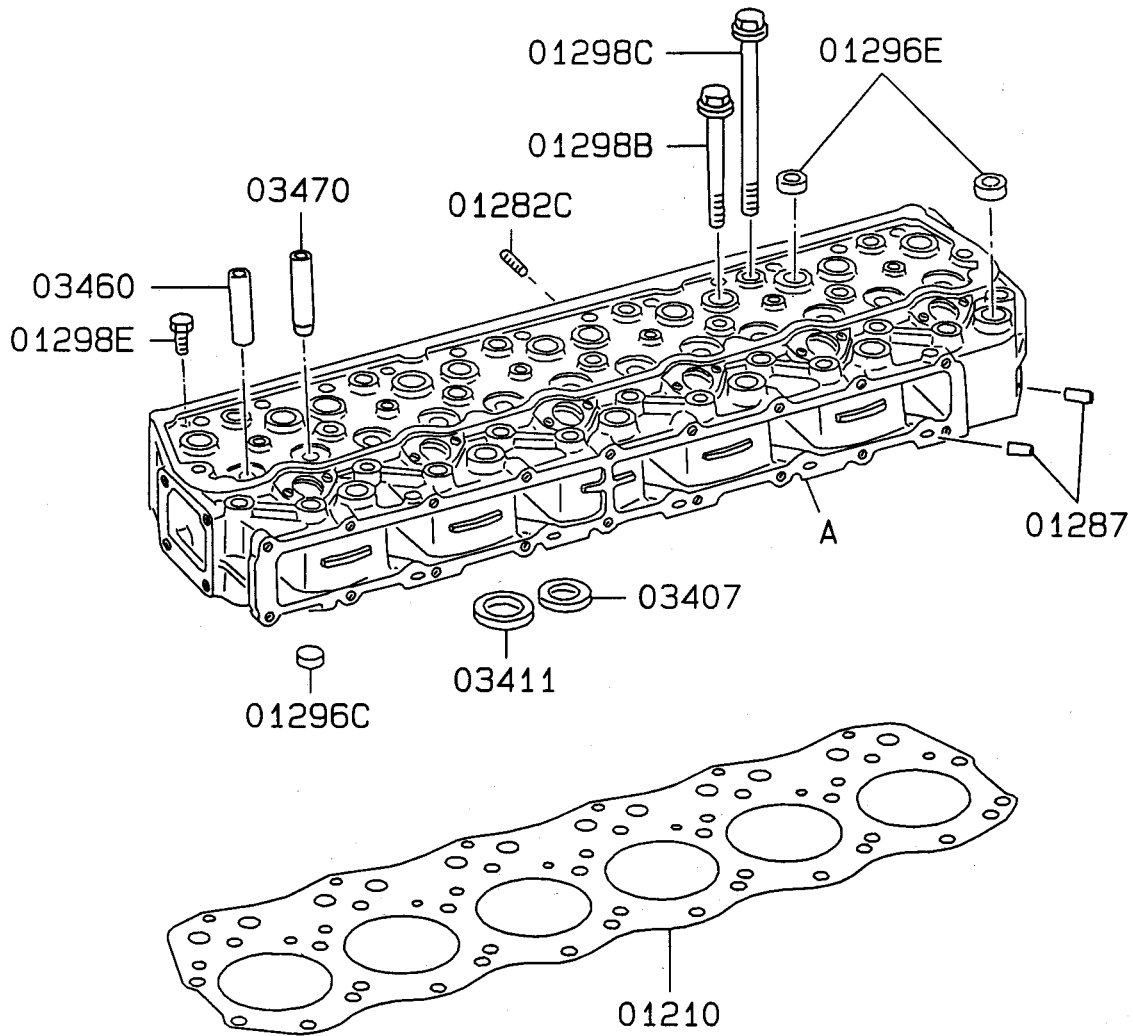
| ITEM   | PART NUMBER | DESCRIPTION     | QTY |
|--------|-------------|-----------------|-----|
| 03000A | 0D57030105  | CRANKSHAFT ASSY | 1   |

## 7.5L DIESEL — ROCKER COVER AND BREATHER



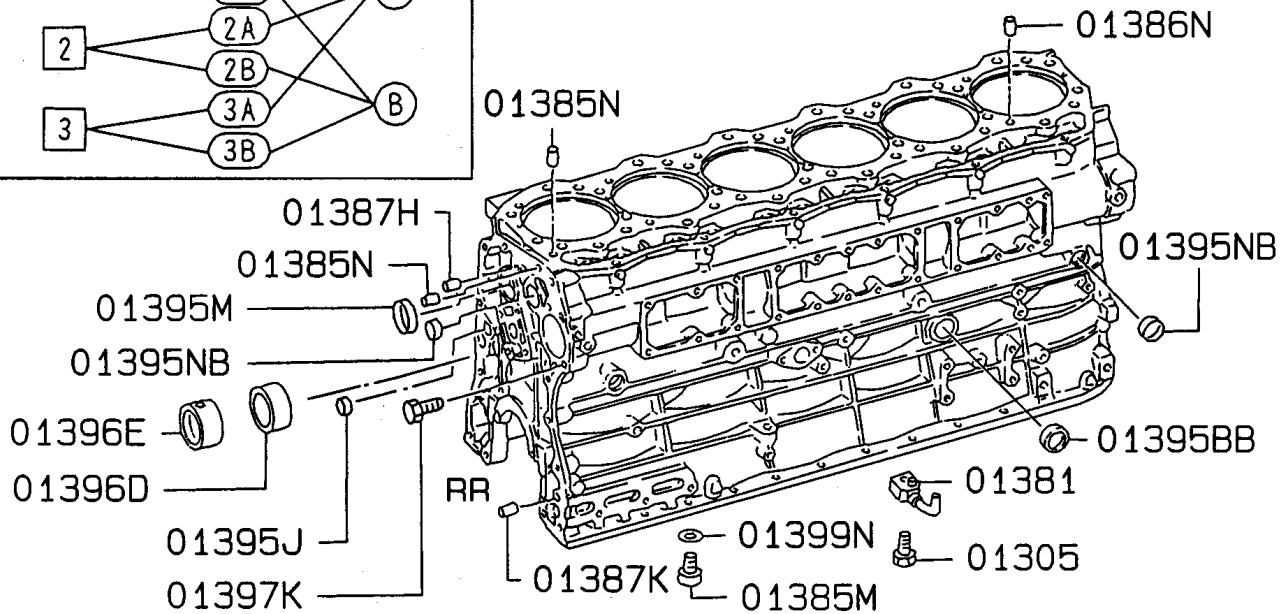
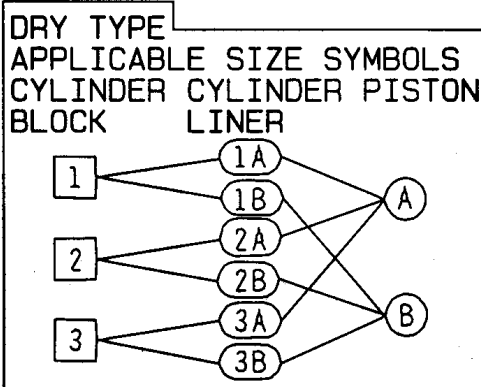
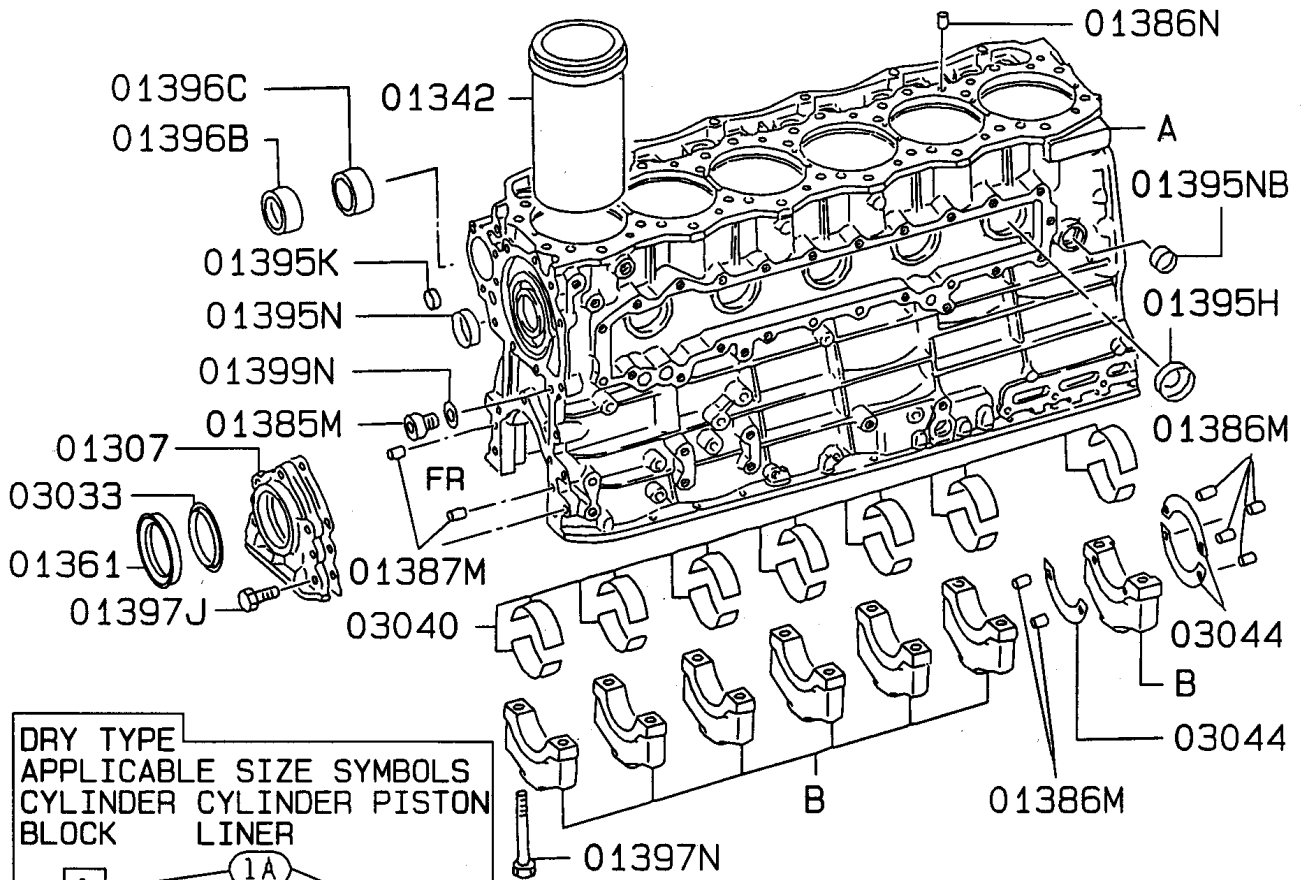
| ITEM   | PART NUMBER | DESCRIPTION                       | QTY |
|--------|-------------|-----------------------------------|-----|
| 01100  | 0D57030107  | COVER, ROCKER                     | 1   |
| 01110  | 0D57030108  | GASKET, ROCKER COVER              | 1   |
| 01124  | 0D57030109  | JOINT, ROCKER COVER BREATHER HOSE | 1   |
| 01134  | 0D57030110  | SEAL, ROCKER COVER BOLT           | 4   |
| 01182B | 0D57030111  | WASHER, ROCKER COVER              | 4   |
| 01198B | 0D57030112  | BOLT, ROCKER COVER                | 4   |
| 01951B | 0D57030113  | HOSE, ENGINE BREATHER             | 1   |
| 01978  | 0D57030114  | BOLT, ENGINE BREATHER             | 3   |
| 01978C | 0D57030115  | BOLT, ENGINE BREATHER             | 2   |
| 01981B | 0D57030116  | STAY, ENGINE BREATHER             | 1   |
| 01981C | 0D57030117  | STAY, ENGINE BREATHER             | 1   |
| 01981D | 0D57030118  | STAY, ENGINE BREATHER             | 1   |
| 01987  | 0D57030119  | CLIP, ENGINE BREATHER             | 3   |
| 01988  | 0D57030120  | CLAMP, ENGINE BREATHER            | 1   |
| 04903A | 0D57030121  | CAP ASSY, OIL FILLER              | 1   |

## 7.5L DIESEL — CYLINDER HEAD



| ITEM   | PART NUMBER | DESCRIPTION           | QTY |
|--------|-------------|-----------------------|-----|
| 01210  | 0D57030122  | GASKET, CYLINDER HEAD | 1   |
| 01282C | 0D57030123  | STUD, CYLINDER HEAD   | 12  |
| 01287  | 0D57030124  | PLUG, CYLINDER HEAD   | 6   |
| 01296C | 0D57030125  | CAP, CYLINDER HEAD    | 5   |
| 01296E | 0D57030126  | CAP, CYLINDER HEAD    | 18  |
| 01298B | 0D57030127  | BOLT, CYLINDER HEAD   | 20  |
| 01298C | 0D57030128  | BOLT, CYLINDER HEAD   | 6   |
| 01298E | 0D57030129  | BOLT, CYLINDER HEAD   | 6   |
| 03407  | 0D57030130  | SEAT, EXHAUST VALVE   | 6   |
| 03411  | 0D57030131  | SEAT, INLET VALVE     | 6   |
| 03460  | 0D57030132  | GUIDE, INLET VALVE    | 6   |
| 03470  | 0D57030133  | GUIDE, EXHAUST VALVE  | 6   |

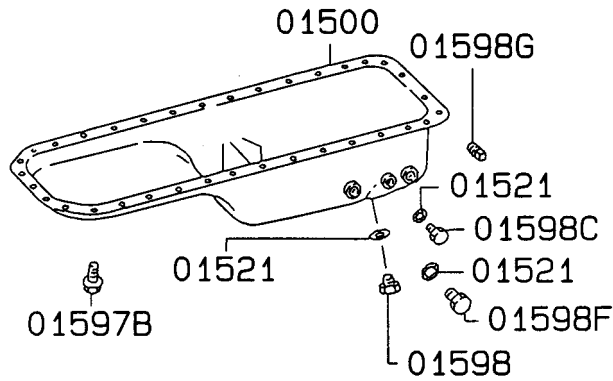
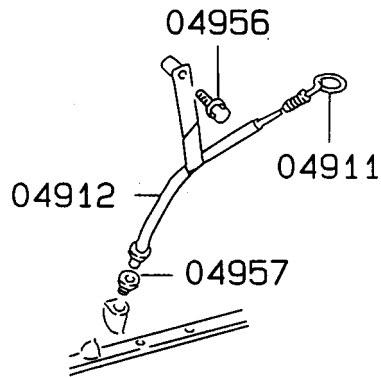
# 7.5L DIESEL — CYLINDER BLOCK



## 7.5L DIESEL — CYLINDER BLOCK

| ITEM    | PART NUMBER | DESCRIPTION                       | QTY |
|---------|-------------|-----------------------------------|-----|
| 01305   | 0D57030134  | CHECK VALVE                       | 6   |
| 01307   | 0D57030135  | COVER, CYLINDER BLOCK             | 1   |
| 01342   | 0D57030136  | CYLINDER LINER (SIZE 1)           | AR  |
|         | 0D57030137  | CYLINDER LINER (SIZE 2)           | AR  |
|         | 0D57030138  | CYLINDER LINER (SIZE 3)           | AR  |
| 01361   | 0D57030139  | OIL SEAL, CYLINDER BLOCK FR COVER | 1   |
| 01381   | 0D57030140  | OIL JET, CYLINDER BLOCK           | 6   |
| 01385M  | 0D57030141  | PLUG, CYLINDER BLOCK              | 2   |
| 01385N  | 0D57030142  | PLUG, CYLINDER BLOCK              | 3   |
| 01386M  | 0D57030143  | SPRING PIN, CYLINDER BLOCK        | 6   |
| 01386N  | 0D57030144  | SPRING PIN, CYLINDER BLOCK        | 2   |
| 01387H  | 0D57030145  | PIN, CYLINDER BLOCK               | 1   |
| 01387K  | 0D57030146  | PIN, CYLINDER BLOCK               | 1   |
| 01387M  | 0D57030147  | PIN, CYLINDER BLOCK               | 2   |
| 01395BB | 0D57030148  | CAP, CYLINDER BLOCK               | 1   |
| 01395H  | 0D57030149  | CAP, CYLINDER BLOCK               | 5   |
| 01395J  | 0D57030150  | CAP, CYLINDER BLOCK               | 1   |
| 01395K  | 0D57030151  | CAP, CYLINDER BLOCK               | 1   |
| 01395M  | 0D57030152  | CAP, CYLINDER BLOCK               | 1   |
| 01395N  | 0D57030153  | CAP, CYLINDER BLOCK               | 1   |
| 01395NB | 0D57030154  | CAP, CYLINDER BLOCK               | 9   |
| 01396B  | 0D57030155  | BUSHING, CYLINDER BLOCK           | 1   |
| 01396C  | 0D57030156  | BUSHING, CYLINDER BLOCK           | 1   |
| 01396D  | 0D57030157  | BUSHING, CYLINDER BLOCK           | 1   |
| 01396E  | 0D57030158  | BUSHING, CYLINDER BLOCK           | 1   |
| 01397J  | 0D57030159  | BOLT, CYLINDER BLOCK              | 5   |
| 01397K  | 0D57030160  | BOLT, CYLINDER BLOCK              | 5   |
| 01397N  | 0D57030161  | BOLT, CYLINDER BLOCK              | 14  |
| 01399N  | 0D57030162  | GASKET, CYLINDER BLOCK            | 2   |
| 03033   | 0D57030163  | OIL SLINGER, CRANKSHAFT, FR       | 1   |
| 03040   | 0D57030164  | BEARING SET, CRANKSHAFT STD       | 1   |
|         | 0D57030165  | BEARING SET, CRANKSHAFT U/S 0.25  | AR  |
|         | 0D57030166  | BEARING SET, CRANKSHAFT U/S 0.50  | AR  |
|         | 0D57030167  | BEARING SET, CRANKSHAFT U/S 0.75  | AR  |
|         | 0D57030168  | BEARING SET, CRANKSHAFT U/S 1.00  | AR  |
| 03044   | 0D57030169  | PLATE, CRANKSHAFT THRUST STD      | 3   |
|         | 0D57030170  | PLATE, CRANKSHAFT THRUST O/S 0.15 | AR  |
|         | 0D57030171  | PLATE, CRANKSHAFT THRUST O/S 0.30 | AR  |
|         | 0D57030172  | PLATE, CRANKSHAFT THRUST O/S 0.45 | AR  |

## 7.5L DIESEL — OIL PAN ASSEMBLY



| ITEM   | PART NUMBER | DESCRIPTION                       | QTY |
|--------|-------------|-----------------------------------|-----|
| 01500  | 0D57030173  | OIL PAN, ENGINE                   | 1   |
| 01521  | 0D57030174  | GASKET, ENGINE OIL PAN DRAIN PLUG | 3   |
| 01597B | 0D57030175  | BOLT, ENGINE OIL PAN              | 35  |
| 01598  | 0D57030176  | PLUG, ENGINE OIL PAN              | 1   |
| 01598C | 0D57030177  | PLUG, ENGINE OIL PAN              | 1   |
| 01598F | 0D57030178  | PLUG, ENGINE OIL PAN              | 1   |
| 01598G | 0D57030179  | PLUG, ENGINE OIL PAN              | 1   |
| 04911  | 0D57030475  | GAUGE, OIL LEVEL                  | 1   |
| 04912  | 0D57030476  | GUIDE, OIL LEVEL GAUGE            | 1   |
| 04956  | 0A45310210  | BOLT, OIL FILLER                  | 1   |
| 04957  | 0D57030477  | BUSHING, OIL FILLER               | 1   |

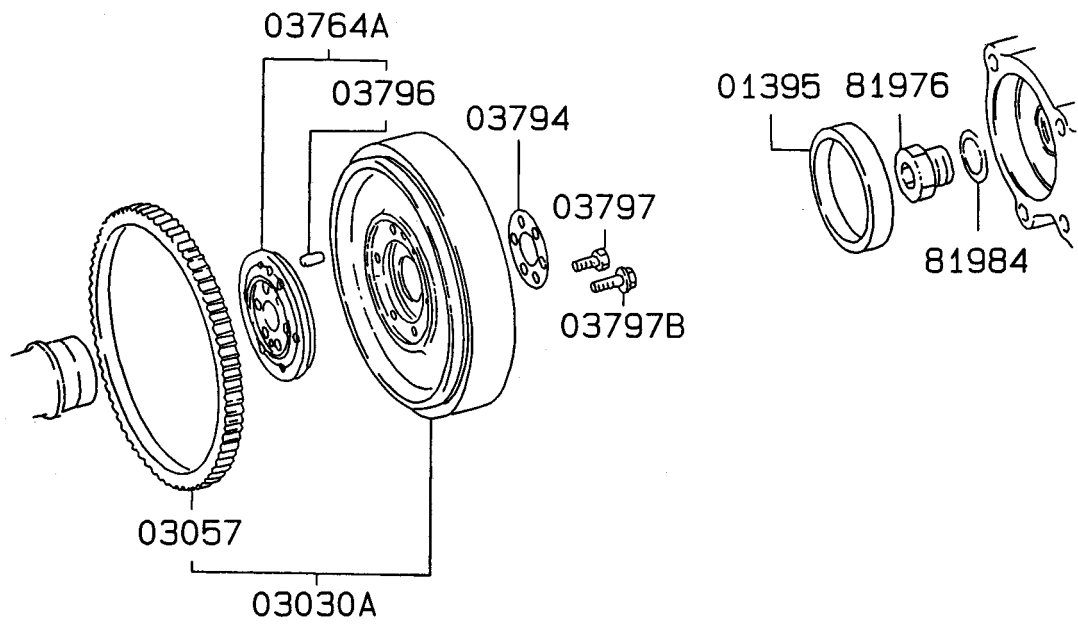
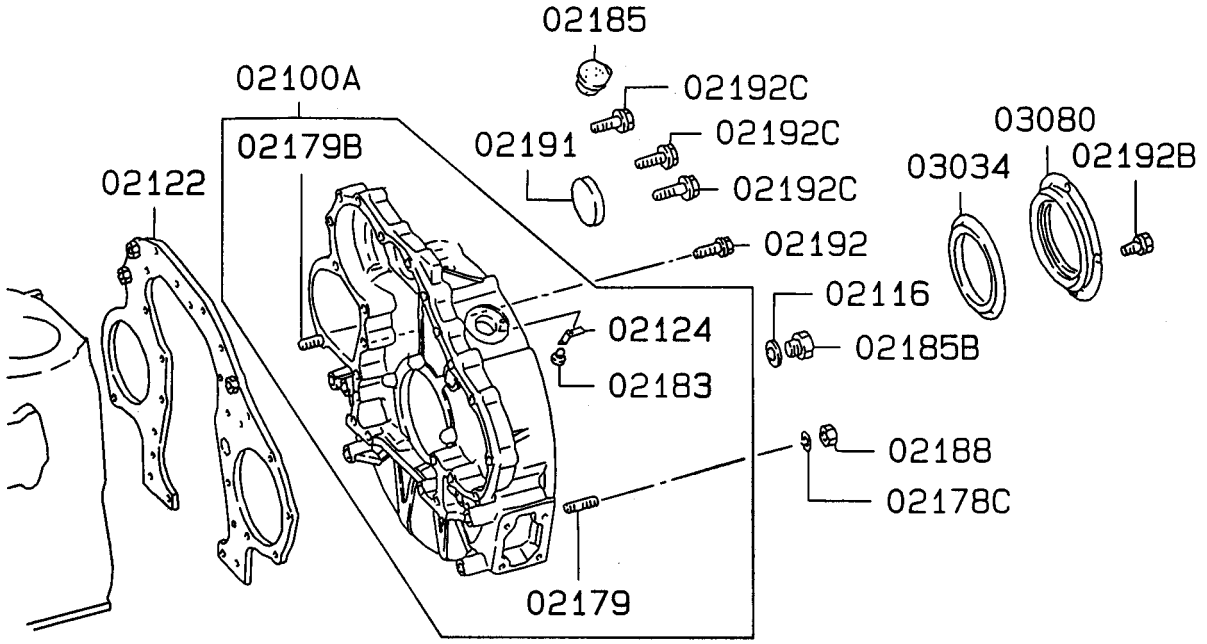
7.5L DIESEL — ENGINE GASKET KIT

01070

The part number of engine overhaul gasket kit is that of the kit used for the standard engine. Please note that if the engine is provided with equipment other than the standard one, there is a kit component shortage or overage.

| ITEM  | PART NUMBER | DESCRIPTION                | QTY |
|-------|-------------|----------------------------|-----|
| 01070 | 0D57030106  | ENGINE OVERHAUL GASKET KIT | AR  |

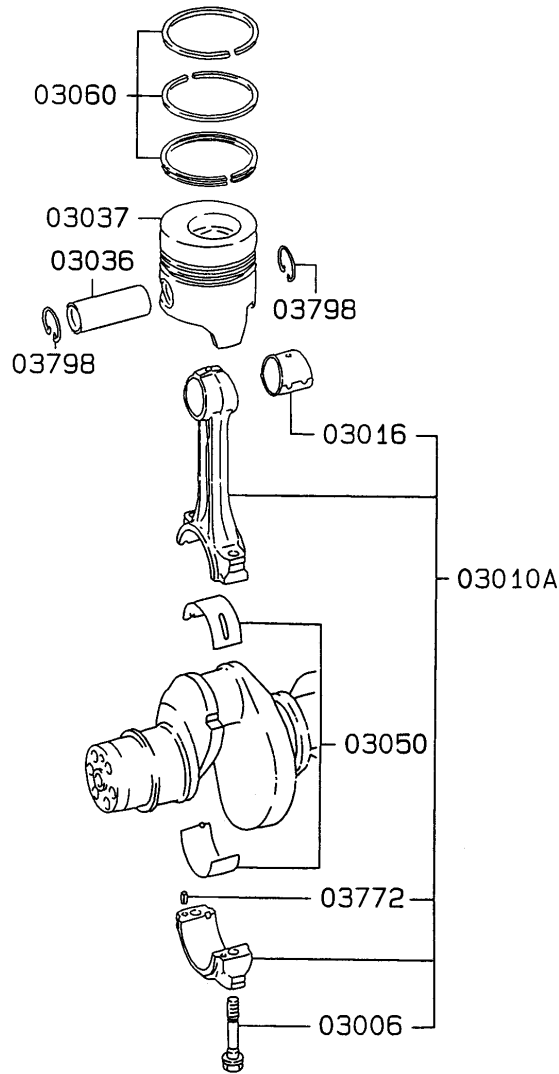
# 7.5L DIESEL — FLYWHEEL AND HOUSING



## 7.5L DIESEL — FLYWHEEL AND HOUSING

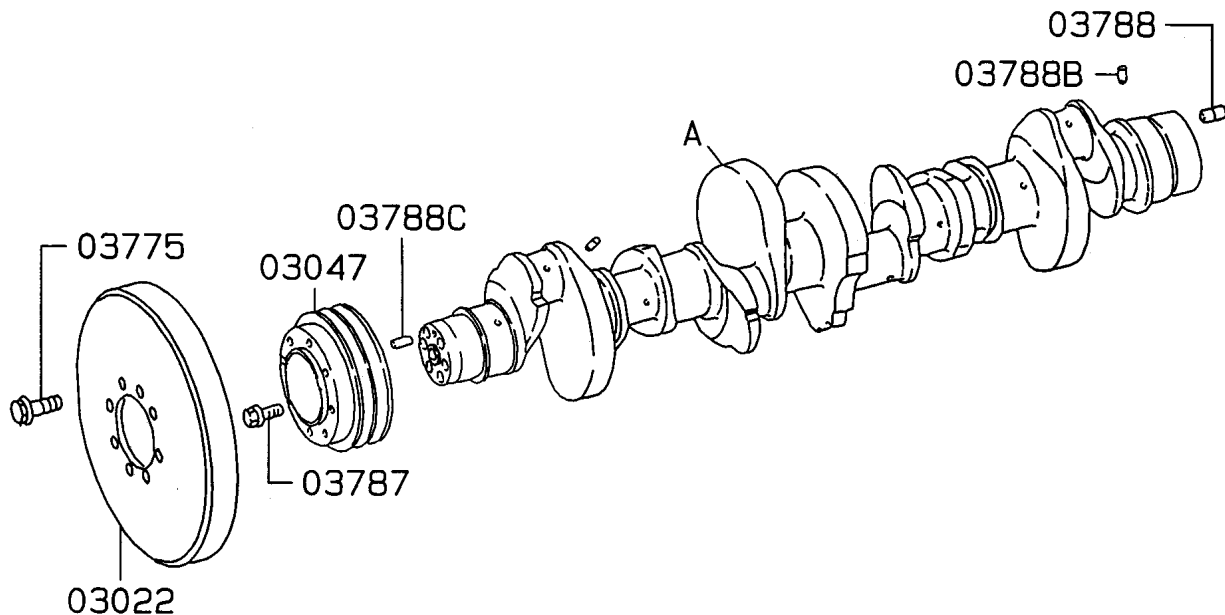
| ITEM   | PART NUMBER | DESCRIPTION                          | QTY |
|--------|-------------|--------------------------------------|-----|
| 01395  | 0D57030180  | CAP, CYLINDER BLOCK                  | 1   |
| 02100A | 0D57030181  | HOUSING ASSY, FLYWHEEL               | 1   |
| 02116  | 0D57030174  | GASKET, FLYWHEEL HOUSING             | 1   |
| 02122  | 0D57030182  | PLATE, CYLINDER BLOCK, RR            | 1   |
| 02124  | 0D57030183  | POINTER, FLYWHEEL HOUSING ENG TIMING | 1   |
| 02178C | 0D57030184  | WASHER, FLYWHEEL HOUSING             | 12  |
| 02179  | 0D57030185  | STUD, FLYWHEEL HOUSING               | 12  |
| 02179B | 0D57030186  | STUD, FLYWHEEL HOUSING               | 1   |
| 02183  | 0D57030187  | SCREW, FLYWHEEL HOUSING              | 1   |
| 02185  | 0D57030188  | PLUG, FLYWHEEL HOUSING               | 1   |
| 02185B | 0D57030178  | PLUG, FLYWHEEL HOUSING               | 1   |
| 02188  | 0D57030189  | NUT, FLYWHEEL HOUSING                | 12  |
| 02191  | 0D57030190  | CAP, FLYWHEEL HOUSING                | 1   |
| 02192  | 0D57030191  | BOLT, FLYWHEEL HOUSING               | 8   |
| 02192B | 0D57030192  | BOLT, FLYWHEEL HOUSING               | 5   |
| 02192C | 0D57030193  | BOLT, FLYWHEEL HOUSING 10 x 50       | 1   |
|        | 0D57030194  | BOLT, FLYWHEEL HOUSING 10 x 55       | 5   |
|        | 0D57030195  | BOLT, FLYWHEEL HOUSING 10 x 65       | 1   |
| 03030A | 0D57030196  | FLYWHEEL ASSEMBLY                    | 1   |
| 03034  | 0D57030197  | OIL SLINGER, CRANKSHAFT, RR          | 1   |
| 03057  | 0D57030198  | RING GEAR, FLYWHEEL                  | 1   |
| 03080  | 0D57030199  | OIL SEAL, CRANKSHAFT, RR             | 1   |
| 03764A | 0D57030200  | COUPLING ASSY, FLYWHEEL              | 1   |
| 03794  | 0D57030201  | WASHER, FLYWHEEL                     | 1   |
| 03796  | 0D57030202  | PIN, FLYWHEEL                        | 1   |
| 03797  | 0D57030203  | BOLT, FLYWHEEL                       | 6   |
| 03797B | 0D57030204  | BOLT, FLYWHEEL                       | 6   |
| 81976  | 0D57030141  | PLUG, TACHOMETER DRIVE               | 1   |
| 81984  | 0D57030174  | GASKET, SPEEDOMETER GEAR             | 1   |

## 7.5L DIESEL — PISTON AND CONNECTING ROD



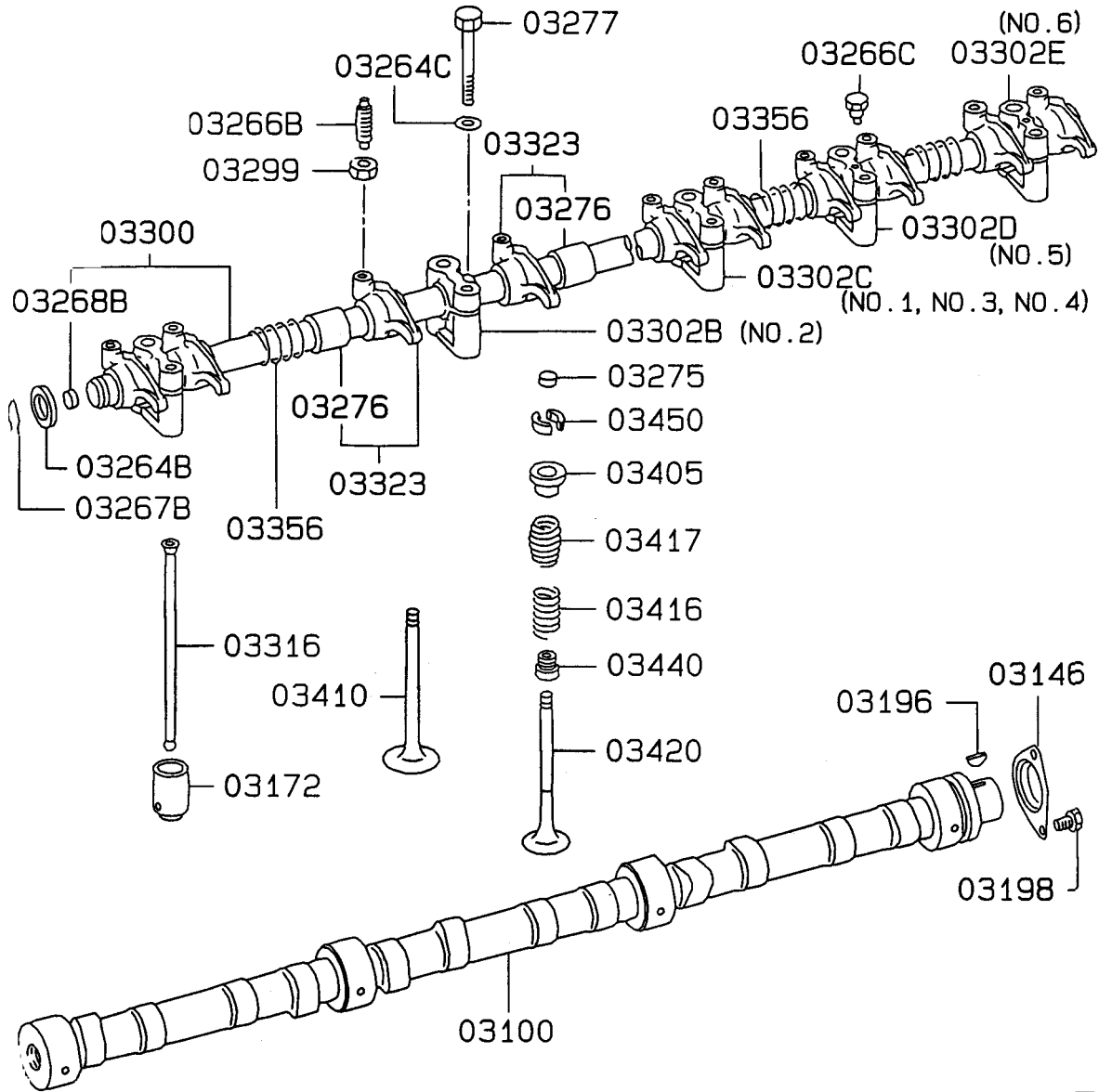
| ITEM   | PART NUMBER | DESCRIPTION                    | QTY |
|--------|-------------|--------------------------------|-----|
| 03006  | 0D57030205  | BOLT, CONNECTING ROD           | 12  |
| 03010A | 0D57030206  | CONNECTING ROD ASSY            | 6   |
| 03016  | 0D57030207  | BUSHING, CONNECTING ROD        | 6   |
| 03036  | 0D57030209  | PIN, PISTON                    | 6   |
| 03037  | 0D57030210  | PISTON SIZE A                  | AR  |
|        | 0D57030211  | PISTON SIZE B                  | AR  |
| 03050  | 0D57030213  | BEARING SET, CONN ROD STD      | 6   |
|        | 0D57030214  | BEARING SET, CONN ROD U/S 0.25 | AR  |
|        | 0D57030215  | BEARING SET, CONN ROD U/S 0.50 | AR  |
|        | 0D57030216  | BEARING SET, CONN ROD U/S 0.75 | AR  |
|        | 0D57030217  | BEARING SET, CONN ROD U/S 1.00 | AR  |
| 03060  | 0D57030218  | RING SET, PISTON               | 6   |
| 03772  | 0D57030219  | PIN, CONNECTING ROD            | 12  |
| 03798  | 0D57030223  | SNAP RING, PISTON              | 12  |

7.5L DIESEL — CRANKSHAFT



| ITEM   | PART NUMBER | DESCRIPTION                  | QTY |
|--------|-------------|------------------------------|-----|
| 03022  | 0D57030208  | DAMPER, CRANKSHAFT TORSIONAL | 1   |
| 03047  | 0D57030212  | PULLEY, CRANKSHAFT           | 1   |
| 03775  | 0D57030220  | BOLT, TORSIONAL DAMPER       | 8   |
| 03787  | 0D57030221  | BOLT, CRANKSHAFT PULLEY      | 6   |
| 03788  | 0D57030202  | PIN, CRANKSHAFT              | 1   |
| 03788B | 0D57030222  | PIN, CRANKSHAFT              | 1   |
| 03788C | 0D57030147  | PIN, CRANKSHAFT              | 1   |

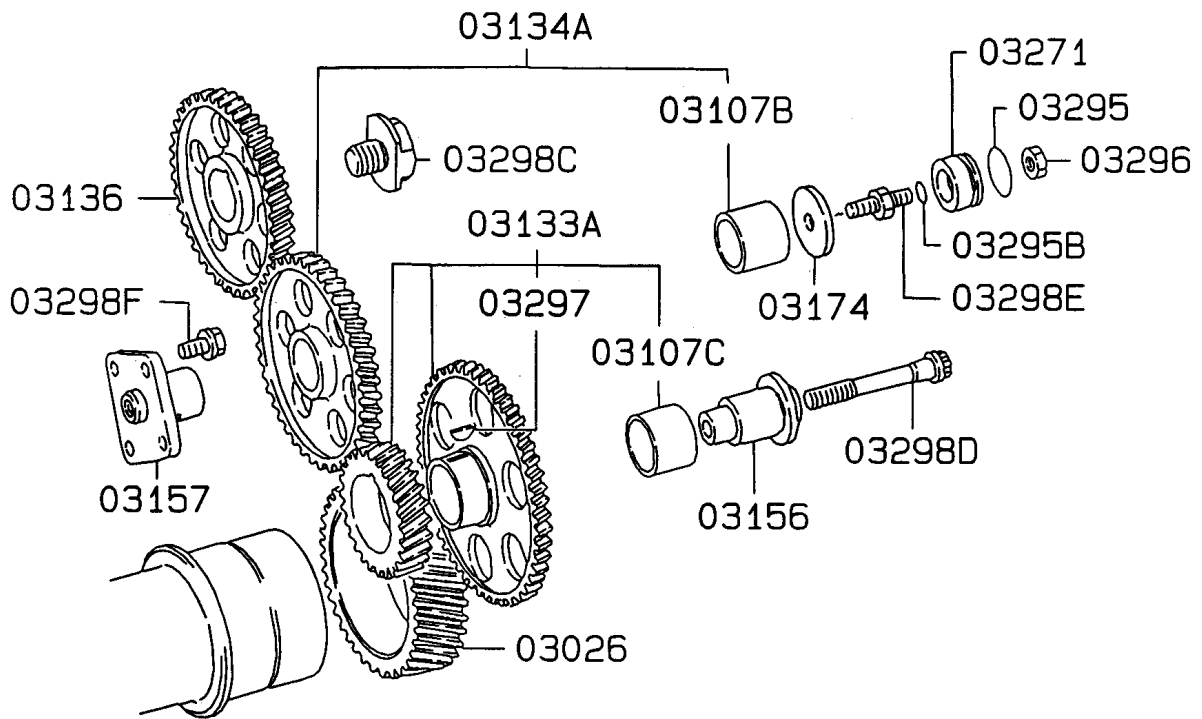
# 7.5L DIESEL — CAMSHAFT AND VALVE



## 7.5L DIESEL — CAMSHAFT AND VALVE

| ITEM   | PART NUMBER | DESCRIPTION                       | QTY |
|--------|-------------|-----------------------------------|-----|
| 03100  | 0D57030224  | CAMSHAFT                          | 1   |
| 03146  | 0D57030225  | PLATE, CAMSHAFT THRUST            | 1   |
| 03172  | 0D57030226  | TAPPET, VALVE                     | 12  |
| 03196  | 0D57030227  | KEY, CAMSHAFT                     | 1   |
| 03198  | 0D57030228  | BOLT, CAMSHAFT                    | 2   |
| 03264B | 0D57030229  | WASHER, VALVE GEAR TRAIN          | 2   |
| 03264C | 0D57030230  | WASHER, VALVE GEAR TRAIN          | 6   |
| 03266B | 0D57030231  | SCREW, VALVE GEAR TRAIN           | 12  |
| 03266C | 0D57030232  | SCREW, VALVE GEAR TRAIN           | 1   |
| 03267B | 0D57030233  | SNAP RING, VALVE GEAR TRAIN       | 2   |
| 03268B | 0D57030234  | PLUG, VALVE GEAR TRAIN            | 2   |
| 03275  | 0D57030235  | CAP, VALVE GEAR TRAIN             | 12  |
| 03276  | 0D57030236  | BUSHING, VALVE GEAR TRAIN         | 12  |
| 03277  | 0D57030237  | BOLT, VALVE GEAR TRAIN            | 6   |
| 03299  | 0D57030238  | NUT, VALVE GEAR TRAIN             | 12  |
| 03300  | 0D57030239  | SHAFT, ROCKER ARM                 | 1   |
| 03302B | 0D57030240  | BRACKET, ROCKER SHAFT             | 1   |
| 03302C | 0D57030241  | BRACKET, ROCKER SHAFT             | 3   |
| 03302D | 0D57030242  | BRACKET, ROCKER SHAFT             | 1   |
| 03302E | 0D57030243  | BRACKET, ROCKER SHAFT             | 1   |
| 03316  | 0D57030244  | PUSH ROD, ROCKER ARM              | 12  |
| 03323  | 0D57030245  | ROCKER ARM, INLET & EXHAUST VALVE | 12  |
| 03356  | 0D57030246  | SPRING, ROCKER SHAFT              | 5   |
| 03405  | 0D57030247  | RETAINER, VALVE SPRING            | 12  |
| 03410  | 0D57030248  | VALVE, INTAKE                     | 6   |
| 03416  | 0D57030249  | SPRING, VALVE, INNER              | 12  |
| 03417  | 0D57030250  | SPRING, VALVE, OUTER              | 12  |
| 03420  | 0D57030251  | VALVE, EXHAUST                    | 6   |
| 03440  | 0D57030252  | SEAL, VALVE STEM                  | 12  |
| 03450  | 0D57030253  | LOCK, VALVE SPRING RETAINER       | 24  |

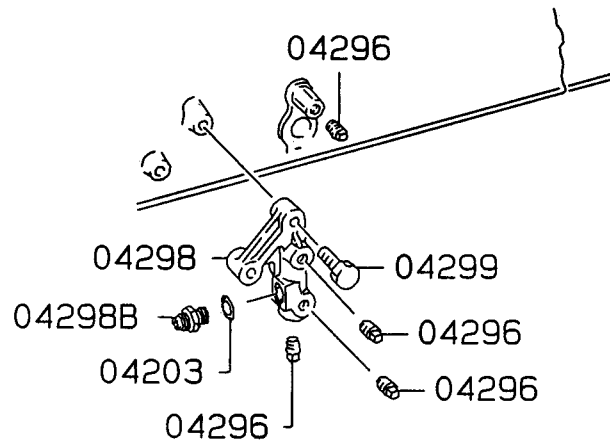
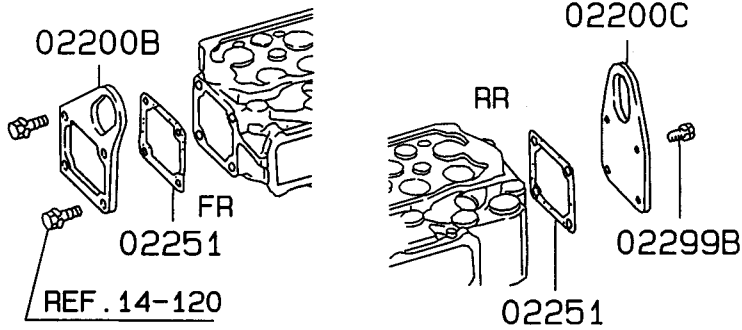
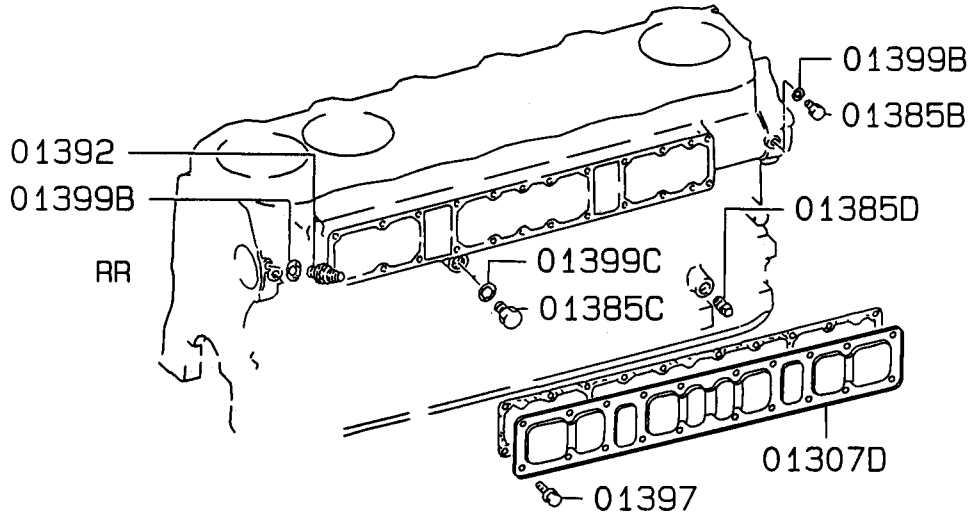
# 7.5L DIESEL — TIMING GEAR



**7.5L DIESEL — TIMING GEAR**

| ITEM   | PART NUMBER | DESCRIPTION                      | QTY |
|--------|-------------|----------------------------------|-----|
| 03026  | 0D57030254  | GEAR, CRANKSHAFT                 | 1   |
| 03107B | 0D57030255  | BUSHING, TIMING GEAR TRAIN       | 1   |
| 03107C | 0D57030256  | BUSHING, TIMING GEAR TRAIN       | 1   |
| 03133A | 0D57030257  | GEAR ASSY, CAM IDLER 1ST         | 1   |
| 03134A | 0D57030258  | GEAR ASSY, CAM IDLER 2ND         | 1   |
| 03136  | 0D57030259  | GEAR, CAMSHAFT                   | 1   |
| 03156  | 0D57030260  | SHAFT, CAM IDLER 1ST GEAR        | 1   |
| 03157  | 0D57030261  | SHAFT, CAM IDLER 2ND GEAR        | 1   |
| 03174  | 0D57030262  | THRUST WASHER, TIMING GEAR TRAIN | 1   |
| 03271  | 0D57030263  | COLLAR, TIMING GEAR TRAIN        | 1   |
| 03295  | 0D57030264  | O-RING, TIMING GEAR TRAIN        | 1   |
| 03295B | 0D57030265  | O-RING, TIMING GEAR TRAIN        | 1   |
| 03296  | 0D57030266  | NUT, TIMING GEAR TRAIN           | 1   |
| 03297  | 0D57030227  | KEY, TIMING GEAR TRAIN           | 1   |
| 03298C | 0D57030267  | BOLT, TIMING GEAR TRAIN          | 1   |
| 03298D | 0D57030268  | BOLT, TIMING GEAR TRAIN          | 1   |
| 03298E | 0D57030269  | BOLT, TIMING GEAR TRAIN          | 1   |
| 03298F | 0D57030270  | BOLT, TIMING GEAR TRAIN          | 4   |

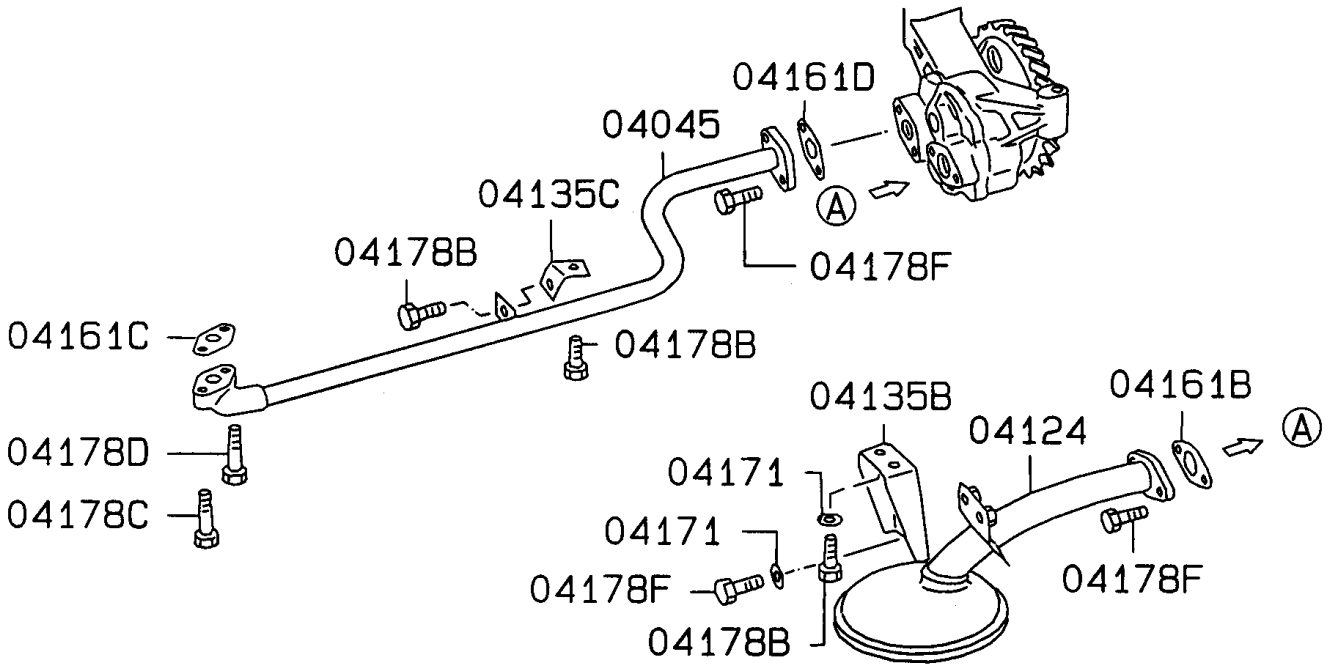
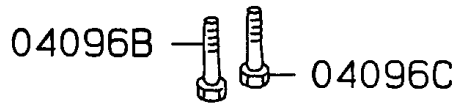
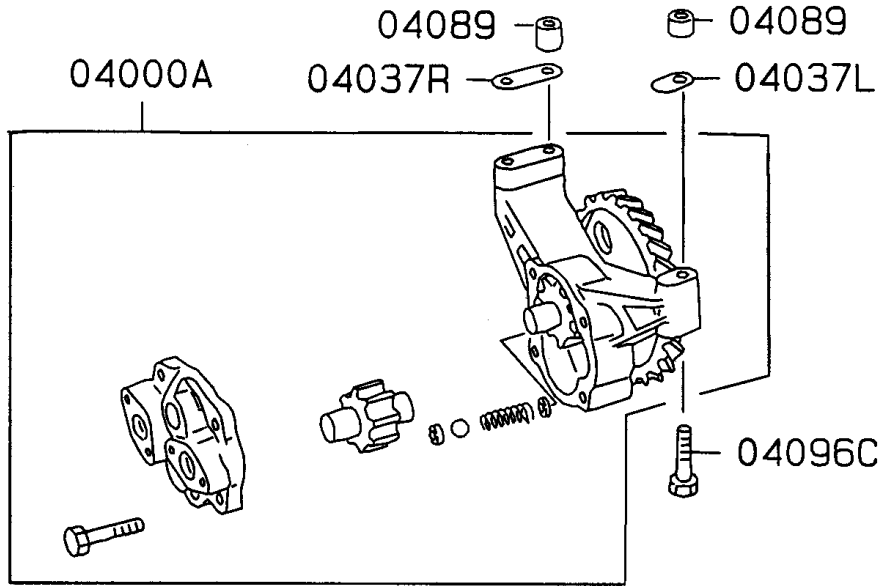
# 7.5L DIESEL — ATTACHING PARTS



## 7.5L DIESEL — ATTACHING PARTS

| ITEM   | PART NUMBER | DESCRIPTION                       | QTY |
|--------|-------------|-----------------------------------|-----|
| 01307D | 0D57030271  | COVER, CYLINDER BLOCK             | 1   |
| 01385B | 0D57030272  | PLUG, CYLINDER BLOCK              | 1   |
| 01385C | 0D57030273  | PLUG, CYLINDER BLOCK              | 1   |
| 01385D | 0D57030274  | PLUG, CYLINDER BLOCK              | 1   |
| 01392  | 0D57030275  | JOINT, CYLINDER BLOCK             | 1   |
| 01397  | 0D57030276  | BOLT, CYLINDER BLOCK              | 20  |
| 01399B | 0D57030277  | GASKET, CYLINDER BLOCK            | 2   |
| 01399C | 0D57030162  | GASKET, CYLINDER BLOCK            | 1   |
| 02200B | 0D57030278  | ENGINE HANGER                     | 1   |
| 02200C | 0D57030279  | ENGINE HANGER                     | 1   |
| 02251  | 0D57030280  | GASKET, ENGINE HANGER             | 2   |
| 02299B | 0D57030281  | BOLT, ENGINE HANGER               | 4   |
| 04203  | 0D57030277  | GASKET, ENGINE OIL PRESSURE GAUGE | 1   |
| 04296  | 0D57030282  | PLUG, ENGINE OIL PRESSURE GAUGE   | 4   |
| 04298  | 0D57030283  | JOINT, ENGINE OIL PRESSURE GAUGE  | 1   |
| 04298B | 0D57030284  | JOINT, ENGINE OIL PRESSURE GAUGE  | 1   |
| 04299  | 0D57030285  | BOLT, ENGINE OIL PRESSURE GAUGE   | 2   |

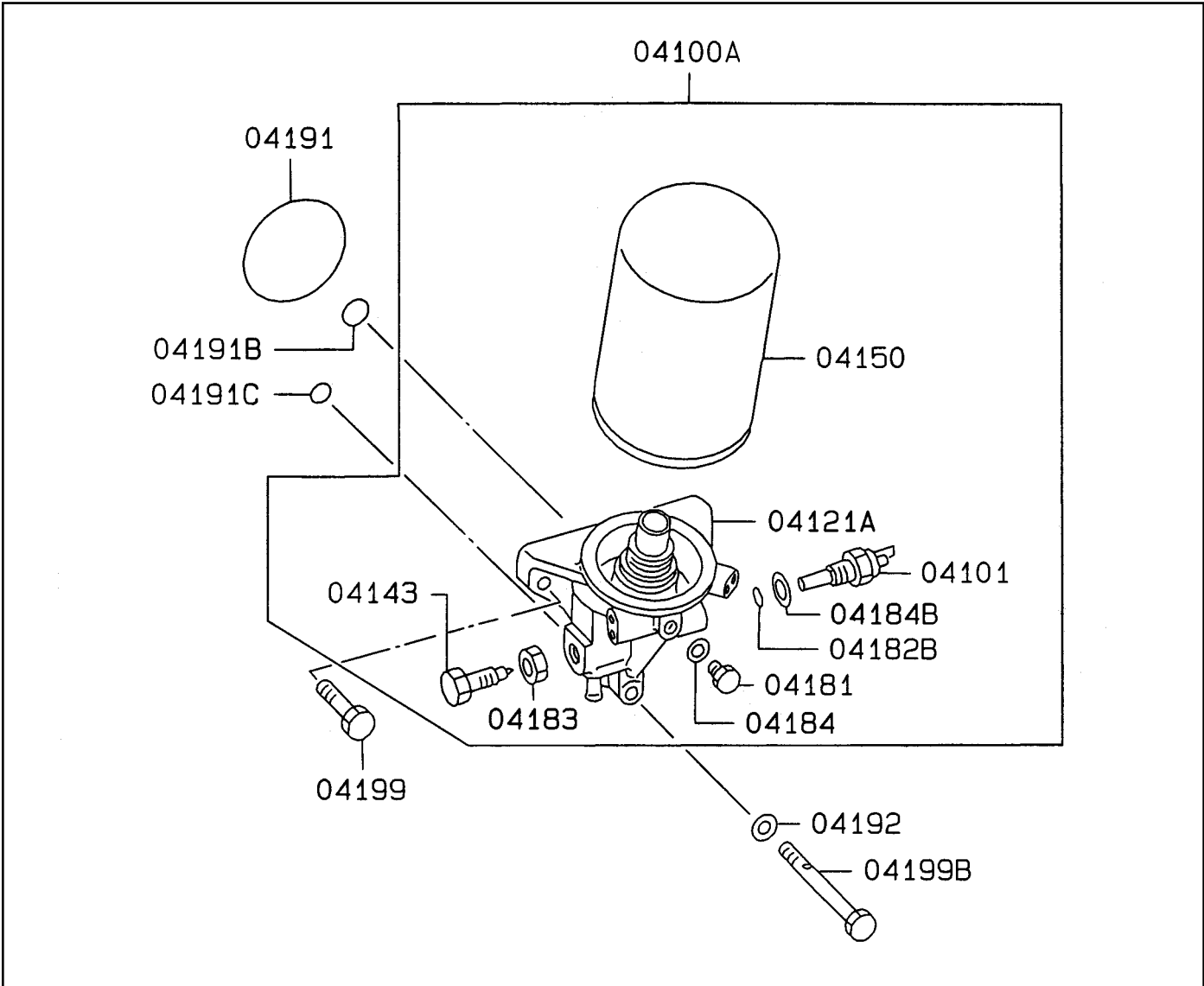
# 7.5L DIESEL — OIL PUMP AND STRAINER



## 7.5L DIESEL — OIL PUMP AND STRAINER

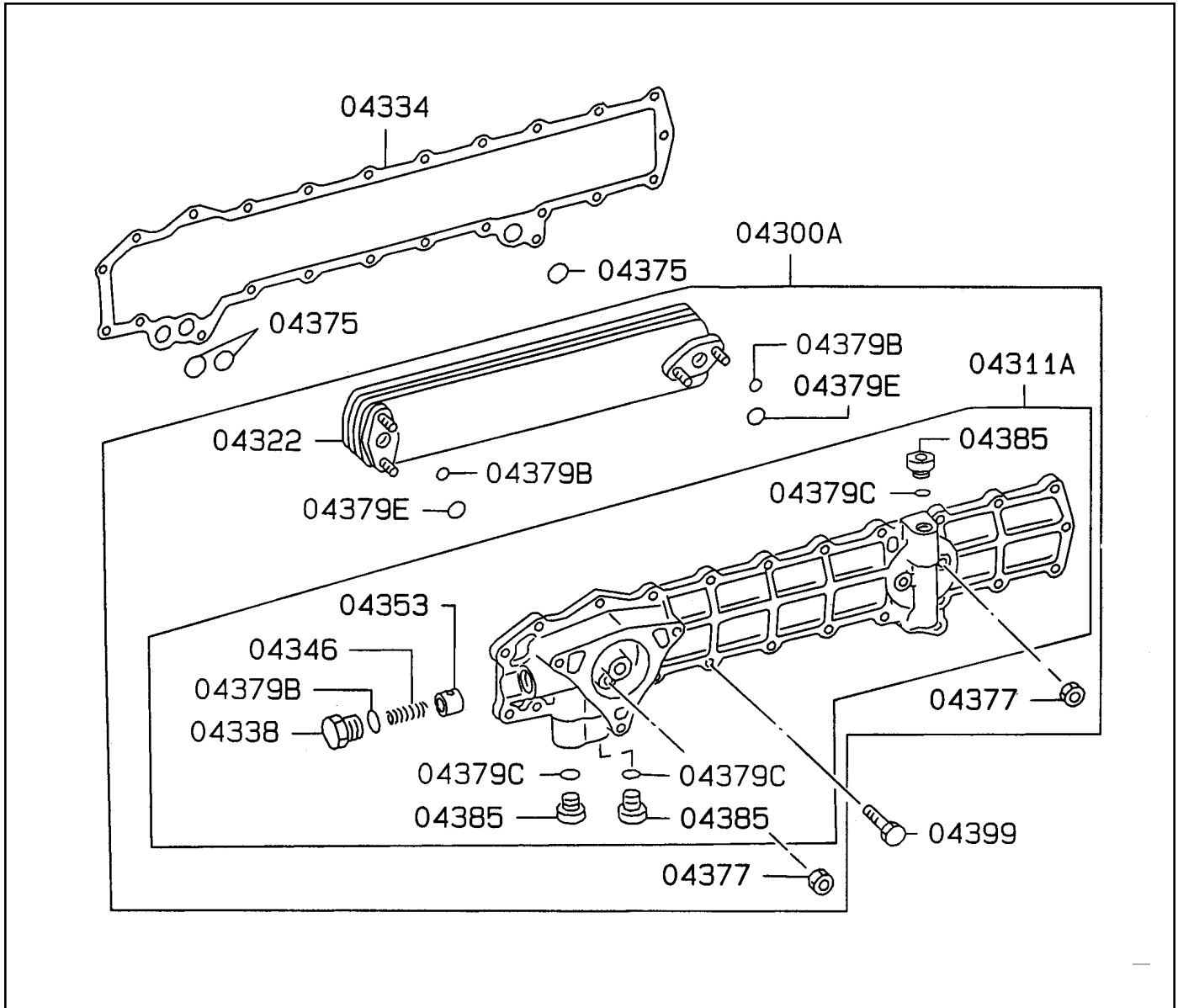
| ITEM   | PART NUMBER | DESCRIPTION                           | QTY |
|--------|-------------|---------------------------------------|-----|
| 04000A | 0D57030288  | OIL PUMP ASSEMBLY                     | 1   |
| 04037L | 0D57030289  | SHIM, ENGINE OIL PUMP CASE, LH, T=0.1 | AR  |
|        | 0D57030290  | SHIM, ENGINE OIL PUMP CASE, LH, T=0.2 | AR  |
| 04037R | 0D57030291  | SHIM, ENGINE OIL PUMP CASE, RH, T=0.1 | AR  |
|        | 0D57030292  | SHIM, ENGINE OIL PUMP CASE, RH, T=0.2 | AR  |
| 04045  | 0D57030293  | TUBE, ENGINE OIL PUMP OUTLET          | 1   |
| 04089  | 0D57030294  | PIN, ENGINE OIL PUMP                  | 2   |
| 04096B | 0D57030193  | BOLT, ENGINE OIL PUMP                 | 1   |
| 04096C | 0D57030195  | BOLT, ENGINE OIL PUMP                 | 2   |
| 04124  | 0D57030295  | STRAINER, ENGINE OIL PAN              | 1   |
| 04135B | 0D57030296  | STAY, OIL STRAINER                    | 1   |
| 04135C | 0D57030297  | STAY, OIL STRAINER                    | 1   |
| 04161B | 0D57030298  | GASKET, OIL STRAINER                  | 1   |
| 04161C | 0D57030299  | GASKET, OIL STRAINER                  | 1   |
| 04161D | 0D57030300  | GASKET, OIL STRAINER                  | 1   |
| 04171  | 0D57030301  | WASHER, OIL STRAINER                  | 4   |
| 04178B | 0D57030228  | BOLT, OIL STRAINER                    | 4   |
| 04178C | 0D57030302  | BOLT, OIL STRAINER                    | 1   |
| 04178D | 0D57030303  | BOLT, OIL STRAINER                    | 1   |
| 04178F | 0D57030304  | BOLT, OIL STRAINER                    | 6   |

# 7.5L DIESEL — OIL FILTER



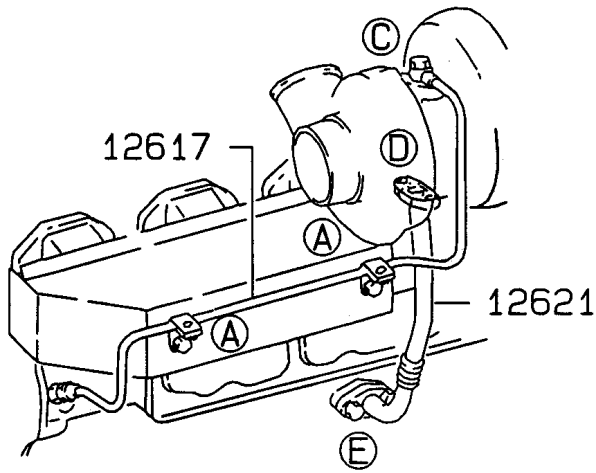
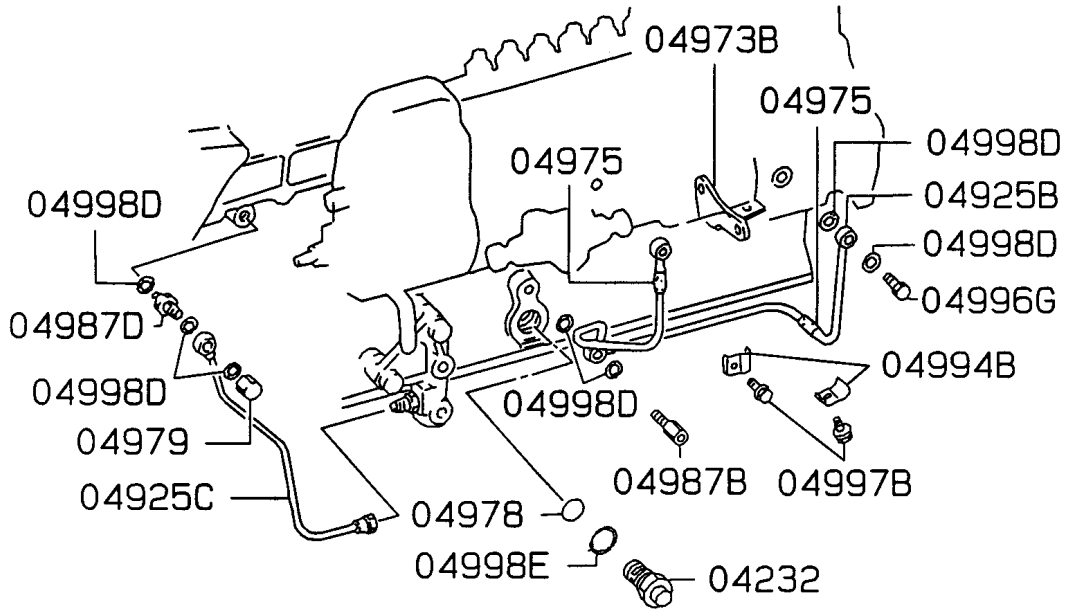
| ITEM   | PART NUMBER | DESCRIPTION                | QTY |
|--------|-------------|----------------------------|-----|
| 04100A | 0D57030305  | OIL FILTER AND HEAD ASSY   | 1   |
| 04101  | 0D57030306  | SWITCH, OIL FILTER BY-PASS | 1   |
| 04121A | 0D57030307  | HEAD ASSEMBLY, OIL FILTER  | 1   |
| 04143  | 0D57030308  | VALVE, OIL FILTER DRAIN    | 1   |
| 04150  | 0D57030309  | OIL FILTER                 | 1   |
| 04181  | 0D57030310  | PLUG, OIL FILTER INNER     | 1   |
| 04182B | 0D57030311  | O-RING, OIL FILTER INNER   | 1   |
| 04183  | 0D57030312  | NUT, OIL FILTER INNER      | 1   |
| 04184  | 0D57030313  | GASKET, OIL FILTER INNER   | 1   |
| 04184B | 0D57030174  | GASKET, OIL FILTER INNER   | 1   |
| 04191  | 0D57030314  | O-RING, OIL FILTER         | 1   |
| 04191B | 0D57030315  | O-RING, OIL FILTER         | 1   |
| 04191C | 0D57030316  | O-RING, OIL FILTER         | 1   |
| 04192  | 0D57030277  | GASKET, OIL FILTER         | 1   |
| 04199  | 0D57030285  | BOLT, OIL FILTER           | 2   |
| 04199B | 0D57030317  | BOLT, OIL FILTER           | 1   |

## 7.5L DIESEL — OIL COOLER



| ITEM   | PART NUMBER | DESCRIPTION                             | QTY |
|--------|-------------|---|-----|
| 04300A | 0D57030318  | OIL COOLER ASSEMBLY                     | 1   |
| 04311A | 0D57030319  | COVER ASSEMBLY, OIL COOLER              | 1   |
| 04322  | 0D57030320  | ELEMENT, ENGINE OIL COOLER              | 1   |
| 04334  | 0D57030321  | GASKET, ENGINE OIL COOLER COVER         | 1   |
| 04338  | 0D57030322  | PLUG, ENGINE OIL COOLER                 | 1   |
| 04346  | 0D57030323  | SPRING, ENGINE OIL COOLER BY-PASS VALVE | 1   |
| 04353  | 0D57030324  | VALVE, ENGINE OIL COOLER BY-PASS        | 1   |
| 04375  | 0D57030325  | O-RING, ENGINE OIL COOLER               | 3   |
| 04377  | 0D57030326  | NUT, ENGINE OIL COOLER INNER            | 4   |
| 04379B | 0D57030327  | O-RING, ENGINE OIL COOLER INNER         | 5   |
| 04379C | 0D57030328  | O-RING, ENGINE OIL COOLER INNER         | 3   |
| 04379E | 0D57030329  | O-RING, ENGINE OIL COOLER INNER         | 2   |
| 04385  | 0D57030330  | PLUG, ENGINE OIL COOLER INNER           | 3   |
| 04399  | 0D57030331  | BOLT, ENGINE OIL COOLER                 | 23  |

# 7.5L DIESEL — OIL LINE

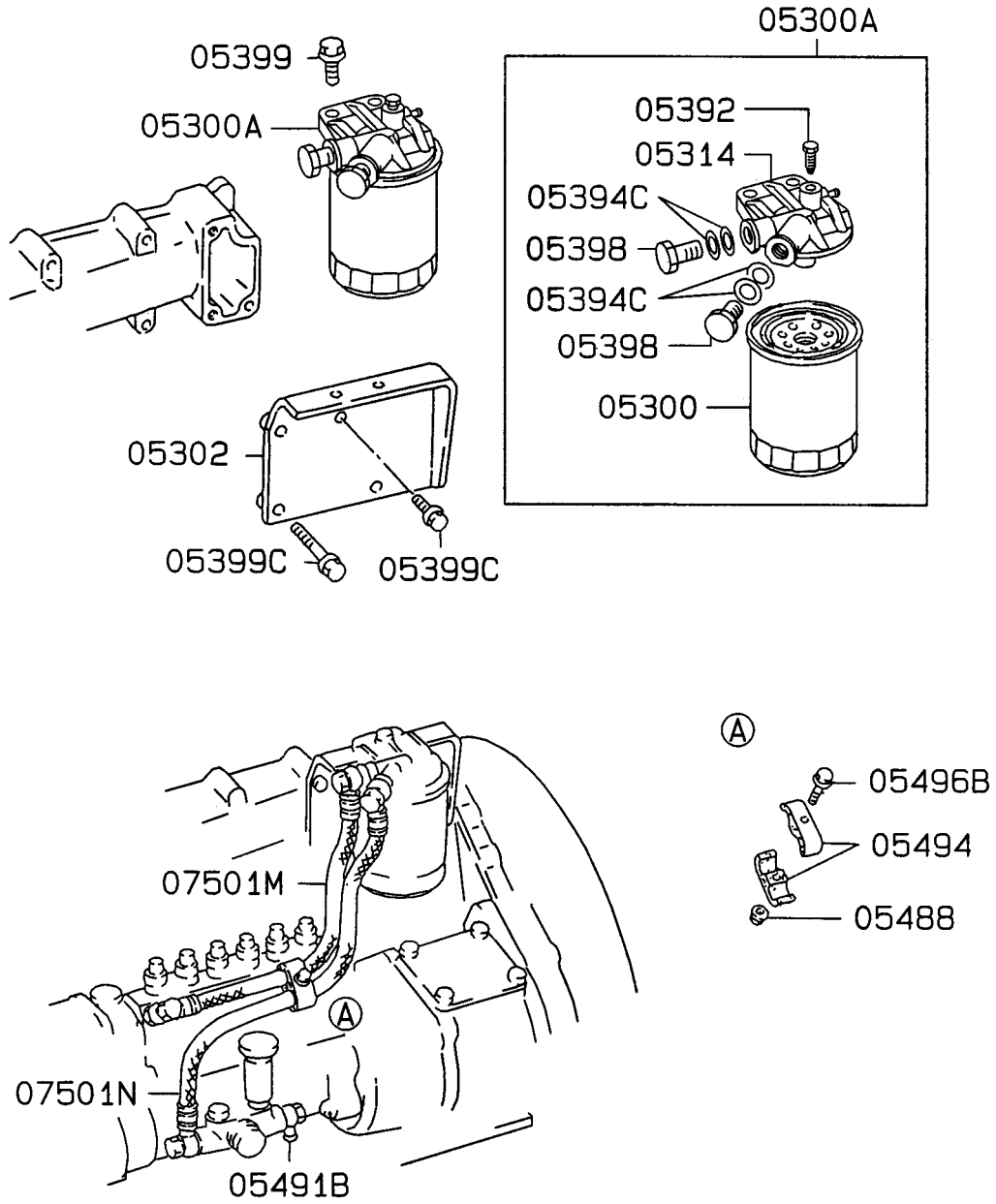


- (A) 04973C
- 04997C
- 04997B
- (C) 04996D
- 04998D
- (D) 12537
- 04997D
- (E) 12548
- 04997E

## 7.5L DIESEL — OIL LINE

| ITEM   | PART NUMBER | DESCRIPTION                              | QTY |
|--------|-------------|--|-----|
| 04232  | 0D57030332  | VALVE, ENGINE OIL PRESSURE REGULATING    | 1   |
| 04925B | 0D57030333  | TUBE, ENGINE OIL LINE                    | 1   |
| 04925C | 0D57030334  | TUBE, ENGINE OIL LINE                    | 1   |
| 04973B | 0D57030335  | STAY, ENGINE OIL LINE                    | 1   |
| 04973C | 0D57030336  | STAY, ENGINE OIL LINE                    | 2   |
| 04975  | 0D57030337  | PROTECTOR, ENGINE OIL LINE               | 2   |
| 04978  | 0D57030338  | O-RING, ENGINE OIL LINE                  | 1   |
| 04979  | 0D57030339  | NUT, ENGINE OIL LINE                     | 1   |
| 04987B | 0D57030340  | JOINT, ENGINE OIL LINE                   | 1   |
| 04987D | 0D57030341  | JOINT, ENGINE OIL LINE                   | 1   |
| 04994B | 0D57030342  | CLAMP, ENGINE OIL LINE                   | 2   |
| 04996D | 0D57030344  | EYEBOLT, ENGINE OIL LINE                 | 1   |
| 04996G | 0D57030345  | EYEBOLT, ENGINE OIL LINE                 | 1   |
| 04997B | 0D57030346  | BOLT, ENGINE OIL LINE                    | 4   |
| 04997C | 0D57030347  | BOLT, ENGINE OIL LINE                    | 2   |
| 04997D | 0D57030160  | BOLT, ENGINE OIL LINE                    | 2   |
| 04997E | 0D57030228  | BOLT, ENGINE OIL LINE                    | 2   |
| 04998D | 0D57030277  | GASKET, ENGINE OIL LINE                  | 9   |
| 04998E | 0D57030348  | GASKET, ENGINE OIL LINE                  | 1   |
| 12537  | 0D57030349  | GASKET, T/C OIL RETURN TUBE              | 1   |
| 12548  | 0D57030350  | GASKET, T/C OIL RETURN PIPE TO CYL BLOCK | 1   |
| 12617  | 0D57030351  | TUBE, T/C OIL FEED                       | 1   |
| 12621  | 0D57030352  | TUBE, T/C OIL RETURN                     | 1   |

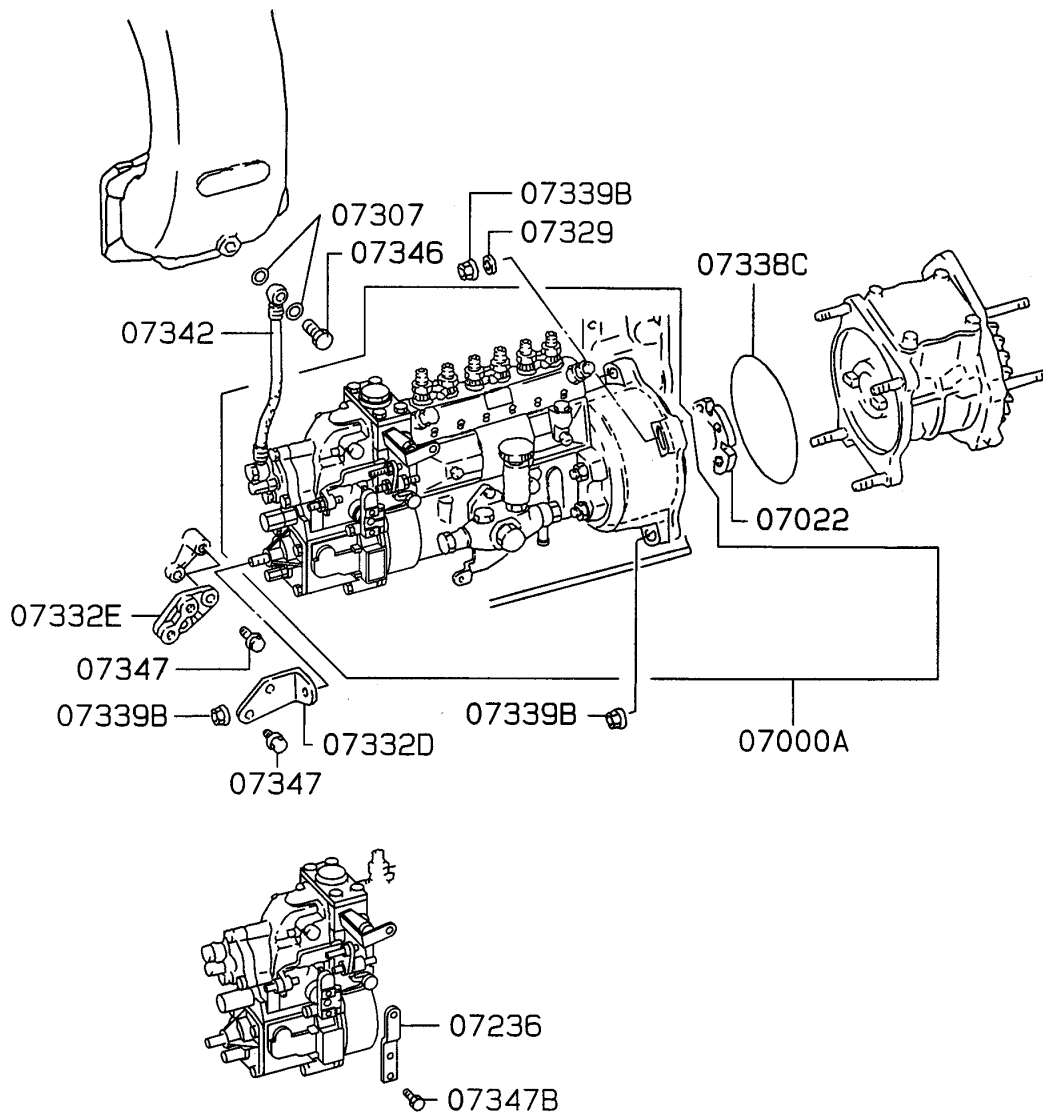
# 7.5L DIESEL — FUEL FILTER AND HOSE



**7.5L DIESEL — FUEL FILTER AND HOSE**

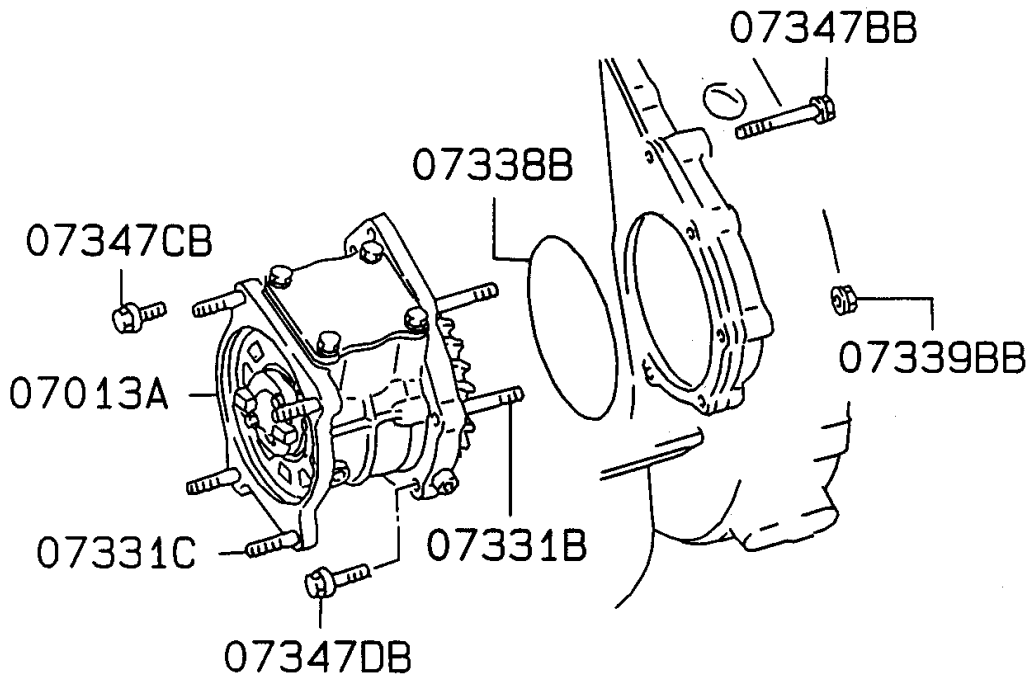
| ITEM   | PART NUMBER | DESCRIPTION                    | QTY |
|--------|-------------|--------------------------------|-----|
| 05300  | 0D57030353  | FUEL FILTER                    | 1   |
| 05300A | 0D57030354  | FUEL FILTER ASSEMBLY           | 1   |
| 05302  | 0D57030355  | BRACKET, FUEL FILTER           | 1   |
| 05314  | 0D57030356  | HEAD, FUEL FILTER              | 1   |
| 05392  | 0D57030357  | PLUG, FUEL FILTER              | 1   |
| 05394C | 0D57030358  | GASKET, FUEL FILTER            | 4   |
| 05398  | 0D57030359  | EYEBOLT, FUEL FILTER           | 2   |
| 05399  | 0D57030360  | BOLT, FUEL FILTER              | 2   |
| 05399C | 0D57030361  | BOLT, FUEL FILTER 8 x 20       | 1   |
|        | 0D57030362  | BOLT, FUEL FILTER 8 x 75       | 3   |
| 05488  | 0D57030363  | NUT, FUEL LINE                 | 1   |
| 05491B | 0D57030364  | JOINT, FUEL LINE               | 1   |
| 05494  | 0D57030365  | CLAMP, FUEL LINE               | 2   |
| 05496B | 0D57030366  | BOLT, FUEL LINE                | 1   |
| 07501M | 0D57030367  | HOSE, INJECTION PUMP FUEL FEED | 1   |
| 07501N | 0D57030368  | HOSE, INJECTION PUMP FUEL FEED | 1   |

## 7.5L DIESEL — FUEL INJECTION PUMP



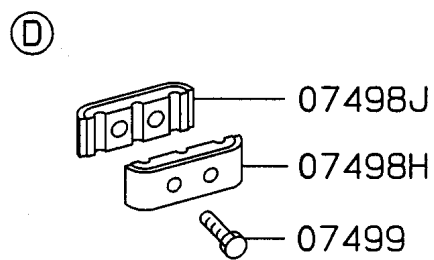
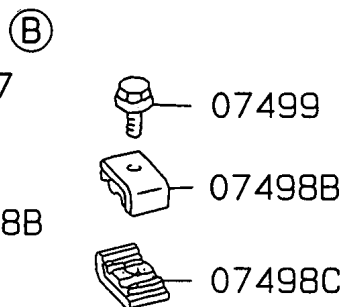
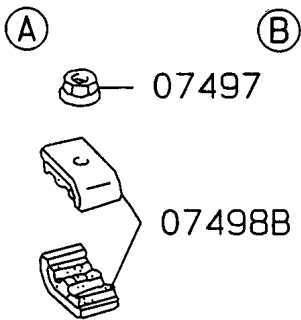
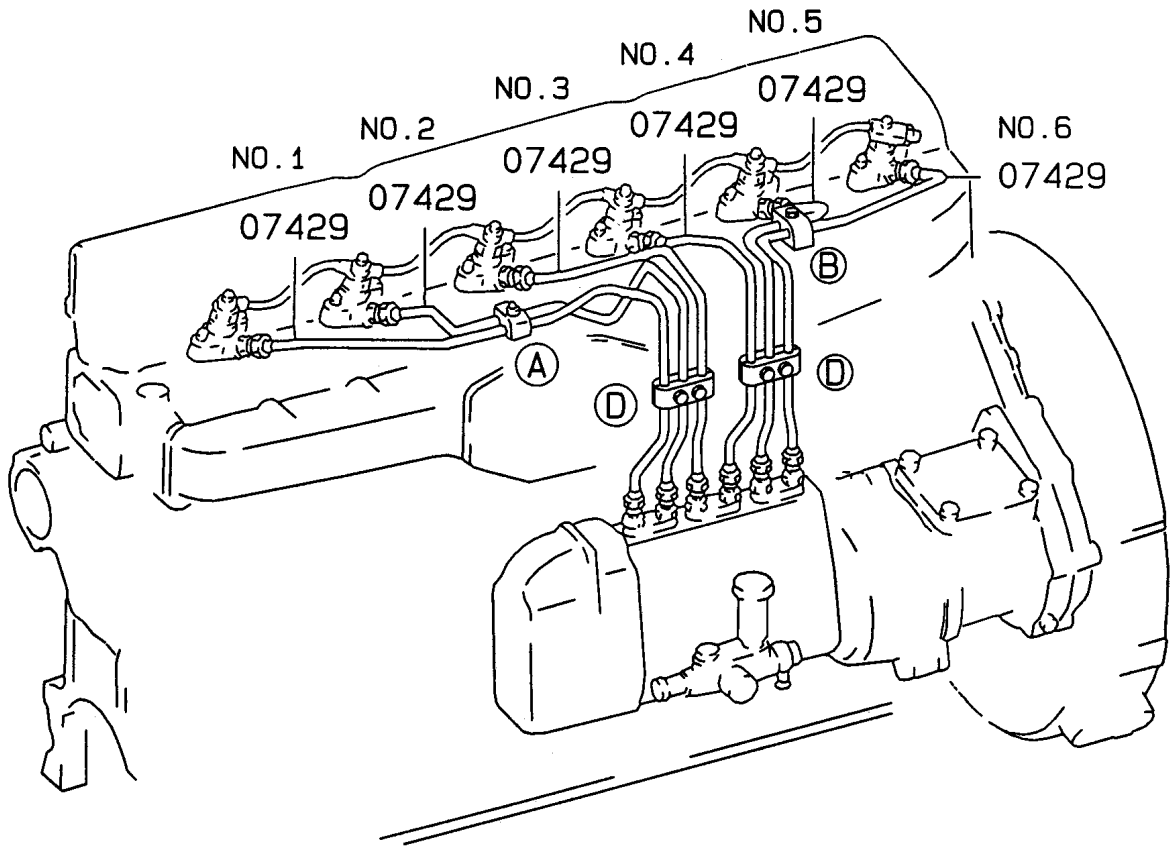
| ITEM   | PART NUMBER | DESCRIPTION                           | QTY |
|--------|-------------|---------------------------------------|-----|
| 07000A | 0D57030369  | PUMP ASSY, FUEL INJECTION             | 1   |
| 07022  | 0D57030371  | DISC, INJECTION PUMP DRIVING          | 1   |
| 07236  | 0D57030372  | LEVER, INJECTION PUMP GOVERNOR        | 1   |
| 07307  | 0D57030277  | GASKET, INJECTION PUMP FUEL FEED PUMP | 2   |
| 07329  | 0D57030373  | WASHER, INJECTION PUMP                | 2   |
| 07332D | 0D57030376  | STAY, INJECTION PUMP BODY             | 1   |
| 07332E | 0D57030377  | STAY, INJECTION PUMP BODY             | 1   |
| 07338C | 0D57030379  | O-RING, INJECTION PUMP                | 1   |
| 07339B | 0D57030326  | NUT, INJECTION PUMP                   | 5   |
| 07342  | 0D57030380  | HOSE, INJECTION PUMP                  | 1   |
| 07346  | 0D57030381  | EYEBOLT, INJECTION PUMP               | 1   |
| 07347  | 0D57030160  | BOLT, INJECTION PUMP                  | 4   |
| 07347B | 0D57030382  | BOLT, INJECTION PUMP                  | 2   |

## 7.5L DIESEL — FUEL INJECTION PUMP



| ITEM    | PART NUMBER | DESCRIPTION                     | QTY |
|---------|-------------|---------------------------------|-----|
| 07013A  | 0D57030370  | CASE ASSY, INJECTION PUMP DRIVE | 1   |
| 07331B  | 0D57030374  | STUD, INJECTION PUMP            | 2   |
| 07331C  | 0D57030375  | STUD, INJECTION PUMP            | 4   |
| 07338B  | 0D57030378  | O-RING, INJECTION PUMP          | 1   |
| 07339BB | 0D57030326  | NUT, INJECTION PUMP             | 2   |
| 07347BB | 0D57030191  | BOLT, INJECTION PUMP            | 1   |
| 07347CB | 0D57030383  | BOLT, INJECTION PUMP            | 1   |
| 07347DB | 0D57030285  | BOLT, INJECTION PUMP            | 2   |

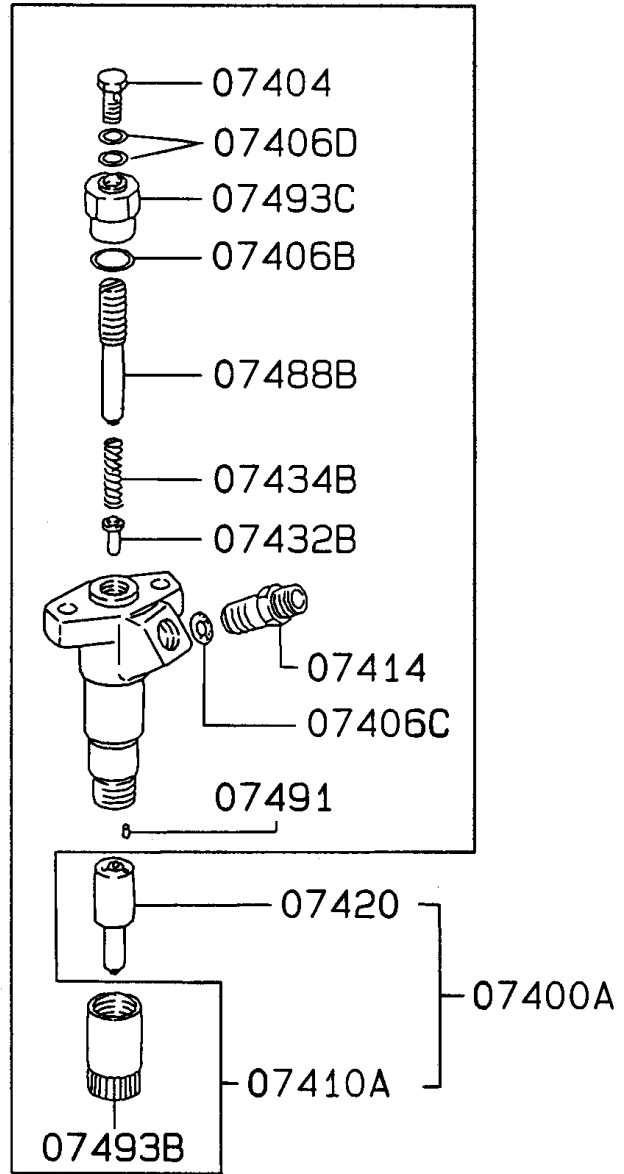
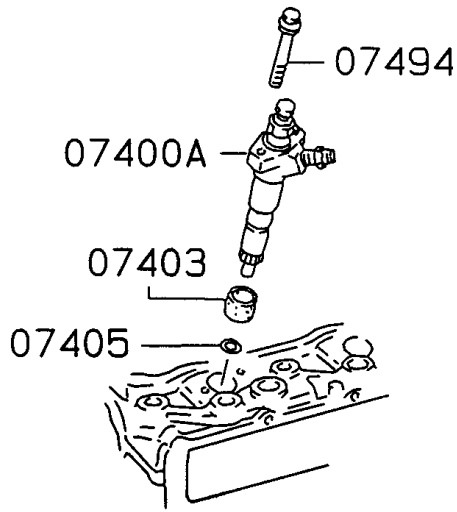
# 7.5L DIESEL — INJECTION PIPE



**7.5L DIESEL — INJECTION PIPE**

| ITEM   | PART NUMBER | DESCRIPTION                | QTY |
|--------|-------------|----------------------------|-----|
| 07429  | 0D57030394  | TUBE, FUEL INJECTION NO. 4 | 1   |
|        | 0D57030395  | TUBE, FUEL INJECTION NO. 5 | 1   |
|        | 0D57030396  | TUBE, FUEL INJECTION NO. 3 | 1   |
|        | 0D57030397  | TUBE, FUEL INJECTION NO. 6 | 1   |
|        | 0D57030398  | TUBE, FUEL INJECTION NO. 2 | 1   |
|        | 0D57030399  | TUBE, FUEL INJECTION NO. 1 | 1   |
| 07497  | 0D57030363  | NUT, FUEL INJECTION TUBE   | 1   |
| 07498B | 0D57030407  | CLAMP, FUEL INJECTION TUBE | 3   |
| 07498C | 0D57030408  | CLAMP, FUEL INJECTION TUBE | 1   |
| 07498H | 0D57030409  | CLAMP, FUEL INJECTION TUBE | 2   |
| 07498J | 0D57030410  | CLAMP, FUEL INJECTION TUBE | 2   |
| 07499  | 0D57030411  | BOLT, FUEL INJECTION TUBE  | 5   |

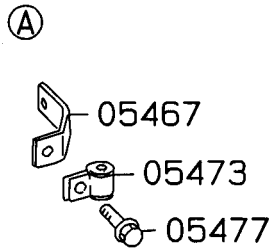
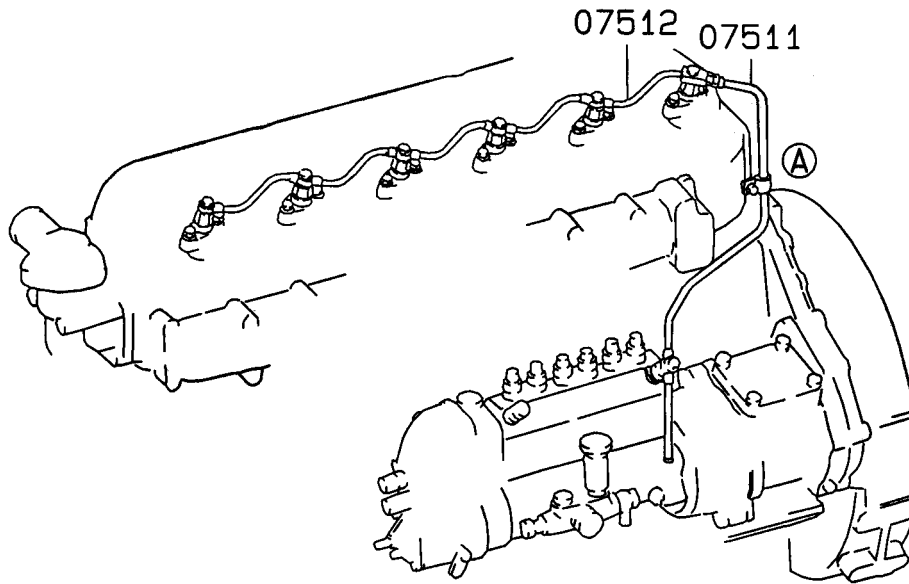
# 7.5L DIESEL — INJECTION NOZZLE



**7.5L DIESEL — INJECTION NOZZLE**

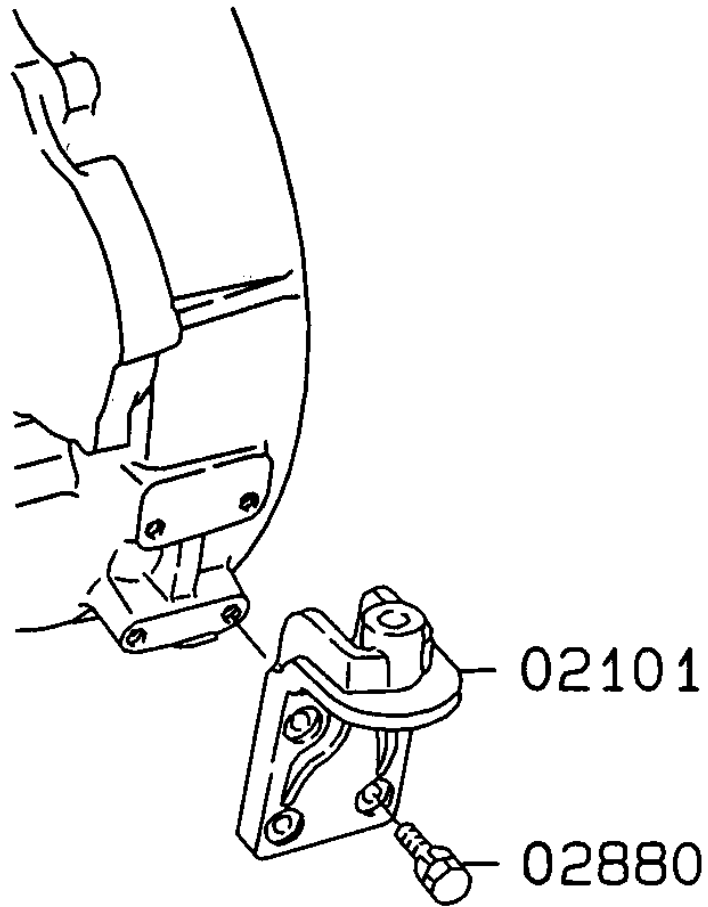
| ITEM   | PART NUMBER | DESCRIPTION                         | QTY |
|--------|-------------|-------------------------------------|-----|
| 07400A | 0D57030384  | NOZZLE AND HOLDER ASSY              | 6   |
| 07403  | 0D57030385  | DUST SEAL, NOZZLE HOLDER            | 6   |
| 07404  | 0D57030386  | EYEBOLT, FUEL INJECTION NOZZLE      | 6   |
| 07405  | 0D57030387  | GASKET, FUEL INJECTION NOZZLE       | 6   |
| 07406B | 0D57030388  | GASKET, FUEL INJECTION NOZZLE INNER | 6   |
| 07406C | 0D57030389  | GASKET, FUEL INJECTION NOZZLE INNER | 6   |
| 07406D | 0D57030390  | GASKET, FUEL INJECTION NOZZLE INNER | 12  |
| 07410A | 0D57030391  | HOLDER ASSY, FUEL INJECTION NOZZLE  | 6   |
| 07414  | 0D57030392  | JOINT, FUEL INJECTION NOZZLE HOLDER | 6   |
| 07420  | 0D57030393  | NOZZLE, FUEL INJECTION              | 6   |
| 07432B | 0D57030400  | PUSH ROD, NOZZLE HOLDER             | 6   |
| 07434B | 0D57030401  | SPRING, NOZZLE HOLDER               | 6   |
| 07488B | 0D57030402  | SCREW, FUEL INJECTION NOZZLE        | 6   |
| 07491  | 0D57030403  | PIN, FUEL INJECTION NOZZLE          | 12  |
| 07493B | 0D57030404  | NUT, FUEL INJECTION NOZZLE          | 6   |
| 07493C | 0D57030405  | NUT, FUEL INJECTION NOZZLE          | 6   |
| 07494  | 0D57030406  | BOLT, FUEL INJECTION NOZZLE         | 12  |

## 7.5L DIESEL — FUEL RETURN HOSE



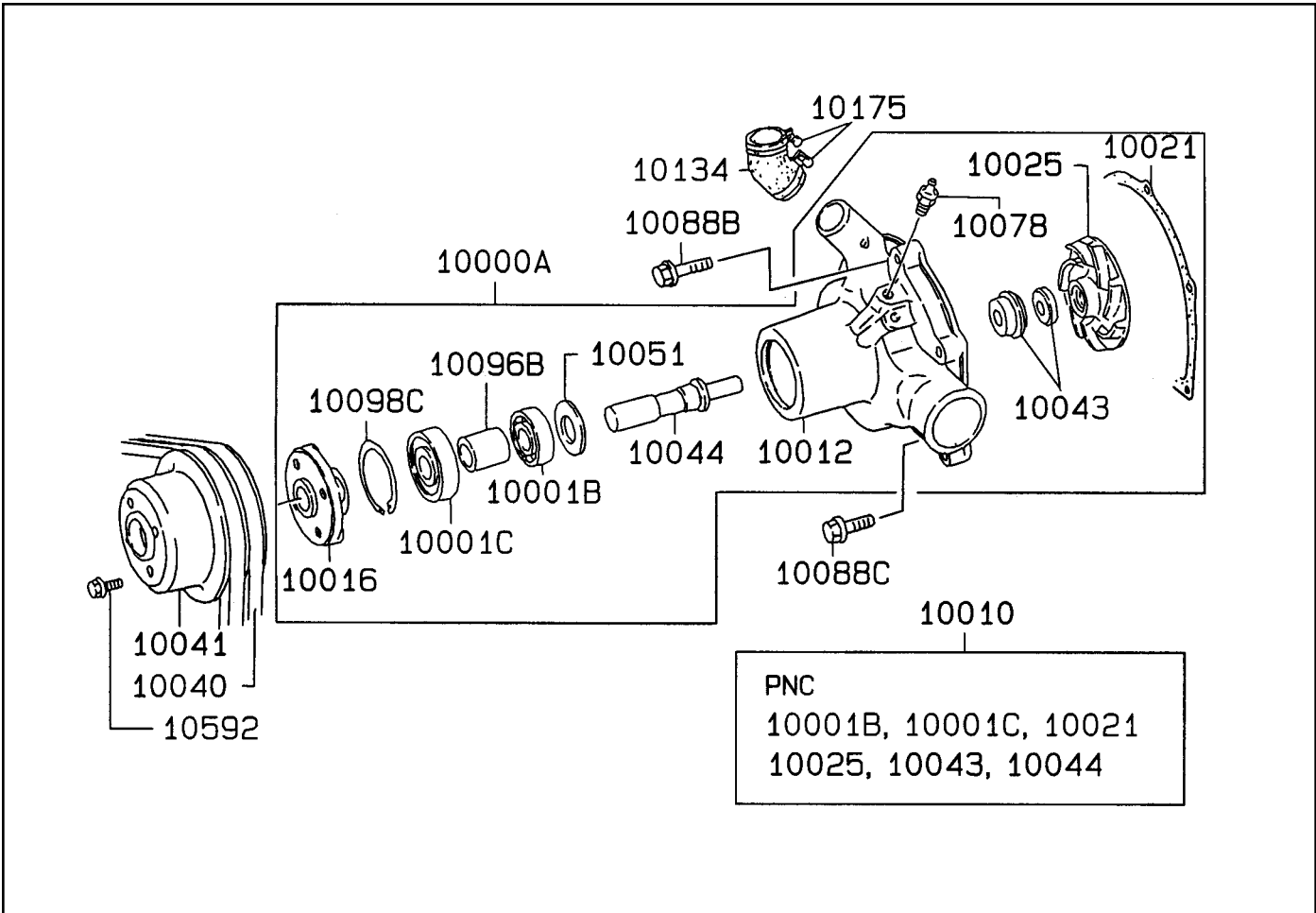
| ITEM  | PART NUMBER | DESCRIPTION                             | QTY |
|-------|-------------|---|-----|
| 05467 | 0D57030412  | STAY, FUEL RETURN LINE                  | 1   |
| 05473 | 0D57030413  | CLIP, FUEL RETURN LINE                  | 1   |
| 05477 | 0D57030114  | BOLT, FUEL RETURN LINE                  | 1   |
| 07511 | 0D57030414  | TUBE, INJECTION PUMP FUEL RETURN        | 1   |
| 07512 | 0D57030415  | TUBE, FUEL INJECTION NOZZLE FUEL RETURN | 1   |

## 7.5L DIESEL — ENGINE MOUNTING AND SUPPORT



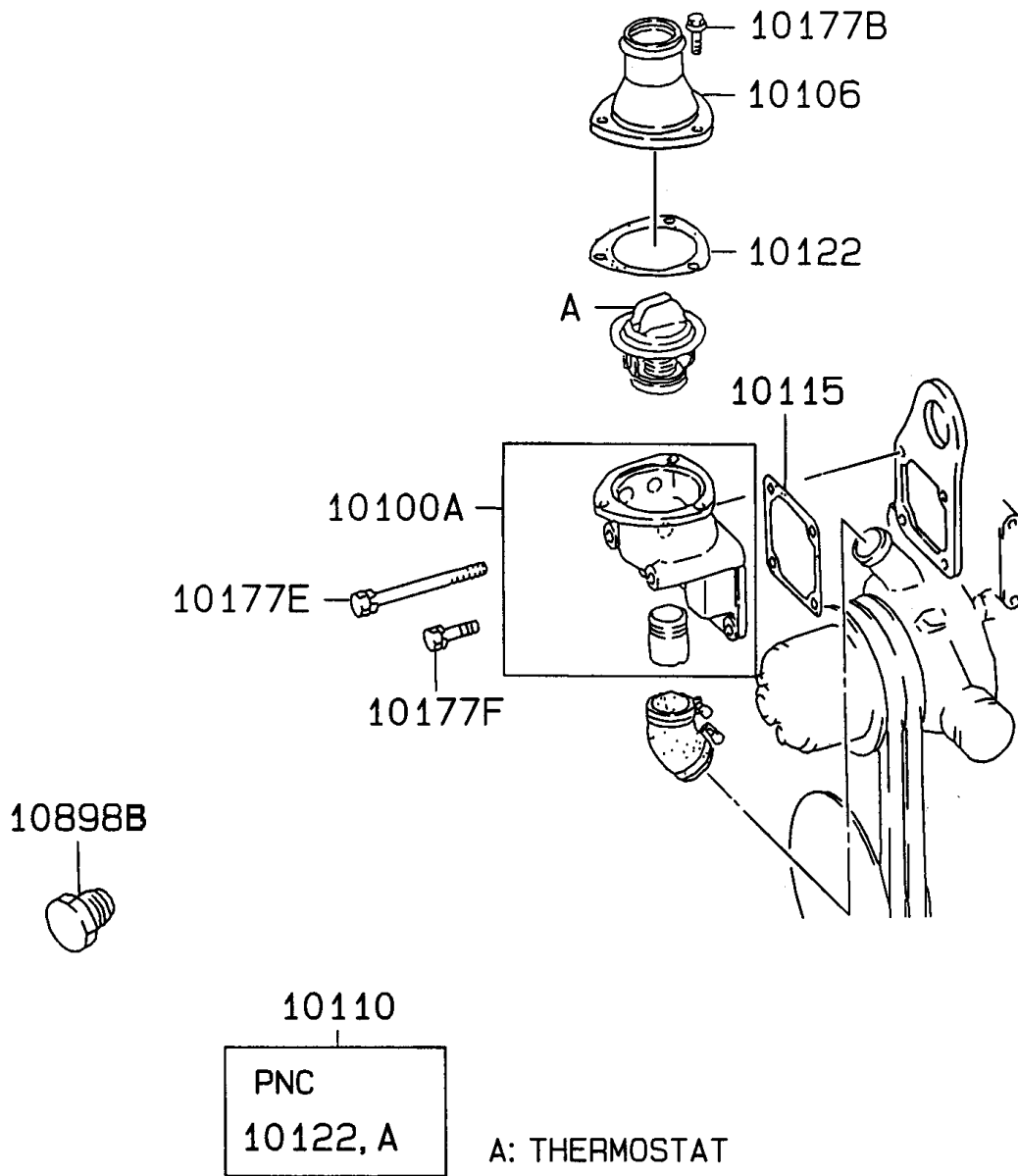
| ITEM  | PART NUMBER | DESCRIPTION                            | QTY |
|-------|-------------|--|-----|
| 02101 | 0D57030286  | BRACKET, FLYWHEEL HOUSING ENG MOUNTING | 2   |
| 02880 | 0D57030287  | BOLT, ENGINE RR MOUNTING               | 8   |

## 7.5L DIESEL — WATER PUMP AND FAN



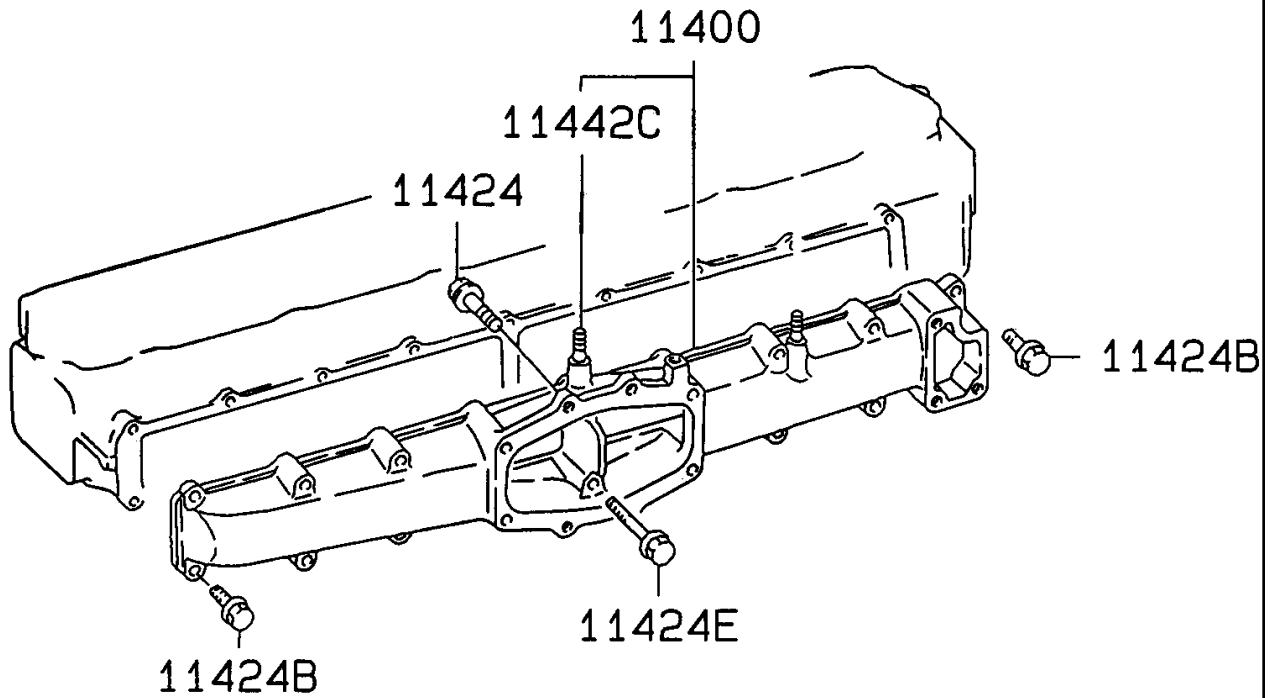
| ITEM   | PART NUMBER | DESCRIPTION                     | QTY |
|--------|-------------|---------------------------------|-----|
| 10000A | 0D57030416  | WATER PUMP ASSEMBLY             | 1   |
| 10001B | 0D57030417  | BEARING, WATER PUMP             | 1   |
| 10001C | 0D57030418  | BEARING, WATER PUMP             | 1   |
| 10010  | 0D57030419  | WATER PUMP KIT                  | 1   |
| 10012  | 0D57030420  | CASE, WATER PUMP                | 1   |
| 10016  | 0D57030421  | FLANGE, WATER PUMP PULLEY DRIVE | 1   |
| 10021  | 0D57030422  | GASKET, WATER PUMP              | 1   |
| 10025  | 0D57030423  | IMPELLER, WATER PUMP            | 1   |
| 10040  | 0D57030424  | BELT, ALTERNATOR                | 1   |
| 10041  | 0D57030425  | PULLEY, WATER PUMP              | 1   |
| 10043  | 0D57030426  | SEAL UNIT, WATER PUMP SHAFT     | 1   |
| 10044  | 0D57030427  | SHAFT, WATER PUMP               | 1   |
| 10051  | 0D57030428  | THRUST WASHER, WATER PUMP INNER | 1   |
| 10078  | 0D57030429  | NIPPLE, WATER PUMP INNER        | 1   |
| 10088B | 0D57030302  | BOLT, WATER PUMP                | 5   |
| 10088C | 0D57030331  | BOLT, WATER PUMP                | 2   |
| 10096B | 0D57030430  | SPACER, WATER PUMP INNER        | 1   |
| 10098C | 0D57030431  | SNAP RING, WATER PUMP INNER     | 1   |
| 10134  | 0D57030432  | HOSE, THERMOSTAT WATER BY-PASS  | 1   |
| 10175  | 0D57030433  | CLAMP, THERMOSTAT               | 2   |
| 10592  | 0D57030160  | BOLT, COOLING FAN               | 4   |

# 7.5L DIESEL — WATER PIPE AND THERMOSTAT



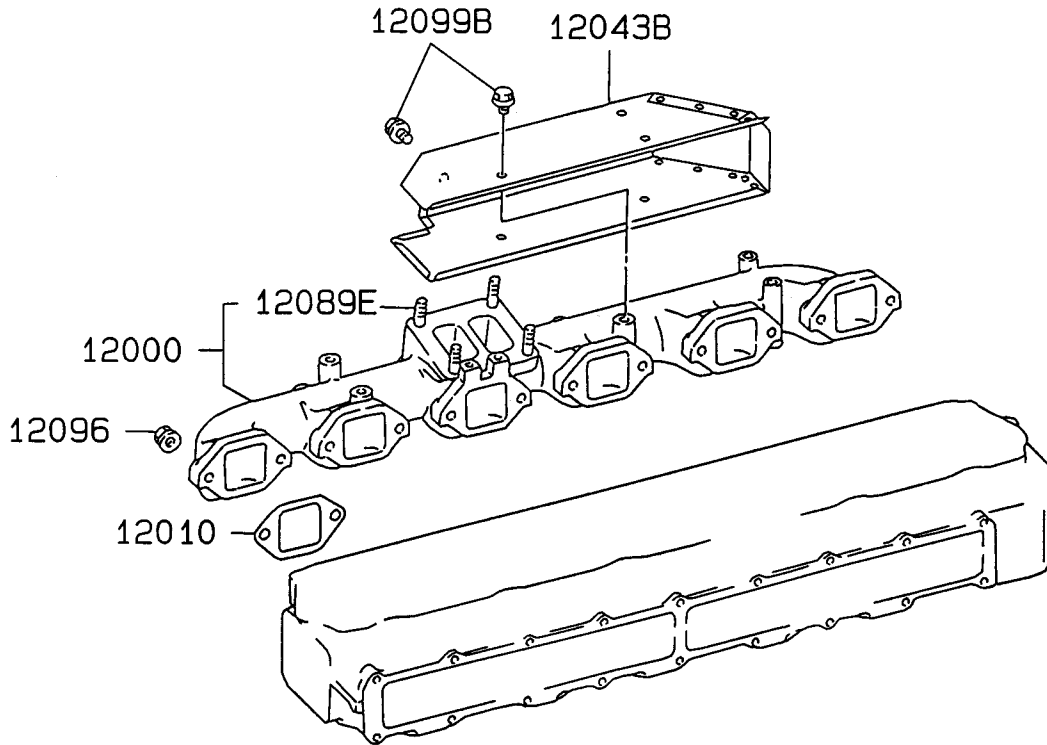
| ITEM   | PART NUMBER | DESCRIPTION                         | QTY |
|--------|-------------|-------------------------------------|-----|
| 10100A | 0D57030434  | CASE ASSY, THERMOSTAT               | 1   |
| 10106  | 0D57030435  | COVER, THERMOSTAT CASE              | 1   |
| 10110  | 0D57030436  | THERMOSTAT KIT                      | 1   |
| 10115  | 0D57030280  | GASKET, THERMOSTAT CASE TO CYL HEAD | 1   |
| 10122  | 0D57030437  | GASKET, THERMOSTAT COVER            | 1   |
| 10177B | 0D57030438  | BOLT, THERMOSTAT                    | 3   |
| 10177E | 0D57030439  | BOLT, THERMOSTAT                    | 2   |
| 10177F | 0D57030440  | BOLT, THERMOSTAT                    | 2   |
| 10898B | 0D57030441  | PLUG, WATER TEMPERATURE GAUGE       | 2   |

## 7.5L DIESEL — INTAKE MANIFOLD



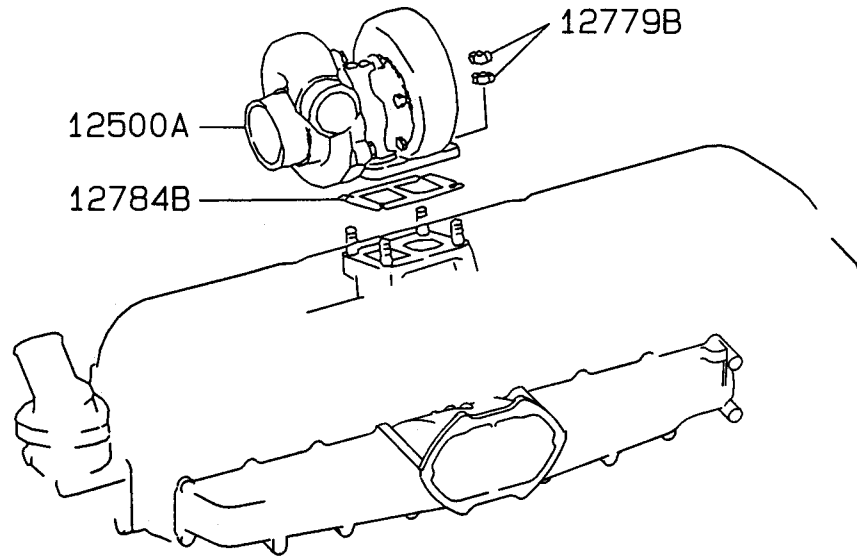
| ITEM   | PART NUMBER | DESCRIPTION           | QTY |
|--------|-------------|-----------------------|-----|
| 11400  | 0D57030442  | MANIFOLD, INTAKE      | 1   |
| 11424  | 0D57030443  | BOLT, INTAKE MANIFOLD | 12  |
| 11424B | 0D57030304  | BOLT, INTAKE MANIFOLD | 3   |
| 11424E | 0D57030444  | BOLT, INTAKE MANIFOLD | 2   |
| 11442C | 0D57030445  | STUD, INTAKE MANIFOLD | 1   |

## 7.5L DIESEL — EXHAUST MANIFOLD



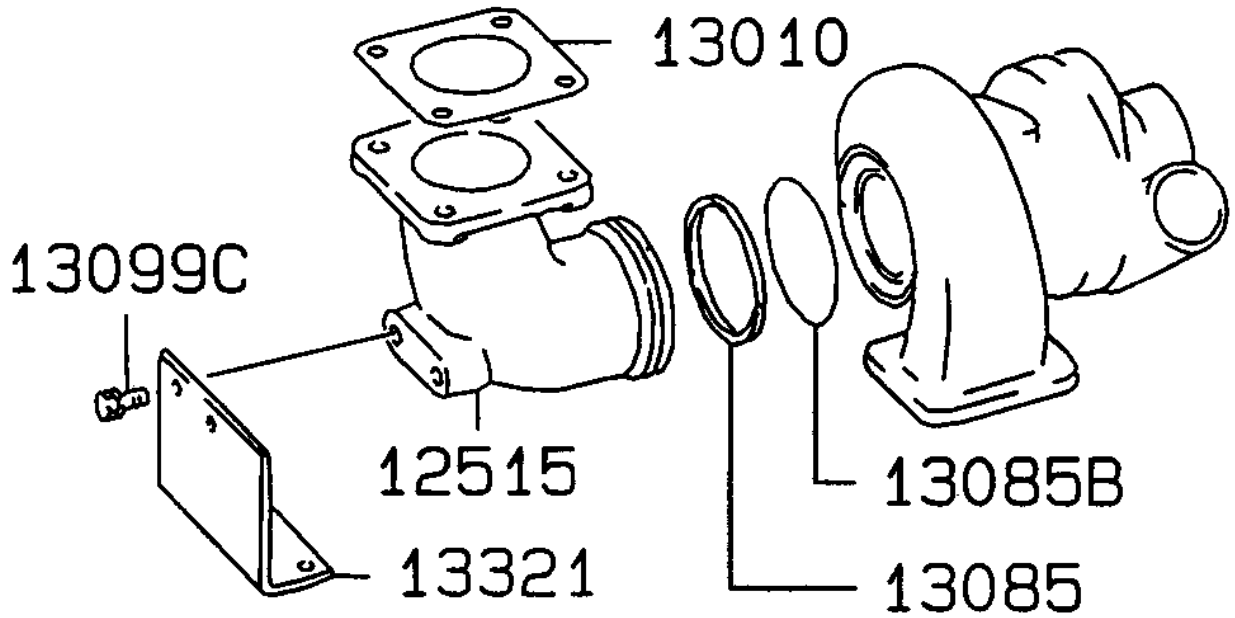
| ITEM   | PART NUMBER | DESCRIPTION                      | QTY |
|--------|-------------|----------------------------------|-----|
| 12000  | 0D57030446  | MANIFOLD, EXHAUST                | 1   |
| 12010  | 0D57030447  | GASKET, EXHAUST MANIFOLD         | 6   |
| 12043B | 0D57030448  | INSULATOR, EXHAUST MANIFOLD HEAT | 1   |
| 12089E | 0D57030449  | STUD, EXHAUST MANIFOLD           | 4   |
| 12096  | 0D57030450  | NUT, EXHAUST MANIFOLD            | 12  |
| 12099B | 0D57030451  | BOLT, EXHAUST MANIFOLD           | 5   |

## 7.5L DIESEL — TURBOCHARGER



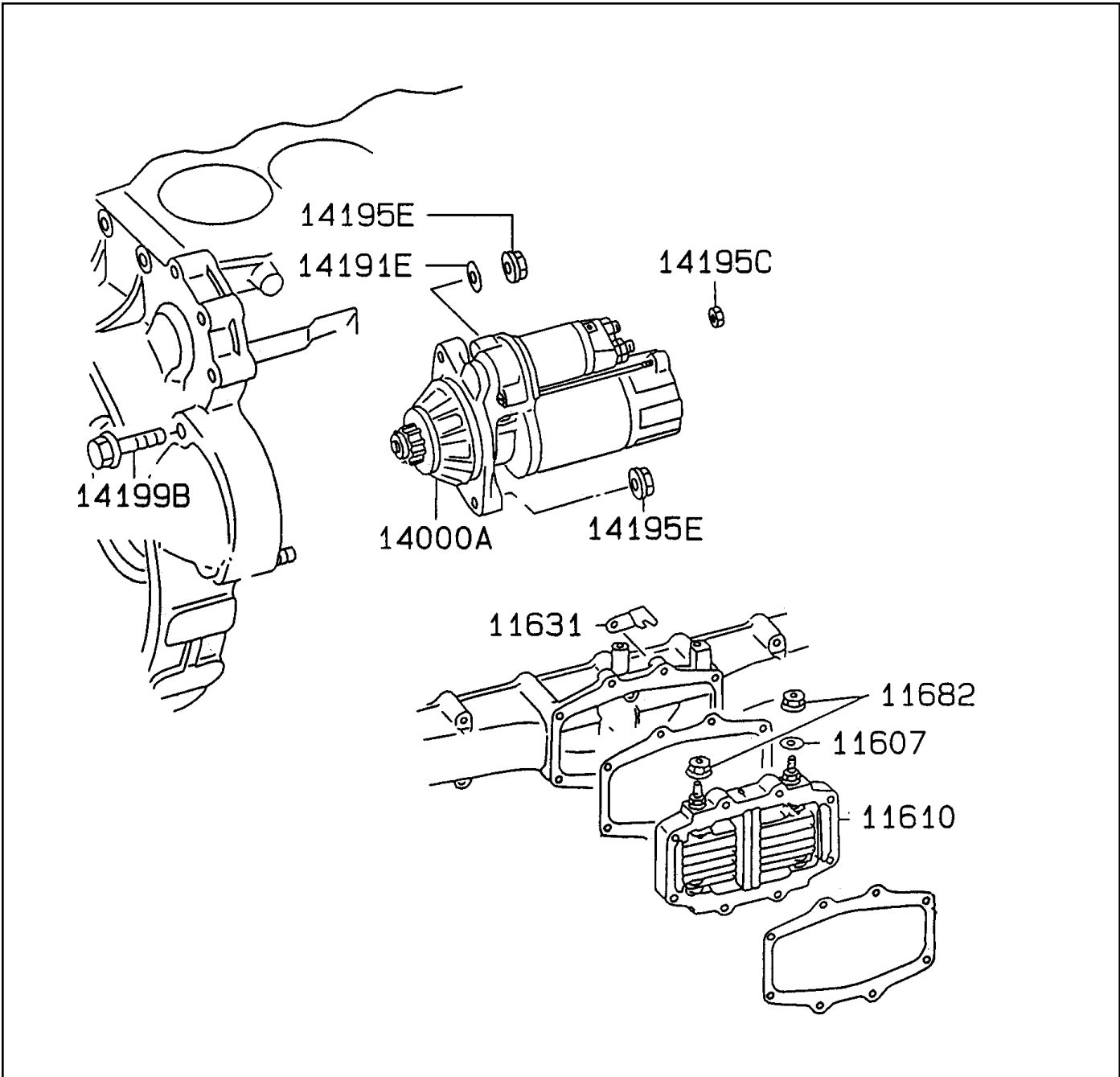
| ITEM   | PART NUMBER | DESCRIPTION           | QTY |
|--------|-------------|-----------------------|-----|
| 12500A | 0D57030452  | TURBOCHARGER ASSEMBLY | 1   |
| 12779B | 0D57030450  | NUT, T/C              | 4   |
| 12784B | 0D57030453  | GASKET, T/C           | 1   |

7.5L DIESEL — EXHAUST PIPE



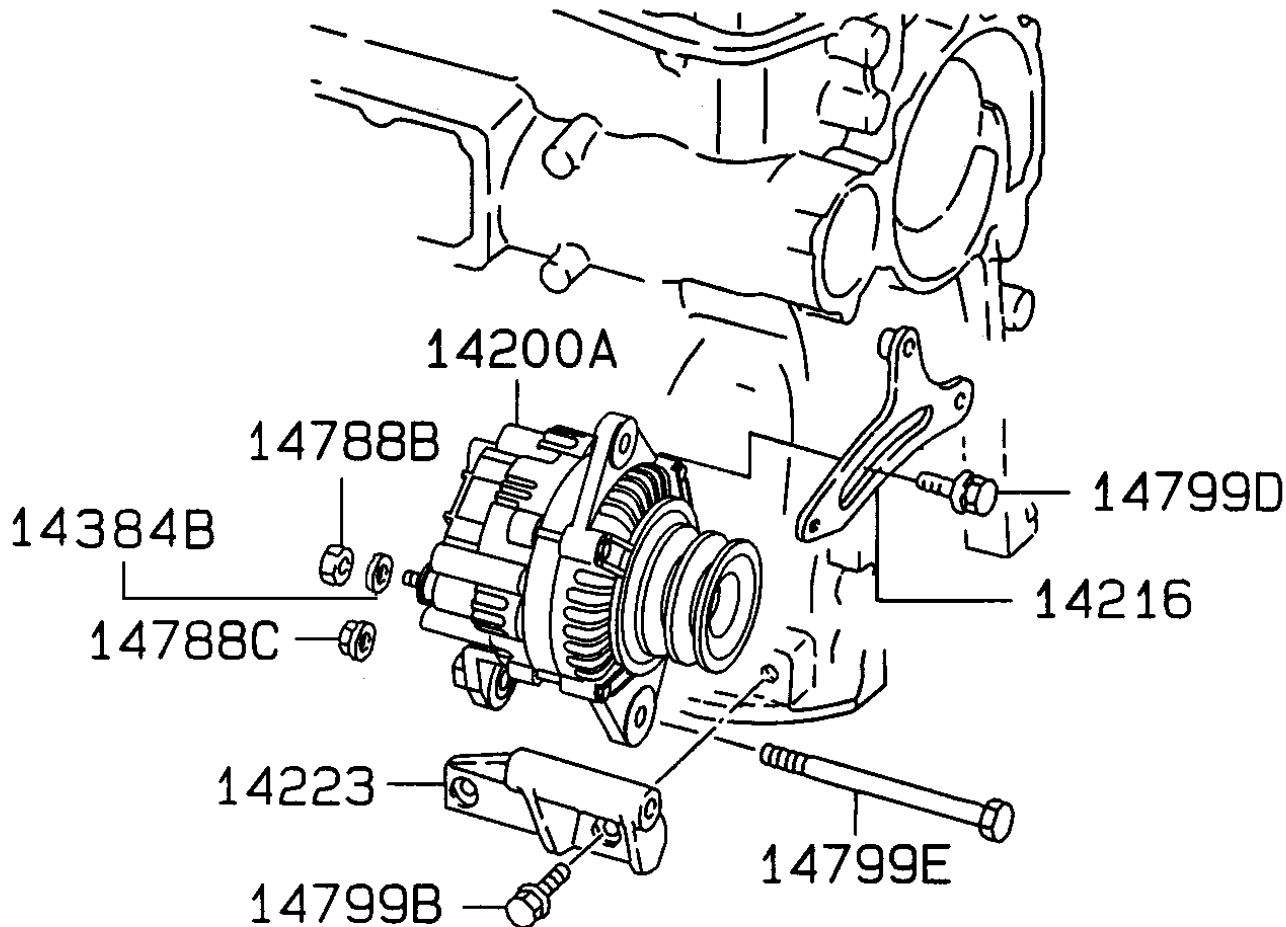
| ITEM   | PART NUMBER | DESCRIPTION                 | QTY |
|--------|-------------|-----------------------------|-----|
| 12515  | 0D57030454  | COUPLING, T/C TURBINE SIDE  | 1   |
| 13010  | 0D57030455  | GASKET, EXHAUST PIPE        | 1   |
| 13085  | 0D57030456  | SEAL RING, EXHAUST PIPE     | 1   |
| 13085B | 0D57030457  | SEAL RING, EXHAUST PIPE     | 1   |
| 13099C | 0D57030458  | BOLT, EXHAUST PIPE          | 4   |
| 13321  | 0D57030459  | SUPPORT, EXHAUST PIPE ELBOW | 1   |

## 7.5L DIESEL — STARTER



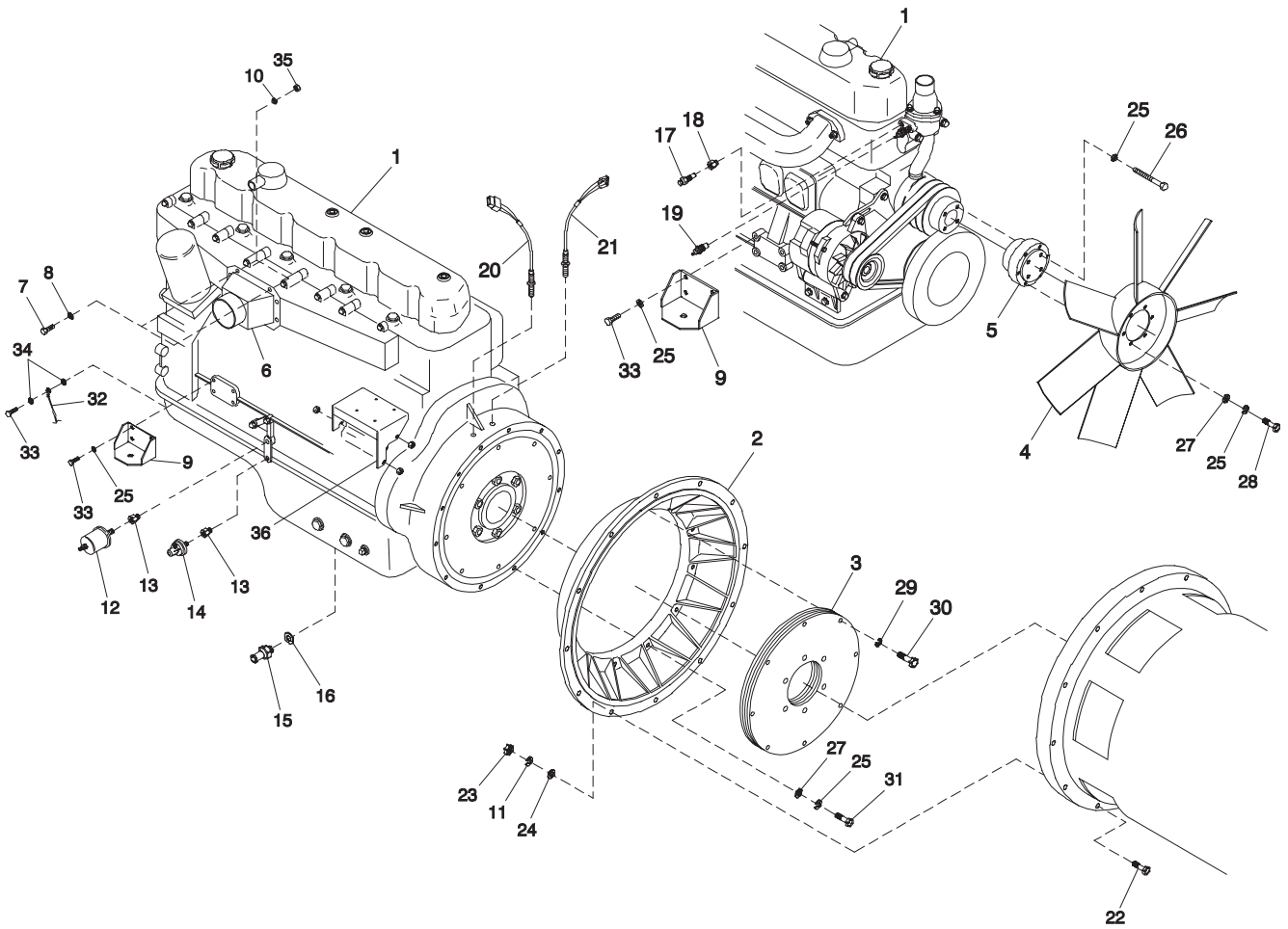
| ITEM   | PART NUMBER | DESCRIPTION                          | QTY |
|--------|-------------|--------------------------------------|-----|
| 11607  | OD57030460  | WASHER, INTAKE AIR HEATER            | 1   |
| 11610  | OD57030461  | HEATER, INTAKE AIR                   | 1   |
| 11631  | OD57030462  | PLATE, INTAKE AIR HEATER CABLE EARTH | 1   |
| 11682  | OD57030363  | NUT, INTAKE SILENCER                 | 2   |
| 14000A | OD57030463  | STARTER ASSEMBLY                     | 1   |
| 14191E | OD57030464  | WASHER, STARTER                      | 1   |
| 14195C | OD57030465  | NUT, STARTER                         | 1   |
| 14195E | OD57030466  | NUT, STARTER                         | 2   |
| 14199B | OD57030467  | BOLT, STARTER                        | 1   |

7.5L DIESEL — ALTERNATOR



| ITEM   | PART NUMBER | DESCRIPTION                  | QTY |
|--------|-------------|------------------------------|-----|
| 14200A | 0D57030468  | ALTERNATOR ASSEMBLY          | 1   |
| 14216  | 0D57030469  | BRACE, ALTERNATOR ADJUSTING  | 1   |
| 14223  | 0D57030470  | BRACKET, ALTERNATOR MOUNTING | 1   |
| 14384B | 0D57030471  | WASHER, ALTERNATOR           | 1   |
| 14788B | 0D57030472  | NUT, ALTERNATOR              | 1   |
| 14788C | 0D57030466  | NUT, ALTERNATOR              | 1   |
| 14799B | 0D57030160  | BOLT, ALTERNATOR             | 2   |
| 14799D | 0D57030473  | BOLT, ALTERNATOR             | 1   |
| 14799E | 0D57030474  | BOLT, ALTERNATOR             | 1   |

# 7.5L DIESEL — ENGINE COMMON PARTS

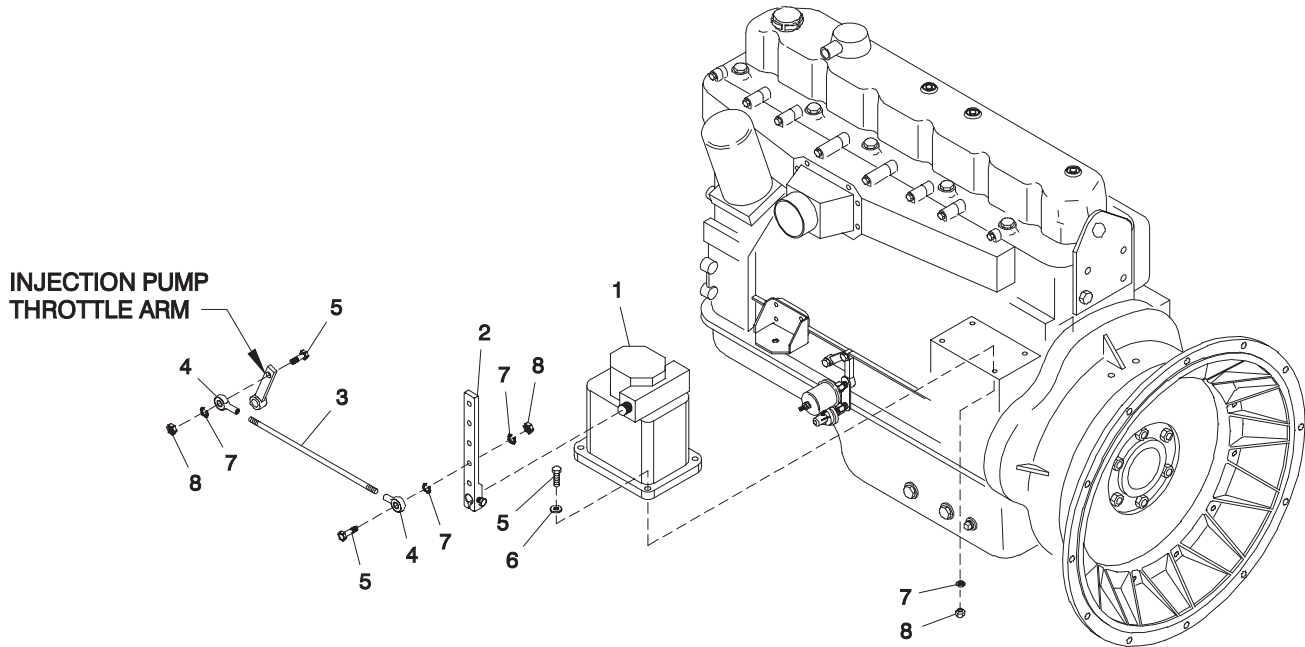


## 7.5L DIESEL — ENGINE COMMON PARTS

| ITEM | PART NUMBER | DESCRIPTION                          | QTY |
|------|-------------|--------------------------------------|-----|
| 1    | 0D5703      | 7.5L MITSUBISHI ENGINE               | 1   |
| 2    | 0D5760      | HOUSING, FLYWHEEL ADAPTER MACH 7.5   | 1   |
| 3    | 021322      | PLATE, FLEX SAE 11-1/2               | 5   |
| 4    | 078417      | FAN REWORK 30"                       | 1   |
| 5    | 0D6661      | SPACER, COOLING FAN                  | 1   |
| 6    | 0D5341      | INTAKE ADAPTER, MACHINED             | 1   |
| 7    | 051698      | SCREW HHC M8-1.25 x 75 G8.8          | 2   |
| 8    | 022145      | WASHER FLAT 5/16 ZINC                | 2   |
| 9    | 0D8199      | ENGINE MOUNT                         | 2   |
| 10   | 022129      | WASHER LOCK M8-5/16                  | 2   |
| 11   | 051769      | WASHER LOCK M12                      | 16  |
| 12   | 053666      | SENDER OIL PRESSURE                  | 1   |
| 13   | 042574      | ADAPTOR 1/8 NPTF TO 1/8-28           | 2   |
| 14*  | 0A8584      | SWITCH, OIL PRESSURE                 | 1   |
| 15   | 0D2168      | OIL DRAIN M18 x 1.5                  | 1   |
| 16   | 0D4739      | WASHER FLAT M18 COPPER 1.5 THK       | 1   |
| 17   | 053667      | SENDER, WATER TEMPERATURE            | 1   |
| 18   | 065809      | ADAPTOR, WATER TEMP SENDER           | 1   |
| 19   | 035606      | SENSOR, HIGH COOLANT SHUTDOWN        | 1   |
| 20   | 0D2244M     | MAGNETIC PICKUP ASSY (3/8-24 MALE)   | 1   |
| 21   | 0D2244F     | MAGNETIC PICKUP ASSY (3/8-24 FEMALE) | 1   |
| 22   | 068406      | SCREW HHC M12-1.75 x 60 G10.9        | 12  |
| 23   | 045773      | NUT HEX M12-1.75 G8 YEL CHR          | 8   |
| 24   | 049808      | WASHER FLAT M12                      | 8   |
| 25   | 046526      | WASHER LOCK M10                      | 22  |
| 26   | 071623      | SCREW SHC M10-1.50 x 55 G12.9        | 4   |
| 27   | 022131      | WASHER FLAT 3/8-M10 ZINC             | 18  |
| 28   | 059981      | SCREW HHC M10-1.5 x 30 G10.9         | 6   |
| 29   | 0D8427      | WASHER LOCK M10 RIBBED               | 8   |
| 30   | 043097      | SCREW SHC 3/8-16 x 1 G8.8NZ          | 8   |
| 31   | 059355      | SCREW SHC M10-1.50 x 50 G12.9        | 12  |
| 32   | 0536210860  | GROUND WIRE ASSY                     | 1   |
| 33   | 051756      | SCREW HHC M10-1.5 x 20 G8.8          | 10  |
| 34   | 025507      | WASHER SHAKEPROOF EXT 7/16 STL       | 2   |
| 35   | 045771      | NUT HEX M8-1.25 G8 YEL CHR           | 2   |
| 36   | 0D3936      | BRACKET, GOVERNOR                    | 1   |

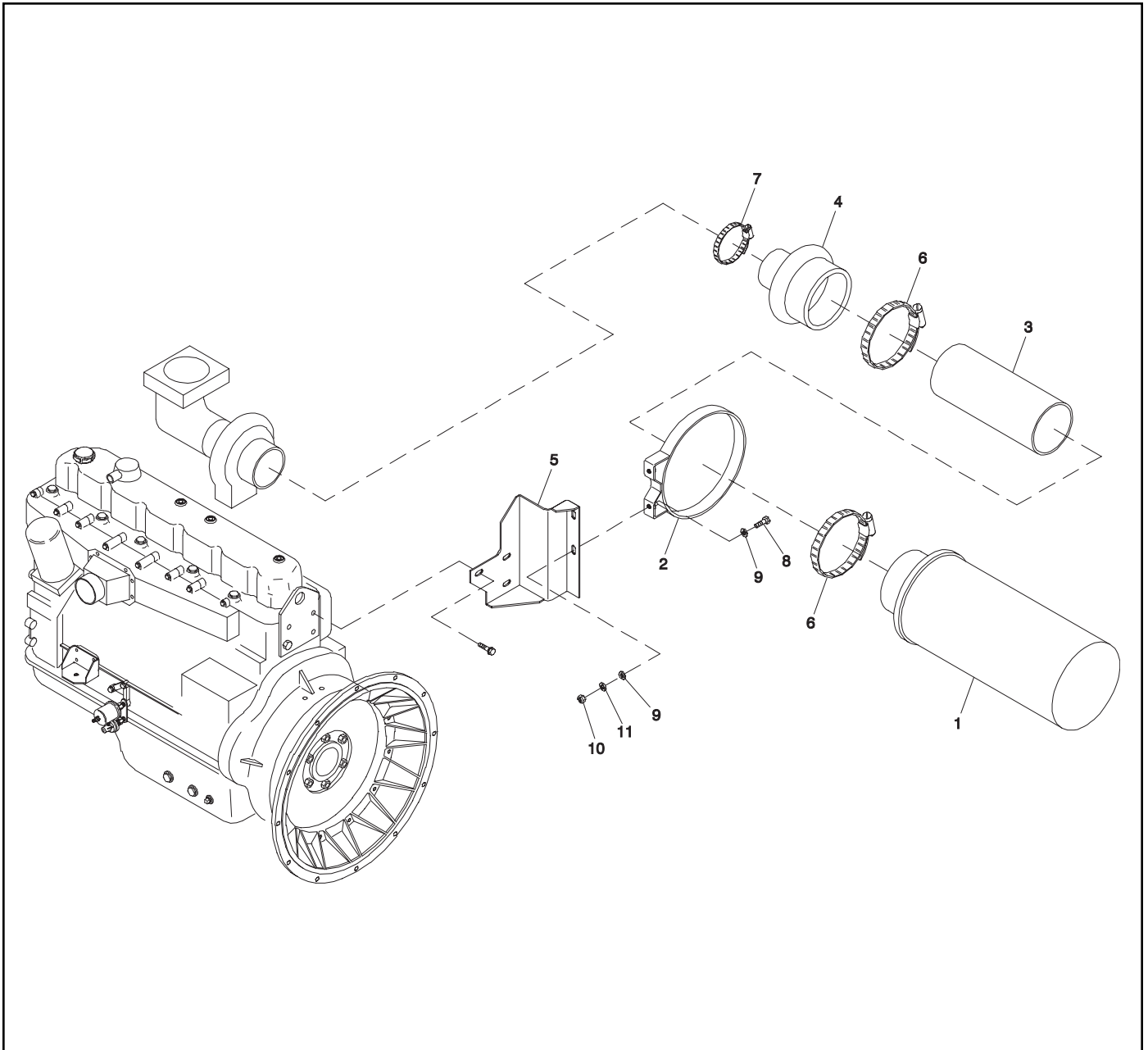
\* USED FOR C-PANEL ONLY

## 7.5L DIESEL — ELECTRONIC GOVERNOR



| ITEM | PART NUMBER | DESCRIPTION                     | QTY |
|------|-------------|---------------------------------|-----|
| 1    | 067708      | ACTUATOR 24V CCW                | 1   |
| 2    | 084753      | LEVER ACTUATOR CLAMP            | 1   |
| 3    | 0D7657      | STUD TH 1/4-28 x 15-1/2 G2 ZINC | 1   |
| 4    | 084754      | ROD, END, BRG 1/4"-28           | 2   |
| 5    | 038750      | SCREW HHC M6-1.0 x 30 G8.8      | 6   |
| 6    | 049811      | WASHER FLAT M6                  | 8   |
| 7    | 022097      | WASHER LOCK M6-1/4              | 6   |
| 8    | 049813      | NUT HEX M6 x 1.0 G8 YEL CHR     | 8   |

## 7.5L DIESEL — AIR CLEANER



| ITEM | PART NUMBER | DESCRIPTION                   | QTY |
|------|-------------|-------------------------------|-----|
| 1    | 090625      | AIR CLEANER 7 3/4             | 1   |
| 2    | 090624      | MOUNTING CLAMP 7 3/4          | 1   |
| 3    | 0D6749      | INTAKE TUBE 4" OD x 10 LG     | 1   |
| 4    | 072448      | HOSE RUBBER HUMP RDCR 4-2-3/4 | 1   |
| 5    | 0D6383      | BRACKET AIR CLEANER           | 1   |
| 6    | 086133G     | CLAMP HIGH TORQUE 3.75-4.625  | 2   |
| 7    | 086133D     | CLAMP HIGH TORQUE 2.25-3.125  | 1   |
| 8    | 049814      | SCREW HHC M10-1.5 x 25 G8.8   | 2   |
| 9    | 022131      | WASHER FLAT 3/8-M10 ZINC      | 4   |
| 10   | 045772      | NUT HEX M10-1.5 G8 YEL CHR    | 2   |
| 11   | 046526      | WASHER LOCK M10               | 2   |





