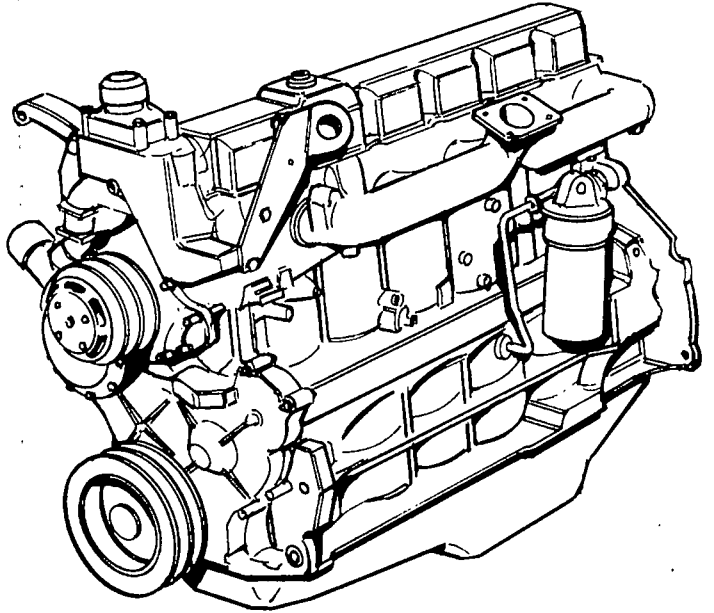


**PB75000D**

# **GENERAC**

**One-Stop Service**



# **7.5**

# **DIESEL**

# **PARTS MANUAL**

**P.O. BOX 8 WAUKESHA WI. 53187**

**PHONE: (414) 544-4811 / FAX: (414) 544-0179**

**PRINTED IN U.S.A.**

**ISSUED: 06/01/97**



CONTACT THE **CERTIFIED CENTRAL** DEALER NEAREST YOU

FOR FAST, FRIENDLY, CONVENIENT

**"ONE STOP SERVICE"**

**A/C Energy**  
(IL, WI, N.W. corner of IN counties of Lake, Porter, La Porte, & St. Joseph)  
3129 Louis Sherman Drive  
Steger, IL 60475  
Parts: (800) 800-0822  
Phone: (708) 758-2007  
Fax: (708) 758-2031

**Certified Electrical Distributors**  
(NC, SC, GA, TN)  
7715 Park Place Road  
York, SC 29745  
Parts: (800) 843-9103  
Phone: (803) 684-0085  
Fax: (803) 684-1228

**Clifford Power Systems**  
(KS OK, AR, MO, TX North of I-20)  
9310 East 46th Street North  
Tulsa, OK 74117  
Parts: (800) 324-0066  
Phone: (918) 836-0066  
Fax: (918) 836-0094

**EGN Distributing**  
(AL, FL Panhandle)  
2805 6th Avenue South  
Birmingham, AL 35233  
Parts: (800) 824-0139  
Phone: (205) 581-1335  
Fax: (205) 581-1337

**Energy Systems, INC**  
(CA, NV, UT)  
2619 Lycoming Street  
Stockton, CA 95206  
Parts: (800) 845-8519  
Phone: (209) 983-6900  
Fax: (209) 983-8919

**Hunter & Lomison**  
(PA, NY West of I-81)  
1956 West Fourth Street  
Williamsport, PA 17701  
Parts: (800) 922-9540  
Phone: (717) 326-1764  
Fax: (717) 326-5042

**Huntington Power**  
(ME, VT, NH, Eastern NY, MA, CT, RI, NJ)  
8 Algonkin Road  
Shelton, CT 06477  
Parts: (800) 473-1408  
Phone: (203) 929-3203  
Fax: (800) 929-0713

**Indiana Power & Service**  
(KY, OH, IN except counties of Lake, Porter, LaPorte, & St. Joseph)  
1415 Country Club Road  
Indianapolis, IN 46234  
Parts: (800) 229-1672  
Phone: (317) 271-1672  
Fax: (317) 271-1673

**Kelly Generator**  
(VA, WV, MD, DE)  
8421-A Westphalia Road  
Upper Marlboro, MD 20772  
Parts: (800) 677-3815  
Phone: (301) 420-3983  
Fax: (301) 736-6582

**Marr Brothers**  
(NM, LA, TX South of I-20)  
423 East Jefferson  
Dallas, TX 75209  
Parts: (800) 627-7276  
Phone: (214) 948-7387  
Fax: (800) 967-1259

**Nickel Equipment**  
(MI, UP)  
1006 South Division Avenue  
Grand Rapids, MI 49507  
Parts: (800) 638-2440  
Phone: (616) 241-2448  
Fax: (616) 241-4095

**Omni Energy**  
(MN, IA, ND, SD, NE)  
7000 Oxford Street  
St. Louis Park, MN 55426  
Parts: (888) 922-9511  
Phone: (612) 922-9511  
Fax: (612) 922-9545

**R.B. Grove**  
(FL, except Panhandle)  
261 SW 6th Street  
Miami, FL 33130  
Phone: (305) 854-5420  
Fax: (305) 854-0532

**Reliable Power Company**  
(OR, WA, AK)  
7911 NE 33rd Drive Suite 360  
Portland, OR 97211  
Parts: (800)  
Phone: (503) 282-2250  
Fax: (503) 282-2229

**Rocky Mountain Power Generation**  
(CO)  
6301 North Broadway  
Denver, CO 80216  
Parts: (800) 822-4332  
Phone: (303) 428-3611  
Fax: (303) 428-6785

**Southwest Products Corp.**  
(AZ)  
5143 West Roosevelt  
Phoenix, AZ 85043  
Parts: (800) 858-0033  
Phone: (602) 268-3581  
Fax: (602) 268-8448

**TW Enterprises**  
(MT, WY, ID)  
2059 North 9th Road  
Worden, MT 59088  
Parts: (800) 955-3795  
Phone: (406) 245-4600  
Fax: (406) 245-4333

**Total Power Limited**  
(Canada)  
5080 Timberlea Blvd. Unit #25  
Mississauga, Ontario  
Canada L4W4M2  
Phone: (905) 238-1529  
Fax: (905) 238-1533

# TABLE OF CONTENTS

ENGINE SERVICE RECOMMENDATIONS	2
QUICK REFERENCE GUIDE	3
CYLINDER BLOCK / HEAD / FRONT COVER	4
VALVE TRAIN AND COVER	6
CRANKSHAFT	8
PISTONS	9
OIL PAN / PUMP	10
OIL FILTER	11
INTAKE / EXHAUST MANIFOLDS	12
TURBOCHARGER / AIR CLEANER	13
FUEL PUMP/ FILTER / INJECTORS	14
WATER PUMP / THERMOSTAT / HOUSING	15
ENGINE FINISH PARTS	16

## LEGEND

<b>"AR"</b>	<b>AS REQUIRED PER APPLICATION</b>
<b>"O/S"</b>	<b>OVERSIZE</b>
<b>"U/S"</b>	<b>UNDERSIZE</b>
<b>"STD"</b>	<b>STANDARD SIZE</b>
<b>"EX."</b>	<b>EXHAUST</b>
<b>"IN."</b>	<b>INTAKE</b>

# 7.5L DIESEL ENGINE SERVICE RECOMMENDATIONS

## SPECIFICATIONS:

CRANKCASE OIL CAPACITY: 23.2 U.S. QUARTS (22 LITERS)  
COOLING SYSTEM CAPACITY: 6 U.S. GALLONS (23 LITERS)

## RECOMMENDED FLUIDS

### COOLANT:

USE A MIXTURE OF HALF LOW SILICATE, ETHYLENE GLYCOL BASE ANTI-FREEZE AND HALF SOFT WATER. COOLING SYSTEM CAPACITY IS ABOUT 6 U.S. GALLONS (15 LITERS). USE ONLY SOFT WATER AND ONLY LOW SILICATE ANTI-FREEZE. IF DESIRED, YOU MAY ADD A HIGH QUALITY RUST INHIBITOR TO THE RECOMMENDED COOLANT MIXTURE. WHEN ADDING COOLANT, ALWAYS ADD THE RECOMMENDED 50-50 MIXTURE.

**CAUTION: DO NOT USE ANY CHROMATE BASE RUST INHIBITOR WITH ETHYLENE GLYCOL BASE ANTI-FREEZE OR CHROMIUM HYDROXIDE ("GREEN SLIME") WILL FORM AND CAUSE OVERHEATING. ENGINES THAT HAVE BEEN OPERATED WITH A CHROMATE BASE RUST INHIBITOR MUST BE CHEMICALLY CLEANED BEFORE ADDING ETHYLENE GLYCOL BASE ANTI-FREEZE. USING ANY HIGH SILICATE ANTI-FREEZE BOOSTERS OR ADDITIVES WILL ALSO CAUSE OVERHEATING. IT IS ALSO RECOMMENDED THAT NO SOLUBLE OIL INHIBITORS ARE USED FOR THIS EQUIPMENT.**

### ENGINE OIL:

USE A HIGH QUALITY DETERGENT OIL CLASSIFIED \*FOR SERVICE SC, SD, SE, OR SF\*. DETERGENT OILS KEEP THE ENGINE CLEANER AND REDUCE CARBON DEPOSITS. USE OIL HAVING THE FOLLOWING VISCOSITY RATING BASED ON THE AMBIENT TEMPERATURE RANGE ANTICIPATED BEFORE THE NEXT OIL CHANGE.

TEMPERATURE	RECOMMENDED OIL GRADE
ABOVE 75° F	SAE 30W
40° TO 75° F	SAE 20W OR 10W-30
10° TO 40° F	SAE 10W OR 10W-30
BELOW 10° F	SAE 5W OR 5W-30

## PERIODIC ENGINE MAINTAINANCE SCHEDULE

### AFTER FIRST 50 HOURS OF OPERATION

CHANGE ENGINE CRANKCASE OIL AND OIL FILTER

### EVERY SIX MONTHS

CHANGE ENGINE OIL AND FILTER  
LUBRICATE ENGINE CONTROLS  
SERVICE ENGINE AIR FILTER  
SERVICE ENGINE FUEL FILTER  
INSPECT FAN BELTS  
CHECK ENGINE COOLANT LEVEL  
INSPECT ENGINE COOLING SYSTEM HOSES

### EVERY TWO YEARS

REPLACE ALL RUBBER HOSES  
REPLACE ENGINE FAN BELTS  
DRAIN, FLUSH AND REFILL COOLING SYSTEM

# 7.5L DIESEL QUICK REFERENCE GUIDE

## ENGINE TUNE-UP / ENGINE PARTS

OIL FILTER CARTRIDGE	96701
AIR FILTER ELEMENT	90625
FUEL FILTER ELEMENT	376-96383
PISTON KIT (INCL. RINGS, PIN, RETAINERS, AND SLEEVE)	132-92460
PISTON RINGS (STD)	140-92460
PIN, PISTON	138-92460
RETAINER, PISTON PIN	139-92460
REAR MAIN OIL SEAL	109-96383
CRANKSHAFT MAIN BRG SET (STD)	172-96383
ROD BEARING SET (STD)	177-92461
V-BELT	95280
THERMOSTAT	341-96383

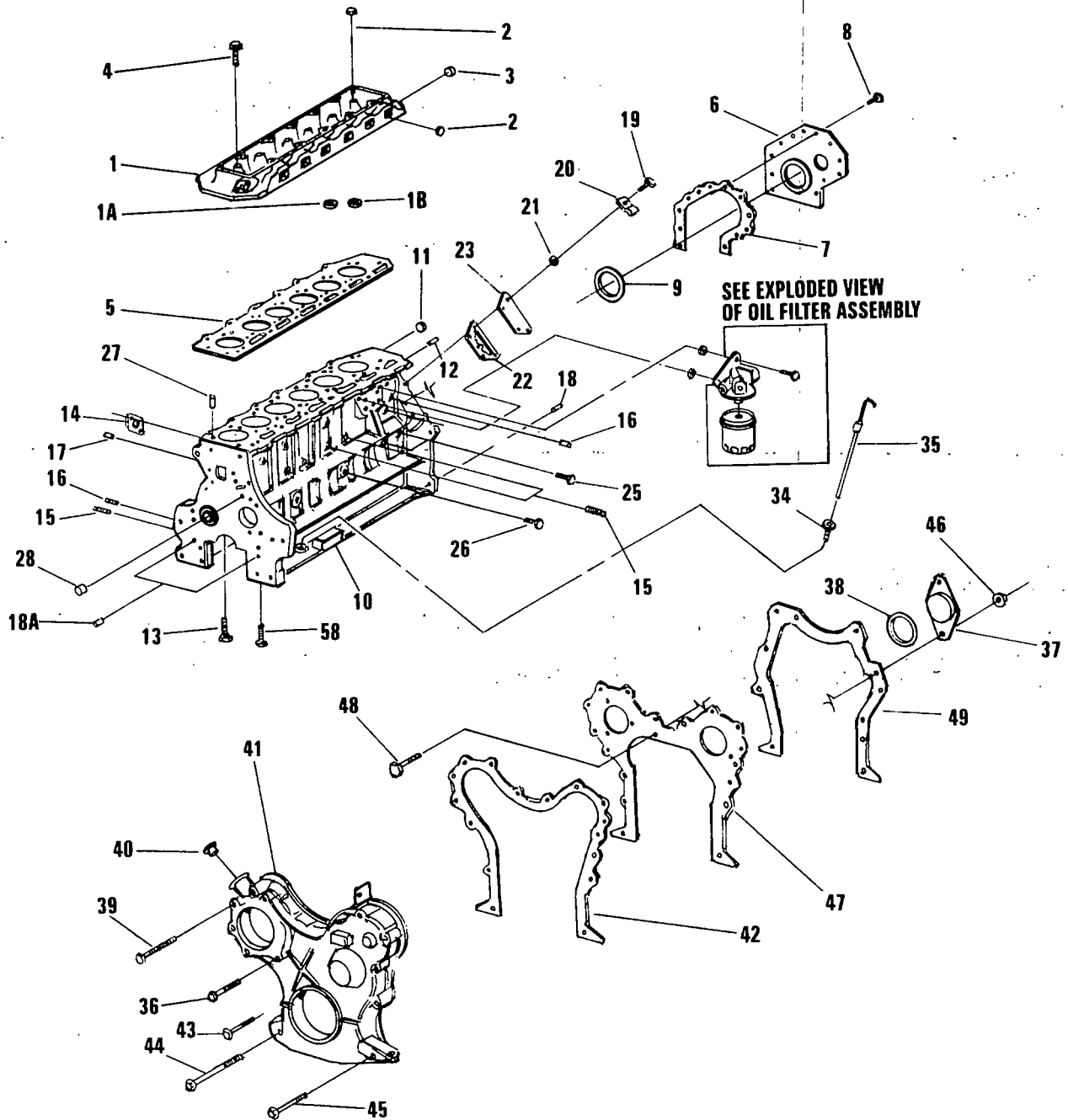
## TORQUE SPECIFICATIONS

CYLINDER HEAD BOLTS (FINAL STAGE)	160 ft lbs
FUEL INJECTORS	17 ft lbs
EXHAUST MANIFOLD BOLTS	28 ft lbs
INTAKE MANIFOLD BOLTS	26 ft lbs
CAMSHAFT GEAR BOLT	51 ft lbs
CAMSHAFT IDLER GEAR BOLT	175 ft lbs
FUEL INJ. PUMP GEAR BOLT	58 ft lbs
FRONT COVER BOLTS (5/16")	13-18 ft lbs
FRONT COVER BOLTS (3/8")	25-30 ft lbs
OIL PAN BOLTS	28 ft lbs
CONNECTING ROD CAP BOLTS	110 ft lbs
MAIN BEARING CAP BOLTS	140-150 ft lbs
REAR COVER PLATE BOLTS	12-17 ft lbs
OIL PUMP MOUNTING BOLTS	17-21 ft lbs
WATER PUMP MOUNTING BOLTS	48 ft lbs

### **SPECIAL NOTE:**

THERE WERE TWO DIFFERENT CONFIGURATIONS FOR THE OIL RETURN TUBE FROM THE TURBOCHARGER ON UNITS BUILT WITH THIS ENGINE. PLEASE SEE THE ILLUSTRATIONS ON PAGES 11 AND 13 TO PROPERLY IDENTIFY THE CONFIGURATION BEING SERVICED.

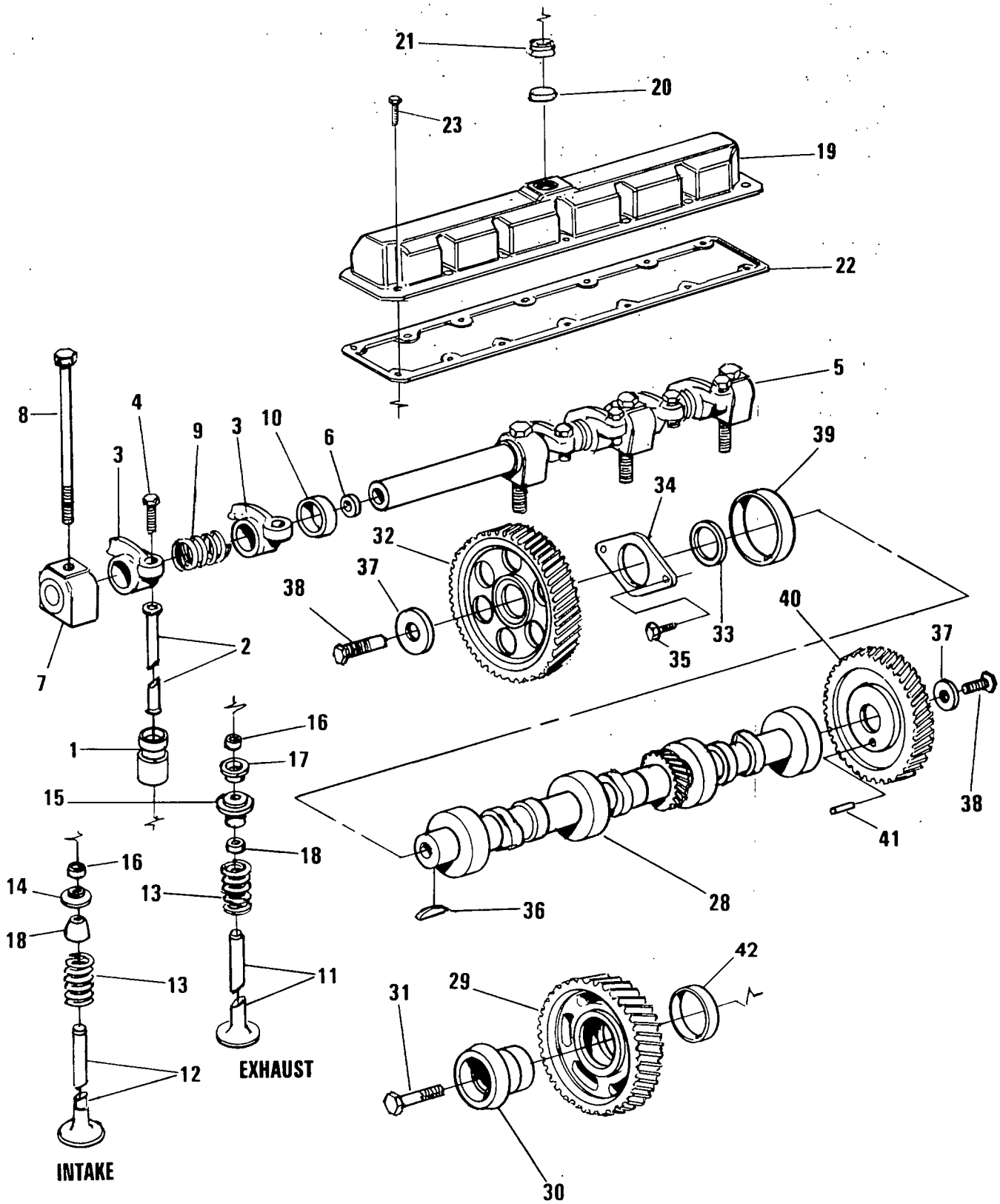
# 7.5L DIESEL CYLINDER BLOCK / HEAD / FRONT COVER



# 7.5L DIESEL CYLINDER BLOCK / HEAD / FRONT COVER

ITEM	PART NO.	DESCRIPTION	QTY
1	101-92461	HEAD ASSEMBLY	1
1A	120-96383	INSERT, EX. VALVE SEAT, STD	6
	121-96383	INSERT, EX. VALVE SEAT, .010" (.25MM) O/S	AR
	122-96383	INSERT, EX. VALVE SEAT, .020" (.51MM) O/S	AR
1B	124-96383	INSERT, IN. VALVE SEAT, STD	6
	125-96383	INSERT, IN. VALVE SEAT, .010" (.25MM) O/S	AR
	126-96383	INSERT, IN. VALVE SEAT, .020" (.51MM) O/S	AR
2	102-96383	PLUG, 1.13, CUP	11
3	103-96383	PLUG, 1.75, CUP	1
4	104-96383	BOLT, CYLINDER HEAD	19
5	102-92461	GASKET, CYLINDER HEAD	1
6	106-96383	PLATE, OIL SEAL RETAINER	1
7	107-96383	GASKET, RETAINER	1
8	108-96383	BOLT, HEX FLNG HD, 5/16"-18 X .62	12
9	109-96383	SEAL ASSEMBLY	1
10	100-92461	BLOCK ASSEMBLY	1
11	103-96383	PLUG, CUP 1-3/4"	1
12	111-96383	DOWEL	1
13	112-96383	JET, PISTON OIL	6
14	113-96383	PLUG, CUP 1-1/2"	3
15	105-92461	PLUG, PIPE 1/4"	4
16	106-92461	PLUG, PIPE 1/8"-27	2
17	116-96383	PLUG, CUP 1.18	AR
18	117-96383	PIN, DOWEL 1/2" X 1"	2
18A	118-96383	PIN, DOWEL 3/8" X 1.125	2
19	314-96383	BOLT, FLANGE, HEX HEAD 3/8"-16 X 1"	4
20	128-96383	CLIP	1
21	129-96383	WASHER, FLAT 3/8"	1
22	107-92461	GASKET, OIL PUMP COVER	1
23	108-92461	COVER, OIL PUMP	1
25	110-92461	PLUG, HEX HEAD 3/8"-18	1
26	111-92461	PLUG, HEX HEAD 3/4"-14 X 3/4"	1
27	135-96383	DOWEL	2
28	136-96383	PLUG, CUP .824	1
34	138-96383	TUBE, OIL INDICATOR	1
35	139-96383	OIL INDICATOR ASSEMBLY	1
36	259-96383	BOLT, HEX FLANGE HEAD 3/8"-16 X 1.50	1
37	141-96383	COVER	1
38	112-92461	SEAL, O-RING	1
39	143-96383	BOLT, HEX FLANGE HEAD 5/16"-18 X 2-1/2"	2
40	144-96383	OIL FILL CAP ASSEMBLY	1
41	113-92461	COVER, FRONT CYLINDER	1
42	146-96383	GASKET, FRONT COVER	1
43	147-96383	BOLT, HEX FLANGE HEAD 5/16"-18 X 2"	4
44	148-96383	BOLT, HEX FLANGE HEAD 3/8"-16 X 3"	2
45	114-92461	BOLT, HEX FLANGE HEAD 3/8"-16 X 2"	9
46	115-92461	NUT, HEX	2
47	151-96383	PLATE, FRONT COVER	1
48	152-96383	BOLT, HEX HEAD 5/16"-18 X 3/4"	4
49	153-96383	GASKET, FRONT PLATE	1
50	106-92460	SLEEVE, CYLINDER	6
58	116-92461	BOLT, BEARING CAP 9/16"-12	14

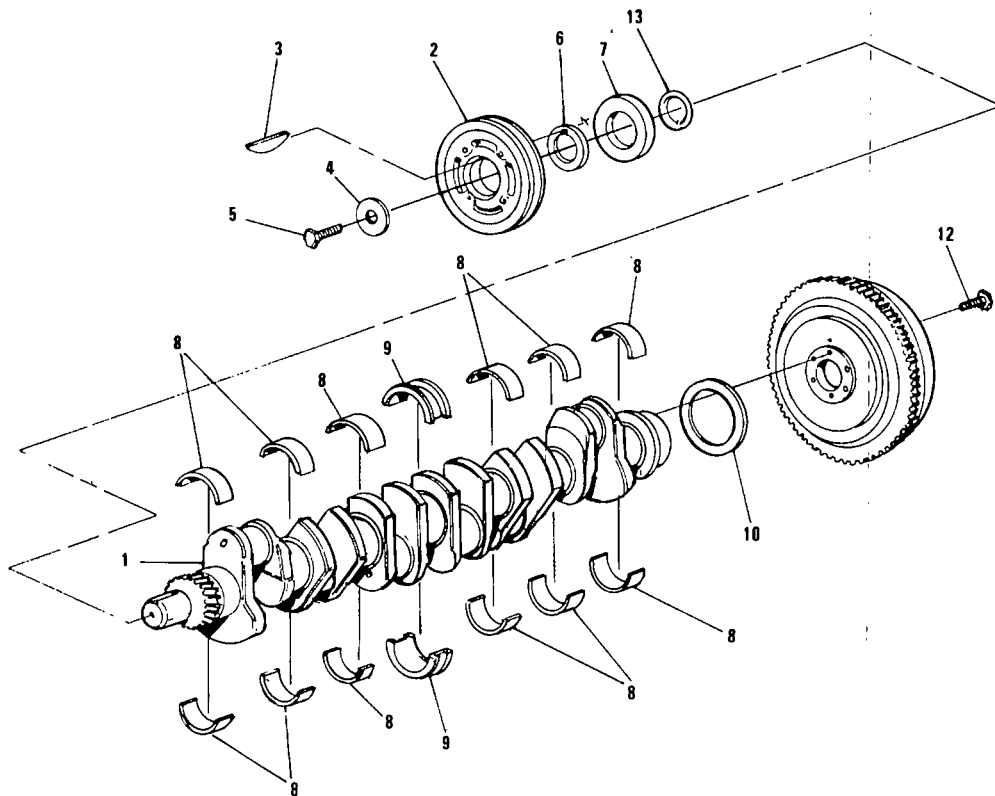
# 7.5L DIESEL VALVE TRAIN AND COVER



## 7.5L DIESEL VALVE TRAIN AND COVER

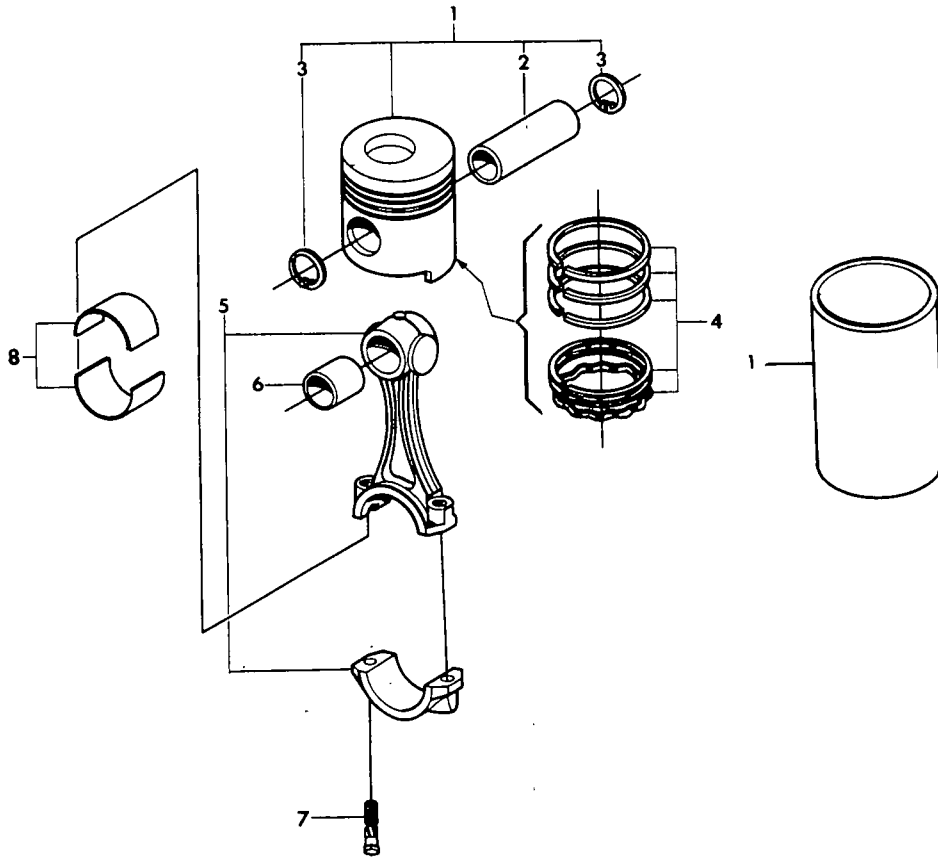
<u>ITEM</u>	<u>PART NO.</u>	<u>DESCRIPTION</u>	<u>QTY</u>
1	195-96383	TAPPET, VALVE	12
2	196-96383	ROD, PUSH	12
3	198-96383	ARM ASSEMBLY, INTAKE	6
	197-96383	ARM ASSEMBLY, EXHAUST	6
4	199-96383	SCREW, ADJUSTING	6
5	123-92461	SHAFT, ROCKER ARM	1
6	201-96383	PLUG, CUP .755	2
7	202-96383	SUPPORT	7
8	203-96383	BOLT	7
9	204-96383	SPRING	6
10	205-96383	SPACER	6
11	206-96383	VALVE, EXHAUST, STD	6
	124-92461	VALVE, EXHAUST .015 (.38MM) O/S	AR
12	209-96383	VALVE, INTAKE, STD	6
	125-92461	VALVE, INTAKE .015 (.38MM) O/S	AR
13	212-96383	SPRING, VALVE	12
14	213-96383	RETAINER, INTAKE VALVE	6
15	214-96383	RETAINER, EXHAUST VALVE	6
16	215-96383	KEY, RETAINER	24
17	216-96383	SLEEVE, VALVE SPRING RETAINER, EX.	6
18	217-96383	SEAL, VALVE STEM	12
19	126-92461	COVER ASSEMBLY	1
20	127-92461	FILTER, VENT TUBE	1
21	220-96383	GROMMET	1
22	128-92461	GASKET, VALVE COVER	1
23	222-96383	BOLT, FLANGE HEAD 5/16"-18 X .62	14
28	129-92461	CAMSHAFT	1
29	224-96383	GEAR ASSEMBLY, CAMSHAFT DRIVE	1
30	130-92461	ADAPTOR, CAMSHAFT GEAR	1
31	131-92461	BOLT, HEX HEAD 5/8"-11 X 2.125	1
32	227-96383	GEAR, CAMSHAFT	1
33	228-96383	SPACER, CAMSHAFT GEAR	1
34	229-96383	PLATE, CAMSHAFT THRUST	1
35	132-92461	SCREW & WASHER, HEX HEAD 3/8"-16 X .75	2
36	231-96383	KEY, WOODRUFF 3/16" X .75	1
37	232-96383	WASHER	2
38	133-92461	BOLT, HEX HEAD 7/16"-14 X 1.25	2
39	183-92461	BEARING, CAMSHAFT	3
40	235-96383	GEAR ASSEMBLY, OIL PUMP DRIVE	1
41	134-92461	PIN, DOWEL 5/16" X .625	1
42	184-92461	BUSHING, CAMSHAFT GEAR ADAPTOR	1

# 7.5L DIESEL CRANKSHAFT



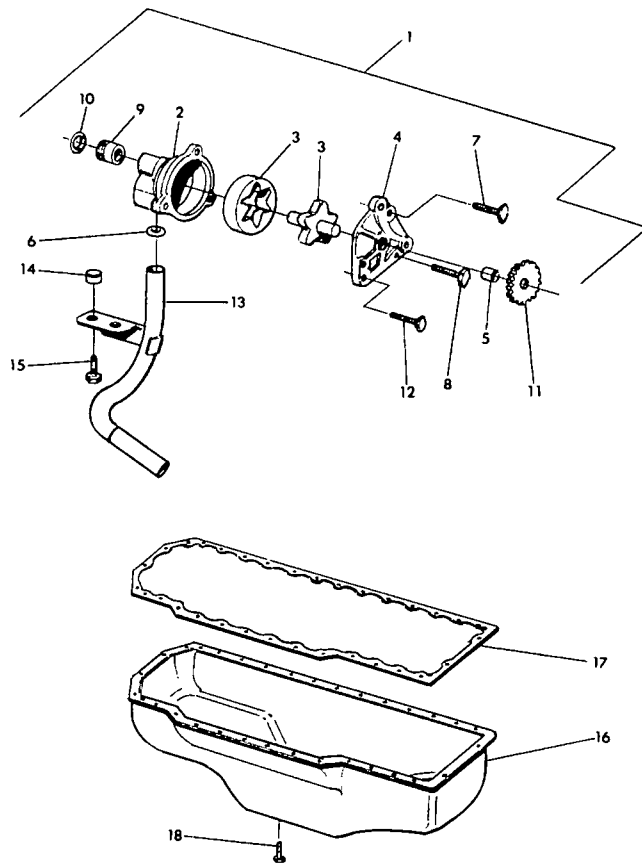
ITEM	PART NO.	DESCRIPTION	QTY
1	117-92461	CRANKSHAFT ASSEMBLY	1
1A	118-92461	GEAR	1
2	161-96383	DAMPER ASSEMBLY	1
3	119-92461	KEY, TAPER 3/8" X 5/16" X 1.91	1
4	163-96383	WASHER, FLAT 3/4"	1
5	121-92461	BOLT, HEX HEAD 3/4"-16 X 1-3/4"	1
6	110-92460	SPACER	1
7	166-96383	SEAL ASSEMBLY	1
8	172-96383	KIT, LINER, MAIN BEARING, STD	6
	167-96383	MAIN BEARING .002 U/S	AR
	168-96383	MAIN BEARING .010 U/S	AR
	169-96383	MAIN BEARING .020 U/S	AR
	170-96383	MAIN BEARING .030 U/S	AR
	171-96383	MAIN BEARING .040 U/S	AR
9	178-96383	KIT, LINER, THRUST BEARING, STD	1
	173-96383	THRUST BEARING .002 U/S	AR
	174-96383	THRUST BEARING .010 U/S	AR
	175-96383	THRUST BEARING .020 U/S	AR
	176-96383	THRUST BEARING .030 U/S	AR
	177-96383	THRUST BEARING .040 U/S	AR
10	109-96383	SEAL ASSEMBLY	1
11	97646	FLYWHEEL	1
12	96393	BOLTS, FLYWHEEL MOUNTING	6
13	193-96383	SEAL, O-RING	1

# 7.5L DIESEL PISTONS



<u>ITEM</u>	<u>PART NO.</u>	<u>DESCRIPTION</u>	<u>QTY</u>
1	132-92460	KIT, PISTON, RINGS, SLEEVE, PIN, RETAINER	AR
2	138-92460	PIN, PISTON	6
3	139-92460	RETAINER	12
4	292-96383	RINGS, STD	6
5	296-96383	CONNECTING ROD	6
6	297-96383	BUSHING	6
7	298-96383	BOLT	12
8	177-92461	BEARING, CON ROD, STD	6
	178-92461	BEARING, CON ROD .002 U/S	AR
	179-92461	BEARING, CON ROD .010 U/S	AR
	180-92461	BEARING, CON ROD .020 U/S	AR
	181-92461	BEARING, CON ROD .030 U/S	AR
	182-92461	BEARING, CON ROD .040 U/S	AR

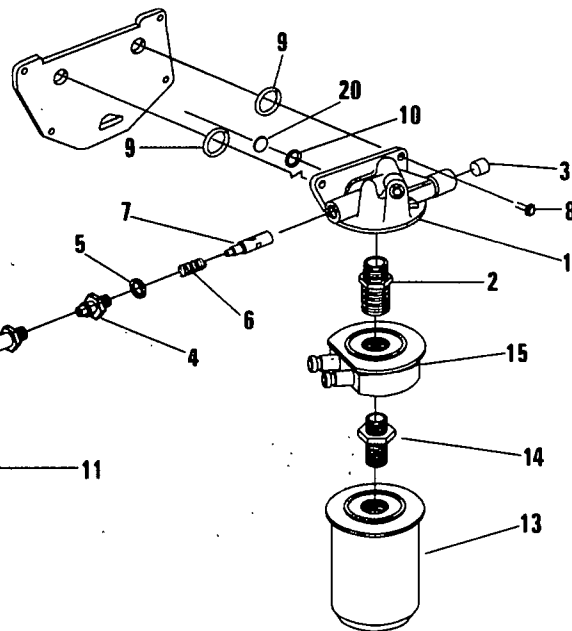
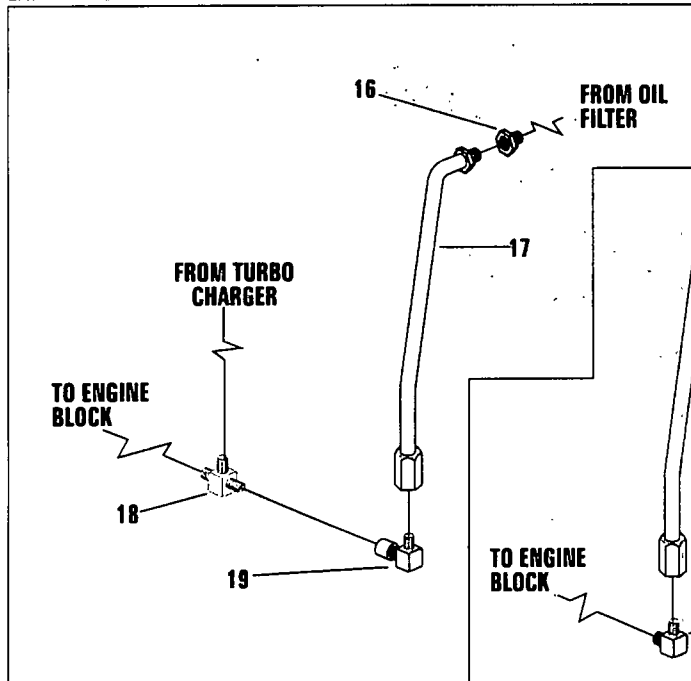
# 7.5L DIESEL OIL PAN / PUMP



ITEM	PART NO.	DESCRIPTION	QTY
1	135-92461	PUMP ASSEMBLY, OIL	1
2	NOT AVAILABLE	BODY	
3	136-92461	ROTOR AND SHAFT ASSEMBLY	1
4	137-92461	COVER ASSEMBLY	1
5	138-92461	BUSHING	1
6	139-92461	O-RING	1
7	241-96383	BOLT	2
8	242-96383	BOLT, HEX HEAD M8 X 1.25	2
9	243-96383	SLEEVE, OUTLET	1
10	244-96383	O-RING	1
11	245-96383	GEAR, OIL PUMP DRIVE	1
12	246-96383	BOLT, HEX HEAD 5/16"-18 X 1-1/4"	3
13	140-92461	SCREEN AND TUBE ASSEMBLY	1
14	248-96383	PLUG, SOCKET HEAD 3/8"-18 X .42	1
15	141-92461	BOLT, HEX HEAD 3/8"-16 X 3/4"	1
16	142-92461	PAN ASSEMBLY, OIL	1
17	143-92461	GASKET, OIL PAN	1
18	144-92461	BOLT, OIL PAN	34

# 7.5L DIESEL OIL FILTER

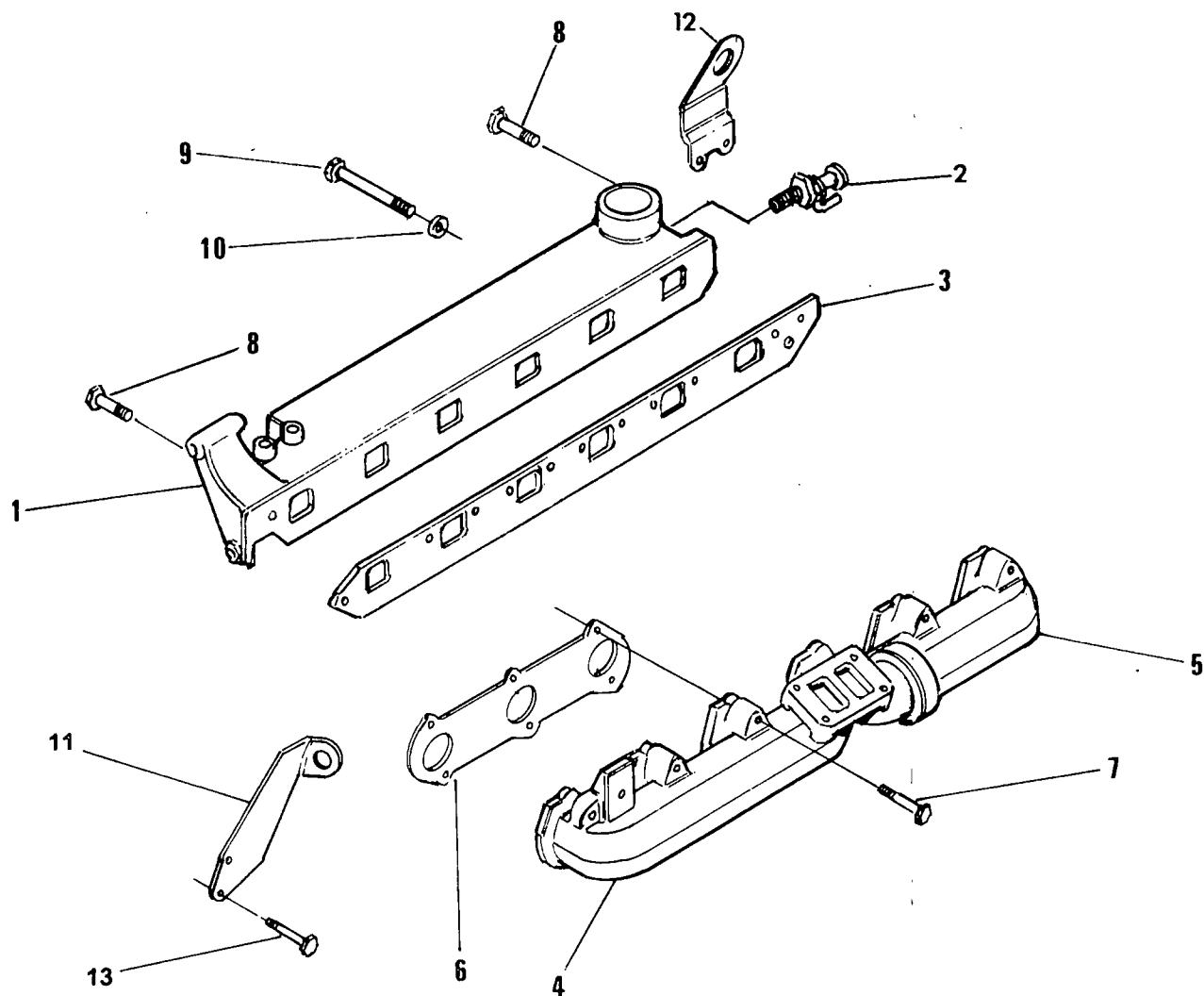
## EARLY VERSION



## LATE VERSION

ITEM	PART NO.	DESCRIPTION	QTY
1	153-92461	SUPPORT ASSEMBLY, OIL FILTER MOUNTING	1
2	307-96383	INSERT	1
3	308-96383	PLUG, SOCKET HEX HEAD	1
4	309-96383	CONNECTOR	1
5	311-96383	SEAL, O-RING	1
6	312-96383	SPRING	1
7	313-96383	VALVE, OIL PRESSURE RELIEF	1
8	314-96383	BOLT, FLANGE HEAD 3/8"-16 X 1"	4
9	315-96383	SEAL, O-RING	2
10	280-96383	SEAL, O-RING	1
11	317-96383	TUBE, RELIEF VALVE VENT (LATE)	1
12	97050	ELBOW, CONNECTION (LATE)	1
13	96701	OIL FILTER ELEMENT	1
14	176-92461	INSERT	1
15	175-92461	OIL COOLER	1
16	96986	FITTING, CONNECTOR (EARLY)	1
17	96987	TUBE, RELIEF VALVE VENT (EARLY)	1
18	96988	FITTING, DUAL DRAIN (EARLY)	1
19	96860	FITTING, ELBOW (EARLY)	1
20	160-92460	PLUG, OIL FILTER SUPPORT	1

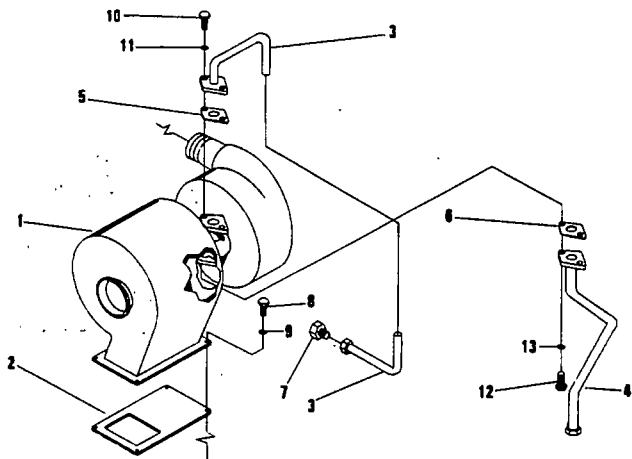
# 7.5L DIESEL INTAKE / EXHAUST MANIFOLDS



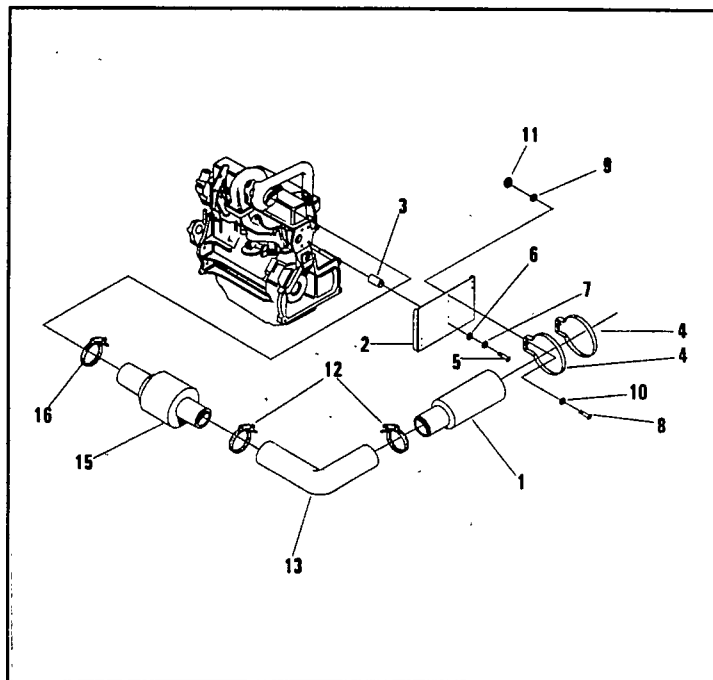
ITEM	PART NO.	DESCRIPTION	QTY
1	145-92461	INTAKE MANIFOLD ASSEMBLY	1
2	146-92461	PLUG, INTAKE MANIFOLD HEATER	1
3	147-92461	GASKET, INTAKE MANIFOLD	1
4	148-92461	EXHAUST MANIFOLD, FRONT	1
5	149-92461	EXHAUST MANIFOLD, REAR	1
6	150-92461	GASKET, EXHAUST MANIFOLD	2
7	148-96383	BOLT, HEX FLANGE HEAD 3/8"-16 X 2-1/2"	12
8	284-96383	BOLT, HEX FLANGE HEAD 3/8"-16 X 1-1/4"	2
	259-96383	BOLT, HEX FLANGE HEAD 3/8"-16 X 1-1/2"	1
9	261-96383	BOLT, HEX FLANGE HEAD	5
10	260-96383	SEAL, O-RING	5
11	151-92461	FRONT LIFT PLATE	1
12	152-92461	REAR LIFT PLATE	1
13	259-96383	BOLT, HEX FLANGE HEAD 3/8"-16 X 1.50	2

# 7.5L DIESEL TURBOCHARGER / AIR CLEANER

## EARLY VERSION

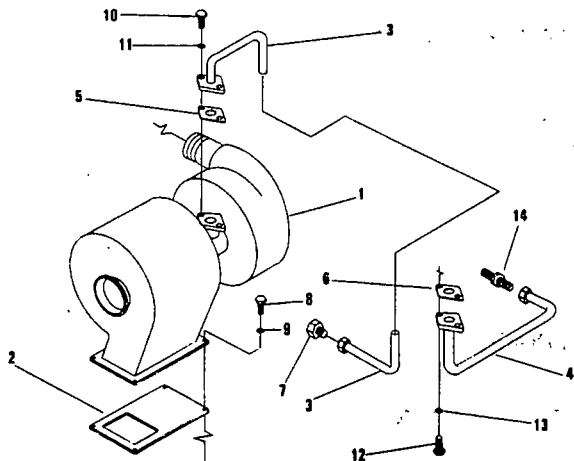


ITEM	PART NO.	DESCRIPTION	QTY
1	95540	TURBOCHARGER	1
2	97659	GASKET, TURBOCHARGER	1
3	98453	INLET PIPE (EARLY)	1
	95263	INLET PIPE (LATE)	1
4	98456	OUTLET PIPE (EARLY)	1
	96087	OUTLET PIPE (LATE)	1
5	98455	GASKET, INLET PIPE	1
6	98457	GASKET, OUTLET PIPE	1
7	96877	FITTING, INLET PIPE	1
8	29745	CAPSCREW, HEX HEAD	4
9	22237	LOCKWASHER M10	4
10	22125	CAPSCREW, HEX HEAD	2
11	22129	LOCKWASHER 5/16"	2
12	29745	CAPSCREW, HEX HEAD	2
13	22237	LOCKWASHER, 3/8"	2
14	A1532	FITTING, RETURN PIPE (LATE)	1

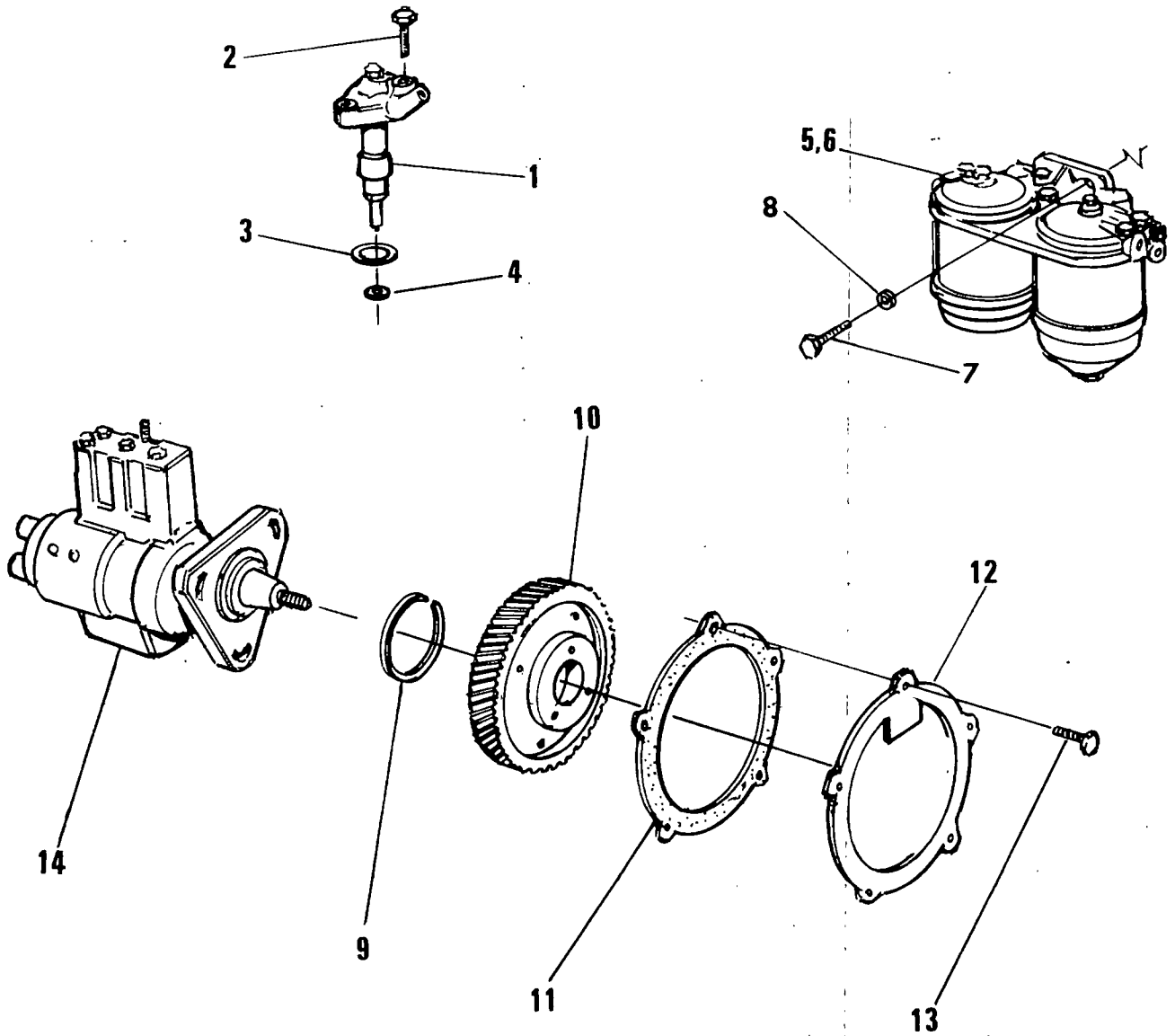


ITEM	PART NO.	DESCRIPTION	QTY
1	90625	AIR CLEANER 7-3/4" O.D.	1
2	95309	BRACKET, AIR CLEANER	1
3	95310	SPACER	4
4	90624	CLAMP, MOUNTING 7-3/4"	2
5	22368	CAPSCREW, HEX HEAD	4
6	22250	WASHER, FLAT 7/16"	4
7	22302	WASHER, LOCK 7/16"	4
8	49814	CAPSCREW, HEX HEAD	4
9	46526	WASHER, LOCK M10	4
10	22131	WASHER, FLAT M10	4
11	45772	HEX NUT, M10-1.5	4
12	57648	CLAMP, HOSE #64	2
13	20004	TUBE, AIR CLEANER	1
15	59668	REDUCER, 4" TO 3"	1
16	39294	CLAMP, HOSE #44	1

## LATE VERSION

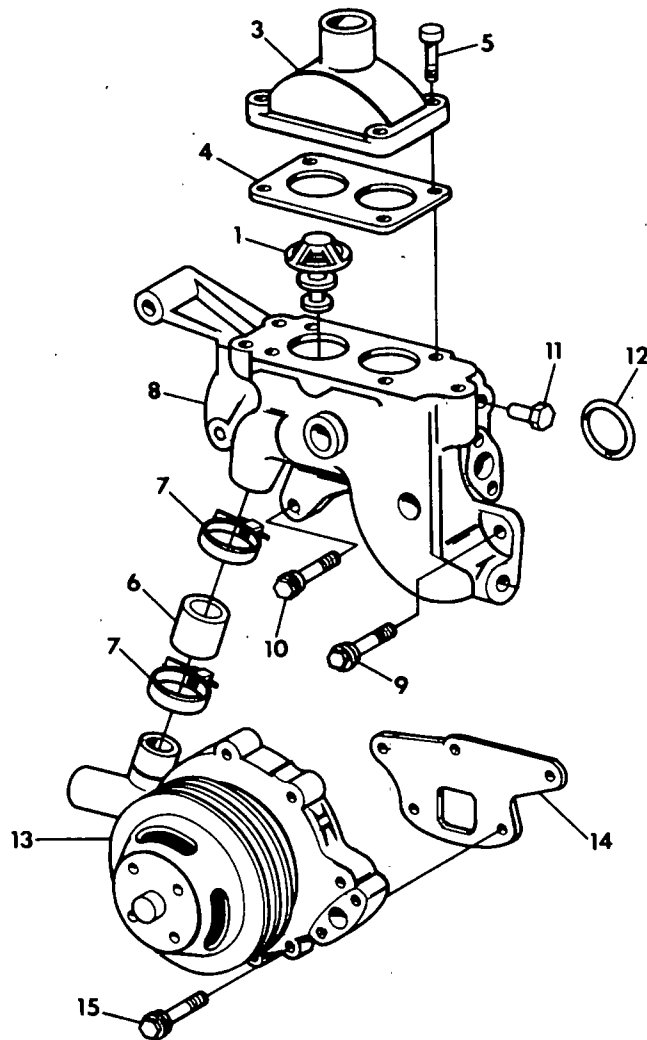


# 7.5L DIESEL FUEL PUMP / FILTER / INJECTORS



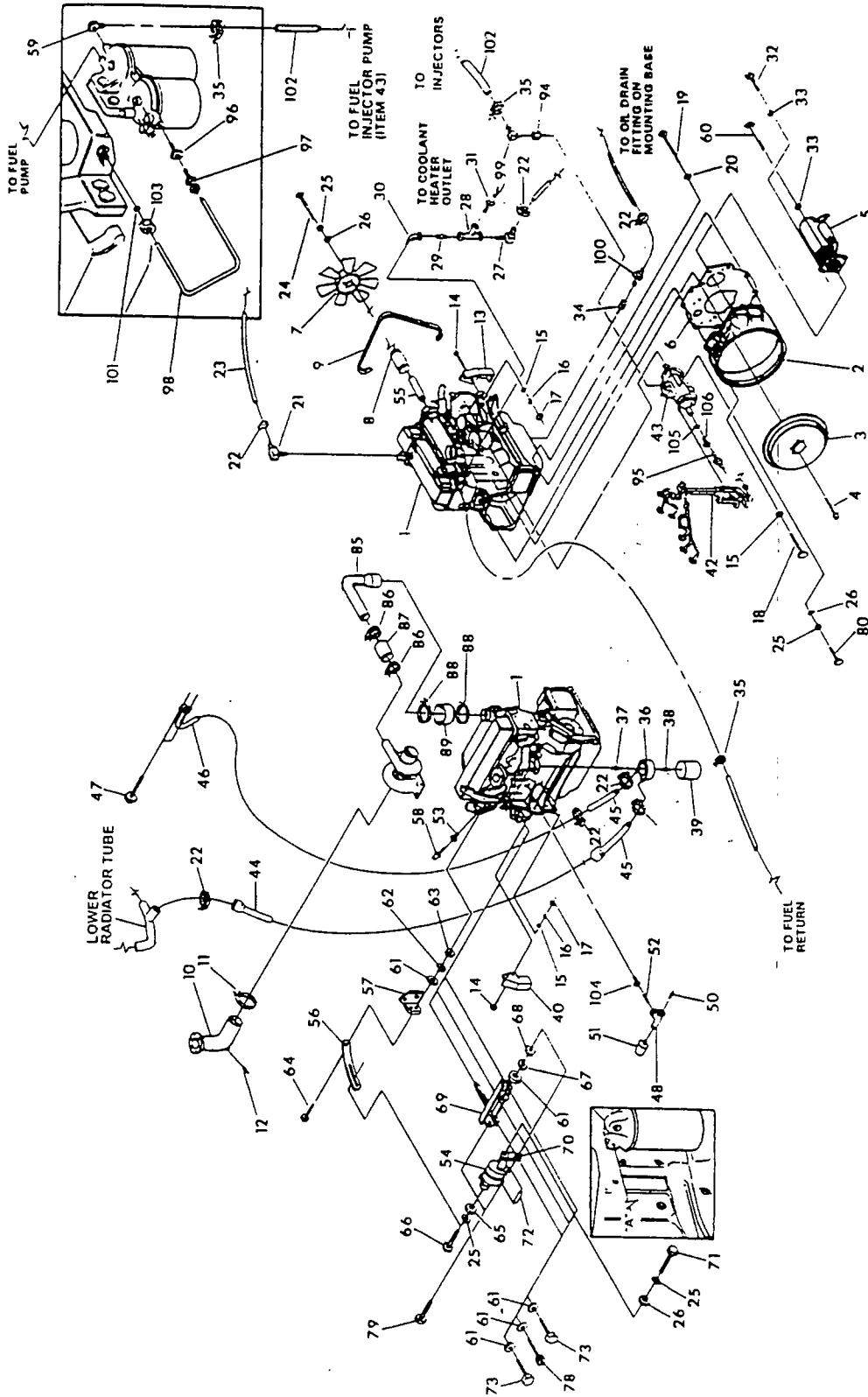
ITEM	PART NO.	DESCRIPTION	QTY
1	414-96383	INJECTOR ASSEMBLY, FUEL	6
2	155-92461	BOLT, HEX FLANGE HEAD 5/16"-18 X 1.38	12
3	368-96383	SEAL, FUEL INJECTOR	6
4	367-96383	WASHER, FUEL INJECTOR SEAL	6
5	375-96383	FILTER ASSEMBLY, FUEL	1
6	376-96383	ELEMENT, FUEL FILTER	2
7	157-92461	BOLT, M8 X 40	2
8	158-92461	WASHER, FLAT	2
9	364-96383	SEAL, O-RING	1
10	365-96383	GEAR, FUEL INJECTION PUMP	1
11	160-92461	GASKET, TIMING COVER	1
12	161-92461	COVER, FUEL INJECTION PUMP TIMING	1
13	162-92461	BOLT, TIMING COVER	5
14	98309	FUEL INJECTION PUMP	1

# 7.5L DIESEL WATER PUMP / THERMOSTAT / HOUSING



ITEM	PART NO.	DESCRIPTION	QTY
1	341-96383	THERMOSTAT	1
3	164-92461	COVER	1
4	165-92461	GASKET	1
5	166-92461	SCREW	4
6	167-92461	SLEEVE	1
7	337-96383	CLAMP	2
8	168-92461	HOUSING, THERMOSTAT	1
9	169-92461	BOLT, HEX FLANGE HEAD 5/16"-18 X 1.00	2
10	170-92461	BOLT, HEX HEAD 7/16"-14 X 1.50	2
11	133-96383	PLUG	1
12	171-92461	SEAL, O-RING	1
13	172-92461	WATER PUMP ASSEMBLY	1
14	173-92461	GASKET, WATER PUMP	1
15	174-92461	BOLT, HEX HEAD 7/16"-14 X 3.00	4

# 7.5L DIESEL ENGINE FINISH PARTS



## 7.5L DIESEL ENGINE FINISH PARTS

ITEM	PART NO.	DESCRIPTION	QTY
1	92461	ENGINE, 7.5L	1
2	95005	FLYWHEEL HOUSING	1
3	97646	FLYWHEEL W/ RING GEAR	1
4	96393	BOLTS, FLYWHEEL MOUNTING	6
5	95281	STARTER	1
6	95008	END PLATE	1
7	98184	FAN, COOLING- 26"	1
8	87287	SPACER, FAN	1
9	95280	V-BELT	2
10	98461	ELBOW, EXHAUST	1
11	98458	CLAMP, EXHAUST ELBOW	1
12	96757	PLUG, EXHAUST ELBOW	1
13	98856	MOUNTING FOOT, R.H.	1
14	98779	CAPSCREW, HEX HEAD	4
15	45900	FLAT WASHER, 3/4"	6
16	23171	LOCK WASHER, 3/4"	4
17	23170	HEX NUT	4
18	96387	CAP SCREW, SOCKET HEAD	2
19	96388	CAPSCREW, HEX HEAD	4
20	22247	FLAT WASHER	4
21	59412	BARBED 90° FITTING	1
22	57822	CLAMP, HOSE #8	9
23	57448	HOSE, OIL	1
24	36287	CAP SCREW, HEX HEAD	4
25	22129	LOCK WASHER	10
26	22145	FLAT WASHER	8
27	56460	BARBED 90° FITTING	1
28	30416	PIPE, TEE	1
29	30985	NIPPLE	1
30	49611	REDUCER	1
31	35606	SWITCH, HIGH WATER TEMP.	1
32	49541	CAPSCREW, HEX HEAD	2
33	46526	LOCKWASHER	3
34	65317	ADAPTOR	1
35	40173	CLAMP, HOSE #5.5	4
39	96701	OIL FILTER CARTRIDGE	1
40	98855	MOUNTING FOOT, L.H.	1
42	96775	INJECTION LINES	1
43	98309	INJECTION PUMP	1
44	50967	HOSE 34"	1
45	50967	HOSE 4"	1
46	98449	TUBE, RETURN	1
47		BOLT	2
48	35430	TEE	1
49	26073	PIPE PLUG	1
50	60108	SWITCH, OIL PRESSURE	1
51	53666	SENDER, OIL PRESSURE	1

ITEM	PART NO.	DESCRIPTION	QTY
52	35578	NIPPLE	1
53	55476	REDUCER	1
54	50618	ALTERNATOR, DC	1
55	99935	PILOT 3" SPACER	1
56	99224	BRACKET, BELT TENSIONER	1
57	99223	BRACKET, TENSIONER	1
58	53667	SENDER, COOLANT TEMP	1
59	97474	FITTING, BANJO	2
60	57642	CAPSCREW, HEX HEAD	1
61	22131	FLAT WASHER	3
62	46526	LOCK WASHER	1
63	45772	NUT, HEX	1
64	49814	CAPSCREW, HEX HEAD	1
65	50190	FLAT WASHER	1
66	42909	CAPSCREW, HEX HEAD	1
67	22237	LOCK WASHER	3
68	22241	HEX NUT	1
69	99222	BRACKET, ALTERNATOR	1
70	99225	SUPPORT BRACKET, ALT.	1
71	39253	CAPSCREW, HEX HEAD	1
72	20211	SPACER	1
73	29745	CAPSCREW, HEX HEAD	2
78	48527	CAPSCREW, SOCKET HEAD	1
79	20776	CAPSCREW, HEX HEAD	1
80	30209	CAPSCREW, HEX HEAD	3
85*	97658	TUBE, CROSSOVER	1
86*	86133C	CLAMP, HI-TORQUE HOSE	2
87*	71296	HOSE	1
88	86133E	CLAMP, HI-TORQUE HOSE	2
89	80773	HOSE 2"	1
94	57829A	ADAPTOR	1
95	67982	BARBED FITTING	1
96	60616	ADAPTOR	1
97	99477	FITTING	1
98	96704B	LINE, PREHEATER	1
99	59502	BARBED FITTING	1
100	44117	BARBED FITTING	1
101	99616	FERRULE	1
102	52221	HOSE, 30"	1
103	99615	NUT	1
104	35579	REDUCER	1
105	52677	SEAL	1
106	54455	ADAPTOR	1

\* USED ON 125KW