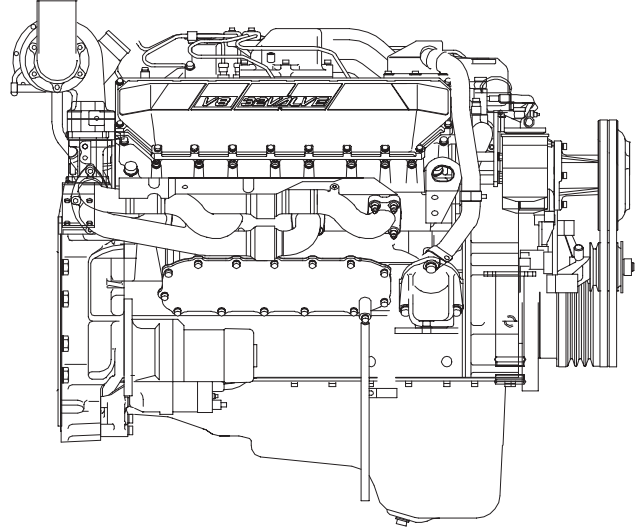


OD4337

GENERAC[®]
POWER SYSTEMS, INC.



17.0 LITER

D I E S E L

HINO
F17DTE

ENGINE
PARTS
MANUAL

The additional following hard copy reference materials are available for generator sets utilizing this engine:

Generac E Control Panel Manual0A7605
Engine Operation and Maintenance0D4335
Engine Service Manual0D4336
Engine Parts Manual0D4337
Taiyo Alternator Manual0D5207
Taiyo Voltage Regulator Manual0D5206

In addition, all Generac large generator set reference materials including all reference materials for this generator set and engine are contained in soft copy on the Generac "400 kW and Larger SERVICE CD", P/N 0C4754 for your convenience. By purchasing and registering this CD, you have the following advantages over trying to maintain a hard copy reference library:

- You have all reference materials available immediately at hand in 1 convenient package.
- You can print as many hard copies of any references you need as necessary and at your convenience.
- You will receive automatic notification of updates to the information on the CD as they occur without having to call and inquire about the latest revision available and without waiting for hard copies to be published, printed, and distributed.

For your convenience, all of the above reference materials can be ordered through your normal Generac Parts Distributor by referencing the appropriate part number. A list of Generac Ultimate Service Dealers (USD's) is included on the back of this manual.

17.0L DIESEL — TABLE OF CONTENTS

TABLE OF CONTENTS / LEGEND	1
QUICK REFERENCE ENGINE PARTS	2
ENGINE SERVICE RECOMMENDATIONS	2-7
PARTIAL ENGINE	8
SHORT BLOCK	9
CYLINDER HEAD	10-13
CYLINDER BLOCK	14-17
TIMING GEAR COVER AND FLYWHEEL HOUSING	18-19
MAIN MOVING PARTS	20-21
CAMSHAFT AND IDLE GEAR	22-23
VALVE SYSTEM	24-25
INTAKE AND EXHAUST SYSTEM	26-29
LUBRICATION	30-31
OIL FILTER	32-33
OIL COOLER	34-35
OIL PUMP	36-37
FUEL SYSTEM	38-40
FUEL FILTER	41
COOLING SYSTEM	42-43
ENGINE COOLANT PUMP	44-45
ELECTRICAL PARTS (ENGINE)	46-47
STARTING MOTOR	50-51
GASKET KIT (ENGINE OVERHAUL)	50
PISTON AND LINER KIT	51
PISTON PIN KIT (FOR ONE CYLINDER)	52
REPAIR KIT (ENGINE COOLANT PUMP)	53
THERMOSTAT KIT	54
FLANGE AND COUPLING	55
TURBOCHARGER	56-57
INDEX TO HARDWARE	58-60

LEGEND

“AR” AS REQUIRED
(STD) STANDARD SIZE
“O.S.” OVERSIZE
“U.S.” UNDERSIZE

NOTICE!

THE INFORMATION IN THIS MANUAL IS KNOWN TO BE ACCURATE AS OF THE DATE OF RELEASE SHOWN ON THE COVER. HOWEVER, ENGINEERING CHANGES CAN OCCUR WITHOUT NOTICE. TO OBTAIN THE PROPER PARTS, PLEASE BE SURE TO USE THE MODEL NUMBER OF THE UNIT BEING SERVICED WHEN ORDERING FROM THIS MANUAL.

17.0L DIESEL QUICK REFERENCE GUIDE

SPECIFICATIONS:

ENGINE TYPE

17.0 LITER **HINO** DIESEL ENGINE

CRANKCASE OIL CAPACITY:

6.87 U.S. GALLONS (26 LITERS)

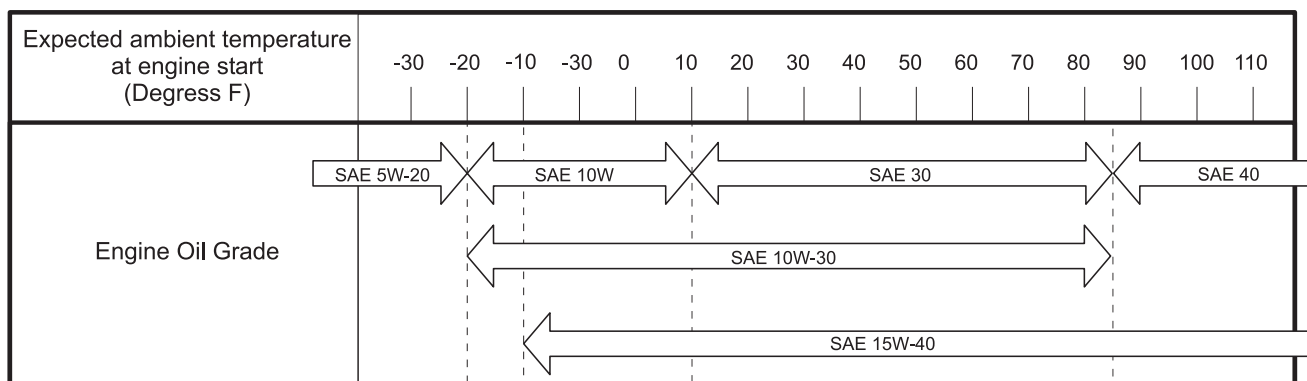
RECOMMENDED FLUIDS

COOLANT:

USE A 50/50 MIXTURE OF LOW SILICATE ETHYLENE GLYCOL BASE ANTI-FREEZE AND SOFT WATER. (IF DESIRED, A HIGH QUALITY RUST INHIBITOR MAY BE ADDED TO THE RECOMMENDED COOLANT MIXTURE.) WHEN ADDING COOLANT, ALWAYS ADD THE RECOMMENDED 50/50 MIXTURE.

ENGINE OIL:

USE A HIGH QUALITY DETERGENT OIL HAVING AAPI CLASSIFICATION "FOR SERVICE SF OR HIGHER." THE SAE VISCOSITY RATING OF THE OIL SHOULD BE CAREFULLY SELECTED, BASED ON THE PREVAILING AMBIENT TEMPERATURE RANGE ANTICIPATED BEFORE THE NEXT OIL CHANGE. RECOMMENDED SAE VISCOSITY GRADES ARE AS FOLLOWS:



NOTE: SAE 15W-40 Recommended for all seasons.

QUICK REFERENCE ENGINE PARTS

ITEM	PART NUMBER	DESCRIPTION	QTY
NOT SHOWN	0C875000PM	SCHEDULED MAINTENANCE KIT (OIL/BYPASS/FUEL)	AR
PG 32	0C87500356	OIL FILTER	1
PG 32	0C87500355	BYPASS OIL FILTER	1
PG 40	0C87500474	FUEL FILTER	1
NOT SHOWN	0C8750A0PM	SCHEDULED MAINTENANCE KIT (OIL/BYPASS/FUEL/AIR)	AR
NOT SHOWN	0A4253	AIR CLEANER	1
PG 54	0C87500593	THERMOSTAT KIT	1
PG 52	0C87500591	PIN KIT, PISTON (FOR ONE CYLINDER)	1
PG 53	0C87500592	REPAIR KIT, COOLANT PUMP	1
NOT SHOWN	0C87500585	ADAPTER, FLUID CLUTCH HOUSING	1
PG 50	0C87500588	GASKET KIT, ENGINE OVERHAUL	AR

ENGINE SERVICE RECOMMENDATIONS

500 KW TO 2000 KW STANDBY DIESEL ENGINE DRIVEN GENERATOR SETS

Following is a recommended maintenance schedule for Generac standby diesel engine driven generator sets from 500 kW to 2000 kW in size. The established intervals in the schedule are the *maximum* recommended when the unit is used in an average service application. They will need to be decreased (performed more frequently) if the unit is used in a severe application. Use the unit hour meter or calendar time, whichever occurs first, from the previous maintenance interval to determine the next required maintenance interval.

Service Maintenance Interval Information:

The various service maintenance intervals are designated by interval numbers as follows:

- 1 An early inspection of the generator set to insure it is ready to operate when required and to identify any potential problem areas.

*Performed monthly or following each 10 hours of operation of the unit and requires approximately **.5 man-hours** per unit to complete.*

This inspection may be performed by the end user providing the following safety steps are taken to prevent the engine from starting automatically without warning:

To prevent injury, perform the following steps in the order indicated before starting any maintenance:

- **Disable the generator set from starting and/or connecting to the load by setting the control panel Auto-Off-Manual switch to the "OFF" position.**
- **Remove the control panel fuse.**
- **Turn off the battery charger.**
- **Remove the negative battery cable.**

The battery charger must be turned off BEFORE removing the battery cable to prevent an over current condition from burning out sensitive control panel components and circuits.

Following all maintenance, reverse these steps to insure the unit is returned to standby setup for normal operation when required.

- 2 A break-in service inspection of the generator set to insure it is ready to operate and carry the load when required, and to identify any potential problem areas.

*Performed **ONLY ONCE** following the first six months or the first 50 hours of operation after purchase of the unit and requires approximately **3.0 man-hours** per unit to complete.*

This inspection contains some maintenance tasks which require special tools, equipment, and/or knowledge to accomplish and should be performed only by an authorized Generac Service Dealer.

- 3 An operational inspection of the generator set to insure it is ready to operate and carry the load when required, and to identify any potential problem areas.

*Performed semi-annually or following each 50 hours of operation of the unit and requires approximately **1.5 man-hours** per unit to complete.*

This inspection contains some maintenance tasks which require special tools, equipment, and/or knowledge to accomplish and should be performed only by an authorized Generac Service Dealer.

- 4 A mid-level inspection of the generator set to insure it is ready to operate and carry the load when required, and to identify any potential problem areas.

*Performed annually or following each 100 hours of operation of the unit and requires approximately **4.0 man-hours** per unit to complete.*

This inspection contains some maintenance tasks which require special tools, equipment, and/or knowledge to accomplish and should be performed only by an authorized Generac Service Dealer.

- 5 A comprehensive inspection of the generator set to insure it is properly serviced and ready to operate and carry the load when required, and to identify any potential problem areas.

*Performed biannually or following each 250 hours of operation of the unit and requires approximately **8.0 man-hours** per unit to complete.*

This inspection contains some maintenance tasks which require special tools, equipment, and/or knowledge to accomplish and should be performed only by an authorized Generac Service Dealer.

NOTE: Add 20% to all times for 12 cylinder or larger engines.

ENGINE SERVICE RECOMMENDATIONS

GENERAC POWER SYSTEMS, INC.

RECOMMENDED SCHEDULED MAINTENANCE PROGRAM

SERVICE WORK TO BE PERFORMED BY FACTORY-TRAINED PERSONNEL ONLY.

DEALER INFORMATION

NAME: _____
ACCOUNT #: _____
ADDRESS: _____
PHONE: _____
TECHNICIAN: _____
SIGNATURE: _____

OWNER INFORMATION

NAME: _____
ADDRESS: _____
SITE: _____
PHONE: _____
SIGNATURE: _____

PURCHASE DATE: _____ START-UP DATE: _____

APPLICATION: ___ Standby Power ___ Prime Power ___ Rental/Trailerized

GENERATOR & TRANSFER SWITCH INFORMATION

GENERATOR

MODEL NUMBER: _____
SERIAL NUMBER: _____

TRANSFER SWITCH

MODEL NUMBER: _____
SERIAL NUMBER: _____

HOOR METER READING *at Completion of the Inspection*: _____

WARNING!

To prevent injury, perform the following steps in the order indicated before starting any maintenance:

- Disable the generator set from starting and/or connecting to the load by setting the control panel Auto-Off-Manual switch to the "OFF" position.
- Remove the control panel fuse.
- Turn off the battery charger.
- Remove the negative battery cable.

NOTE:














The battery charger must be turned off BEFORE removing the battery cable to prevent an over current condition from burning out sensitive control panel components and circuits.

Following all maintenance, reverse these steps to insure the unit is returned to standby setup for normal operation when required.


















ENGINE SERVICE RECOMMENDATIONS

Maintenance Tasks	Level 1	Level 2		Level 3		Level 4		Level 5		
	Recom- mended to be done monthly/ 10 hrs.	Task Comp. (Date- Initials)	Required to be done 6 months/ Break-in 50 hrs.	Task Comp. (Date- Initials)	Required to be done Semi- annually/ 50 hrs.	Task Comp. (Date- Initials)	Required to be done Annually/ 100 hrs.	Task Comp. (Date- Initials)	Required to be done Bi- annually/ 250 hrs.	Task Comp. (Date- Initials)
1. Disable the unit from operating per the first page warning.	<input type="checkbox"/>		<input type="checkbox"/>		<input type="checkbox"/>		<input type="checkbox"/>		<input type="checkbox"/>	
2. Check the engine oil level. Adjust as necessary.	<input type="checkbox"/>		<input type="checkbox"/>		<input type="checkbox"/>		<input type="checkbox"/>		<input type="checkbox"/>	
3. Check the engine coolant level. Adjust as necessary.	<input type="checkbox"/>		<input type="checkbox"/>		<input type="checkbox"/>		<input type="checkbox"/>		<input type="checkbox"/>	
4. Check the engine coolant thermal protection level. Correct as necessary.							<input type="checkbox"/>		<input type="checkbox"/>	
5. Check the diesel fuel supply level. Fill as necessary.	<input type="checkbox"/>		<input type="checkbox"/>		<input type="checkbox"/>		<input type="checkbox"/>		<input type="checkbox"/>	
6. Drain water and sediment from the diesel fuel tank.			<input type="checkbox"/>		<input type="checkbox"/>		<input type="checkbox"/>		<input type="checkbox"/>	
7. Drain water from the fuel line water separator if the unit is equipped with one.			<input type="checkbox"/>		<input type="checkbox"/>		<input type="checkbox"/>		<input type="checkbox"/>	
8. Check the air inlets and outlets for debris. Clean as necessary.	<input type="checkbox"/>		<input type="checkbox"/>		<input type="checkbox"/>		<input type="checkbox"/>		<input type="checkbox"/>	
9. Check the battery electrolyte level if accessible. Adjust as necessary.	<input type="checkbox"/>		<input type="checkbox"/>		<input type="checkbox"/>		<input type="checkbox"/>		<input type="checkbox"/>	
10. Check the battery posts, cables, and charger for loose connections, corrosion, and proper operation. Correct as necessary.	<input type="checkbox"/>		<input type="checkbox"/>		<input type="checkbox"/>		<input type="checkbox"/>		<input type="checkbox"/>	
11. Check the unit wiring for loose connections, corrosion, and damage. Correct as necessary.							<input type="checkbox"/>		<input type="checkbox"/>	

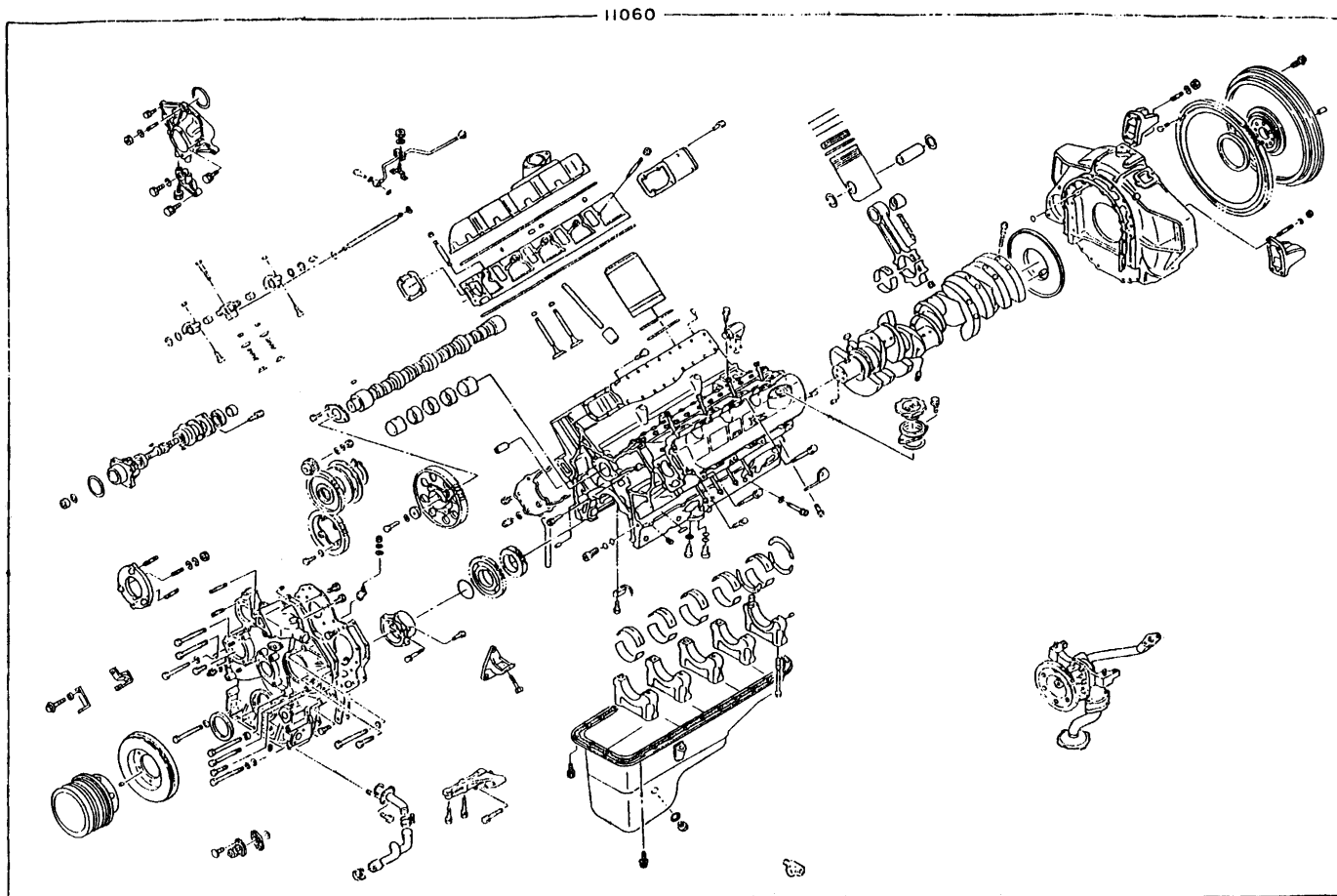
ENGINE SERVICE RECOMMENDATIONS

Maintenance Tasks	Level 1 Recommended to be done monthly/ 10 hrs.	Task Comp. (Date-Initials)	Level 2 Required to be done 6 months/ Break-in 50 hrs.	Task Comp. (Date-Initials)	Level 3 Required to be done Semi-annually/ 50 hrs.	Task Comp. (Date-Initials)	Level 4 Required to be done Annually/ 100 hrs.	Task Comp. (Date-Initials)	Level 5 Required to be done Bi-annually/ 250 hrs.	Task Comp. (Date-Initials)
12. Check the engine accessory drive belts for wear, weather cracking, and damage. Replace as necessary.										
13. Check the engine valve clearance. Adjust as necessary.										
14. Visually inspect the unit looking for leaks, wear or damage, loose connections or components, and corrosion. Correct as necessary.										
15. Test the engine and transfer switch safety devices. Correct and/or adjust as necessary.										
16. Initiate an automatic start and transfer of the unit to site load and exercise it for at least 1 hour looking for leaks, loose connections or components, and abnormal operating conditions. Correct as necessary.										

ENGINE SERVICE RECOMMENDATIONS

Maintenance Tasks	Level 1	Level 2		Level 3		Level 4		Level 5		
	Recom- mended to be done monthly/ 10 hrs.	Task Comp. (Date- Initials)	Required to be done 6 months/ Break-in 50 hrs.	Task Comp. (Date- Initials)	Required to be done Semi- annually/ 50 hrs.	Task Comp. (Date- Initials)	Required to be done Annually/ 100 hrs.	Task Comp. (Date- Initials)	Required to be done Bi- annually/ 250 hrs.	Task Comp. (Date- Initials)
17. Start and exercise the unit at full rated load (use a load bank if the site load is not enough) for at least 2 hours looking for leaks, loose connections or components, and abnormal operating conditions. Correct as necessary.										
18. Perform an engine oil analysis (send a sample to a lab for results). Change the engine oil and filters if the analysis results indicate this is required.										
19. Change the engine oil.										
20. Replace the engine oil filter(s).										
21. Replace engine fuel filter(s) and re-prime the fuel system.										
22. Replace the engine air filter(s).										
23. Perform a 5 minute no-load operational run of the unit looking for any post service problems.										
24. Return the unit to standby setup for operation when required.										

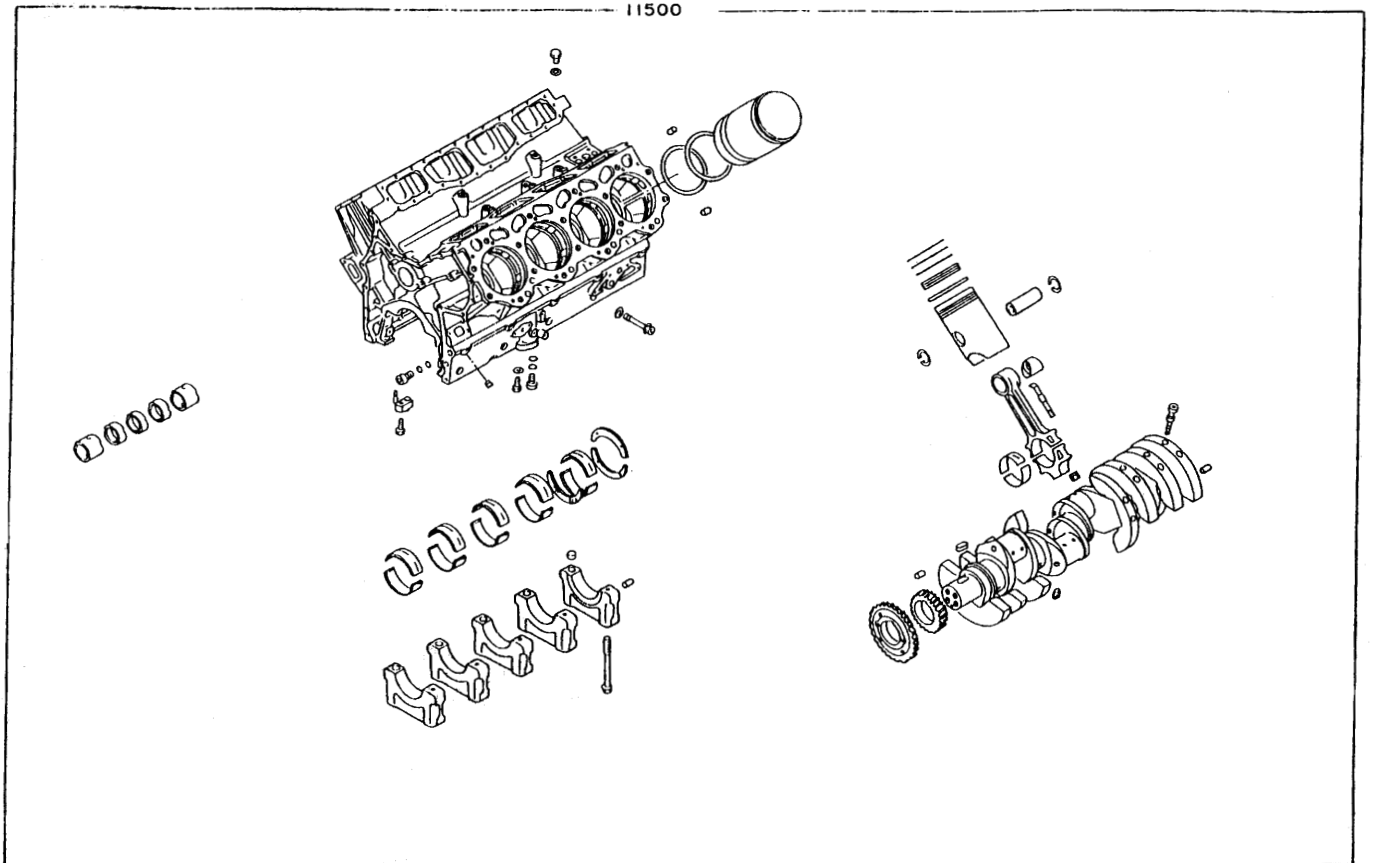
17.0L DIESEL — PARTIAL ENGINE



ITEM	PART NUMBER	DESCRIPTION	QTY
------	-------------	-------------	-----

11060	OC87500100	ENGINE ASSEMBLY, PARTIAL	1
-------	------------	--------------------------	---

NOTE: Parts that appear in the exploded view with a hyphenated 9 digit call out can be found using the "Index to Hardware" on pages 58-60 at the back of this manual. (example 9504-08180)

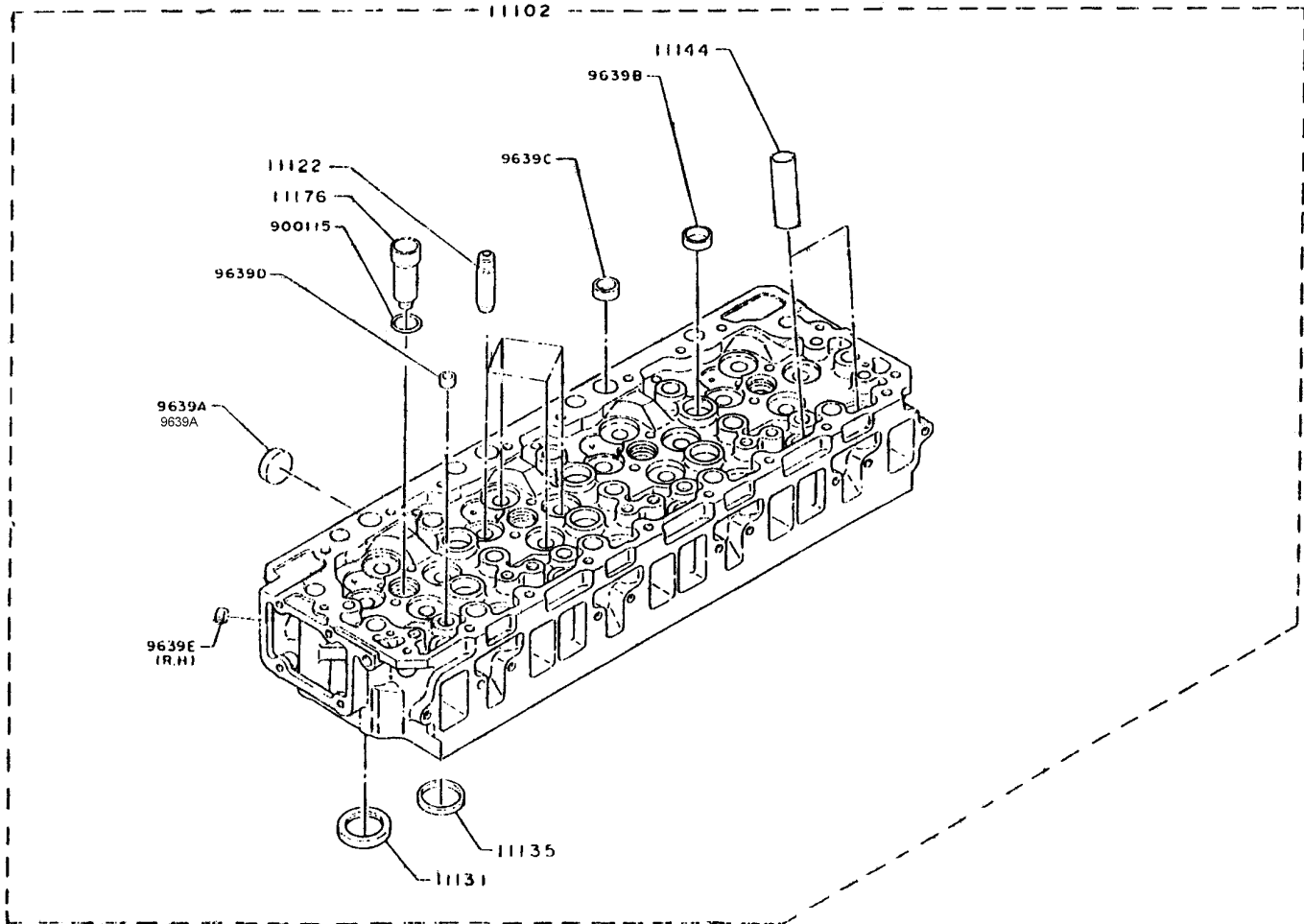


ITEM	PART NUMBER	DESCRIPTION	QTY
------	-------------	-------------	-----

11500	0C87500101	BLOCK ASSEMBLY, SHORT	1
-------	------------	-----------------------	---

NOTE: Parts that appear in the exploded view with a hyphenated 9 digit call out can be found using the "Index to Hardware" on pages 58-60 at the back of this manual. (example 9504-08180)

17.0L DIESEL — CYLINDER HEAD

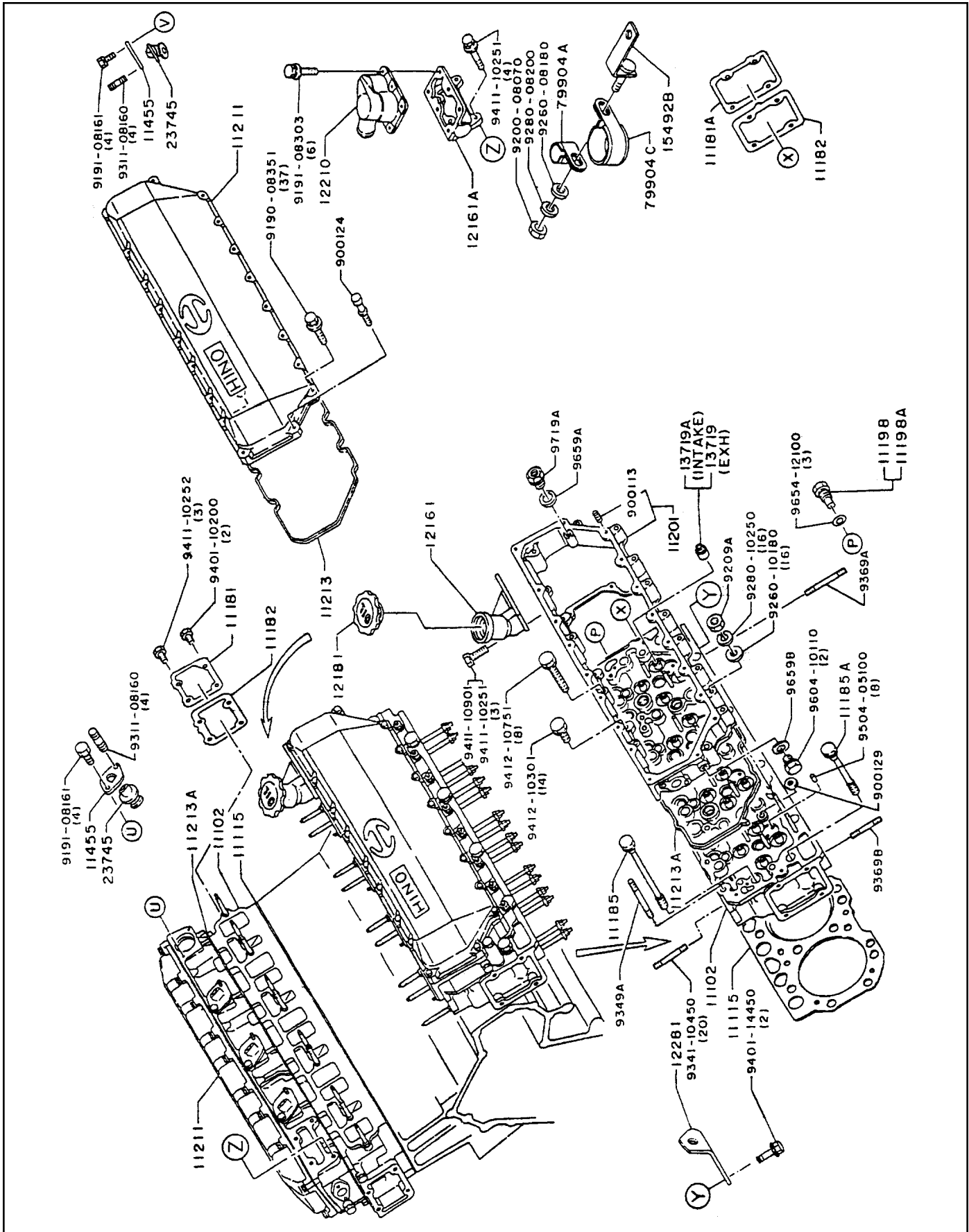


17.0L DIESEL — CYLINDER HEAD

ITEM	PART NUMBER	DESCRIPTION	QTY
11102	0C87500102	HEAD SUB ASSEMBLY, CYLINDER	2
11122	0554950102	BUSHING, VALVE GUIDE, INTAKE, STD	32
11131	0C87500104	SEAT, VALVE INTAKE	16
11135	0C87500105	SEAT, VALVE EXHAUST	16
11144	0C87500106	PIPE, PUSH ROD GUIDE	16
11176	0C87500107	SEAT, INJECTION NOZZLE	8
900115	0C87500129	GASKET	8
9639A	0642380148	PLUG, EXPANSION	6
9639B	0554950197	PLUG, EXPANSION	12
9639C	0642380149	PLUG, EXPANSION	6
9639D	0642380150	PLUG, EXPANSION	17
9639E	0642380151	PLUG, EXPANSION	13

NOTE: Parts that appear in the exploded view with a hyphenated 9 digit call out can be found using the "Index to Hardware" on pages 58-60 at the back of this manual. (example 9504-08180)

17.0L DIESEL — CYLINDER HEAD

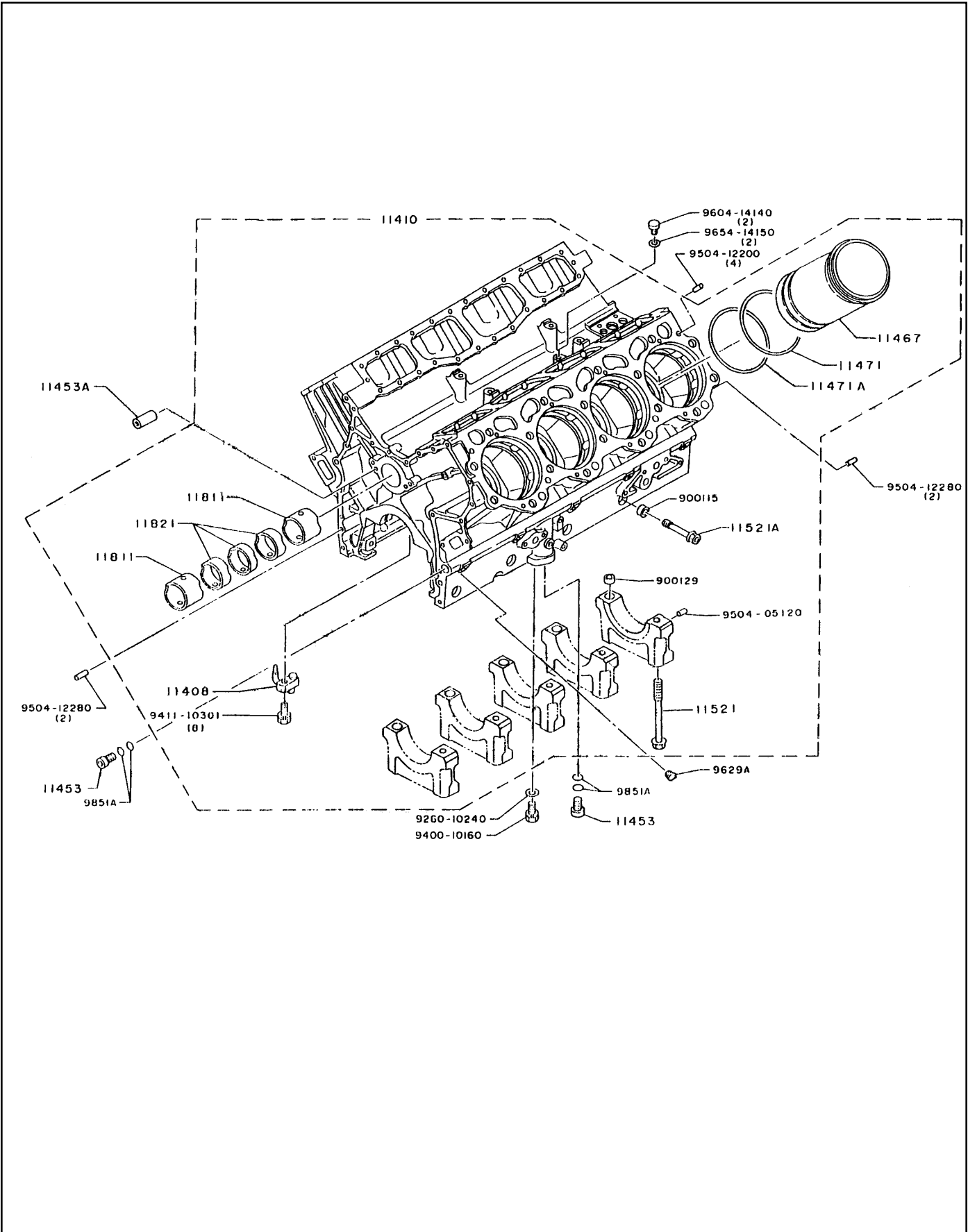


17.0L DIESEL — CYLINDER HEAD

ITEM	PART NUMBER	DESCRIPTION	QTY
11102	0C87500102	HEAD SUB ASSEMBLY, CYLINDER	2
11115	0C87500103	GASKET, CYLINDER HEAD	2
11181	0C87500108	PLATE, CYLINDER HEAD (RIGHT)	1
11181A	0C87500109	PLATE, CYLINDER HEAD (LEFT)	1
11182	0C87500110	GASKET, CYLINDER HEAD PLATE	3
11185	0C87500111	BOLT, CYLINDER HEAD	10
11185A	0C87500112	BOLT, CYLINDER HEAD	26
11198	0C87500113	PLUG, CYLINDER HEAD	1
11198A	0C87500114	PLUG, CYLINDER HEAD	3
11201	0C87500115	COVER SUB ASSEMBLY, CYLINDER HEAD	2
11211	0C87500116	COVER, CYLINDER HEAD	2
11213	0C87500117	GASKET, CYLINDER HEAD COVER	2
11213A	0C87500118	GASKET, CYLINDER HEAD COVER	2
11455	0C87500119	PLATE	8
12161	0C87500120	PIPE, OIL FILLER	1
12161A	0C87500121	PIPE, OIL FILLER	1
12181	0590890121	CAP, OIL FILLER	1
12210	0C87500122	VENTILATOR ASSEMBLY	1
12281	0C87500123	HANGER, ENGINE	2
13719	0554950579	SEAL, VALVE STEM OIL	16
13719A	0C87500124	SEAL, VALVE STEM OIL	16
15492B	0C87500125	HOLDER, CLIP	1
23745	0C87500126	SEAL, INJECTION PIPE OIL	8
79904A	0C87500127	CLIP SUB ASSEMBLY	1
79904C	0C87500128	CLIP SUB ASSEMBLY	1
900113	0554950214	HELISERT	38
900124	0C87500130	BOLT	1
900129	0C87500131	COLLAR	6
9209A	0C87500132	NUT	16
9349A	0C87500133	STUD	8
9369A	0C87500134	STUD	29
9369B	0C87500135	STUD	3
9659A	0590890546	WASHER, SOFT	2
9659B	0642380315	WASHER, SOFT	2
9719A	0C87500136	UNION	2

NOTE: Parts that appear in the exploded view with a hyphenated 9 digit call out can be found using the "Index to Hardware" on pages 58-60 at the back of this manual. (example 9504-08180)

17.0L DIESEL — CYLINDER BLOCK

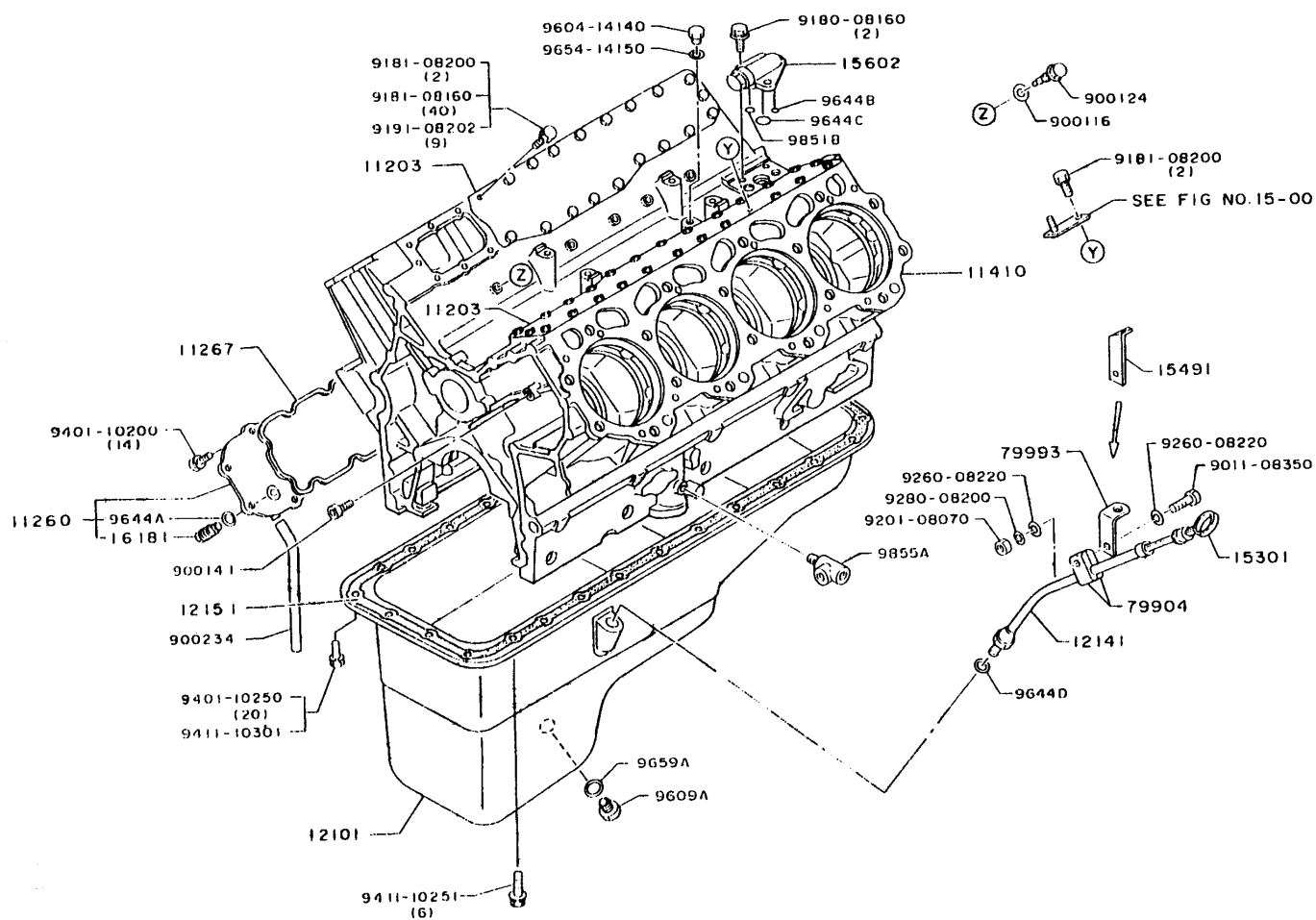


17.0L DIESEL — CYLINDER BLOCK

ITEM	PART NUMBER	DESCRIPTION	QTY
11408	0C87500140	PIPE SUB ASSY, OIL JET	8
11410	0C87500141	BLOCK ASSY, CYL	1
11453	0C87500142	PLUG MAIN HOLE	3
11453A	0C87500143	PLUG MAIN HOLE	3
11467	0C87500144	LINER, CYL, STD	8
11471	0C87500145	GASKET, CYL LINER	8
11471A	0C87500146	GASKET, CYL LINER	8
11521	0C87500147	BOLT, BEARING CAP	10
11521A	0C87500148	BOLT, BEARING CAP	10
11811	0C87500149	BEARING, CAMSHAFT, NO 1	2
11821	0C87500150	BEARING, CAMSHAFT NO 2	3
900115	0C87500159	GASKET	10
900129	0C87500162	COLLAR	5
9629A	0C87500166	PLUG	5
9851A	0C87500168	O-RING	6

NOTE: Parts that appear in the exploded view with a hyphenated 9 digit call out can be found using the "Index to Hardware" on pages 58-60 at the back of this manual. (example 9504-08180)

17.0L DIESEL — CYLINDER BLOCK



17.0L DIESEL — CYLINDER BLOCK

ITEM	PART NUMBER	DESCRIPTION	QTY
11203	0C87500137	COVER SUB ASSY, VALVE PUSH ROD	2
11260	0C87500138	COVER ASSY, WATER GALLERY	1
11267	0C87500139	GASKET, WATER GALLERY COVER	1
11410	0C87500141	BLOCK ASSY, CYL	1
12101	0C87500151	PAN SUB ASSY, OIL	1
12141	0C87500152	GUIDE, OIL LEVEL GAUGE	1
12151	0C87500153	GASKET, OIL PAN	1
15301	0C87500154	GAUGE SUB ASSY, OIL LEVEL	1
15491	0C87500155	BRACKET, PIPE	1
15602	0C87500156	VALVE SUB ASSY, OIL PRESS	1
16181	0642380409	VALVE, COOLANT COCK	1
79904	0C87500157	CLIP SUB ASSY	2
79993	0C87500158	HOLDER, CLIP	1
900116	0C87500160	SPACER	16
900124	0C87500161	BOLT	16
900141	0C87500163	NOZZLE, OIL	1
900234	0C87500164	HOSE, WATER	1
9609A	0C87500165	PLUG	1
9644A	055495A676	O-RING	1
9644B	0C87500167	O-RING	1
9644C	0856770111	O-RING	1
9644D	0768150128	O-RING	1
9659A	0847610132	WASHER, SOFT	1
9851B	0C87500169	O-RING	1
9855A	0C87500170	JOINT, PIPE	1

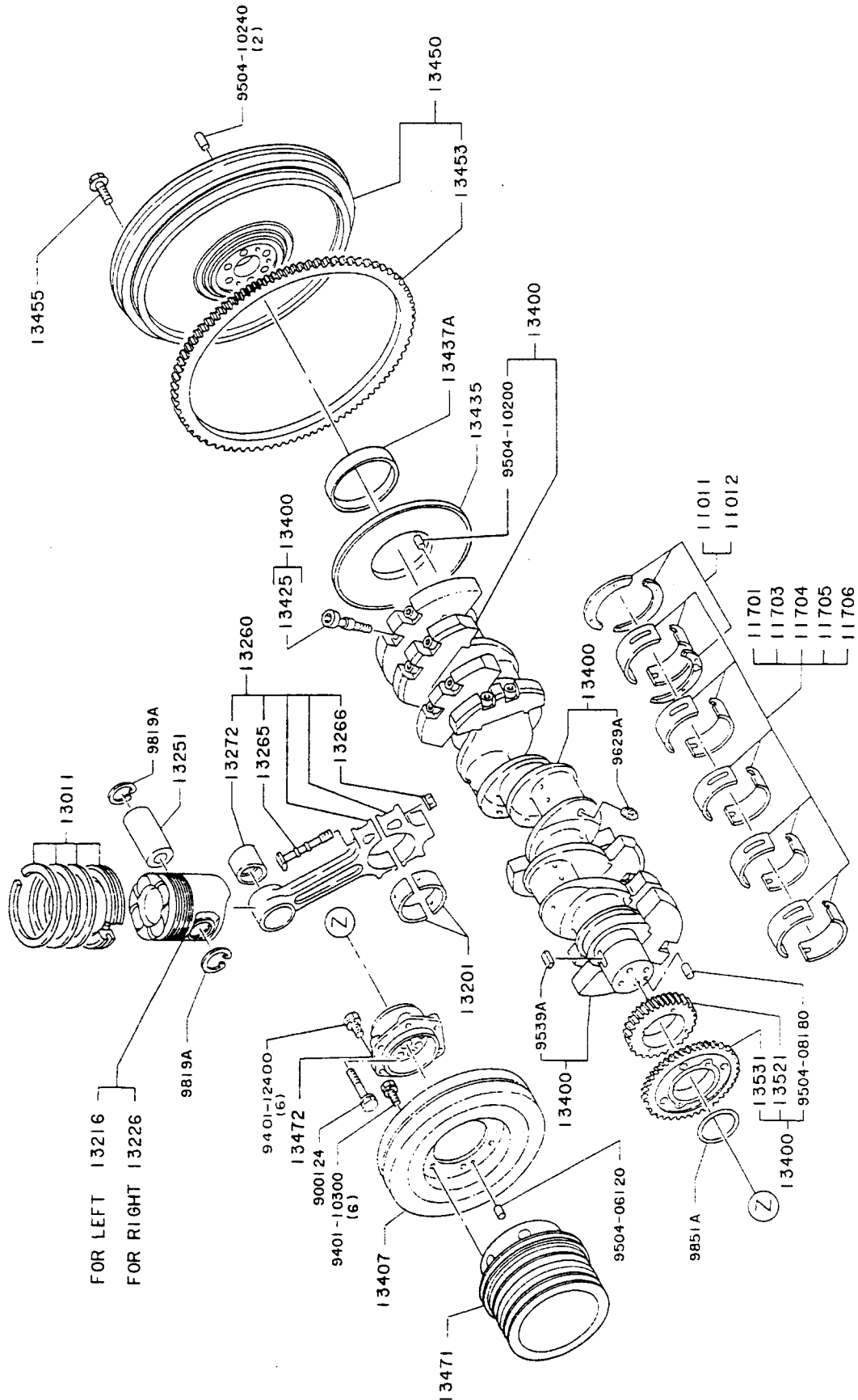
NOTE: Parts that appear in the exploded view with a hyphenated 9 digit call out can be found using the "Index to Hardware" on pages 58-60 at the back of this manual. (example 9504-08180)

17.0L DIESEL — TIMING GEAR COVER AND FLYWHEEL HOUSING

ITEM	PART NUMBER	DESCRIPTION	QTY
11081	0C87500182	POINTER SUB ASSY, TIMING	1
11302	0C87500183	COVER SUB ASSY, T/G CASE	1
11308	0C87500184	HOUSING SUB ASSY, FLYWHEEL	1
11311	0C87500185	PLATE, FR END	1
11311A	0C87500186	PLATE, FR END	1
11312	0C87500187	GASKET, FR END PLATE	1
11329	0C87500188	GASKET, T/G CASE COVER	1
11353	0C87500189	GASKET, F/H	1
11356	0C87500190	STAY, F/H	1
11356A	0C87500191	STAY, F/H	1
12311	0C87500192	BRACKET, ENG MTG, FR, RH	1
12315	0C87500193	BRACKET, ENG MTG, FR, LH	1
16399	0C87500194	PLATE, HOLDER SET	1
16399A	0C87500195	PLATE, HOLDER SET	1
79993	0C87500196	HOLDER, CLIP	1
900113	0590890359	HELISERT	21
900113A	0C87500197	HELISERT	4
900113B	0554950215	HELISERT	10
900113C	0C87500198	HELISERT	1
900113D	0C87500199	HELISERT	14
900113E	0554950214	HELISERT	2
900116	0C87500200	SPACER	1
900124	0C87500201	BOLT	2
900211	0590890223	FLANGE	1
9029A	0C87500202	BOLT	1
9029B	0C87500203	BOLT	1
9359A	0C87500204	STUD	1
9419A	0C87500205	BOLT	16
9419B	0C87500206	BOLT	4
9419C	0C87500207	BOLT	2
9419D	0C87500208	BOLT	1
9419E	0C87500209	BOLT	1
9419F	0C87500210	BOLT	3
9419G	0C87500211	BOLT	1
9609A	0768150120	PLUG	3
9644A	055495A676	O-RING	4
9644B	0847610142	O-RING	1
9645A	0C87500212	O-RING	1
9828A	0C87500213	SEAL, OIL	1
9828B	0C87500214	SEAL, OIL	1
9851A	0C87500215	O-RING	3

NOTE: Parts that appear in the exploded view with a hyphenated 9 digit call out can be found using the "Index to Hardware" on pages 58-60 at the back of this manual. (example 9504-08180)

17.0L DIESEL — MAIN MOVING PARTS

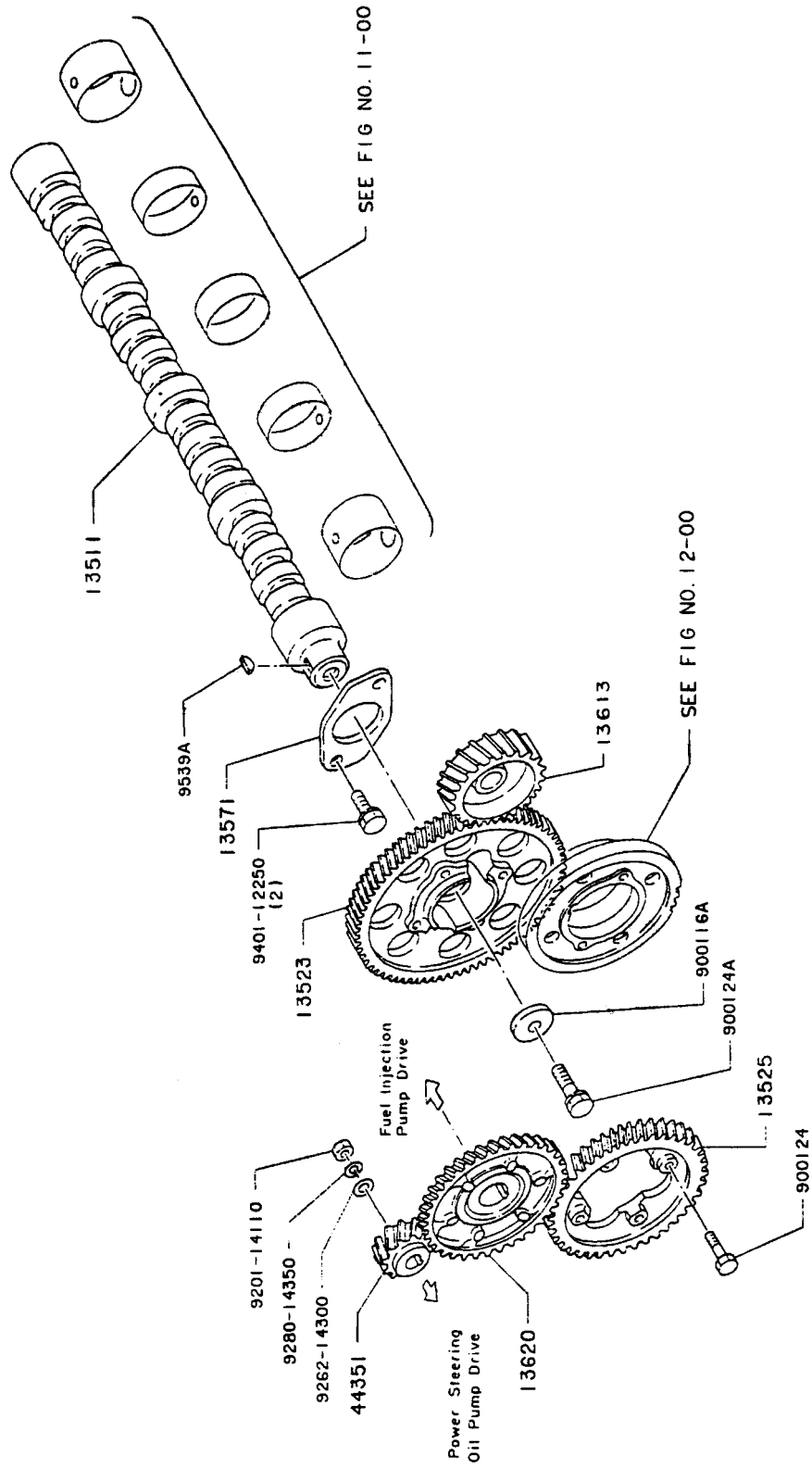


17.0L DIESEL — MAIN MOVING PARTS

ITEM	PART NUMBER	DESCRIPTION	QTY
11011	0C87500228	WASHER SET, CRANKSHAFT THRUST, STD	1
11012	0C87500229	WASHER SET, CRANKSHAFT THRUST, O.S. 0.25	1
11701	0C87500230	BEARING SET, CRANKSHAFT	1
11703	0C87500231	BEARING SET, CRANKSHAFT, U.S. 0.25	1
11704	0C87500232	BEARING SET, CRANKSHAFT, U.S. 0.50	1
11705	0C87500233	BEARING SET, CRANKSHAFT, U.S. 0.75	1
11706	0C87500234	BEARING SET, CRANKSHAFT, U.S. 1.00	1
13011	0C87500235	RING SET, PISTON, STD	1
13201	0C87500236	BEARING SET, CONROD, STD	1
13216	0C87500237	PISTON, STD (LEFT)	4
13226	0C87500238	PISTON, STD (RIGHT)	4
13251	0C87500239	PIN, PISTON, STD	8
13260	0C87500240	ROD ASSY, CONNECTING	8
13265	0847610147	BOLT, CONROD	16
13266	0768150179	NUT, CONROD	16
13272	0C87500241	BUSHING, CONROD, REPAIR STD	8
13400	0C87500242	CRANKSHAFT ASSY	1
13407	0C87500243	DAMPER SUB ASSY, CRANKSHAFT	1
13425	0C87500244	BOLT, BALANCE WEIGHT SET	16
13435	0C87500245	SLINGER, CRANKSHAFT OIL	1
13437A	0C87500246	SLEEVE	1
13450	0C87500247	FLYWHEEL ASSY	1
13453	0590890291	GEAR, FLYWHEEL RING	1
13455	0C87500248	BOLT, FLYWHEEL	6
13471	0C87500249	PULLEY, CRANKSHAFT	1
13472	0C87500250	CENTER, CRANKSHAFT PULLEY	1
13521	0C87500251	GEAR, CRANKSHAFT	1
13531	0C87500252	GEAR, OIL PUMP DRIVE	1
900124	0C87500253	BOLT	4
9539A	0C87500254	KEY	1
9629A	0C87500255	PLUG	8
9819A	0768150142	RING, RETAINER	16
9851A	0856770129	O-RING	1

NOTE: Parts that appear in the exploded view with a hyphenated 9 digit call out can be found using the "Index to Hardware" on pages 58-60 at the back of this manual. (example 9504-08180)

17.0L DIESEL — CAMSHAFT AND IDLE GEAR

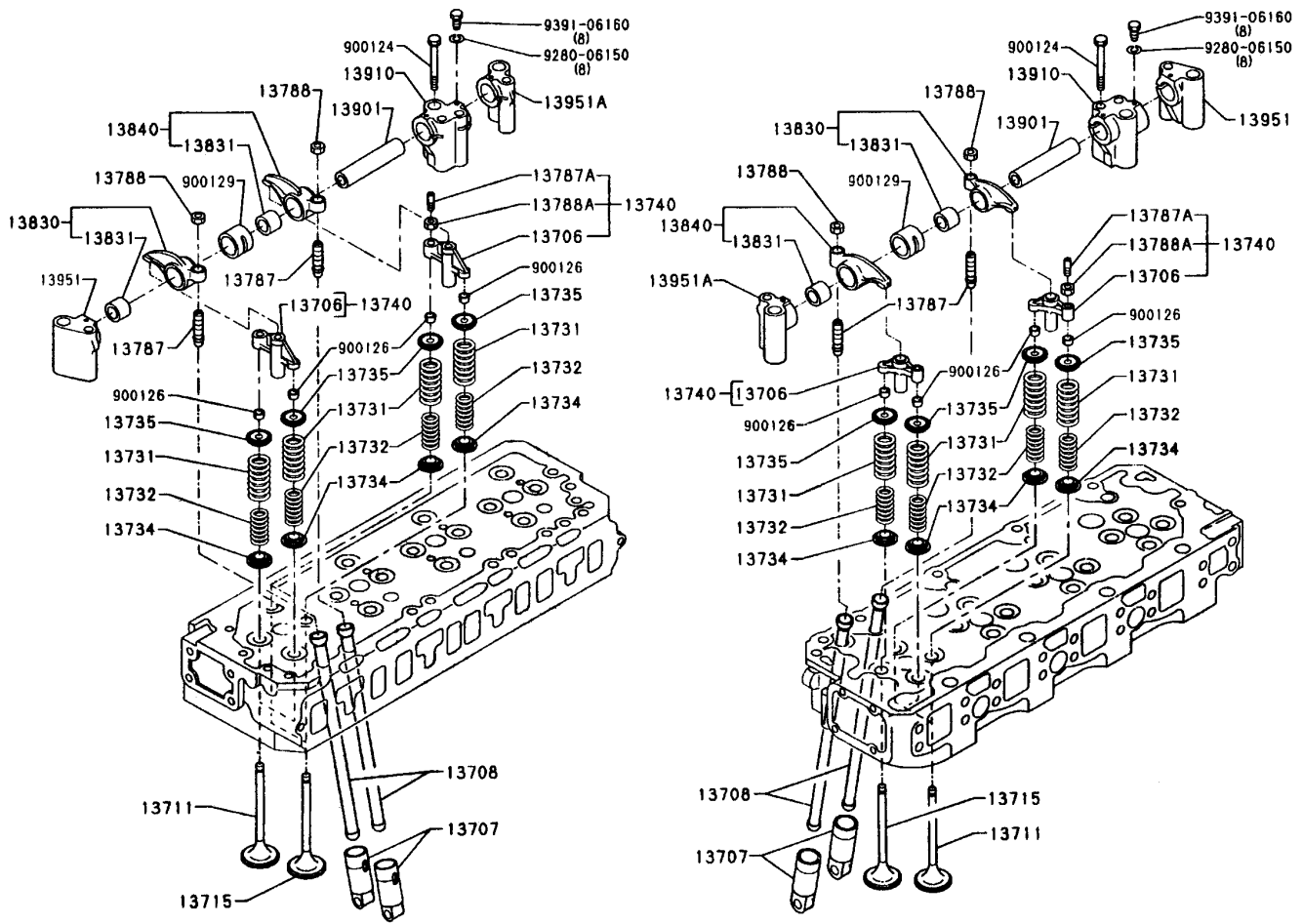


17.0L DIESEL — CAMSHAFT AND IDLE GEAR

ITEM	PART NUMBER	DESCRIPTION	QTY
13511	0C87500260	CAMSHAFT	1
13523	0C87500261	GEAR, CAMSHAFT	1
13525	0C87500262	GEAR, IDLE	1
13571	0C87500263	PLATE, CAMSHAFT THRUST	1
13613	0C87500264	GEAR, INJ PUMP DRIVE	1
13620	0C87500265	GEAR ASSY, INJ PUMP DRIVE	1
44351	0C87500266	GEAR, DRIVE	1
900116A	0C87500267	SPACER	1
900124	0C87500268	BOLT	4
900124A	0C87500269	BOLT	1
9539A	0C87500270	KEY	1

NOTE: Parts that appear in the exploded view with a hyphenated 9 digit call out can be found using the "Index to Hardware" on pages 58-60 at the back of this manual. (example 9504-08180)

17.0L DIESEL — VALVE SYSTEM

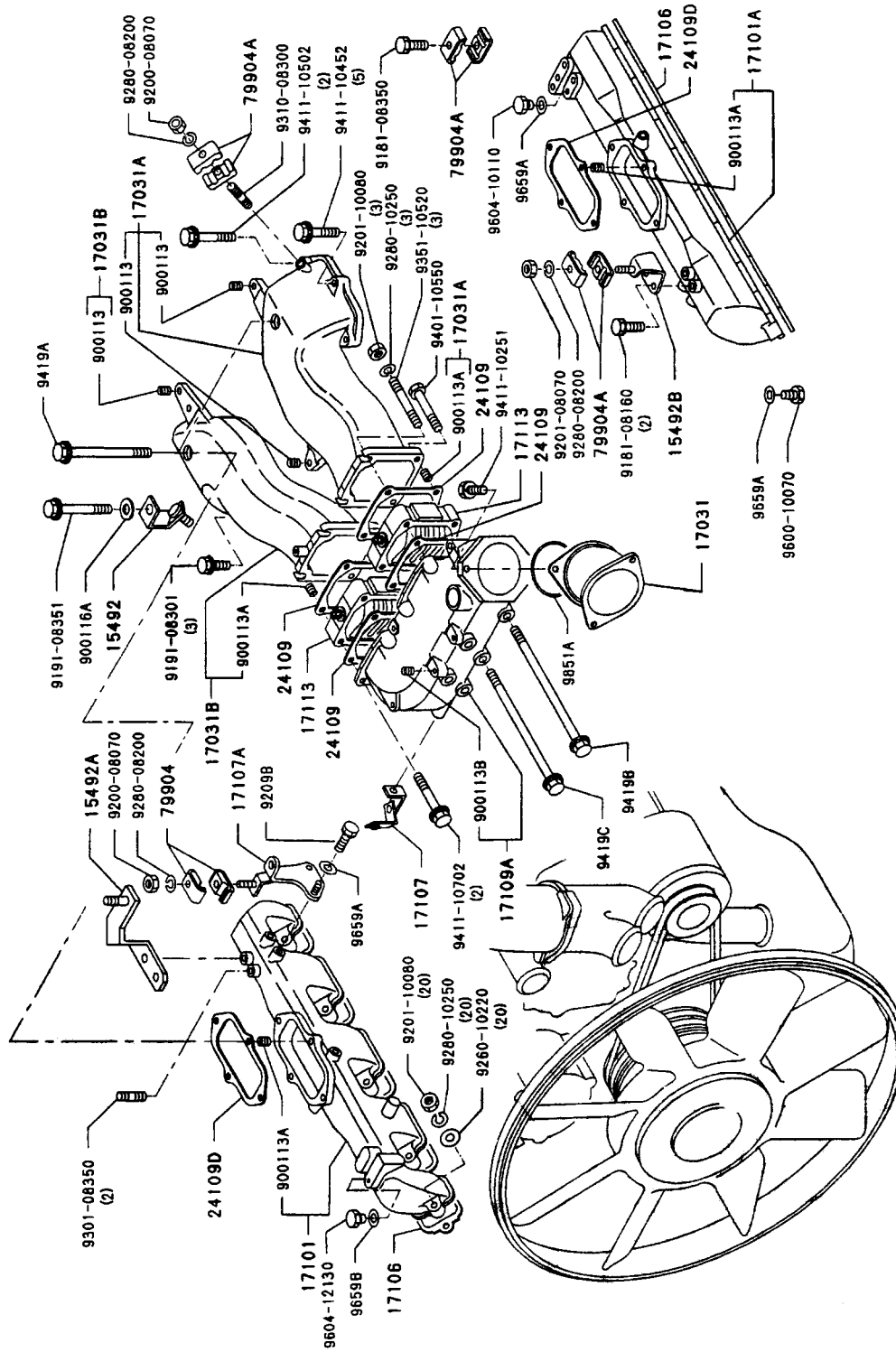


17.0L DIESEL — VALVE SYSTEM

ITEM	PART NUMBER	DESCRIPTION	QTY
13706	0C87500273	CROSSHEAD SUB ASSY	16
13707	0C87500274	LIFTER SUB ASSY, VALVE	16
13708	0C87500275	ROD SUB ASSY, VALVE PUSH	16
13711	0C87500276	VALVE, INTAKE, STD	16
13715	0C87500277	VALVE, EXH, STD	16
13731	0C87500278	SPRING, VALVE, OUTER	32
13732	0C87500279	SPRING, VALVE, INNER	32
13734	0C87500280	SEAT, VALVE SPRING, LOWER	32
13735	0C87500281	SEAT, VALVE SPRING, UPPER	32
13740	0C87500282	CROSSHEAD ASSY	16
13787	0C87500283	SCREW, VALVE ADJ	16
13787A	0C87500284	SCREW, VALVE ADJ	16
13788	0C87500285	NUT, VALVE ADJUST SCREW	16
13788A	0C87500286	NUT, VALVE ADJ SCREW	16
13830	0C87500287	ARM ASSY, VALVE ROCKER	8
13831	0C87500288	BUSHING, ROCKER ARM	16
13840	0C87500289	ARM ASSY, VALVE ROCKER EXH	8
13901	0C87500290	SHAFT SUB ASSY, VALVE ROCKER	8
13910	0C87500291	SUPPORT ASSY, VALVE ROCKER	6
13951	0C87500292	SUPPORT, VALVE ROCKER	2
13951A	0C87500293	SUPPORT, VALVE ROCKER	2
900124	0C87500294	BOLT	16
900126	0C87500295	LOCK, VALVE SPRING RETAINER	64
900129	0C87500296	COLLAR	8

NOTE: Parts that appear in the exploded view with a hyphenated 9 digit call out can be found using the "Index to Hardware" on pages 58-60 at the back of this manual. (example 9504-08180)

17.0L DIESEL — INTAKE AND EXHAUST SYSTEM

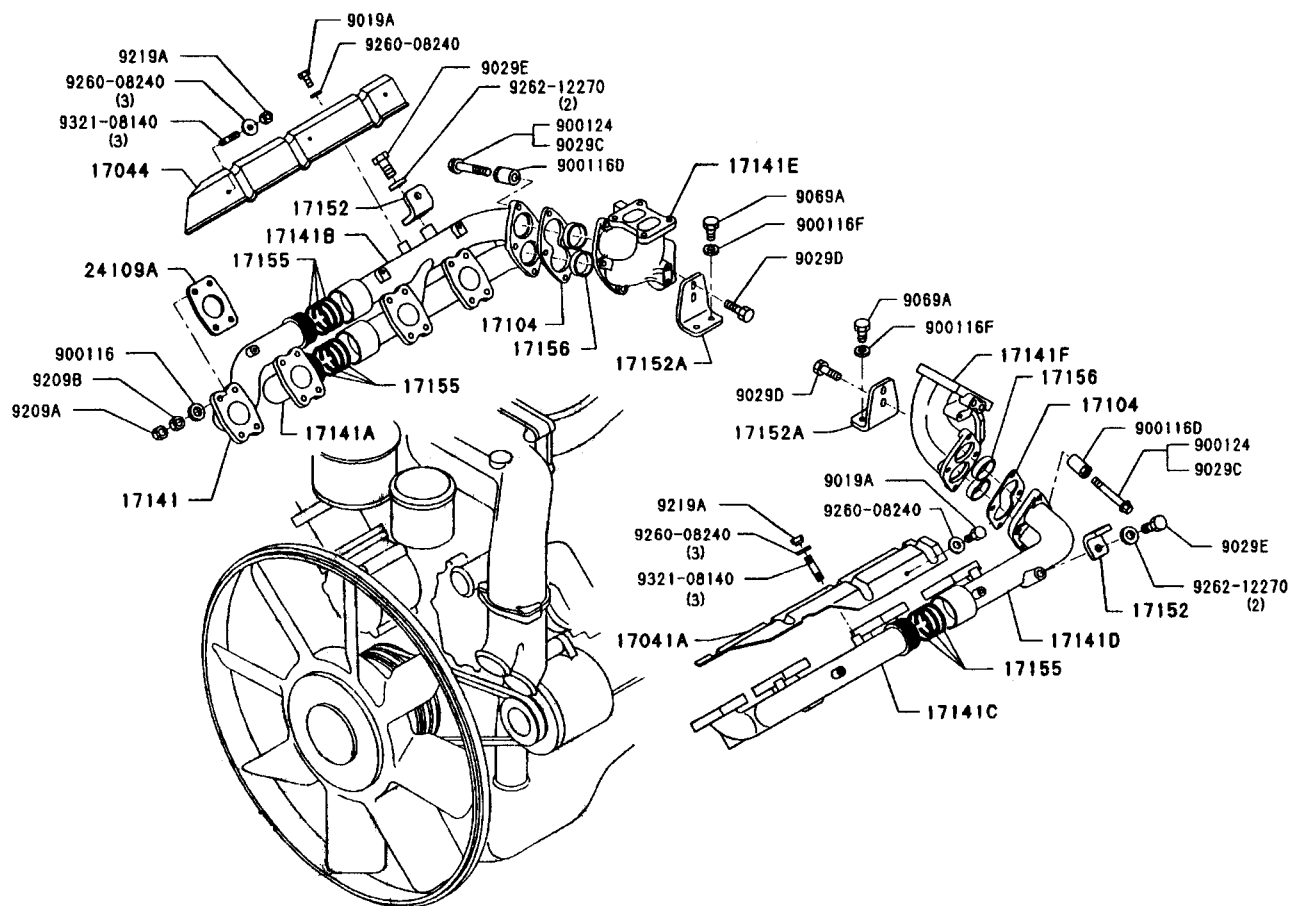


17.0L DIESEL — INTAKE AND EXHAUST SYSTEM

ITEM	PART NUMBER	DESCRIPTION	QTY
15492	0C87500298	HOLDER, CLIP	1
15492A	0C87500299	HOLDER, CLIP	1
15492B	0C87500300	HOLDER, CLIP	1
17031	0C87500301	PIPE SUB ASSY, INTAKE	1
17031A	0C87500302	PIPE SUB ASSY, INTAKE	1
17031B	0C87500303	PIPE SUB ASSY, INTAKE	1
17101	0C87500306	MANIFOLD SUB ASSY, INTAKE	1
17101A	0C87500307	MANIFOLD SUB ASSY, INTAKE	1
17106	0C87500309	GASKET SUB ASSY, INTAKE MANIFOLD	2
17107	0C87500310	BRACKET, SUB ASSY, INTAKE PIPE	1
17107A	0C87500311	BRACKET, SUB ASSY, INTAKE PIPE	1
17109A	0C87500312	TANK SUB ASSY, INTAKE AIR SURGE	1
17113	0C87500313	PIPE, INTAKE	2
24109	0C87500325	GASKET, SUB ASSY	4
24109D	0C87500327	GASKET, SUB ASSY	2
79904	0768150231	CLIP SUB ASSY	2
79904A	0554950491	CLIP SUB ASSY	6
900113	0554950214	HELISERT	3
900113A	0C87500328	HELISERT	13
900113B	0590890359	HELISERT	5
900116A	0C87500329	SPACER	1
9209B	0C87500338	NUT	32
9419A	0768150190	BOLT	2
9419B	0C87500208	BOLT	1
9419C	0C87500209	BOLT	2
9659A	0642380315	WASHER, SOFT	4
9659B	0C87500340	WASHER, SOFT	1
9851A	0C87500341	O-RING	1

NOTE: Parts that appear in the exploded view with a hyphenated 9 digit call out can be found using the "Index to Hardware" on pages 58-60 at the back of this manual. (example 9504-08180)

17.0L DIESEL — INTAKE AND EXHAUST SYSTEM

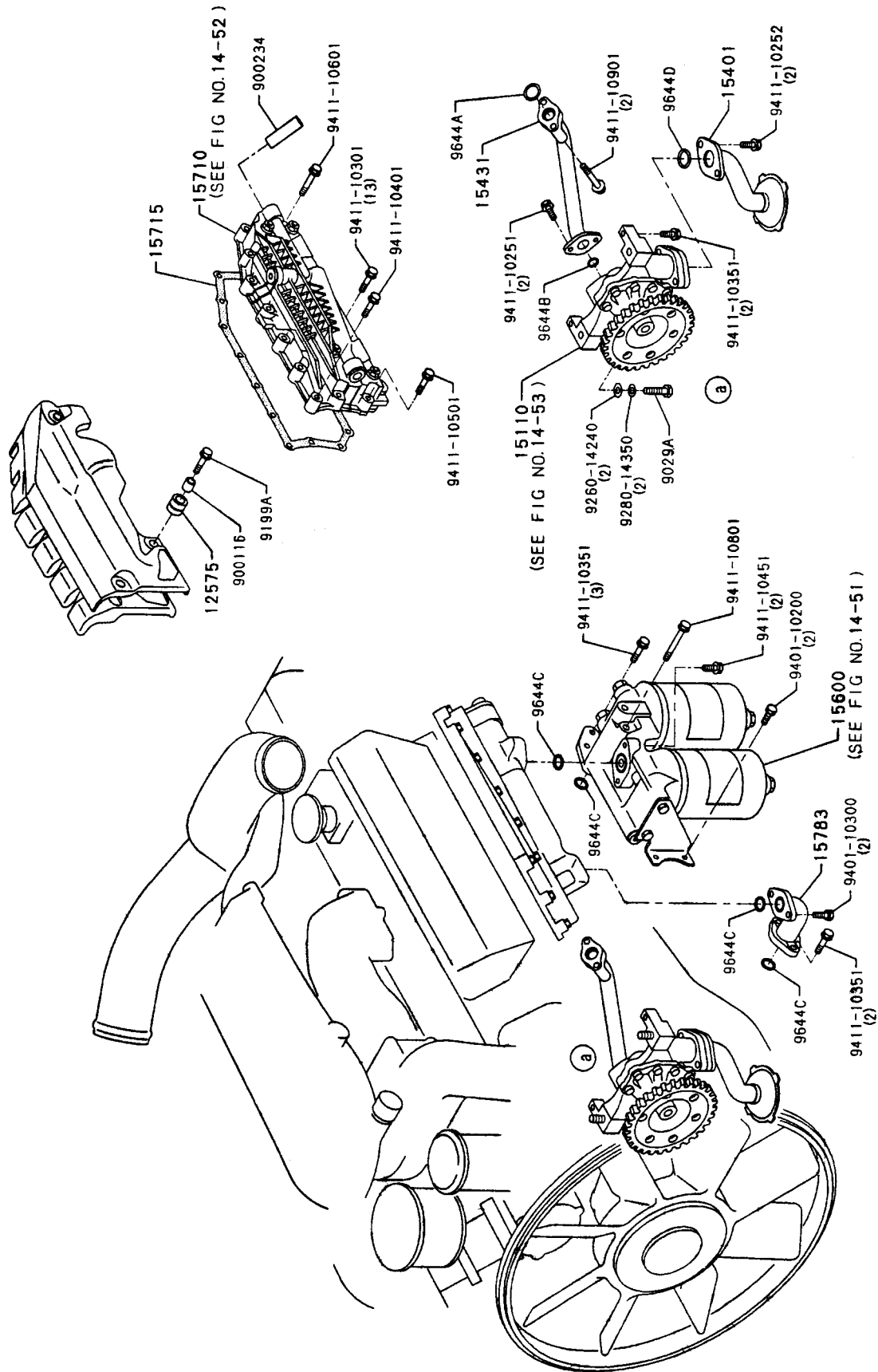


17.0L DIESEL — INTAKE AND EXHAUST SYSTEM

ITEM	PART NUMBER	DESCRIPTION	QTY
17041A	0C87500304	INSULATOR SUB ASSY, EXH	1
17044	0C87500305	INSULATOR SUB ASSY, EXH	1
17104	0C87500308	GASKET, SUB ASSY, EXH MANIFOLD	2
17141	0C87500314	MANIFOLD, EXH	1
17141A	0C87500315	MANIFOLD, EXH	1
17141B	0C87500316	MANIFOLD, EXH	1
17141C	0C87500317	MANIFOLD, EXH	1
17141D	0C87500318	MANIFOLD, EXH	1
17141E	0C87500319	MANIFOLD, EXH	1
17141F	0C87500320	MANIFOLD, EXH	1
17152	0C87500321	BRACKET, EXH MANIFOLD	2
17152A	0C87500322	BRACKET, EXH MANIFOLD	2
17155	0C87500323	SEAL, RING	9
17156	0C87500324	PIPE, EXH SEAL	4
24109A	0C87500326	GASKET, SUB ASSY	8
900116	0768150235	SPACER	32
900116D	0C87500330	SPACER	8
900116F	0C87500331	SPACER	4
900124	0C87500332	BOLT	8
9019A	0C87500333	BOLT	8
9029C	0554950618	BOLT	2
9029D	0C87500334	BOLT	4
9029E	0C87500335	BOLT	4
9069A	0C87500336	BOLT, FLANGE	4
9209A	0C87500337	NUT	32
9209B	0C87500338	NUT	32
9219A	0C87500339	NUT	6

NOTE: Parts that appear in the exploded view with a hyphenated 9 digit call out can be found using the "Index to Hardware" on pages 58-60 at the back of this manual. (example 9504-08180)

17.0L DIESEL — LUBRICATION



17.0L DIESEL — LUBRICATION

ITEM	PART NUMBER	DESCRIPTION	QTY
12575	0C87500596	SILENT, BLOCK	3
15110	0C87500385	PUMP ASSY, OIL L/STNR	1
15401	0C87500597	PIPE SUB ASSY, OIL PUMP, INLET	1
15431	0C87500598	PIPE, OIL FEED	1
15600	0C87500352	FILTER ASSY, OIL	1
15710	0C87500373	COOLER ASSY, OIL	1
15715	0C87500599	GASKET, OIL COOLER CASE	1
15783	0C87500600	JOINT, OIL PIPE	1
76581	0554950595	PLATE, CAUTION (NOT SHOWN)	2
900116	0C87500601	SPACER	3
900234	0C87500602	HOSE, WATER	1
9029A	0C87500603	BOLT	2
9199A	0C87500604	BOLT	3
9644A	0847610142	O-RING	1
9644B	0847610163	O-RING	1
9644C	0C87500605	O-RING	5
9644D	0847610164	O-RING	1

NOTE: Parts that appear in the exploded view with a hyphenated 9 digit call out can be found using the "Index to Hardware" on pages 58-60 at the back of this manual. (example 9504-08180)

17.0L DIESEL — OIL FILTER

ITEM	PART NUMBER	DESCRIPTION	QTY
15600	0C87500352	FILTER ASSY, OIL	*
15602	0C87500353	VALVE SUB ASSY, OIL PRESSURE	1
15605A	0C87500354	VALVE SUB ASSY, OIL CHECK	1
15607	0C87500355	ELEMENT SET, OIL FILTER	1
15607A	0C87500356	ELEMENT SET, OIL FILTER	1
15612	0C87500357	COVER, OIL FILTER ELEMENT	1
15614	0C87500358	COVER, OIL FILTER ELEMENT, LOWER	1
15614A	0C87500359	COVER, OIL FILTER ELEMENT, LOWER	1
15615	0590890385	SPRING, OIL FILTER ELEMENT SUPT	2
15620	0C87500360	CAP ASSY, OIL FILTER	1
15621	0C87500361	GASKET, OIL FILTER BODY	1
15629	0590890392	WASHER	1
15643	0554950512	PLUG, OIL FILTER DRAIN	2
15651A	0C87500362	BOLT	1
15651C	0C87500363	BOLT	1
15660	0C87500364	PLUG ASSY, OIL	1
15661	0C87500365	SPRING, OIL VALVE	1
15661A	0C87500366	SPRING, OIL VALVE	1
15714	0C87500367	VALVE, SAFETY	1
15716	0C87500368	PLUG, VALVE SPG	1
15716A	0C87500369	PLUG, VALVE SPG	2
9851A	0590890393	O-RING	1
9851B	0554950513	O-RING	1
9851C	0C87500370	O-RING	2
9851D	0768150194	O-RING	1
9851E	0C87500371	O-RING	1
9851F	0590890389	O-RING	1
9851G	0590890390	O-RING	1
9851H	0590890389	O-RING	1

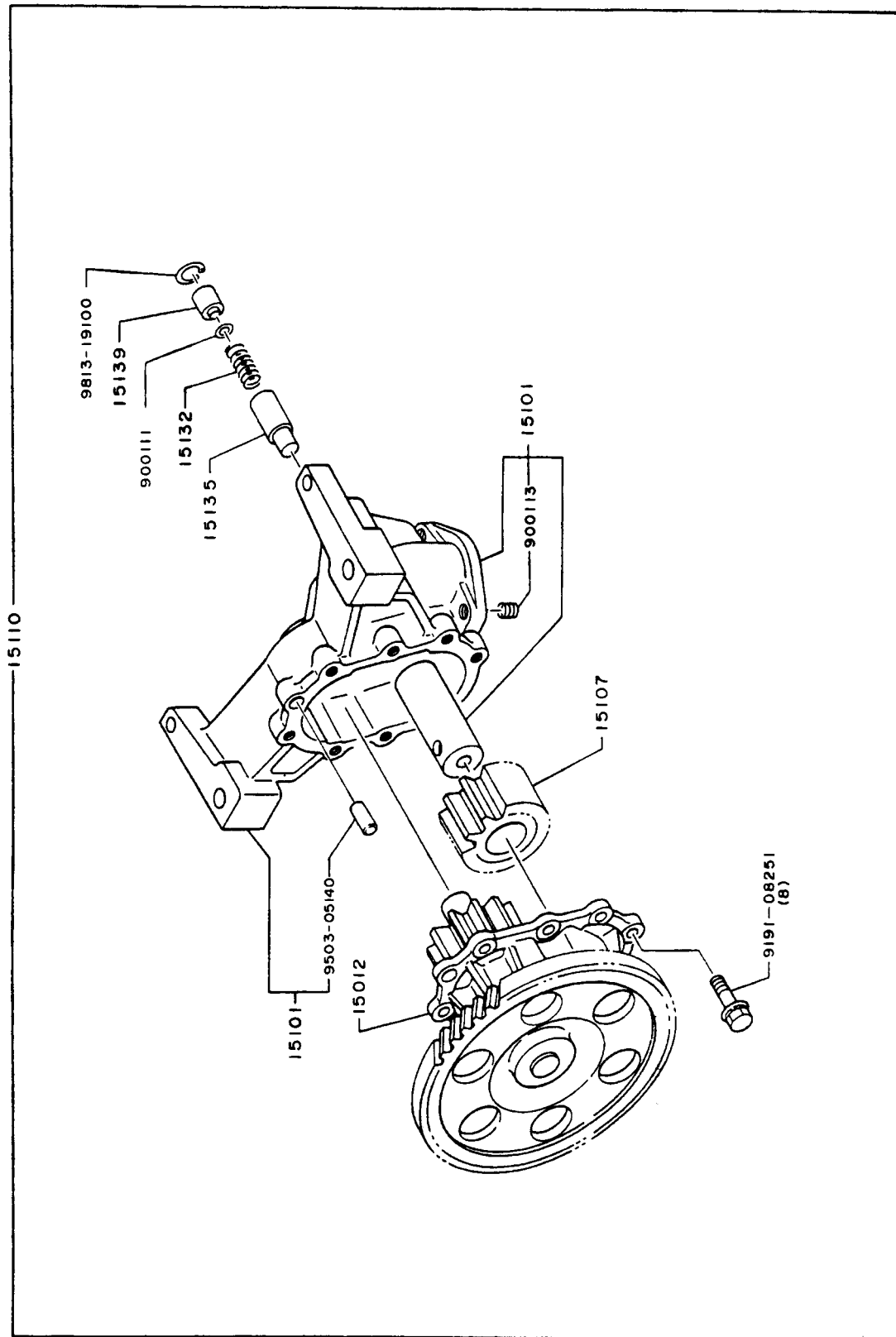
NOTE: Parts that appear in the exploded view with a hyphenated 9 digit call out can be found using the "Index to Hardware" on pages 58-60 at the back of this manual. (example 9504-08180)

17.0L DIESEL — OIL COOLER

ITEM	PART NUMBER	DESCRIPTION	QTY
15710	0C87500373	COOLER ASSY, OIL	*
15661	0C87500374	SPRING, OIL VALVE	1
15662	0C87500375	PLUG, OIL VALVE	1
15701	0C87500376	CASE SUB ASSY, OIL COOLER	1
15711	0C87500377	CASE, OIL COOLER	1
15712	0C87500378	ELEMENT, OIL COOLER	1
15714	0C87500367	VALVE, SAFETY	1
15716	0C87500379	PLUG, VALVE SPG	2
15716A	0C87500368	PLUG, VALVE SPG	1
15717	0C87500380	GASKET, OIL COOLER ELEMENT	1
15717A	0C87500381	GASKET, OIL COOLER ELEMENT	1
16180	0C87500382	COCK ASSY, COOLANT	1
9851A	0768150194	O-RING	1
9851B	0C87500371	O-RING	1
9851C	0C87500383	O-RING	2
9851D	0C87500384	O-RING	2

NOTE: Parts that appear in the exploded view with a hyphenated 9 digit call out can be found using the "Index to Hardware" on pages 58-60 at the back of this manual. (example 9504-08180)

17.0L DIESEL — OIL PUMP



17.0L DIESEL — OIL PUMP

ITEM	PART NUMBER	DESCRIPTION	QTY
15110	0C87500385	PUMP ASSY, OIL L/STNR	*
15012	0C87500386	COVER SUB ASSY, OIL PUMP	1
15101	0C87500387	BODY SUB ASSY, OIL PUMP	1
15107	0C87500388	GEAR SUB ASSY, OIL PUMP	1
15132	0C87500389	SPRING, OIL PUMP RELIEF VALVE	1
15135	0C87500390	VALVE, OIL PUMP SAFETY	1
15139	0C87500391	SEAT, SPG OIL PUMP	1
900111	0847610175	SHIM	AR
900113	0C87500392	HELISERT	6

NOTE: Parts that appear in the exploded view with a hyphenated 9 digit call out can be found using the "Index to Hardware" on pages 58-60 at the back of this manual. (example 9504-08180)

17.0L DIESEL — FUEL SYSTEM

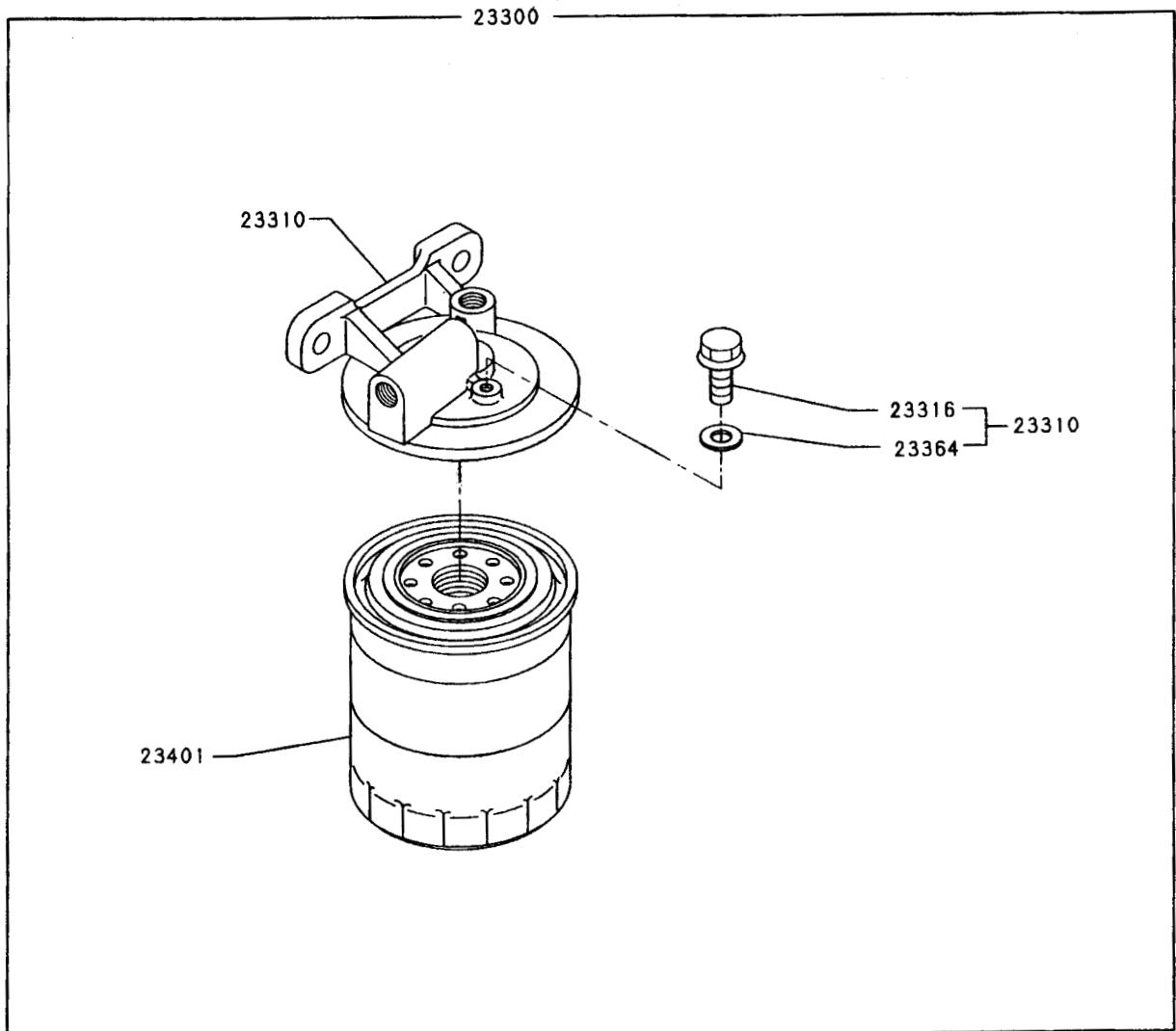
ITEM	PART NUMBER	DESCRIPTION	QTY
11195	0C87500394	CLAMP, NOZZLE HOLDER	8
13610	0C87500395	SHAFT ASSY, INJ PUMP	1
13611	0C87500396	SHAFT, INJ PUMP DRIVE	1
13614	0C87500397	SLEEVE	1
13691	0C87500398	CASE, BRG HOLDER	1
13693	0C87500399	RETAINER, BRG	1
15461	0C87500400	HOSE, OIL	1
15492	0768150203	HOLDER, CLIP	1
15492A	0C87500401	HOLDER, CLIP	1
15492B	0C87500402	HOLDER, CLIP	2
15492C	0C87500404	HOLDER, CLIP	1
15492D	0C87500405	HOLDER, CLIP	1
15492F	0C87500406	HOLDER, CLIP	1
15492G	0C87500407	HOLDER, CLIP	1
15492H	0C87500408	HOLDER, CLIP	1
15771	0C87500409	PIPE, OIL	1
15773	0C87500410	PIPE, OIL	1
22020	0C87500411	PUMP ASSY, INJ	1
22120	0C87500412	BODY ASSY, INJ PUMP	1
22320	0C87500413	GOVERNOR ASSY	1
22560	0C87500414	PUMP ASSY, FUEL FEED	1
22600	0C87500415	COUPLING ASSY	1
22600A	0C87500416	COUPLING ASSY	1
23031	0C87500417	BRACKET SUB ASSY, FUEL FILTER	1
23081	0C87500418	PIPE SUB ASSY, NOZZLE LEAKAGE (6/00 - 6/00)	2
23081	0C87500419	PIPE SUB ASSY, NOZZLE LEAKAGE (7/00-)	2
23300	0C87500420	FILTER ASSY, FUEL	1
23391	0C87500422	PIPE, FUEL LEAKAGE (6/00 - 1/01)	1
23391	0C87500421	PIPE FUEL LEAKAGE (2/01 -)	1
23391	0C87500423	PIPE FUEL LEAKAGE (2/01 -)	1
23391A	0C87500424	PIPE, FUEL LEAKAGE	1
23600	0C87500425	NOZZLE AND HOLDER SET	8
23620	0C87500426	HOLDER ASSY, NOZZLE	8
23640	0C87500427	NOZZLE ASSY	8
23701	0C87500428	PIPE SUB ASSY, INJ, NO 1	1
23702	0C87500429	PIPE SUB ASSY, INJ, NO 2	1
23703	0C87500430	PIPE SUB ASSY, INJ, NO 3	1
23704	0C87500431	PIPE SUB ASSY, INJ, NO 4	1
23705	0C87500432	PIPE SUB ASSY, INJ, NO 5	1
23706	0C87500433	PIPE SUB ASSY, INJ, NO 6	1
23707	0C87500434	PIPE SUB ASSY, INJ, NO 7	1
23708	0C87500435	PIPE SUB ASSY, INJ, NO 8	1
23766	0C87500436	PIPE, THROUGH FEED (6/00 - 1/01	1
23766	0C87500437	PIPE, THROUGH FEED (2/01 -)	1
23768	0C87500438	BRACKET, FUEL PIPE	1
23781A	0C87500439	PIPE, FUEL	1
23782	0C87500440	PIPE, FUEL FEED	1
23783	0C87500441	PIPE, FUEL	1
23806	0C87500442	HOSE SUB ASSY, FUEL	1
76581	0856770180	PLATE, CAUTION COMPLETE	1
79904	0C87500443	CLIP SUB ASSY	AR
79904A	0768150231	CLIP SUB ASSY	4
79904B	0C87500444	CLIP SUB ASSY	AR

17.0L DIESEL — FUEL SYSTEM

ITEM	PART NUMBER	DESCRIPTION	QTY
79904C	0C87500445	CLIP SUB ASSY	6
79904D	0554950491	CLIP SUB ASSY	8
79904J	0C87500446	CLIP SUB ASSY	1
79993	0C87500447	HOLDER, CLIP	2
900111	0C87500448	SHIM	AR
900115	0C87500449	GASKET	1
900116	0C87500450	SPACER (NOT SHOWN)	1
900124	0C87500451	BOLT	1
900129	0C87500452	COLLAR	1
9019A	0C87500453	BOLT	1
9019C	0554950493	BOLT	2
9029A	0C87500454	BOLT	2
9029B	0C87500455	BOLT	1
9029C	0C87500456	BOLT	2
9189A	0C87500457	BOLT	8
9209A	0C87500458	NUT	1
9219A	0C87500459	NUT	1
9419A	0C87500460	BOLT	3
9644A	0C87500461	O-RING	8
9644B	0C87500462	O-RING	1
9645A	0C87500463	O-RING	1
9659A	0642380315	WASHER, SOFT	14
9659B	0590890546	WASHER, SOFT	5
9659C	0C87500464	WASHER, SOFT	2
9729A	0C87500465	CONNECTOR	1
9828A	0C87500466	SEAL, OIL	1
9851A	0C87500467	O-RING	8
9855A	0C87500468	JOINT, PIPE	1
9855B	0C87500469	JOINT, PIPE	1
9884A	0C87500470	BEARING, TAPERED ROLLER	2

NOTE: Parts that appear in the exploded view with a hyphenated 9 digit call out can be found using the "Index to Hardware" on pages 58-60 at the back of this manual. (example 9504-08180)

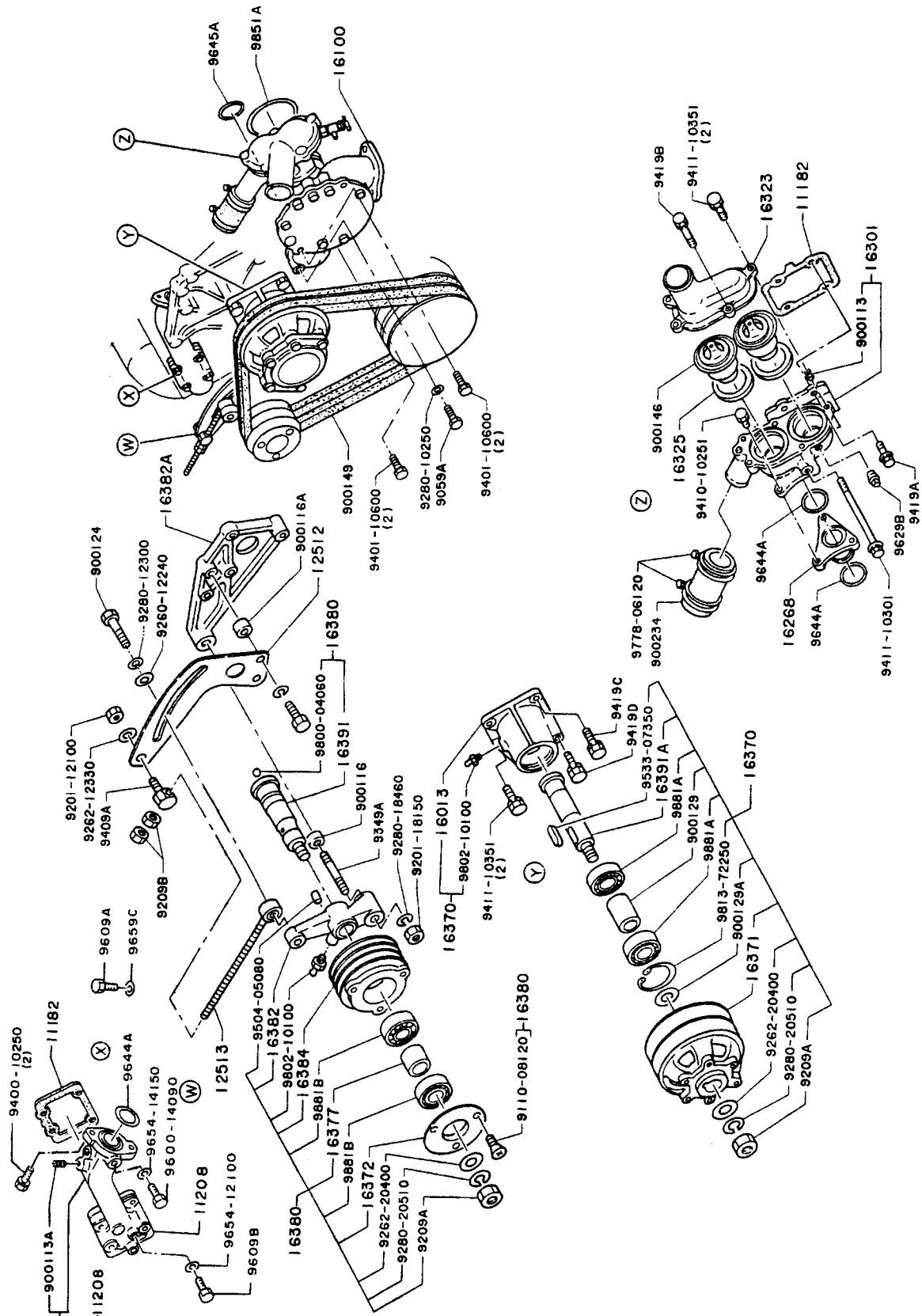
17.0L DIESEL — FUEL FILTER



ITEM	PART NUMBER	DESCRIPTION	QTY
23300	0C87500420	FILTER ASSY, FUEL	*
23310	0768150253	COVER ASSY, FUEL FILTER	1
23316	0642380323	PLUG, AIR	1
23364	0554950535	GASKET, AIR PLUG	1
23401	0C87500474	ELEMENT SET, FUEL FILTER	1

NOTE: Parts that appear in the exploded view with a hyphenated 9 digit call out can be found using the "Index to Hardware" on pages 58-60 at the back of this manual. (example 9504-08180)

17.0L DIESEL — COOLING SYSTEM

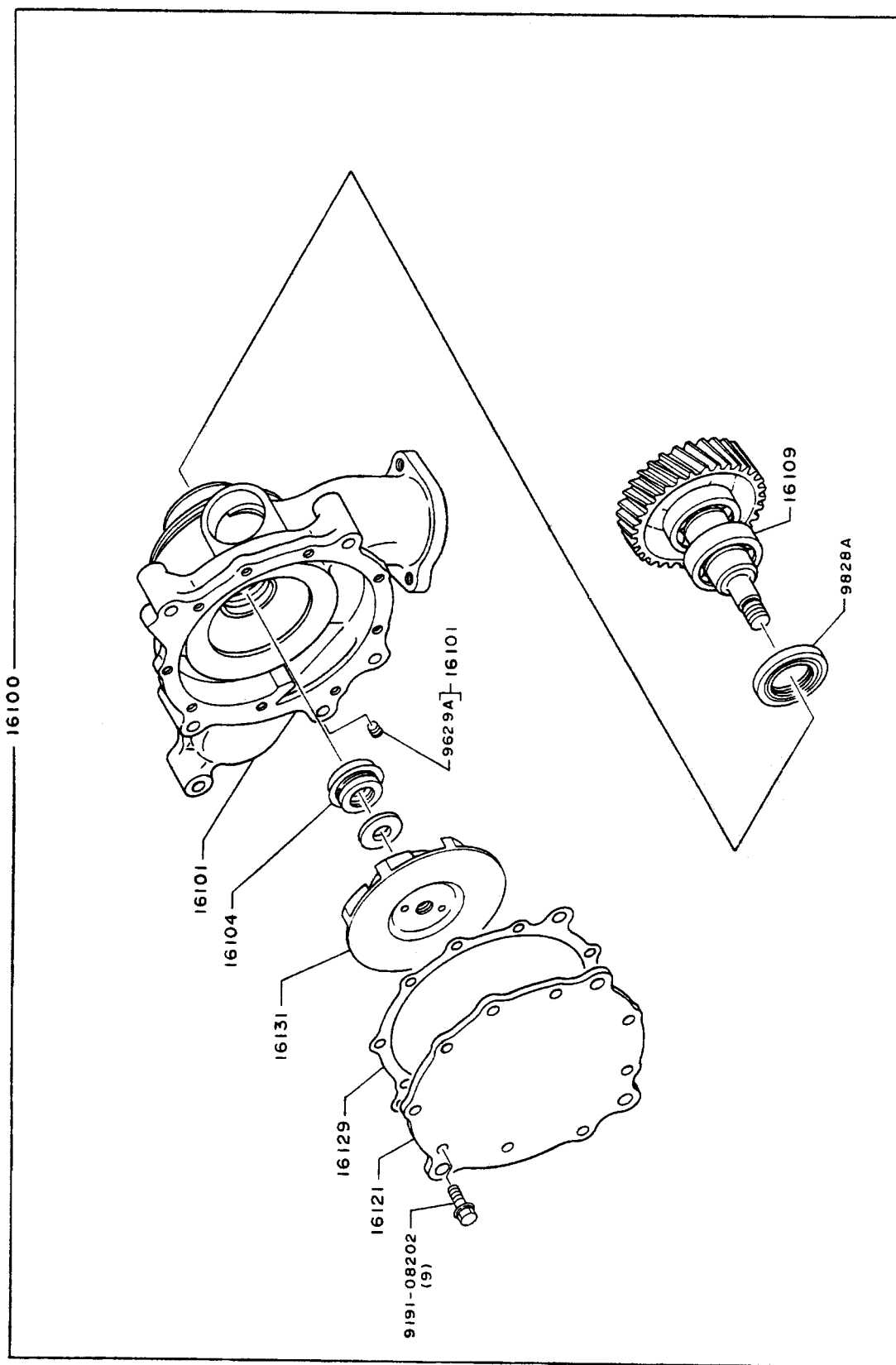


17.0L DIESEL — COOLING SYSTEM

ITEM	PART NUMBER	DESCRIPTION	QTY
11182	0C87500110	GASKET, CYL HEAD PLATE	1
11208	0C87500478	COVER SUB ASSY, CYL HEAD WATER JACKET	1
12512	0C87500479	BRACE, GEN	1
12513	0C87500480	SHAFT, GEN BRACKET	1
16013	0C87500481	HOLDER SUB ASSY, FAN DRIVE BRG	1
16100	0C87500482	PUMP ASSY, COOLANT	1
16268	0C87500483	PIPE, COOLANT BY-PASS	1
16301	0C87500484	CASE SUB ASSY, THERMOSTAT	1
16323	0C87500485	COVER, THERMOSTAT CASE	1
16325	0590890605	GASKET, THERMOSTAT	2
16370	0C87500486	HOLDER ASSY, FAN DRIVE	1
16371	0C87500487	PULLEY, FAN	1
16372	0C87500488	HOLDER, FAN DRIVE	1
16377	0C87500489	SPACER, FAN PULLEY	1
16380	0C87500490	PULLEY ASSY, BELT TENSION	1
16382	0C87500491	BRACKET, TENSION PULLEY	1
16382A	0C87500492	BRACKET, TENSION PULLEY	1
16384	0C87500493	PULLEY, TENSION	1
16391	0C87500494	SHAFT, FAN DRIVE	1
16391A	0C87500495	SHAFT, FAN DRIVE	1
900113	0C87500392	HELISERT	3
900113A	0C87500199	HELISERT	1
900116	0C87500496	SPACER	1
900116A	0C87500497	SPACER	2
900124	0C87500498	BOLT	1
900129	0C87500499	COLLAR	1
900129A	0C87500500	COLLAR	1
900146	0C87500501	THERMOSTAT	2
900149	0C87500502	V-BELT SET	1
900234	0C87500503	HOSE, WATER	1
9059A	0C87500504	BOLT	1
9209A	0C87500505	NUT	2
9209B	0C87500506	NUT	2
9349A	0C87500507	STUD	1
9409A	0C87500508	BOLT	1
9419A	0C87500509	BOLT	2
9419B	0C87500510	BOLT	1
9419C	0C87500511	BOLT	1
9419D	0C87500512	BOLT	1
9609A	0768150120	PLUG	2
9609B	0642380433	PLUG	1
9629B	0C87500513	PLUG	1
9644A	0847610164	O-RING	3
9645A	0C87500514	O-RING	1
9659C	0554950508	WASHER, SOFT	2
9851A	0C87500515	O-RING	1
9881A	0C87500516	BEARING, BALL	2
9881B	0C87500517	BEARING, BALL	2

NOTE: Parts that appear in the exploded view with a hyphenated 9 digit call out can be found using the "Index to Hardware" on pages 58-60 at the back of this manual. (example 9504-08180)

17.0L DIESEL — ENGINE COOLANT PUMP

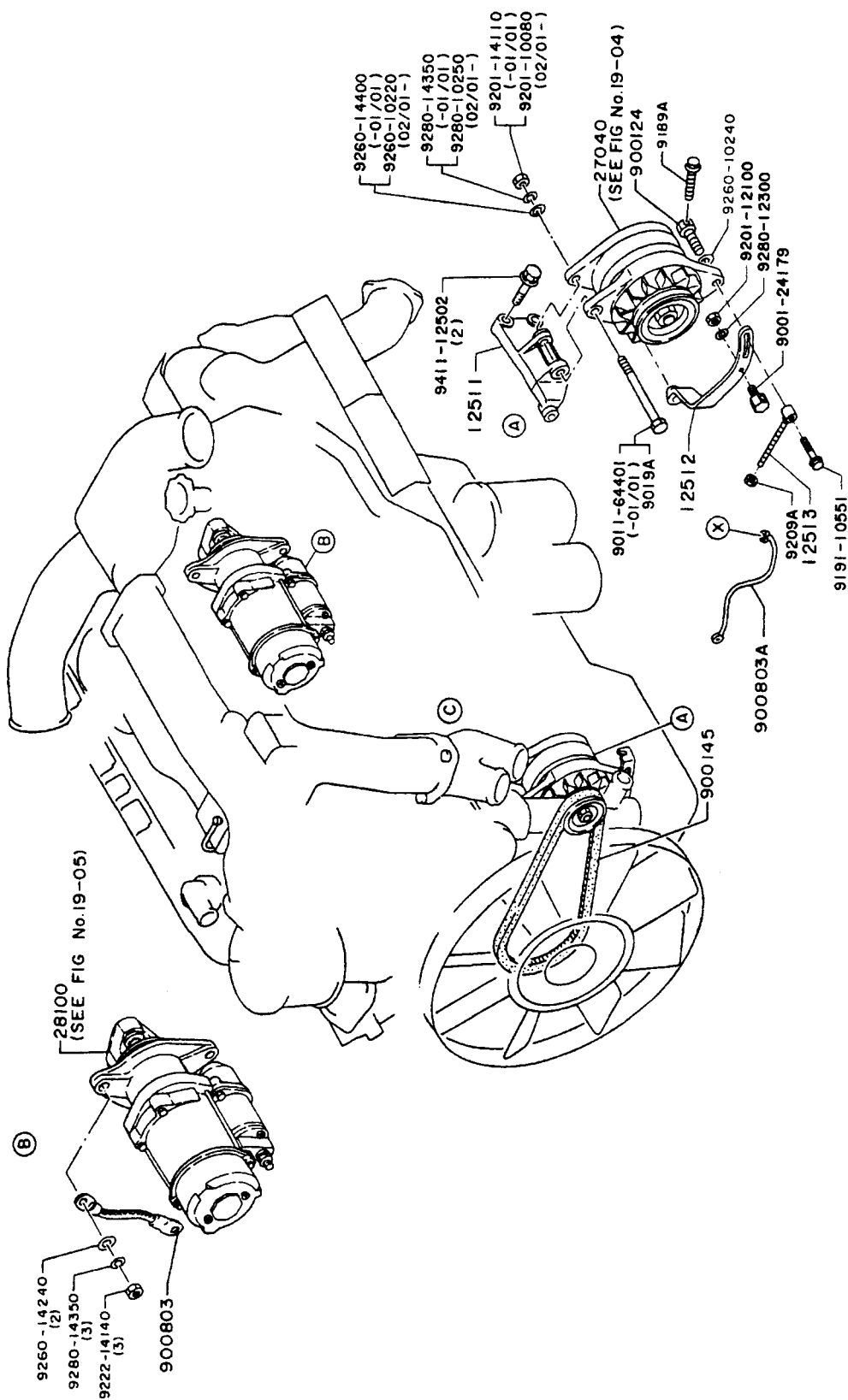


17.0L DIESEL — ENGINE COOLANT PUMP

ITEM	PART NUMBER	DESCRIPTION	QTY
16100	0C87500482	PUMP ASSY, COOLANT	*
16101	0C87500529	CASE SUB ASSY, COOLANT PUMP	1
16104	0C87500530	SEAL SUB ASSY, COOLANT PUMP	1
16109	0C87500531	SHAFT SUB ASSY, COOLANT PUMP	1
16121	0C87500532	COVER, COOLANT PUMP	1
16129	0C87500533	GASKET, COOLANT PUMP COVER	1
16131	0C87500534	VANE, COOLANT PUMP	1
16335	0C87500535	PIPE (NOT SHOWN)	1
9629A	0C87500536	PLUG	1
9828A	0590890682	SEAL, OIL	1

NOTE: Parts that appear in the exploded view with a hyphenated 9 digit call out can be found using the "Index to Hardware" on pages 58-60 at the back of this manual. (example 9504-08180)

17.0L DIESEL — ELECTRICAL PARTS (ENGINE)

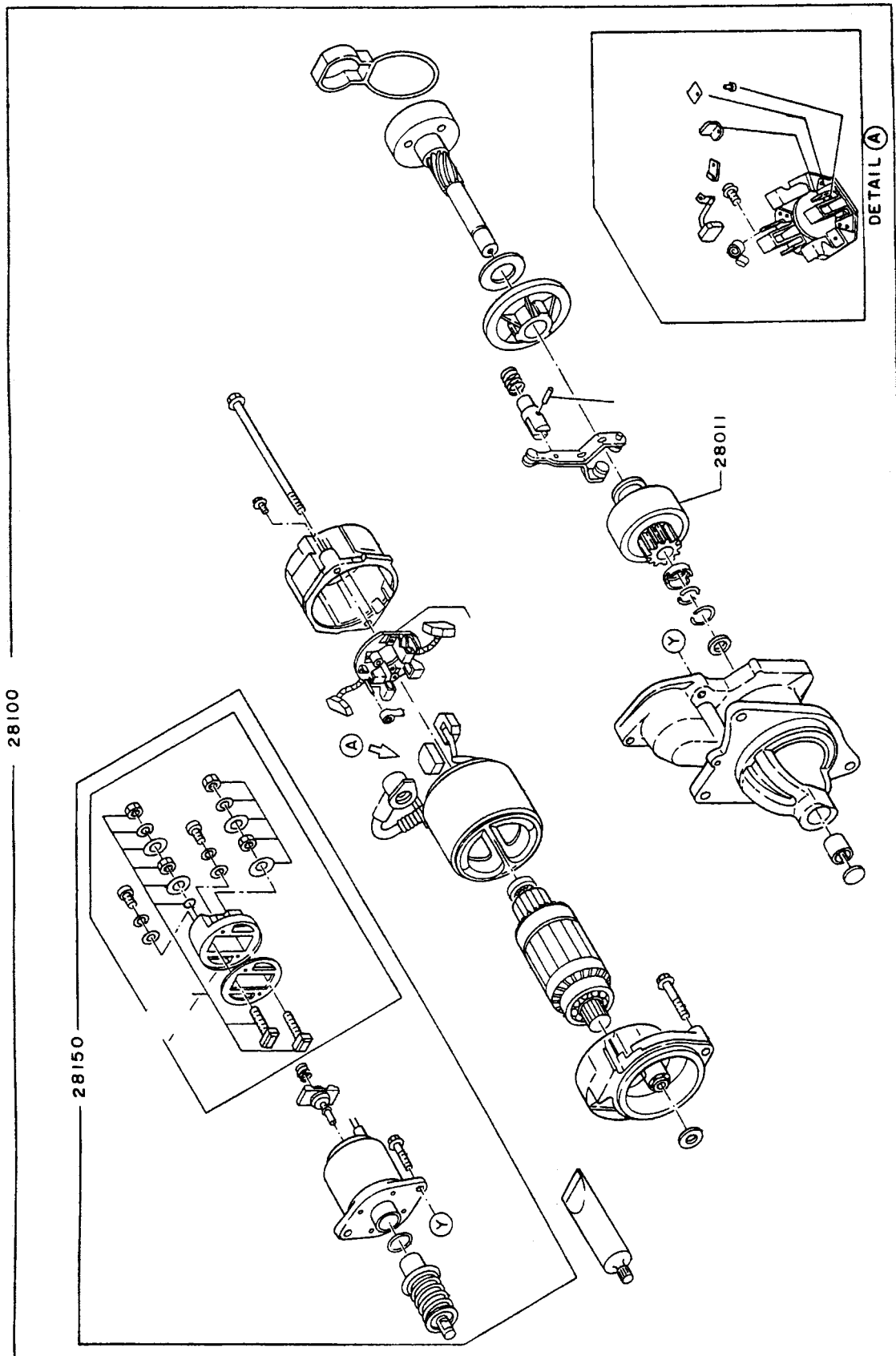


17.0L DIESEL — ELECTRICAL PARTS (ENGINE)

ITEM	PART NUMBER	DESCRIPTION	QTY
12511	0C87500537	BRACKET, GEN (6/00 - 1/01)	1
12511	0C87500538	BRACKET, GEN (2/01 -)	1
12512	0C87500539	BRACE, GEN (6/00 - 1/01)	1
12512	0C87500540	BRACE, GEN (2/01 -)	1
12513	0C87500541	SHAFT, GEN BKT	1
27040	0C87500542	ALTERNATOR ASSY, W/REG (6/00 - 1/01)	1
27040	0C87500543	ALTERNATOR ASSY, W/REG (2/01 -)	1
28100	0C87500544	STARTER ASSY	1
900124	0C87500545	BOLT (6/00 - 1/01)	1
900124	0C87500498	BOLT (2/01 -)	1
900145	0642380418	V-BELT (6/00 - 6/00)	1
900145	0C87500546	V-BELT (7/00 - 1/01)	1
900145	0642380418	V-BELT (2/01 -)	1
900803	0C87500547	STRAP, BAND	1
900803A	0C87500548	STRAP, BAND	1
9019A	0642380420	BOLT	1
9189A	0C87500549	BOLT	1
9209A	0C87500506	NUT	1

NOTE: Parts that appear in the exploded view with a hyphenated 9 digit call out can be found using the "Index to Hardware" on pages 58-60 at the back of this manual. (example 9504-08180)

17.0L DIESEL — STARTING MOTOR

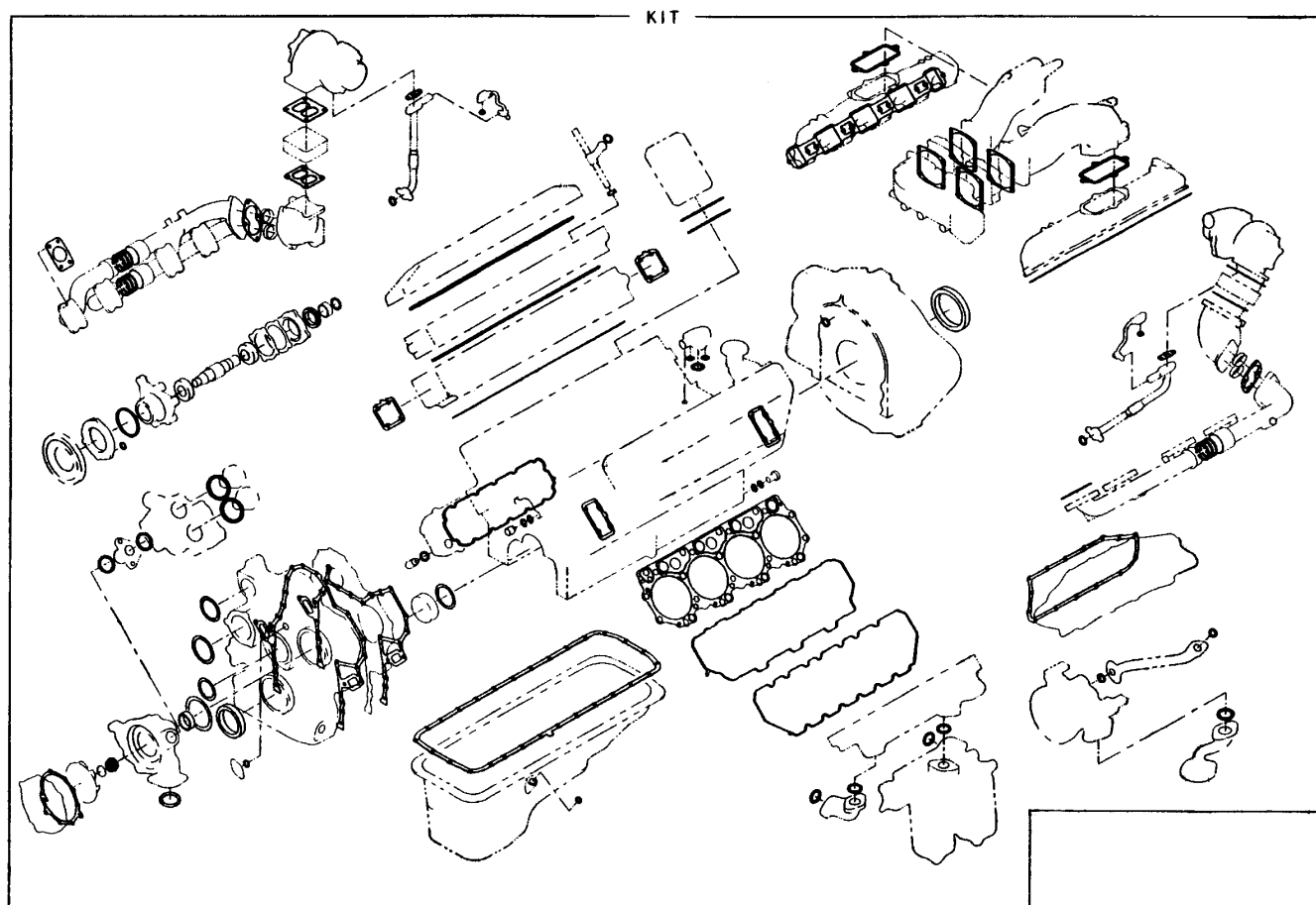


17.0L DIESEL — STARTING MOTOR

ITEM	PART NUMBER	DESCRIPTION	QTY
28100	0C87500544	STARTER ASSY	*
28011	0C87500587	CLUTCH SUB ASSY, START	1
28150	0C87500586	SWITCH ASSY, START MAGNET	1

NOTE: Parts that appear in the exploded view with a hyphenated 9 digit call out can be found using the "Index to Hardware" on pages 58-60 at the back of this manual. (example 9504-08180)

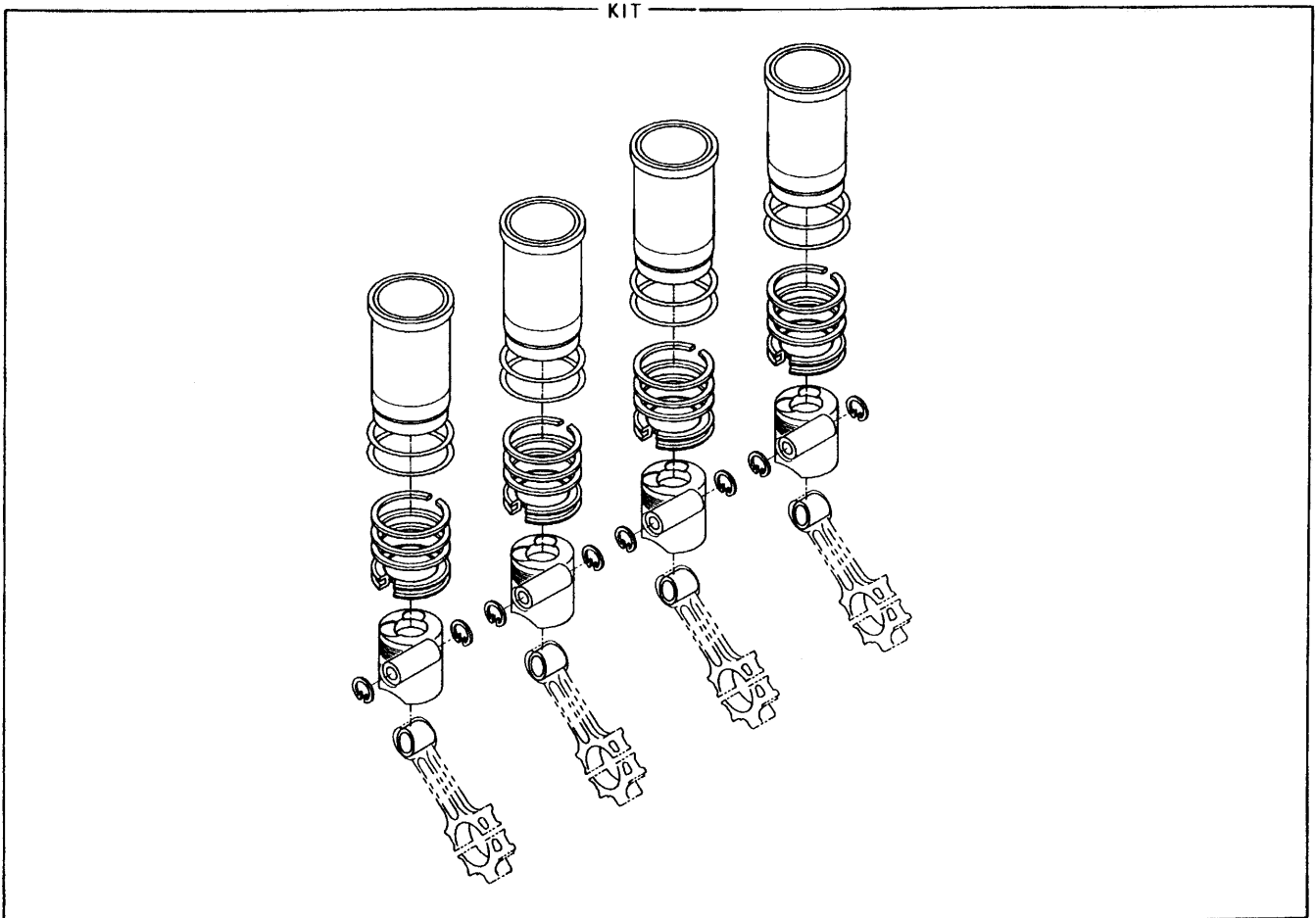
17.0L DIESEL — GASKET KIT (ENGINE OVERHAUL)



ITEM	PART NUMBER	DESCRIPTION	QTY
KIT	0C87500588	GASKET KIT, ENGINE OVERHAUL	1

NOTE: Parts that appear in the exploded view with a hyphenated 9 digit call out can be found using the "Index to Hardware" on pages 58-60 at the back of this manual. (example 9504-08180)

17.0L DIESEL — PISTON AND LINER KIT

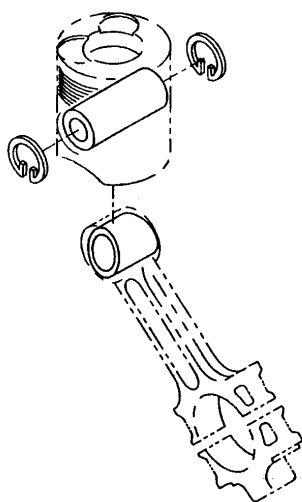


ITEM	PART NUMBER	DESCRIPTION	QTY
KIT	0C87500589	PISTON AND LINER KIT (LEFT BANK, STD)	1
KIT	0C87500590	PISTON AND LINER KIT (RIGHT BANK, STD)	1

NOTE: Parts that appear in the exploded view with a hyphenated 9 digit call out can be found using the "Index to Hardware" on pages 58-60 at the back of this manual. (example 9504-08180)

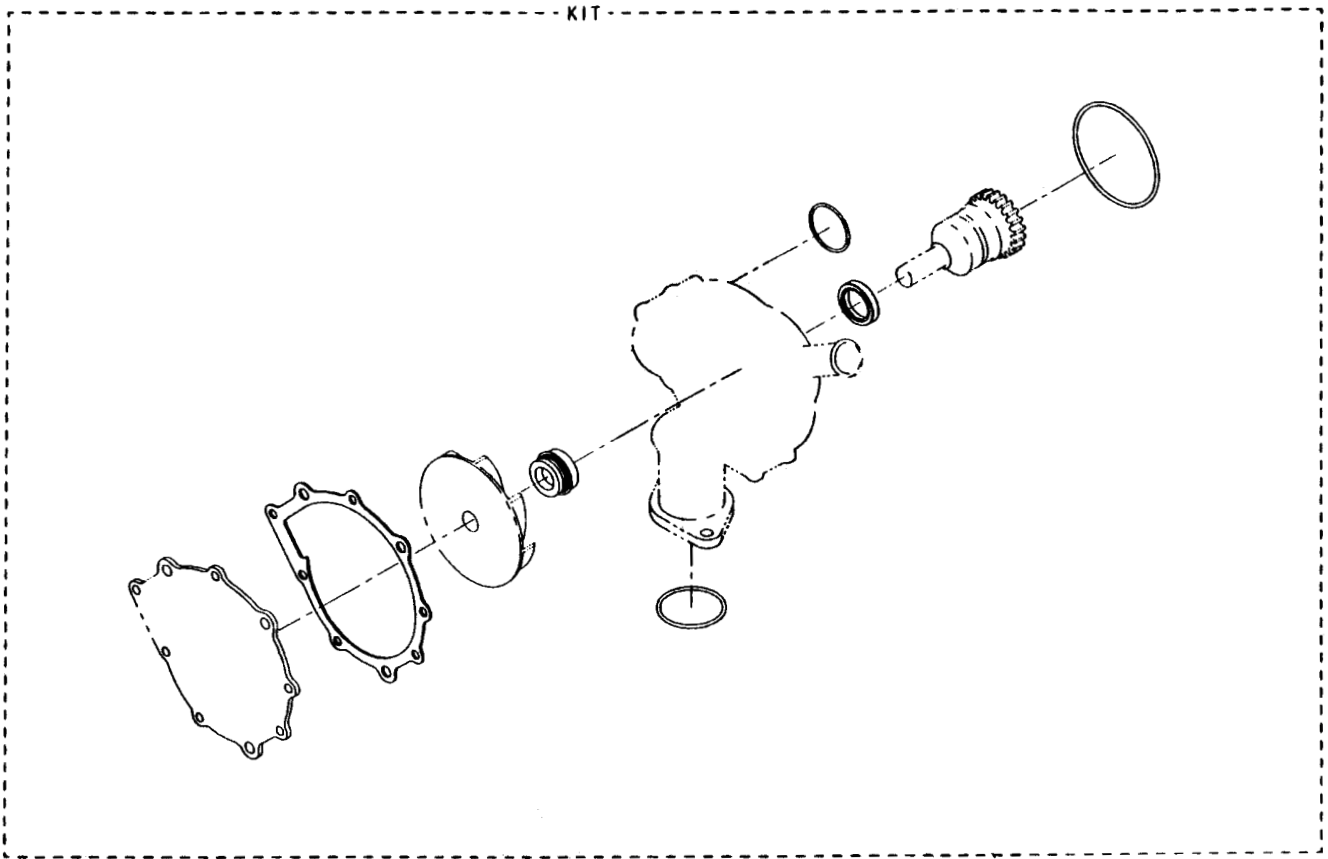
17.0L DIESEL — PISTON PIN KIT (FOR ONE CYLINDER)

KIT



ITEM	PART NUMBER	DESCRIPTION	QTY
KIT	0C87500591	PIN KIT, PISTON	1
<p>NOTE: Parts that appear in the exploded view with a hyphenated 9 digit call out can be found using the "Index to Hardware" on pages 58-60 at the back of this manual. (example 9504-08180)</p>			

17.0L DIESEL — REPAIR KIT (ENGINE COOLANT PUMP)

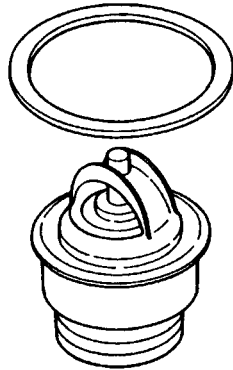


ITEM	PART NUMBER	DESCRIPTION	QTY
KIT	0C87500592	REPAIR KIT, COOLANT PUMP	1

NOTE: Parts that appear in the exploded view with a hyphenated 9 digit call out can be found using the "Index to Hardware" on pages 58-60 at the back of this manual. (example 9504-08180)

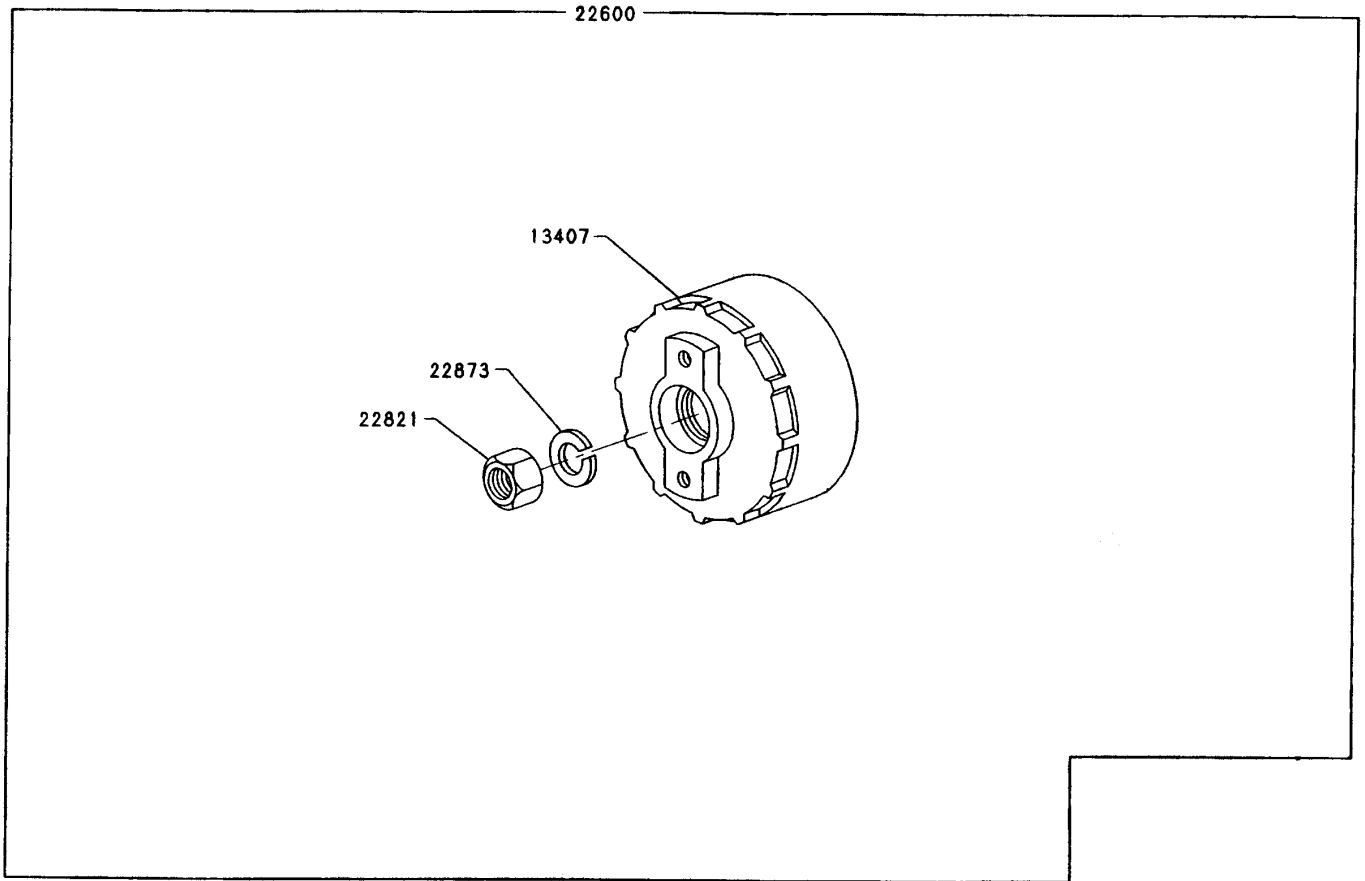
17.0L DIESEL — THERMOSTAT KIT

KIT



ITEM	PART NUMBER	DESCRIPTION	QTY
KIT	0C87500593	THERMOSTAT KIT	1
<p>NOTE: Parts that appear in the exploded view with a hyphenated 9 digit call out can be found using the "Index to Hardware" on pages 58-60 at the back of this manual. (example 9504-08180)</p>			

17.0L DIESEL — FLANGE AND COUPLING



ITEM	PART NUMBER	DESCRIPTION	QTY
22600	0C87500416	COUPLING ASSY	*
13407	0C87500475	DAMPER SUB ASSY, CRANKSHAFT	1
22821	0C87500476	NUT	1
22873	0C87500477	WASHER, SPECIAL	1

NOTE: Parts that appear in the exploded view with a hyphenated 9 digit call out can be found using the "Index to Hardware" on pages 58-60 at the back of this manual. (example 9504-08180)

17.0L DIESEL — TURBOCHARGER

ITEM	PART NUMBER	DESCRIPTION	QTY
15048	0C87500556	BRACKETSUB ASSY, OIL PIPE (6/00 - 1/01)	1
15048	0C87500557	BRACKETSUB ASSY, OIL PIPE (2/01 -)	1
15461	0C87500558	HOSE, OIL (6/00 - 8/00)	2
15461	0C87500559	HOSE, OIL (8/00 -)	1
15461A	0C87500560	HOSE, OIL (8/00 -)	1
15461A	0C87500558	HOSE, OIL (8/00 - 8/00)	2
15492	0C87500561	HOLDER, CLIP	1
17041	0C87500562	INSULATOR SUB ASSY, EXH	1
17041A	0C87500563	INSULATOR SUB ASSY, EXH	1
17159	0C87500564	CONNECTOR, EXH MFLD	2
24100	0C87500565	TURBOCHARGER ASSY	1
24100A	0C87500566	TURBOCHARGER ASSY	1
24106	0C87500567	PIPE SUB ASSY, OIL INLET	1
24106A	0C87500568	PIPE SUB ASSY, OIL INLET	2
24107	0C87500569	PIPE SUB ASSY, OIL OUTLET	1
24107A	0C87500570	PIPE SUB ASSY, OIL OUTLET	1
24109	0C87500571	GASKET, SUB ASSY	2
24109A	0C87500572	GASKET, SUB ASSY	2
24135	0C87500573	GASKET, OIL, OUTLET (6/00 - 6/00)	2
24135	0C87500574	GASKET, OIL, OUTLET (7/00 -)	2
79904	0768150231	CLIP SUB ASSY	2
900116	0C87500575	SPACER (6/00 - 7/00)	16
900116	0C87500576	SPACER (7/00 -)	16
900116A	0C87500577	SPACER (NOT SHOWN)	1
9019A	0554950493	BOLT	1
9019C	0C87500578	BOLT	4
9029A	0C87500579	BOLT	4
9209A	0C87500580	NUT	16
9349A	0C87500581	STUD	16
9349C	0C87500582	STUD	2
9644A	0847610163	O-RING	2
9659A	0590890546	WASHER, SOFT	2
9851A	0C87500583	O-RING	2

NOTE: Parts that appear in the exploded view with a hyphenated 9 digit call out can be found using the "Index to Hardware" on pages 58-60 at the back of this manual. (example 9504-08180)

17.0L DIESEL — INDEX TO HARDWARE

ITEM	PART NUMBER	DESCRIPTION	QTY
9001-24179	0C87500553	BOLT	AR
9011-08350	0554950312	BOLT	AR
9011-64401	0C87500555	BOLT	AR
9021-08070	0C87500472	BOLT	AR
9110-08120	0C87500521	BOLT	AR
9180-08160	0C87500181	BOLT	AR
9181-08160	0642380137	BOLT	AR
9181-08200	0642380138	BOLT	AR
9181-08300	0856770159	BOLT	AR
9181-08350	0642380247	BOLT	AR
9190-08251	0768150242	BOLT	AR
9190-08351	0C87500177	BOLT	AR
9190-08501	0C87500372	BOLT	AR
9191-08121	0C87500584	BOLT	AR
9191-08161	0642380305	BOLT	AR
9191-08202	0554950370	BOLT	AR
9191-08251	0856770161	BOLT	AR
9191-08301	0554950178	BOLT	AR
9191-08303	0C87500178	BOLT	AR
9191-08351	0554950124	BOLT	AR
9191-10351	0642380359	BOLT	AR
9191-10551	0C87500554	BOLT	AR
9200-08070	0554950498	NUT	AR
9201-08070	0642380308	NUT	AR
9201-08087	0C87500471	NUT	AR
9201-10080	0642380422	NUT	AR
9201-12100	0554950431	NUT	AR
9201-14110	0642380423	NUT	AR
9201-18150	0554950569	NUT	AR
9210-16080	0590890636	LOCK NUT	AR
9222-14140	0C87500550	NUT	AR
9260-08180	055495A332	PLAIN WASHER	AR
9260-08220	0768150187	PLAIN WASHER	AR
9260-08240	0C87500348	PLAIN WASHER	AR
9260-10180	0847610185	PLAIN WASHER	AR
9260-10220	0642380309	PLAIN WASHER	AR
9260-10240	0590890638	PLAIN WASHER	AR
9260-12240	0554950433	PLAIN WASHER	AR
9260-14240	0C87500222	PLAIN WASHER	AR
9260-14400	0C87500551	PLAIN WASHER	AR
9262-12270	0642380427	PLAIN WASHER	AR
9262-12330	0C87500518	PLAIN WASHER	AR
9262-14300	0C87500272	PLAIN WASHER	AR
9262-20400	0C87500519	WASHER, PLAIN	AR
9262-20400	0C87500526	WASHER, PLAIN	AR
9280-06150	0642380310	LOCKWASHER	AR
9280-08200	0642380260	LOCKWASHER	AR
9280-10250	0642380428	LOCKWASHER	AR
9280-12300	0554950435	LOCKWASHER	AR
9280-14350	0642380429	LOCKWASHER	AR
9280-18460	0642380476	LOCKWASHER	AR
9280-20510	0C87500520	LOCKWASHER	AR
9280-20510	0C87500527	LOCKWASHER	AR

17.0L DIESEL — INDEX TO HARDWARE

ITEM	PART NUMBER	DESCRIPTION	QTY
9281-16260	0C87500473	LOCKWASHER	AR
9301-08350	0C87500342	STUD	AR
9310-08300	0C87500347	STUD	AR
9311-08160	0C87500171	STUD	AR
9321-08140	0C87500349	STUD	AR
9331-12550	0C87500217	STUD	AR
9331-12800	0C87500223	STUD	AR
9331-14450	0C87500224	STUD	AR
9341-10450	0C87500175	STUD	AR
9351-10480	0C87500216	STUD	AR
9351-10520	0C87500344	STUD	AR
9391-06160	0C87500297	SCREW SET	AR
9400-10160	0C87500180	BOLT	AR
9400-10250	0C87500522	BOLT	AR
9401-10160	0C87500180	BOLT	AR
9401-10200	0642380116	BOLT	AR
9401-10250	0768150153	BOLT	AR
9401-10300	0642380430	BOLT	AR
9401-10500	0590890652	BOLT	AR
9401-10550	0590890245	BOLT	AR
9401-10600	0C87500226	BOLT	AR
9401-10750	0C87500227	BOLT	AR
9401-12250	0C87500271	BOLT	AR
9401-12400	0C87500256	BOLT	AR
9401-12850	0C87500225	BOLT	AR
9401-14350	0847610141	BOLT	AR
9401-14450	0C87500176	BOLT	AR
9410-10251	055495B435	BOLT	AR
9411-10251	0642380311	BOLT	AR
9411-10252	0C87500172	BOLT	AR
9411-10301	0554950414	BOLT	AR
9411-10351	0C87500350	BOLT	AR
9411-10352	0C87500220	BOLT	AR
9411-10401	0642380117	BOLT	AR
9411-10451	0C87500218	BOLT	AR
9411-10451	0C87500351	BOLT	AR
9411-10452	0C87500345	BOLT	AR
9411-10501	0C87500594	BOLT	AR
9411-10502	0C87500346	BOLT	AR
9411-10601	0554950415	BOLT	AR
9411-10702	0554950339	BOLT	AR
9411-10752	0C87500221	BOLT	AR
9411-10801	0554950340	BOLT	AR
9411-10901	0554950341	BOLT	AR
9411-12452	0C87500219	BOLT	AR
9411-12502	0C87500552	BOLT	AR
9412-10301	0C87500174	BOLT	AR
9412-10751	0C87500173	BOLT	AR
9503-05140	0847610172	STRAIGHT PIN	AR
9504-05080	0768150113	STRAIGHT PIN	AR
9504-05100	0642380141	STRAIGHT PIN	AR
9504-05120	0C87500595	STRAIGHT PIN	AR
9504-06120	0C87500257	STRAIGHT PIN	AR

17.0L DIESEL — INDEX TO HARDWARE

ITEM	PART NUMBER	DESCRIPTION	QTY
9504-08180	0C87500258	STRAIGHT PIN	AR
9504-10200	0C87500259	STRAIGHT PIN	AR
9504-10240	0554950573	STRAIGHT PIN	AR
9504-12200	0768150115	STRAIGHT PIN	AR
9504-12280	0768150116	STRAIGHT PIN	AR
9533-07350	0C87500524	KEY	AR
9534-05160	055495A504	WOODRUFF KEY	AR
9600-10070	0C87500343	PLUG	AR
9600-14090	0C87500523	PLUG	AR
9604-10110	0642380312	PLUG	AR
9604-12130	0642380143	PLUG	AR
9604-14140	0C87500179	PLUG	AR
9654-12100	0642380434	SOFT WASHER	AR
9654-14150	0554950440	SOFT WASHER	AR
9654-16150	0590890195	SOFT WASHER	AR
9778-06120	0C87500528	HOSE CLAMP	AR
9800-04060	0554950138	STEEL BALL	AR
9802-10100	0642380406	LUBRICATION FITTING	AR
9813-19100	0C87500393	RETAINER RING	AR
9813-72250	0C87500525	RETAINER RING	AR

