

**OD3749**

**GENERAC<sup>®</sup>**  
POWER SYSTEMS, INC.

**4.3** LITER

**G A S**

**GM**  
**ENGINE**  
**PARTS**  
**MANUAL**



**4.3L GAS TABLE OF CONTENTS**

QUICK REFERENCE GUIDE .....2  
SERVICE RECOMMENDATIONS .....4  
ENGINE BLOCK AND ACCESSORIES.....8  
UPPER END ENGINE PARTS.....14  
ENGINE COMMON PARTS  
  DIRECT DRIVE INDUSTRIAL UNITS (LEFT SIDE) .....18  
  DIRECT DRIVE INDUSTRIAL UNITS (RIGHT SIDE).....20  
  GEAR BOX INDUSTRIAL UNITS (LEFT SIDE) .....22  
  GEAR BOX INDUSTRIAL UNITS (RIGHT SIDE) .....24

**LEGEND**

- “AR” AS REQUIRED**
- (STD) STANDARD SIZE**
- “O.S.” OVERSIZE**
- “U.S.” UNDERSIZE**
- NA NOT AVAILABLE**

**NOTICE!**

**THE INFORMATION IN THIS MANUAL IS KNOWN TO BE ACCURATE AS OF THE DATE OF RELEASE SHOWN ON THE COVER. HOWEVER, ENGINEERING CHANGES CAN OCCUR WITHOUT NOTICE. TO OBTAIN THE PROPER PARTS, PLEASE BE SURE TO USE THE MODEL NUMBER OF THE UNIT BEING SERVICED WHEN ORDERING FROM THIS MANUAL.**

## 4.3L GAS QUICK REFERENCE GUIDE

### ◆ ENGINE OIL RECOMMENDATIONS

The unit has been filled with “break in” engine oil at the factory. Use a high-quality detergent oil classified “For Service CC, SD, SE or SF.” Detergent oils keep the engine cleaner and reduce carbon deposits. Use oil having the following SAE viscosity rating, based on the ambient temperature range anticipated before the next oil change:

#### Engine Lubrication System:

Crankcase Oil Capacity .....4.25 L (4.5 U.S. qts.)

Temperature	Oil Grade (Recommended)
Above 80° F (27° C)	SAE 30W or 15W-40
30° to 80° F (-1° to 27° C)	SAE 20W-20 or 15W-40
Below 32° F (0° C)	SAE 10W or 15W-40

### ◆ COOLANT

Use a mixture of half low silicate, ethylene glycol base antifreeze and half soft water. Use only soft water and only low silicate antifreeze. If desired, you may add a high quality rust inhibitor to the recommended coolant mixture. When adding coolant, always add the recommended 50-50 mixture.

#### Cooling System:

Coolant Capacity

System SG035/045/075 .....17 L (4.5 U.S. gals.)

System SG060 .....19 L (5 U.S. gals.)

### —▲ DANGER ▲—

- ▲ Do not remove the radiator pressure cap while the engine is hot or serious burns from boiling liquid or steam could result.
- ▲ Ethylene glycol base antifreeze is poisonous. Do not use your mouth to siphon coolant from the radiator, recovery bottle or any container. Wash your hands thoroughly after handling. Never store used antifreeze in an open container because animals are attracted to the smell and taste of antifreeze even though it is poisonous to them.

### —▲ CAUTION ▲—

- ▲ Do not use any chromate base rust inhibitor with ethylene glycol base antifreeze, or chromium hydroxide (“green slime”) will form and cause overheating. Engines that have been operated with a chromate base rust inhibitor must be chemically cleaned before adding ethylene glycol base antifreeze. Using any high silicate antifreeze boosters or additives also will cause overheating. We also recommend that you DO NOT use any soluble oil inhibitor for this equipment.

## 4.3L GAS QUICK REFERENCE GUIDE

### QUICK REFERENCE ENGINE PARTS

PART NUMBER	DESCRIPTION	QTY
0A37970001	OIL FILTER	1
0A4637	AIR FILTER (11-1/2" X 3-1/2")	1
0A37970201	DISTRIBUTOR CAP	1
0A37970191	DISTRIBUTOR PICK UP COIL	1
0A37970193	DISTRIBUTOR IGNITION MODULE	1
0A37970195	DISTRIBUTOR ROTOR	1
0A37970198	IGNITION COIL	1
075885	THERMOSTAT	1
0A2440	THERMOSTAT GASKET	1
0A37970127	SEAL, CR/SHAFT RR OIL (1997-98)	1
0758720149	SEAL, CR/SHAFT RR OIL (1996)	1
0A37970208	SEAL, CR/SHAFT RR OIL (1999-2001)	1
0A37970101	RING KIT, PISTON, STD	6
0A37970102	RING KIT, PISTON, 0.50 MM O.S.	AR
0A37970103	PISTON KIT, STD	6
0A37970104	PISTON KIT, 0.50 MM O.S.	AR
0A37970172	SPARK PLUG	6

## 4.3L GAS SERVICE RECOMMENDATIONS

### 35 KW - 200 KW STANDBY GAS ENGINE DRIVEN GENERATOR SETS

Following is a recommended maintenance schedule for Generac standby gas engine driven generator sets from 35 kW to 200 kW in size. The established intervals in the schedule are the *maximum* recommended when the unit is used in an average service application. They will need to be decreased (performed more frequently) if the unit is used in a severe application. Use the unit hour meter or calendar time, whichever occurs first, from the previous maintenance interval to determine the next required maintenance interval.

#### Service Maintenance Interval Information:

The various service maintenance intervals are designated by interval numbers as follows:

- 1 An early inspection of the generator set to insure it is ready to operate when required and to identify any potential problem areas.

*Performed monthly or following each 10 hours of operation of the unit and requires approximately .5 man-hours per unit to complete.*

*This inspection may be performed by the end user providing the following safety steps are taken to prevent the engine from starting automatically without warning:*

**To prevent injury, perform the following steps in the order indicated before starting any maintenance:**

- **Disable the generator set from starting and/or connecting to the load by setting the control panel Auto-Off-Manual switch to the "OFF" position.**
- **Remove the control panel fuse.**
- **Turn off the battery charger.**
- **Remove the negative battery cable.**

**The battery charger must be turned off BEFORE removing the battery cable to prevent an over current condition from burning out sensitive control panel components and circuits.**

**Following all maintenance, reverse these steps to insure the unit is returned to standby setup for normal operation when required.**

- 2 A break-in service inspection of the generator set to insure it is ready to operate and carry the load when required, and to identify any potential problem areas.

*Performed **ONLY ONCE** following the first three months or the first 30 hours of operation after purchase of the unit and requires approximately 2.5 man-hours per unit to complete.*

*This inspection contains some maintenance tasks which require special tools, equipment, and/or knowledge to accomplish and should be performed only by an authorized Generac Service Dealer.*

- 3 An operational inspection of the generator set to insure it is ready to operate and carry the load when required, and to identify any potential problem areas.

*Performed semi-annually or following each 50 hours of operation of the unit and requires approximately 1.5 man-hours per unit to complete.*

*This inspection contains some maintenance tasks which require special tools, equipment, and/or knowledge to accomplish and should be performed only by an authorized Generac Service Dealer.*

- 4 A mid-level inspection of the generator set to insure it is ready to operate and carry the load when required, and to identify any potential problem areas.

*Performed annually or following each 100 hours of operation of the unit and requires approximately 5.0 man-hours per unit to complete.*

*This inspection contains some maintenance tasks which require special tools, equipment, and/or knowledge to accomplish and should be performed only by an authorized Generac Service Dealer.*

**NOTE: Add 20% to all times for 8 cylinder or larger engines.**

**4.3L GAS SERVICE RECOMMENDATIONS**

**GENERAC POWER SYSTEMS, INC.**

**RECOMMENDED SCHEDULED MAINTENANCE PROGRAM**  
SERVICE WORK TO BE PERFORMED BY FACTORY-TRAINED PERSONNEL ONLY.

**DEALER INFORMATION**

NAME: \_\_\_\_\_  
ACCOUNT #: \_\_\_\_\_  
ADDRESS: \_\_\_\_\_  
\_\_\_\_\_  
PHONE: \_\_\_\_\_  
TECHNICIAN: \_\_\_\_\_  
SIGNATURE: \_\_\_\_\_

**OWNER INFORMATION**

NAME: \_\_\_\_\_  
ADDRESS: \_\_\_\_\_  
\_\_\_\_\_  
SITE: \_\_\_\_\_  
PHONE: \_\_\_\_\_  
SIGNATURE: \_\_\_\_\_

PURCHASE DATE: \_\_\_\_\_ START-UP DATE: \_\_\_\_\_

APPLICATION: \_\_\_\_\_ Standby Power \_\_\_\_\_ Prime Power \_\_\_\_\_ Rental/Trailerized

**GENERATOR & TRANSFER SWITCH INFORMATION**

**GENERATOR**

MODEL NUMBER: \_\_\_\_\_  
SERIAL NUMBER: \_\_\_\_\_

**TRANSFER SWITCH**

MODEL NUMBER: \_\_\_\_\_  
SERIAL NUMBER: \_\_\_\_\_

HOUR METER READING *at Completion of the Inspection*: \_\_\_\_\_

**▲ WARNING! ▲**

To prevent injury, perform the following steps in the order indicated before starting any maintenance:

- Disable the generator set from starting and/or connecting to the load by setting the control panel Auto-Off-Manual switch to the "OFF" position.
- Remove the control panel fuse.
- Turn off the battery charger.
- Remove the negative battery cable.

**NOTE:**

*The battery charger must be turned off BEFORE removing the battery cable to prevent an over current condition from burning out sensitive control panel components and circuits.*

Following all maintenance, reverse these steps to insure the unit is returned to standby setup for normal operation when required.

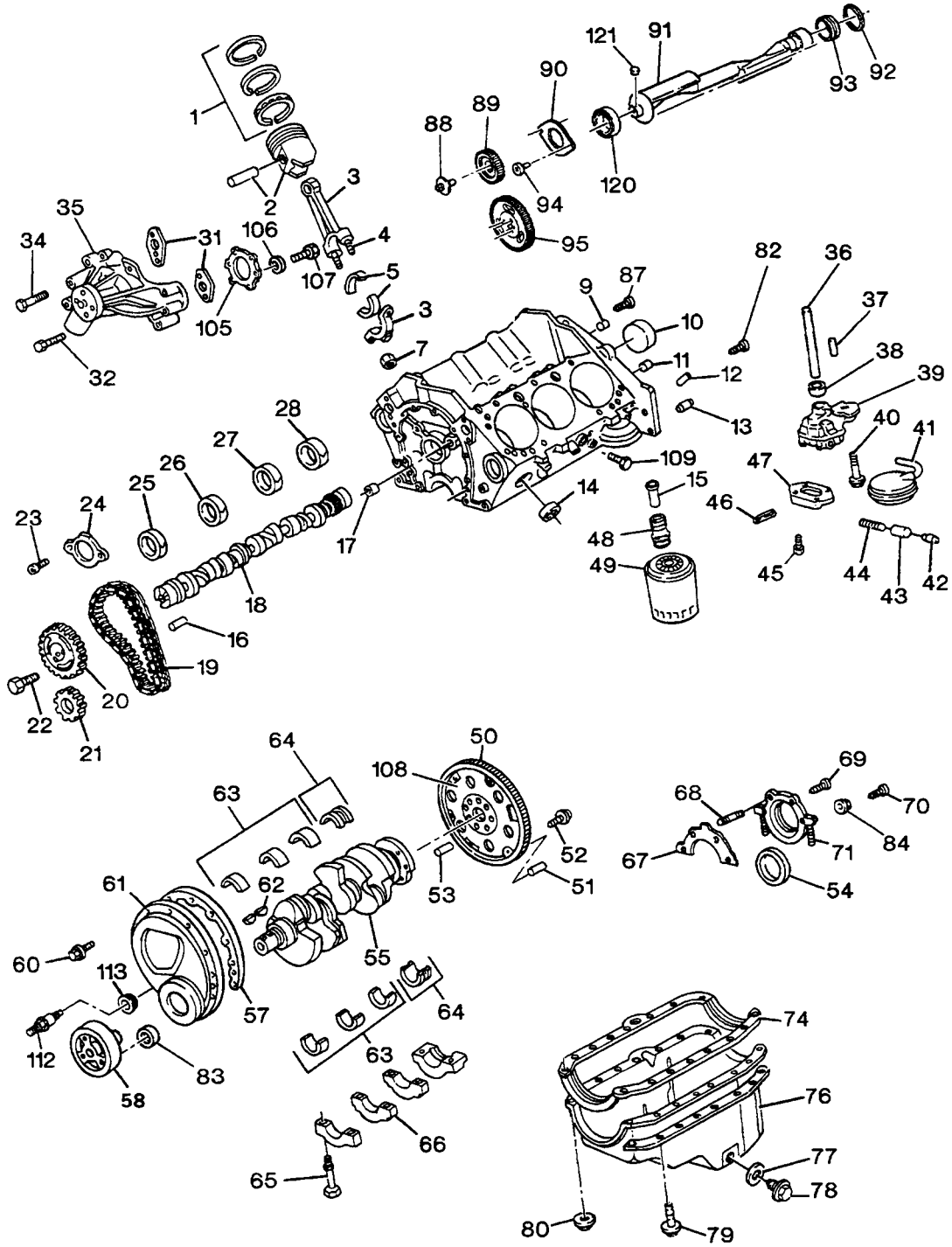
## 4.3L GAS SERVICE RECOMMENDATIONS

Maintenance Tasks	Level 1	Task Comp. (Date-Initials)	Level 2	Task Comp. (Date-Initials)	Level 3	Task Comp. (Date-Initials)	Level 4	Task Comp. (Date-Initials)
	Recommended to be done monthly/ 10 hrs.		Required to be done 3 months/ Break-in 30 hrs.		Required to be done Semi-annually/ 50 hrs.		Required to be done Annually/ 100 hrs.	
1. Disable the unit from operating per the first page warning.	○		○		○		○	
2. Check the engine oil level. Adjust as necessary.	○		○		○		○	
3. Check the engine coolant level. Adjust as necessary.	○		○		○		○	
4. Check the engine coolant thermal protection level. Correct as necessary.							○	
5. Check the natural gas delivery system. Tighten connections as necessary.			○		○		○	
6. Check the air inlets and outlets for debris. Clean as necessary.	○		○		○		○	
7. Check the battery electrolyte level if accessible. Adjust as necessary.	○		○		○		○	
8. Check the battery posts, cables, and charger for loose connections, corrosion, and proper operation. Correct as necessary.	○		○		○		○	
9. Check the unit wiring for loose connections, corrosion, and damage. Correct as necessary.							○	
10. Check the engine accessory drive belts for wear, weather cracking and damage. Replace as necessary.							○	
11. Visually inspect the unit looking for leaks, wear or damage, loose connections or components, and corrosion. Correct as necessary.	○		○		○		○	
12. Test the engine and transfer switch safety devices. Correct and/or adjust as necessary.							○	

## 4.3L GAS SERVICE RECOMMENDATIONS

Maintenance Tasks	Level 1 Recom- mended to be done monthly/ 10 hrs.	Task Comp. (Date- Initials)	Level 2 Required to be done 3 months/ Break-in 30 hrs.	Task Comp. (Date- Initials)	Level 3 Required to be done Semi- annually/ 50 hrs.	Task Comp. (Date- Initials)	Level 4 Required to be done Annually/ 100 hrs.	Task Comp. (Date- Initials)
13. Initiate an automatic start and transfer of the unit to site load and exercise it for at least 1 hour looking for leaks, loose connections or components, and abnormal operating conditions. Correct as necessary.			○		○			
14. Start and exercise the unit at full rated load (use a load bank if the site load is not enough) for at least 2 hours looking for leaks, loose connections or components, and abnormal operating conditions. Correct as necessary.							○	
15. Change the engine oil.			○				○	
16. Replace the engine oil filter(s).			○				○	
17. Replace the engine air filter(s).							○	
18. Check the engine spark plugs. Clean and re-gap or replace as necessary.			○				○	
19. Perform a 5 minute no-load operational run of the unit looking for any post service problems.			○				○	
20. Return the unit to standby setup for operation when required.	○		○		○		○	

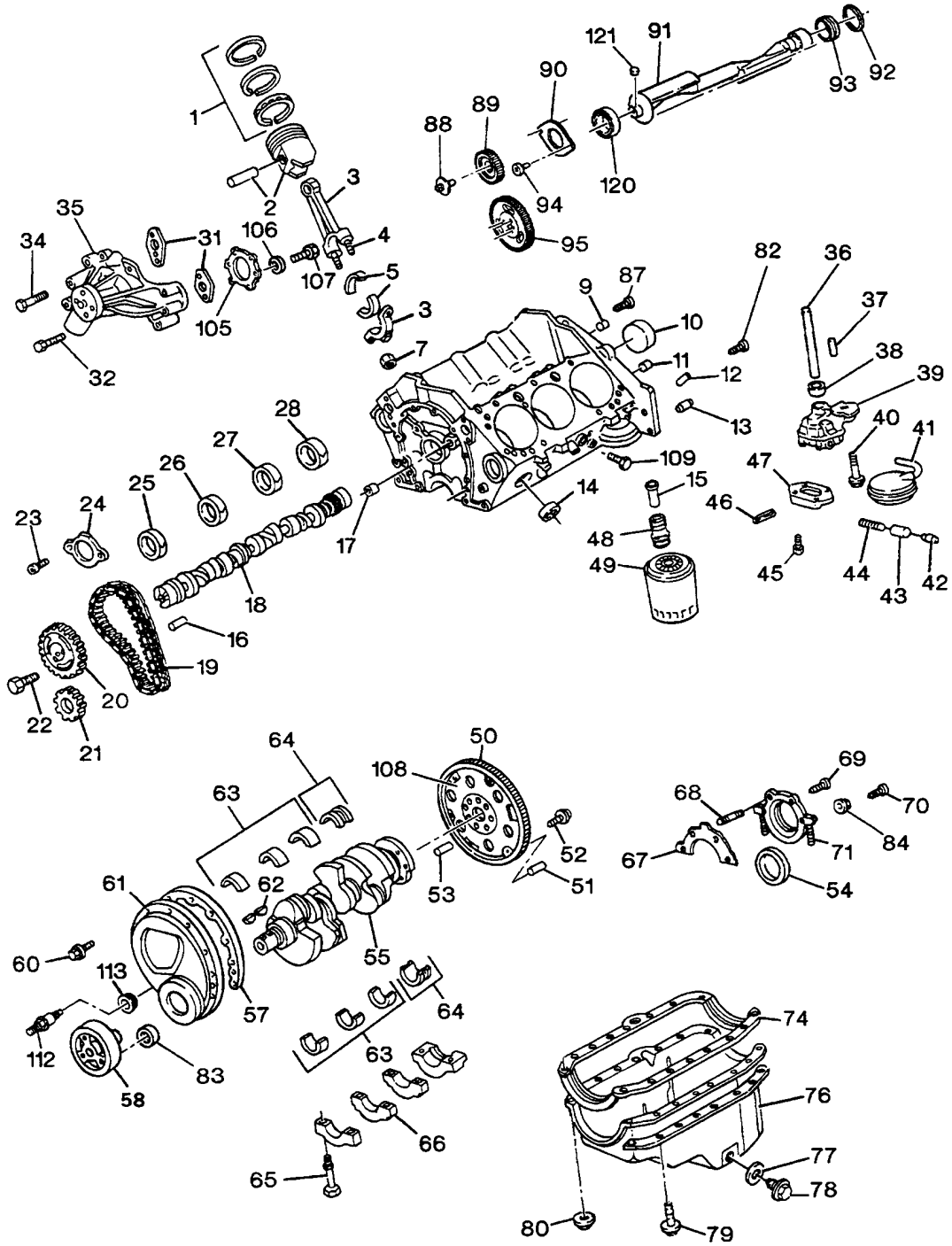
# 4.3L GAS ENGINE BLOCK AND ACCESSORIES



## 4.3L GAS ENGINE BLOCK AND ACCESSORIES

ITEM	PART NUMBER	DESCRIPTION	QTY
1	0A37970101	RING KIT, PISTON, STD	6
	0A37970102	RING KIT, PISTON, 0.50 MM O.S.	AR
2	0A37970103	PISTON KIT, STD	6
	0A37970104	PISTON KIT, 0.50 MM O.S.	AR
3	0A37970105	ROD, CONN (BOLTS, CAP, NUT & ROD)	6
4	0A37970106	BOLT, CONN ROD, 3/8-24 X 1/2 3/64 MM	12
5	0A37970107	BEARING KIT, CONN ROD, STD	6
7	0758720114	NUT, CONN ROD (PART OF 3)	12
9	0758720201	PLUG, ENG BLK OIL GAL RH (RR)	AR
	0830340138	PLUG, ENG BLK OIL GAL LH (RR)	AR
10	0A37970108	PLUG, CM/SHF RR BRG HOLE (8.970)	1
11	0758720156	PIN, CR/SHF RR OIL SEAL HSG LOC	1
12	0758720248	PIN, CYL HD LOC (5/16 X 9/16 STL)	4
13	0758720120	PIN, TRANS LOC (5/8 DIA, 1 32/16 LG)	2
14	0A37970240	PLUG, ENG BLK CORE HOLE	5
15	0A37970109	VALVE, OIL FILTER BYPASS	1
16	0A37970110	PIN, CM/SHF SPKT LOC	1
17	0758720180	PLUG, ENG BLK OIL GAL, FR (RH)	AR
	0A37970111	PLUG, ENG BLK OIL GAL, FR (LH)	AR
18	0A37970112	CAMSHAFT, ENG (1996-97)	1
	0A37970241	CAMSHAFT, ENG (1998-2001)	1
19	0A37970113	CHAIN, CAMSHAFT TIMING	1
20	0A37970114	SPROCKET, CAMSHAFT, (THRU 1999) (NOTE: 1999-2001 ORDER TIMING CHAIN KIT P/N 0A37970223)	1
21	0A37970115	SPROCKET, CRANKSHAFT (THRU 1999) (NOTE: 1999-2001 ORDER TIMING CHAIN KIT P/N 0A37970223)	1
22	0A37970116	BOLT, CAMSHAFT SPROCKET	AR
23	0A37970117	BOLT, CAMSHAFT RETAINER	2
24	0A37970118	RETAINER, CAMSHAFT	1
25	0A37970204	BEARING, CAMSHAFT (#1 POS)	1
26	0A37970205	BEARING, CAMSHAFT (#2 POS)(1997-2001) (IDENTIFIED BY I.D.# ON LEFT SIDE RR TRANS HOUSING FLANGE THAT STARTS WITH AN "A" FOLLOWED BY A 8 DIGIT #)	1
27	0A37970206	BEARING, CAMSHAFT (#2 POS)(1997-2001) (HOUSING FLANGE IS BLANK)	1
	0A37970205	BEARING, CAMSHAFT (#2 POS) (1996)	1
	0A37970205	BEARING, CAMSHAFT (#3 POS)(1997-2001) (HOUSING FLANGE IS BLANK)	1
	0A37970206	BEARING, CAMSHAFT (#3 POS)(1997-2001) (IDENTIFIED BY I.D.# ON LEFT SIDE RR TRANS HOUSING FLANGE THAT STARTS WITH AN "A" FOLLOWED BY A 8 DIGIT #)	1
	0A37970206	BEARING, CAMSHAFT (#3 POS) (1996)	1

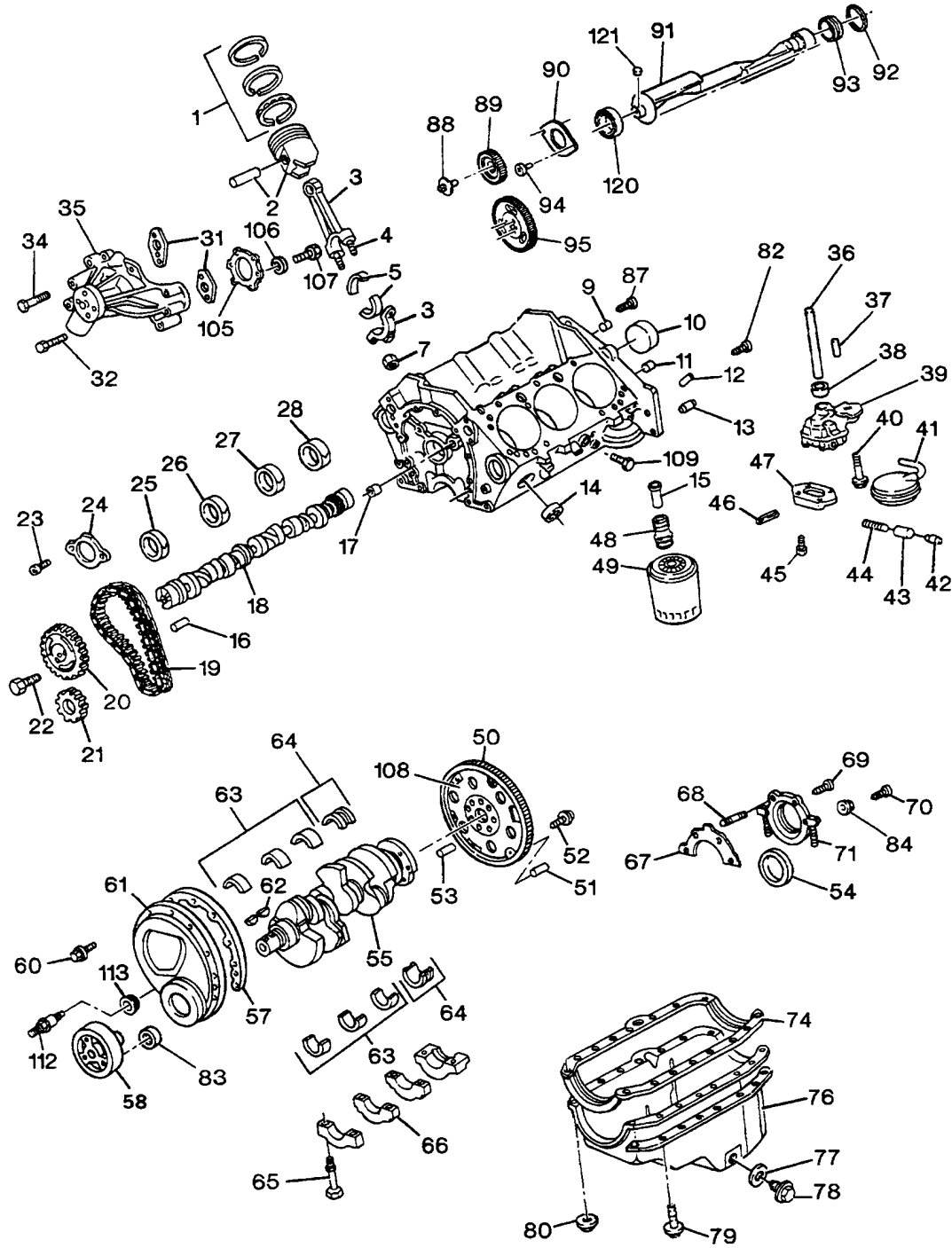
# 4.3L GAS ENGINE BLOCK AND ACCESSORIES



## 4.3L GAS ENGINE BLOCK AND ACCESSORIES

ITEM	PART NUMBER	DESCRIPTION	QTY
28	0A37970204	BEARING, CAMSHAFT (#4 POS RR POS)(1997-2001) (HOUSING FLANGE IS BLANK)	1
	0A37970205	BEARING, CAMSHAFT (#4 POS RR POS)(1997-2001) (IDENTIFIED BY I.D.# ON LEFT SIDE RR TRANS HOUSING FLANGE THAT STARTS WITH AN "A" FOLLOWED BY A 8 DIGIT #)	1
31	0A37970204	BEARING, CAMSHAFT (#4 POS RR POS)(1996)	1
32	0758720177	GASKET, WATER PUMP (PART OF 35)	2
32	0A37970119	BOLT, WATER PUMP (1996-2001) (3/8-16 X 2 1/8)	4
	0830340152	BOLT, WATER PUMP (2000) (3/8-16 X 1.0 X 2.75 LONG)	1
	0A37970242	BOLT, WATER PUMP (2000) (3/8-16 X 1 3/4 CAD)(HEX)	2
34	0A37970119	BOLT, WATER PUMP (1996-2001) (3/8-16 X 2 1/8)	1
	0A37970242	BOLT, WATER PUMP (2000-01) (3/8-16 X 1 3/4 CAD)(HEX)	1
35	0A37970120	PUMP KIT, WATER (NIPPLE & SEAL) (INCLUDES BOLT, BRG, CON, CVR, GASKT, HSG, HUB, IMPEL, LABEL)	1
36	0758720121	SHAFT, OIL PUMP DRIVE	1
37	0A37970121	PIN, OIL PUMP LOC	1
38	0758720123	RETAINER, OIL PUMP DRIVE SHAFT	1
39	0A37970122	PUMP, OIL	1
40	0758720129	BOLT, OIL PUMP	1
41	0A37970123	SCREEN, OIL PUMP	1
42	0758720126	PLUG, OIL PRESSURE RELIEF VALVE	1
43	0758720127	VALVE, OIL PRESSURE RELIEF	1
44	0758720128	SPRING, OIL PRESSURE RELIEF VALVE	1
45	0830340111	BOLT, OIL PUMP COVER	2
46	0758720140	PIN, OIL PRESURE RELIEF VALVE	1
47	0A37970124	COVER, OIL PUMP	1
48	0A37970125	FITTING, OIL FILTER	1
49	0A37970001	FILTER, OIL	1
50	0758720151	GEAR, FLYWHEEL RING	1
51	0758720150	PIN, FLYWHEEL	AR
52	0A37970126	BOLT, FLYWHEEL (7/16-20 X 45/64)	6
53	0758720155	PIN, FLYWHEEL LOCATING	1
54	0A37970127	SEAL, CR/SHAFT RR OIL (PART OF 71)(1997-98)	1
	0758720149	SEAL, CR/SHAFT RR OIL (PART OF 71)(1996)	1
	0A37970208	SEAL, CR/SHAFT RR OIL (PART OF 71)(1999-2001)	1
55	0A37970128	CRANKSHAFT (1996-98)	1
	0A37970209	CRANKSHAFT (1999-2001)	1
57	NS	NOT SERVICED SEPARATELY	
58	0A37970129	BALANCER, CRANKSHAFT	1
60	0A37970131	BOLT, ENG FRT COVER (CENTER)	2
61	0A37970132	COVER, ENG FRT (INCLUDES GASKET)	1
62	0A37970210	KEY, CRANKSHAFT BALANCER	1

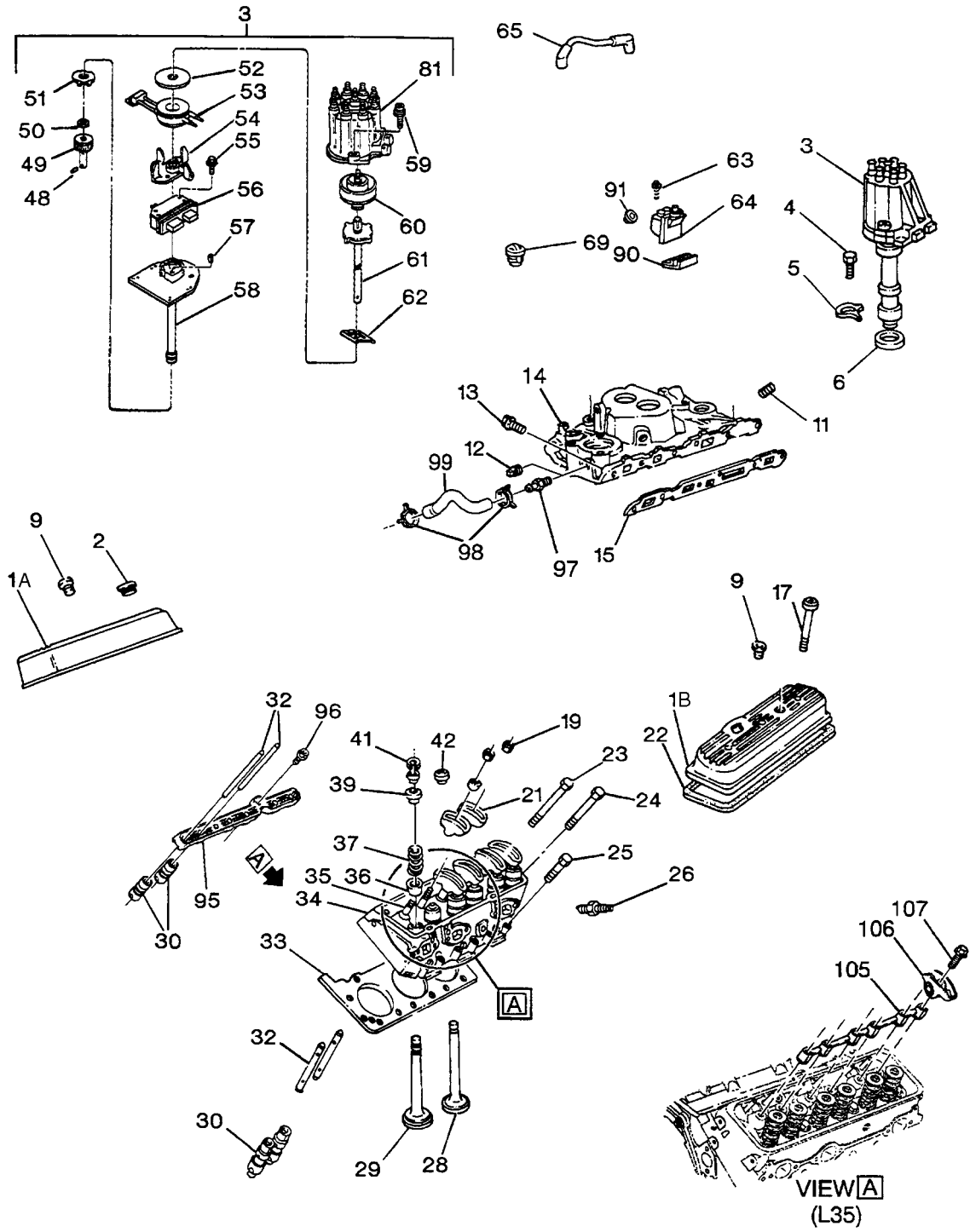
# 4.3L GAS ENGINE BLOCK AND ACCESSORIES



## 4.3L GAS ENGINE BLOCK AND ACCESSORIES

ITEM	PART NUMBER	DESCRIPTION	QTY
63	0A37970243	BEARING KIT, CRANKSHAFT (#1,2,3) (STD)	3
	0A37970244	BEARING KIT, CRANKSHAFT (#1,2,3) (.010 U.S.)	3
	0A37970211	BEARING KIT, CRANKSHAFT (#1,2,3) (.020 U.S.)	3
64	0A37970134	BEARING KIT, CRANKSHAFT (RR#4) (STD)	1
65	0A37970212	BOLT, CR/SHF BRG CAP (7/16-14)	10
66	N.S.	CAP, CR/SHF BRG	NA
67	0A37970213	GASKET, CR/SHF RR OIL SEAL HSG	1
68	0A37970135	STUD, CR/SHF RR OIL SEAL RET	2
69	0758720152	BOLT, CR/SHF RR OIL SEAL HSG	2
70	0758720148	BOLT, CR/SHF RR OIL SEAL HSG	1
71	0A37970136	HOUSING, CR/SHF RR OIL SEAL (1997-98)	1
	0A37970214	HOUSING, CR/SHF RR OIL SEAL (1999-2001)	1
74	0A37970137	GASKET, OIL PAN	1
76	0A37970215	PAN, OIL (1996-98)	1
	0A37970216	PAN, OIL (1999-2001)	1
77	0A37970217	SEAL, OIL PAN DRN PLUG	1
78	0A37970218	PLUG, OIL PAN DRN	1
79	0A37970139	BOLT, OIL PAN	10
80	0A37970140	NUT, OIL PAN	2
82	0A37970111	PLUG, ENG BLK OIL GAL (CUP 5/8 X 5/16)	1
	0757820180	PLUG, ENG BLK OIL GAL (CUP 15/32 X 5/16)	1
83	0A37970142	SEAL, CR/SHF FRT OIL	1
84	0758720147	NUT, CR/SHF RR OIL SEAL RET	1
87	0758720201	PLUG, KNOCK SEN HOLE	2
88	0A37970143	BOLT, BAL SHF GR	6
89	N.S.	GEAR, BALR SHF DRVN	NA
90	0A37970145	RETAINER, BALR SHF	1
91	0A37970146	BALANCER (INCL ITEM 121)	1
92	0A37970108	PLUG, BAL SHF RR BRG HOLE (CUP PLUG)	1
93	0A37970148	BEARING KIT, BALR SHF (INCL RR BRG INSTR SHT AND SPACER)	1
94	0A37970149	BOLT, BAL SHF RET	2
95	N.S.	GEAR, BAL SHF DRV	NA
105	0A37970219	GASKET, W/PMP CVR	1
106	0A37970150	WASHER, INT-EXT TOOTH	AR
107	0A37970151	BOLT, W/PMP CVR	10
108	0A37970152	FLYWHEEL, ENG (1996-98) (INCLS RING GEAR, LABEL & WEIGHTS)	1
	0A37970220	FLYWHEEL, ENG (1999-2001)	1
109	0A37970221	PLUG, ENG BLK COOL DRN	2
112	0A37970153	STUD, ENG FRT CVR (1995-97)	1
113	0A37970154	GROMMET, ENG FRT CVR	6
120	0A37970156	BEARING, BALR SHF FRT	1
121	N.S.	PIN, BALR SHF GR (PART OF ITEM 91)	NA
<b>SERVICE KITS</b>			
	0A37970222	GEAR KIT, BALR SHF (1997-2001) (INCLS DRIVE & DRIVEN GRS, ITEMS 89 & 95)	1
	0A37970223	CHAIN KIT, TMG (1999-2001) (INCLS CHAIN, CR/SHF SPROCKET, CM/SHF SPROCKET)	1

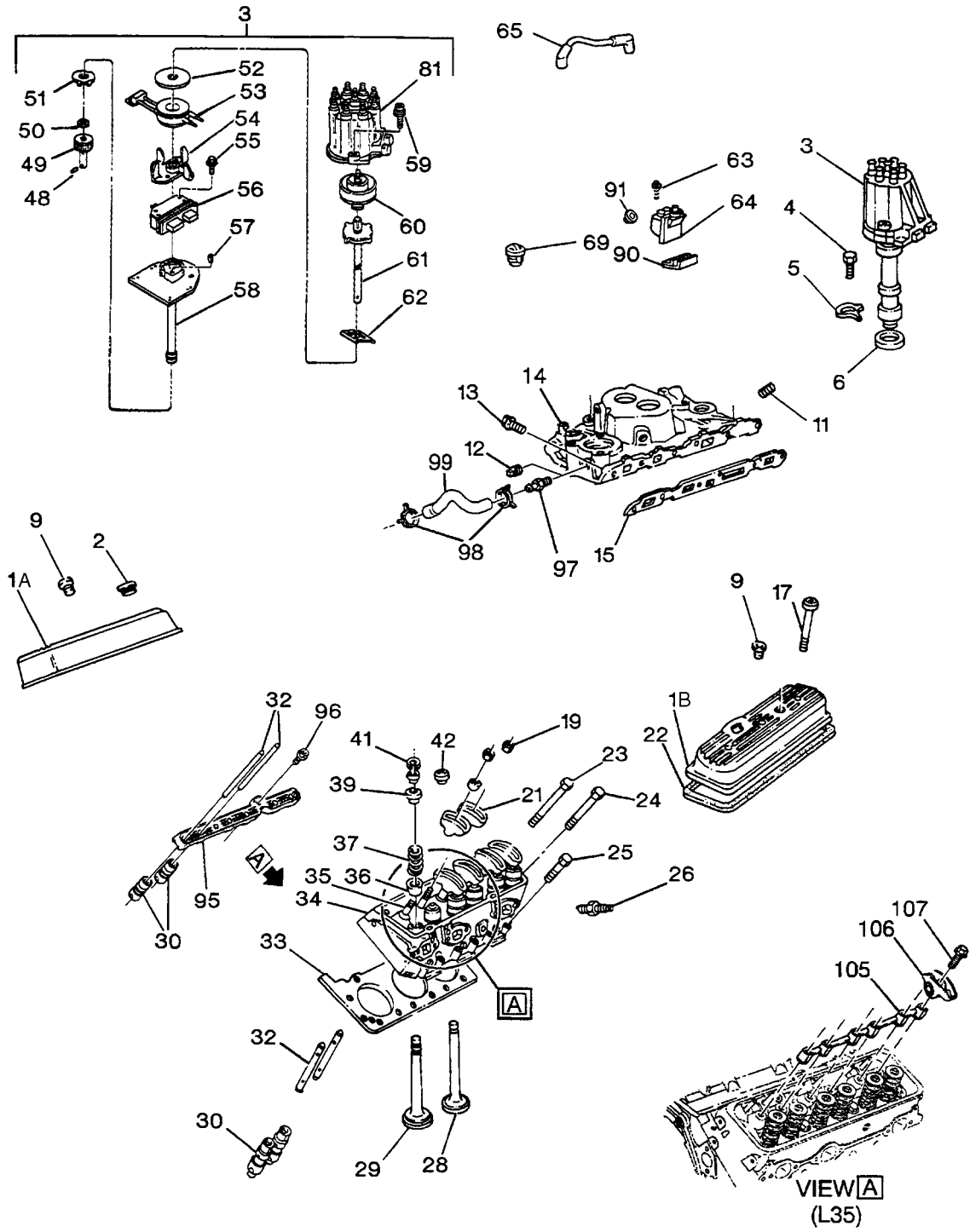
# 4.3L GAS UPPER END ENGINE PARTS



## 4.3L GAS UPPER END ENGINE PARTS

ITEM	PART NUMBER	DESCRIPTION	QTY
1A	0A37970159	COVER, VLV RKR ARM (RIGHT HAND) (INCLS BOLTS, COVER, DEFLECTOR, GSKT, GROMS & RETAINER)	1
1B	0A37970158	COVER, VLV RKR ARM (LEFT HAND) (INCLS BOLTS, COVER, DEFLECTOR, GSKT, GROMS & RETAINER)	1
2	0A37970160	CAP, OIL FILL	1
3	0A37970224	DISTRIBUTOR	1
4	0758720223	BOLT, DISTR CLAMP	1
5	0758720224	CLAMP, DISTR	1
6	0758720225	GASKET, DISTR	1
9	0A37970161	GROMMET, VLV RKR ARM CVR	6
11	0887780179	PLUG, INT MANIF VAC HOLE	AR
12	0758720236	PLUG, HTR HOSE NIP HOLE (1996-98)	2
13	0A37970162	BOLT, INT MANIF	8
14	0A37970163	MANIFOLD, INTAKE	1
15	0A37970164	GASKET KIT, INT MANIF	1
17	0A37970165	BOLT, VLV RKR ARM CVR	6
19	0A37970166	NUT, VLV RKR ARM (1996-2000) (PART OF 21, 34)	12
21	0A37970167	ARM KIT, VLV RKR (1996-99) (INCLS 19) (USED FOR CYL HEAD WITH NET LASH (NON-ADJUSTABLE) (ARM, BALL, NUT) (METRIC THREADS) (INCLS ARMS, BALL & NUT)	AR
	0A37970225	ARM, VLV RKR (2000-01)	12
22	0A37970168	GASKET, VLV RKR ARM CVR	2
23	0A37970169	BOLT, CYL HD (LONG)	10
24	0A37970170	BOLT, CYL HD (MEDIUM)	4
25	0A37970171	BOLT, CYL HD (SHORT)	10
26	0A37970172	SPARK PLUG	6
28	0A37970173	VALVE, EXH (STD)	6
	0A37970226	VALVE, EXH (.0305 O.S.)	6
29	0A37970174	VALVE, INT (STD)	6
30	0A37970175	LIFTER, VLV (STD)	12
32	0A37970176	ROD, VLV PUSH (INCLS INSERT)	12
33	0A37970177	GASKET, CYL HD	2
34	0A37970178	HEAD, CYL (1996-99)	2
	0A37970227	HEAD, CYL (2000-01)	2
35	0A37970179	STUD, VLV RKR ARM BALL (1996-99)	12
36	0A37970180	SEAL, INT VLV STEM OIL	6
37	0A37970182	SPRING, VLV	12
39	0A37970228	SEAL, EXH VLV STEM OIL	6
41	0A37970183	KEY, VLV STEM	24
42	0A37970184	CAP, VLV SPR	12
48	0A37970187	PIN, DISTR GR (1999-2001)	1
49	0A37970188	GEAR, DISTR SHF (PART OF 3)	1
50	0A37970189	WASHER, DISTR SHF (PART OF 3)	1
51	0758720209	WASHER, DISTR SHF THR (PART OF 3)	1
52	0A37970190	SHIELD, DISTR IGN PICK UP COIL (PART OF 3)	1
53	0A37970191	COIL, DISTR PICK UP (PART OF 3)	1
54	0A37970192	POLE PIECE & PLATE, DISTR (PART OF 3)	1
55	0887780223	BOLT, DISTR ICM (PART OF 3)	2

# 4.3L GAS UPPER END ENGINE PARTS

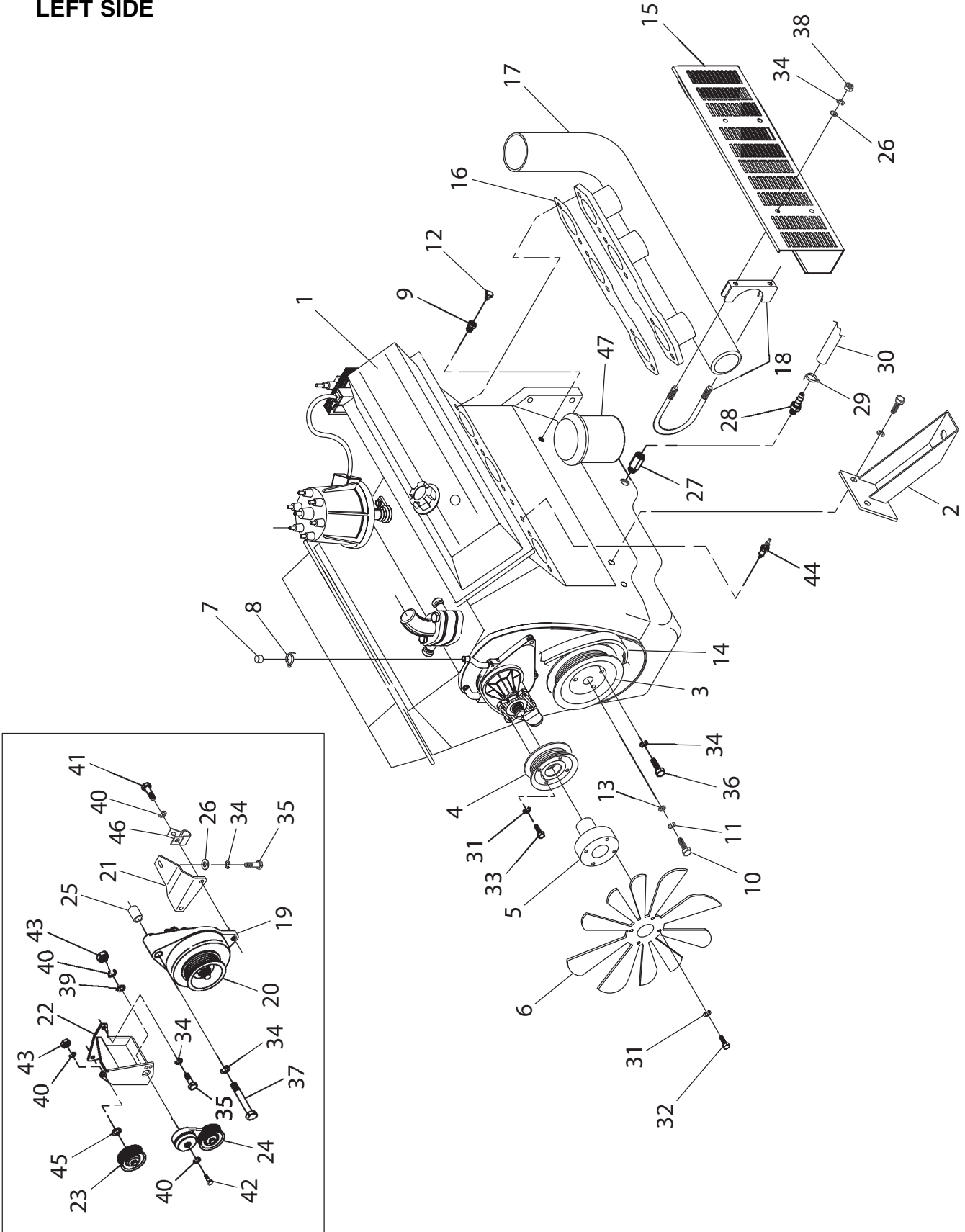


## 4.3L GAS UPPER END ENGINE PARTS

ITEM	PART NUMBER	DESCRIPTION	QTY
56	0A37970229	MODULE, DISTR IGN CONT (PART OF 3)	1
57	0887780221	PIN, DISTR IGN PICK UP POLE PIECE LOC (PART OF 3)	1
58	0A37970194	HOUSING, DISTR (PART OF 3)	1
59	0887780214	BOLT, DISTR CAP (PART OF 3)	2
60	0A37970195	ROTOR, DISTR (PART OF 3)	1
61	0A37970196	SHAFT, DISTR (PART OF 3)	1
62	0A37970230	RETAINER, DISTR IGN PICK UP COIL (1996-2000)	1
63	0A37970231	BOLT, IGN COIL	2
64	0A37970198	COIL, IGN	1
65	0A37970199	HARNESS, IGN COIL WRG (1996-98)	1
69	075885	THERMOSTAT, ENG COOL	1
81	0A37970201	CAP, DISTR (PART OF 3)	1
90	0A37970232	BRACKET, IGN COIL (TOP) (1996)	1
	0A37970233	BRACKET, IGN COIL (BOTTOM) (1996)	1
91	0A37970234	NUT, IGN COIL BRKT (1996)	2
95	0A37970202	GUIDE, VLV LFTR PUSH ROD (INCLS BOLTS)	2
96	0A37970186	BOLT, VLV LFTR GDE	4
97	0A37970235	NIPPLE, HTR INL HOSE	1
98	0A37970236	CLAMP, W/PMP INL HOSE	1
99	0A37970237	HOSE, W/PMP INL	1
105	0A37970238	SUPPORT, VLV RKR ARM PIV (2000-01)	2
106	0A37970225	ARM, VLV RKR (INCL 107) (2000-01)	12
107	N.S.	BOLT, VLV RKR ARM PIV (PART OF 106)	NA
	0A37970239	GASKET KIT, CYL HEAD	1
	0A37970164	GASKET KIT, INT MANIF (INCLS GASKETS & INST SH)	1

# 4.3L GAS ENGINE COMMON PARTS DIRECT DRIVE INDUSTRIAL UNITS

LEFT SIDE

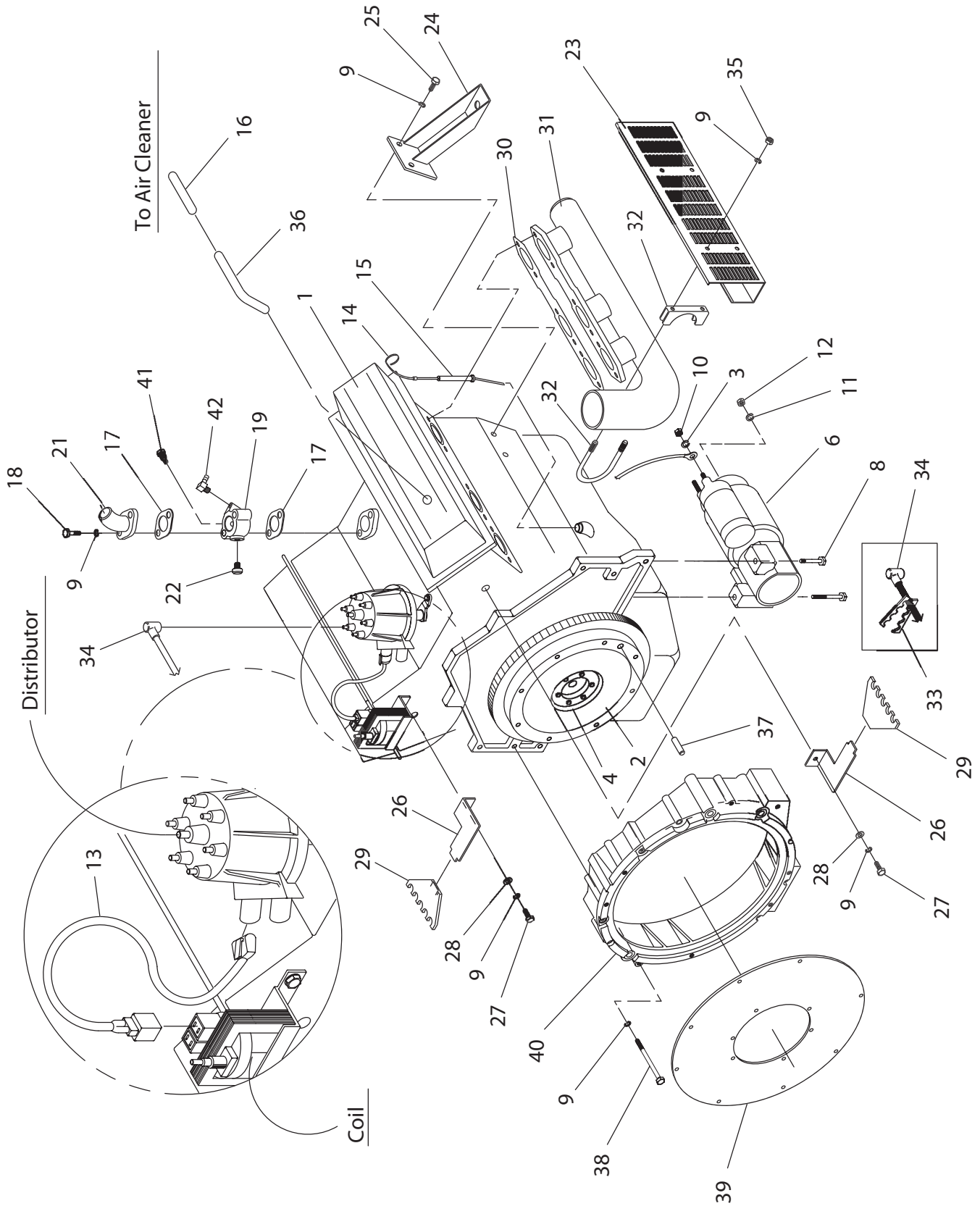


## 4.3L GAS ENGINE COMMON PARTS DIRECT DRIVE INDUSTRIAL UNITS

ITEM	PART NUMBER	DESCRIPTION	QTY
1	0A9046	ENGINE 4.3L GM	1
2	0A4084	MOUNT, ENGINE (R & L)	2
3	0A4239	PULLEY CRANKSHAFT	1
4	0A4240	PULLEY WATER PUMP	1
5	0A5640	SPACER FAN 50MM 4.3L (35KW UNITS ONLY)	1
	0A5640A	SPACER FAN 62MM (45KW UNITS ONLY)	1
6	0A5639	FAN 17" REVRs ROT (35KW UNITS ONLY)	1
	0D3293A	FAN COOLING 22" DIA REVRs ROT (45KW UNITS ONLY)	1
7	077996	CAP HOSE	1
8	057823	CLAMP HOSE #10 .56 - 1.06	1
9	035579	BUSHING REDUCER 1/4 TO 1/8	1
10	037065	SCREW HHC 7/16-20 X 2-1/4 G5	1
11	022302	WASHER LOCK 7/16	1
12	0A8584	SWITCH OIL PRESSURE	1
13	052644	SPACER .5 X 1.5 X .25 STL/ZINC	1
14	0A4278A	BELT SERPENTINE 72.5"	1
15	0A4930A	HEAT SHIELD LEFT	1
16	0A4085	GASKET EXHAUST MANIFOLD	1
17	0A3927	MANIFOLD LEFT EXHAUST	1
18	0C7947	BOLT U 3/8-16 X 2.50	2
19	0A1232	DC ALTERNATOR ASSEMBLY	1
20	0A7801B	PULLEY PLOY-V 82 OD.	1
21	021928	BRACKET ALT. SUPPORT	1
22	0C6239	BRACKET MOUNTING WELD ASSEMBLY	1
23	0A4241	PULLEY GROOVED IDLER	1
24	0C2885	PULLEY TENSIONER	1
25	0A5737C	SPACER DC ALTERNATOR 34MM	1
26	022131	WASHER FLAT 3/8-M10 ZINC	8
27	077456	ADAPTOR M12-1.75 3/8 NPT	1
28	044117	BARBED STRAIGHT 3/8 NPT X 5/8	1
29	057823	CLAMP HOSE #10 .56 - 1.06	1
30	057448	HOSE 5/8 ID TYPE 3 SINGLE (12")	1
31	022129	WASHER LOCK M8-5/16	8
32	022142	SCREW HHC 5/16-18 X 3/4 G5 (45KW)	4
33	048614	SCREW HHC 5/16-24 X 3/4 G5	4
34	022237	WASHER LOCK 3/8	12
35	029745	SCREW HHC 3/8-16 X 1 G5	4
36	042633	SCREW HHC 3/8-24 X 1 G5	3
37	033819	SCREW HHC 3/8-16 X 4 G5	1
38	022241	NUT HEX 3/8-16 STEEL	4
39	0A5768	WASHER FLAT HEAVY DUTY	1
40	046526	WASHER LOCK M10	5
41	049814	SCREW HHC M10-1.5 X 25 G8.8	2
42	0C3756	BOLT TENSIONER PULLEY	1
43	045772	NUT HEX M10-1.5 G8 YEL CHR	2
44	0A37970172	SPARK PLUG 4.3L GM	8
45	052259	WASHER FLAT M12	1
46	055934D	CLAMP VINYL 1.06 X .406 Z	1
47	0A37970001	FILTER OIL	1

# 4.3L GAS ENGINE COMMON PARTS DIRECT DRIVE INDUSTRIAL UNITS

RIGHT SIDE



## 4.3L GAS ENGINE COMMON PARTS DIRECT DRIVE INDUSTRIAL UNITS

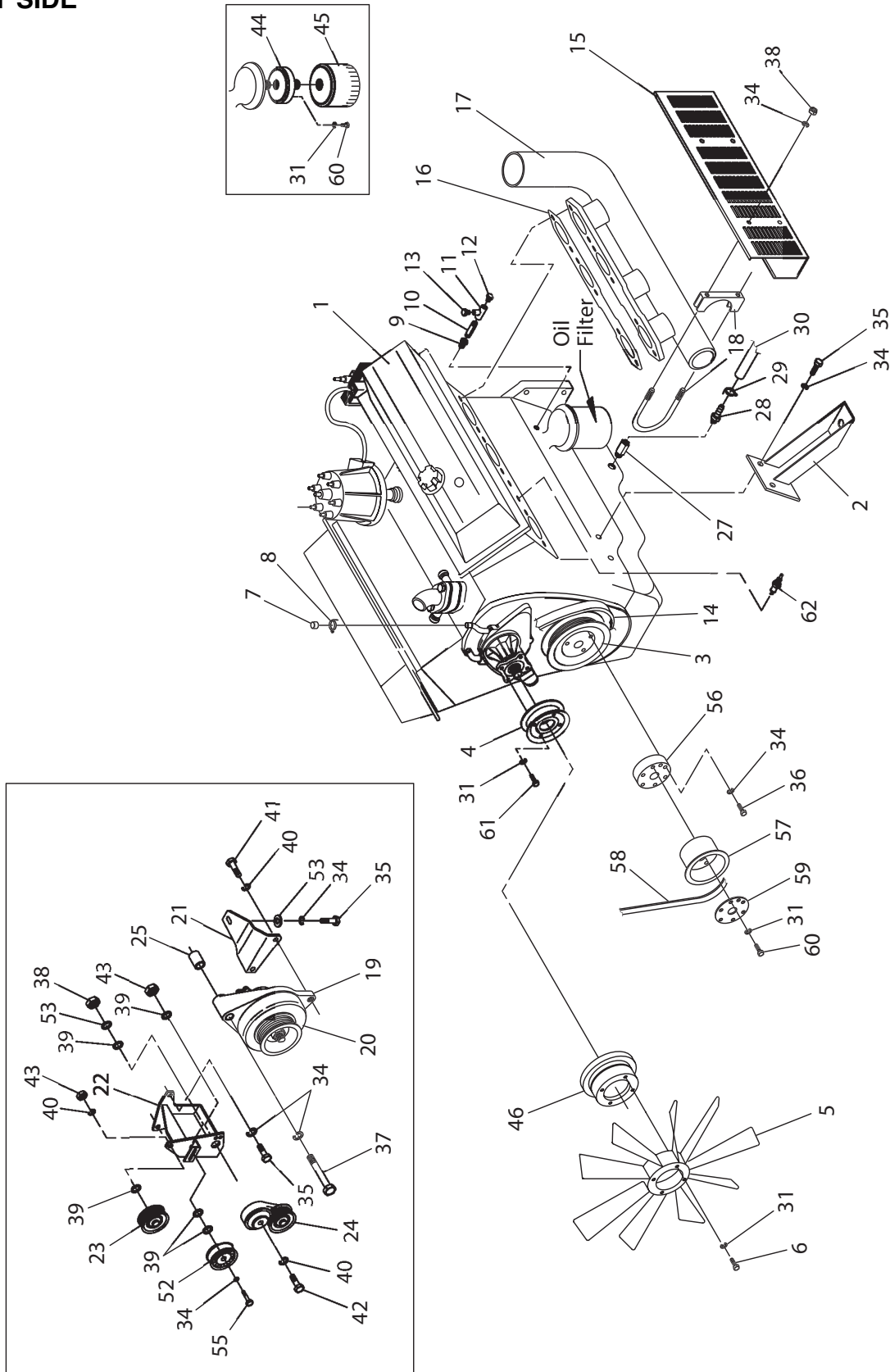
ITEM	PART NUMBER	DESCRIPTION	QTY
1	0A9046	ENGINE, 4.3L GM	1
2	0A3849A	FLYWHEEL 4.3L GM SAE	1
3	070022	WASHER STAR M12 EXT	1
4	0A6021	SCREW HHC 7/16-20 X 1 G8	6
6	059056A	STARTER 5.7L/7.4L GM	1
8	058385A	STARTER BOLT GM 4-1/4"	2
9	022237	WASHER LOCK 3/8	17
10	045772	NUT HEX M10-1.5 G8 YEL CHR	1
11	049226	WASHER LOCK M5	1
12	051716	NUT HEX M5-0.8 G8 YEL CHR	1
13	0A4244	CONNECTOR COIL TO DISTRIBUTOR	1
14	0A4215	DIP STICK 4.3L GM	1
15	0A4231	TUBE DIP STICK 4.3L	1
16	059057	HOSE 3/4 ID SAE-30R2 (10" LG.)	1
17	0A2440	GASKET THERMOSTAT	2
18	026568	SCREW HHC 3/8-16 X 2-3/4 G5	2
19	099729A	HOUSING THERM IMPREX	1
21	069939	HOUSING THERMOSTAT/WATER INLET	1
22	035606	SENSOR HI COOLANT SHUTDOWN	1
23	0A4930B	HEAT SHIELD RIGHT	1
24	0A4084	MOUNT ENGINE (R & L)	2
25	029745	SCREW HHC 3/8-16 X 1 G5	3
26	044101	SUPPORT BRACKET SPARK PLUG WIRE	2
27	023152	SCREW HHC 3/8-16 X 3/4 G5	2
28	022131	WASHER FLAT 3/8-M10 ZINC	2
29	058030	RETAINER PLUG WIRES	2
30	0A4085	GASKET EXHAUST MANIFOLD	1
31	0A3928	MANIFOLD RIGHT EXHAUST	1
32	0C7947	BOLT U 3/8-16 X 2.50	2
33	057794	RETAINER SPARK PLUG WIRES	2
34	0A4277	WIRES SPARK PLUG 4.3L	1
35	022241	NUT HEX 3/8-16 STEEL	4
36	057795	CONNECTOR C/C VENT	1
37	048191	PIN DOWEL M10 X 24	2
38	032303	SCREW HHC 3/8-16 X 3-1/2 G5	6
39	0A3852	PLATE FLEX GM	3
40	098239	CASTING ADAPTOR	1
41	057522	SENSOR COOLANT LEVEL	1
42	034339	BARBED EL 90 3/8 NPT X 5/8	1
**43	074908	SCREW HHTT M5-0.8 X 10 BP (NOT SHOWN)	1
**44	0536210163	WIRE ASSEMBLY (NOT SHOWN)	1

\* HARNESS #0A4308 4.3L STD WIRE (NOT SHOWN)

\*\* ITEMS #43 & #44 (NOT SHOWN) ARE ATTACHED TO THE THERMOSTAT SPACER (#19)

# 4.3L GAS ENGINE COMMON PARTS GEAR BOX INDUSTRIAL UNITS

LEFT SIDE

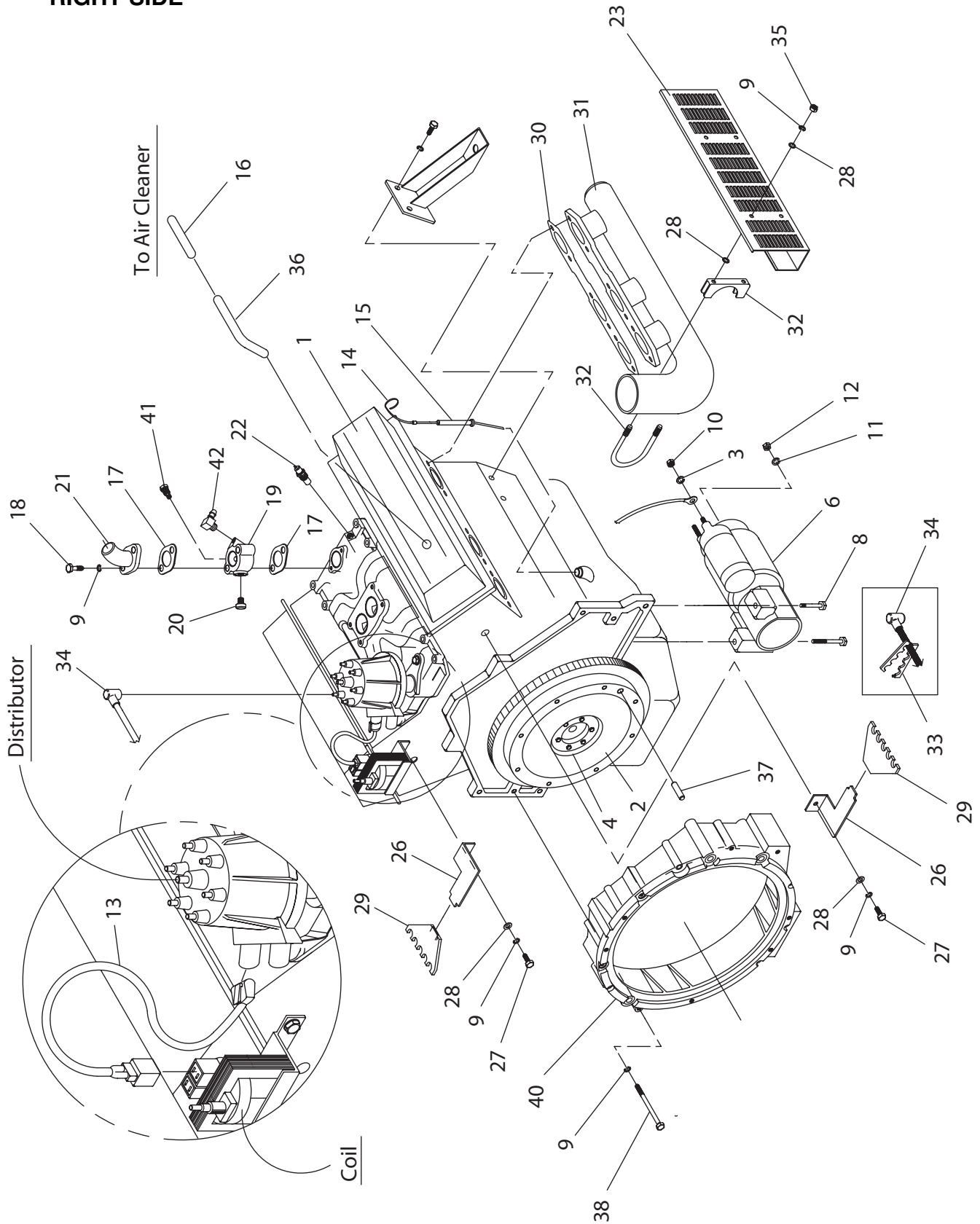


## 4.3L GAS ENGINE COMMON PARTS GEAR BOX INDUSTRIAL UNITS

ITEM	PART NUMBER	DESCRIPTION	QTY
1	0A5374	ENGINE 4.3L VORTEC	1
2	0A4038	MOUNT ENGINE	1
3	0A4239	PULLEY CRANKSHAFT	1
4	0A4240	PULLEY WATER PUMP	1
5	0A4246	FAN	1
6	042907	SCREW HHC M8-1.25 X 16 G8.8	4
7	077996	CAP , HOSE	1
8	035473	CLAMP HOSE #12 .50 - 1.25	1
9	035579	BUSHING REDUCER 1/4 TO 1/8	1
10	035578	NIPPLE CLOSE 1/8 NPT	1
11	035430	PIPE TEE 1/8 NPT	1
12	0A8584	SWITCH OIL PRESSURE	1
13	053666	SENDER OIL PRESSURE	1
14	0A4278B	SERPENTINE BELT 72-1/2	1
15	0A4930A	HEAT SHIELD, LEFT	1
16	0A4085	GASKET EXHAUST MANIFOLD	1
17	0A3927	MANIFOLD, LEFT EXHAUST	1
18	0C7947	U-BOLT, 3/8-16 X 2.50	2
19	0A1232	DC ALTERNATOR ASSY	1
20	0A7801A	PULLEY POLY-V 134 OD	1
21	021928	BRACKET,ALT. SUPPORT	1
22	0D4746	WELDMENT, MOUNTING BRACKET	1
23	0A4241	PULLEY, GROOVED IDLER	1
24	0C2885	PULLEY TENSIONER	1
25	0A4100G	SPACER, DC ALTERNATOR, 32MM	1
27	077456	ADAPTOR M12-1.75 - 3/8 NPT	1
28	044117	BARB STRAIGHT 3/8 NPT X 5/8	1
29	057823	CLAMP HOSE #10 .56 - 1.06	1
30	057448	HOSE 5/8 ID TYP 3 SNGL	1
31	022129	WASHER LOCK M8-5/16	14
34	022237	WASHER LOCK 3/8	15
35	029745	SCREW HHC 3/8-16 X 1 G5	7
36	042633	SCREW HHC 3/8-24 X 1 G5	3
37	033819	SCREW HHC 3/8-16 X 4 G5	1
38	022241	NUT HEX 3/8-16 STEEL	5
39	0A5768	WASHER FLAT HEAVY DUTY	5
40	046526	WASHER LOCK M10	5
41	049814	SCREW HHC M10-1.5 X 25 G8.8	2
42	0C3756A	BOLT, TENSIONER PULLEY GB.	1
43	045772	NUT HEX M10-1.5 G8 YEL CHR	2
44	0A4247A	ADAPTOR OIL FILTER RELOCATION	1
45	0A37970001	OIL FILTER	1
46	0D4744	ASSEMBLY, FAN DRIVE	1
52	0A5265	IDLER PULLEY	1
53	022131	WASHER FLAT M10-3/8 ZINC	6
55	022146	SCREW HHC 3/8-16 X 1-3/4 G5	1
56	0D4741	SPACER, DRIVE PULLEY	1
57	0A5070	PULLEY V-BELT-75KW	1
	0A5979	PULLEY V-BELT-60KW	1
58	0A5264	V-BELT 3/8 X 41	1
59	0A5650	PLATE, PULLEY REINFORCEMENT	1
60	030795	SCREW HHC 5/16-18 X 1 G5	4
61	023258	SCREW HHC 5/16-18 X 3-1/4 G5	2
62	0A37970172	SPARK PLUG, 4.3L GM	8

# 4.3L GAS ENGINE COMMON PARTS GEAR BOX INDUSTRIAL UNITS

RIGHT SIDE



## 4.3L GAS ENGINE COMMON PARTS GEAR BOX INDUSTRIAL UNITS

ITEM	PART NUMBER	DESCRIPTION	QTY
1	0A9046	ENGINE, 4.3L GM	1
2	0A3849A	FLYWHEEL 4.3L GM SAE	1
3	070022	WASHER STAR M12 EXT	1
4	0A6021	SCREW HHC 7/16-20 X 1 G8	6
6	059056A	STARTER 5.7L/7.4L GM	1
8	058385A	BOLT STARTER GM 4-1/4"	2
9	022237	WASHER LOCK 3/8	14
10	045772	NUT HEX M10-1.5 G8 YEL CHR	1
11	049226	WASHER LOCK M5	1
12	051716	NUT HEX M5-0.8 G8 YEL CHR	1
13	0A4244	CONNECTOR COIL TO DISTRIBUTOR	1
14	0A4215	DIP STICK 4.3L GM	1
15	0A4231	TUBE DIP STICK 4.3L	1
16	059057	HOSE 3/4 ID SAE-30R2	10"
17	0A2440	GASKET THERMOSTAT	2
18	026568	SCREW HHC 3/8-16 X 2-3/4 G5	2
19	099729A	HOUSING THERM IMPREX	1
20	053667	SENDER WATER TEMPERATURE	1
21	069939	HOUSING THERMOSTAT/WATER INLET	1
22	035606	SENSOR HI COOLANT SHUTDOWN	1
23	0A4930B	HEAT SHIELD RIGHT	1
26	044101	SUPPORT BRACKET SPARK PLUG WIRE	2
27	023152	SCREW HHC 3/8-16 X 3/4 G5	2
28	022131	WASHER FLAT 3/8-M10 ZINC	10
29	058030	RETAINER PLUG WIRES	2
30	0A4085	GASKET EXHAUST MANIFOLD	1
31	0A3928	MANIFOLD RIGHT EXHAUST	1
32	0C7947	BOLT U 3/8-16 X 2.50	2
33	057794	RETAINER SPARK PLUG WIRES	2
34	0A4277	WIRES SPARK PLUG	1
35	022241	NUT HEX 3/8-16 STEEL	4
36	057795	CONNECTOR C/C VENT	1
37	048191	PIN DOWEL M10 X 24	2
38	032303	SCREW HHC 3/8-16 X 3-1/2 G5	6
40	098239	CASTING ADAPTOR	1
41	057522	SENSOR COOLANT LEVEL	1
42	034339	BARBED EL 90 3/8 NPT X 5/8	1
**43	074908	SCREW HHTT M5-0.8 X 10 BP (NOT SHOWN)	1
**44	0536210163	WIRE ASSEMBLY (NOT SHOWN)	1

\* HARNESS #0A4308 4.3L STD WIRE (NOT SHOWN)

\*\* ITEMS #43 & #44 (NOTSHOWN) ARE ATTACHED TO THE THERMOSTAT SPACER (#19).

