

Repair Parts MANUAL

5.0 Liter

GAS/GASOLINE ENGINE

GENERAC

P. O. Box 8
PHONE: (414) 544-4811

Waukesha, WI 53187
FAX: (414) 544-4851

Table of Contents

Quick Reference Parts Guide	Page 1
Torque Specifications	Page 1
Short Block and Related Parts	Page 2, 3
Cylinder Heads & Intake Manifold Parts.....	Page 4, 5

QUICK REFERENCE PARTS GUIDE

Tune-Up Parts

DESCRIPTION	PART NUMBER	QTY
Oil Filter	55505	1
Fuel Filter	29608	1
Air Filter	60834	1
V-Belt	59324	1
Spark Plug	59503	8

Engine Parts

DESCRIPTION	PART NUMBER	QTY
Piston w/Pin (STD)	102-75872	8
Piston Ring Kit (STD)	105-75872	8
Rear Main Seal	169-88778	1
Valve Lifter	250-88778	16
Cam Sprocket	196-75872	1
Crank Sprocket	169-75872	1
Timing Chain	197-75872	1
Connecting Rod Bearing (STD)	105-88778	8
Main Bearing	161-75872	1

Recommended Bolt Torque and Lubricant Specifications

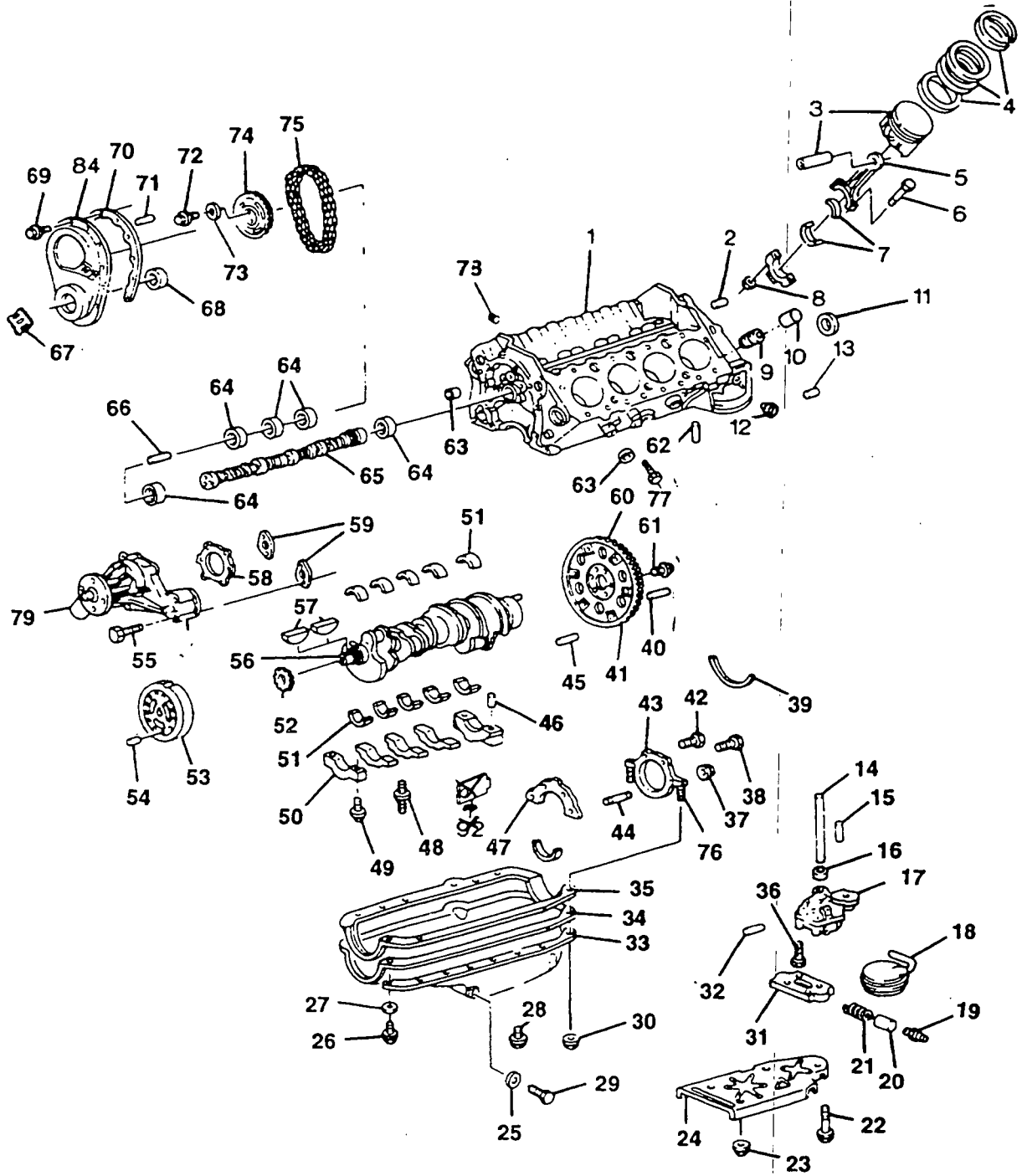
NAME OF PART	TORQUE	LUBRICANT
Inner Main Bearing	70 Ft-Lb	Molykote
Outer Main Bearing	65 Ft-Lb	Molykote
Connecting Rod Bolt (3/8")	45-50 Ft-Lb*	Oil
Connecting Rod Bolt (7/16")	70 Ft-Lb**	Oil
Cylinder Head Bolt	65 Ft-Lb	Sealant
Rocker Arm Stud (Cast Iron Head)	50 Ft-Lb	Sealant
Camshaft Sprocket	20 Ft-Lb	Oil
Intake Manifold	30 Ft-Lb	Oil
Flywheel	60 Ft-Lb	Oil
Spark Plugs	25 Ft-Lb	Dry
Exhaust Manifold	25 Ft-Lb	Anti-Seize
Oil Pan Bolts	165 In-Lb	Oil
Front Cover Bolts	75 In-Lb	Oil
Rocker Cover	25 In-Lb	Oil

* For 3/8" connecting rod bolts, a 0.006 inch stretch is preferred.

** For 7/16 inch connecting rod bolts, a 0.005-0.006 inch stretch is preferred.

SHORT BLOCK AND RELATED PARTS

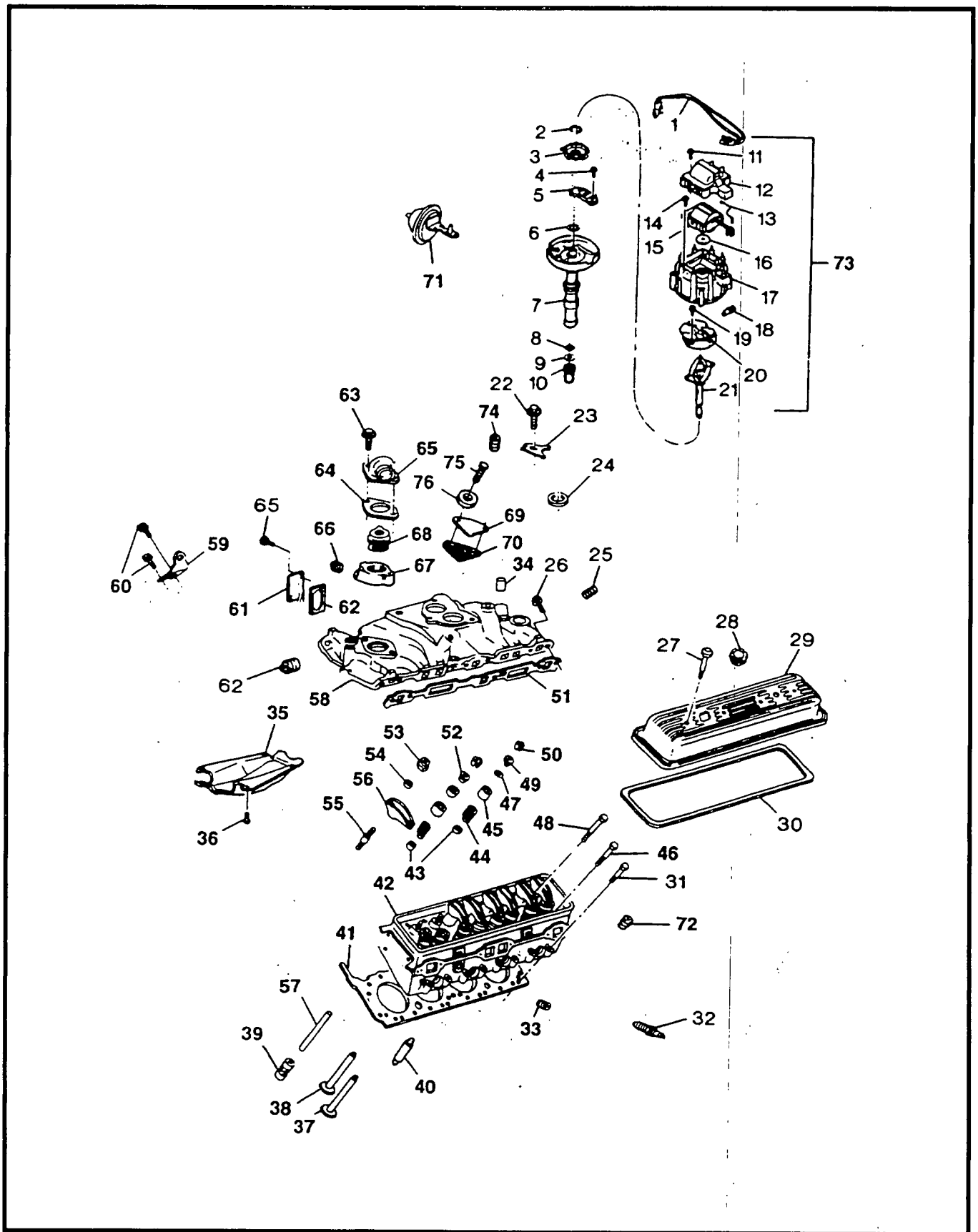
Engine Part No. 75872



SHORT BLOCK AND RELATED PARTS

ITEM	PART NO.	YEAR	DESCRIPTION	ITEM	PART NO.	YEAR	DESCRIPTION
1	100-75872	91-94	Partial Engine	41	151-75872	91-94	Flywheel Ring Gear
2	101-75872	91-94	Plug- Engine Block Oil Gallery	42	152-75872	91-94	Bolt (Crankshaft RR Oil Seal Housing)
3	102-75872	91-94	Piston with Pin	43	163-88778	91-94	Retainer (Crankshaft RR Oil Seal) (Includes Items 32, 35)
	103-75872	91-94	Piston (High Limit)	44	154-75872	91-94	Stud (Crankshaft Oil Flywheel Pin)
	104-75872	91-94	Piston (0.030 OS)	45	155-75872	91-94	Pin (Crankshaft RR Oil Seal Housing)
4	105-75872	91-94	Piston Ring Kit (STD)	46	162-88778	91-94	Gasket (Crankshaft RR Oil Seal Housing)
	106-75872	91-94	Piston Ring Kit (0.030 OS)	47	166-88778	91-94	Crankshaft Bearing Cap Stud
5	107-75872	91-94	Connecting Rod (Includes Items 6, 8)	48	158-75872	91-94	Crankshaft Bearing Cap Bolt
6	108-75872	91-94	Connecting Rod Bolt (Part of Item 5)	49	159-75872	91-94	Crankshaft Bearing Cap
7	105-88778	91-94	Bearing Kit (STD)	50	160-75872	91-94	Crankshaft Bearing Kit (STD)
	106-88778	91-94	Bearing Kit (0.001 US)	51	161-75872	91-94	Crankshaft Bearing Kit (0.001 US)
	111-75872	91-94	Bearing Kit (0.002 US)		162-75872	91-94	Crankshaft Bearing Kit (0.002 US)
	112-75872	91-94	Bearing Kit (0.010 US)		163-75872	91-94	Crankshaft Bearing Kit (0.010 US)
	113-75872	91-94	Bearing Kit (0.020 US)		164-75872	91-94	Crankshaft Bearing Kit (STD)
8	114-75872	91-94	Connecting Rod Nut (Part of Item 5)		165-75872	91-94	Crankshaft Bearing Kit (0.001 US)
9	115-75872	91-92	Plug, Engine Oil Pressure Gallery		166-75872	91-94	Crankshaft Bearing Kit (0.002 US)
	116-75872	93-94	Plug, Engine Oil Pressure Gallery		167-75872	91-94	Crankshaft Bearing Kit (0.001 US)
10	117-75872	91-94	Expansion Plug (Eng. Block Oil Gallery)		168-75872	91-94	Crankshaft Bearing Kit (0.010 US)
11	118-75872	91-94	Plug Expansion Cup		169-75872	91-94	Crankshaft Sprocket
12	119-75872	91-94	Lug- Engine Block Oil Gallery	52	170-75872	91-94	Crankshaft Torsional Damper Pin
13	177-75872	91-94	Dowel Pin	53		91-94	Water Pump Bolt
14	121-75872	91-94	Oil Pump Drive Shaft	54	150-75872	91-94	Crankshaft (Includes Item 45)
15	122-75872	91-94	Oil Pump Pin	55	172-75872	91-94	Woodruff Key- No. 9
16	123-75872	91-94	Oil Pump Drive Shaft Retainer	56	174-75872	91-94	Water Pump Cover Gasket
17	124-75872	91-94	Oil Pump (Includes Items 19,20,21,31,32,36)	57	117-75872	91-94	Water Pump Gasket
18	125-75872	91-94	Oil Pump Screen	58	176-75872	91-94	Engine Flywheel
19	126-75872	91-94	Plug (for oil press. relief valve bore)	59	177-75872	91-94	Flywheel Bolt
20	127-75872	91-94	Oil Pressure Relief Valve	60	178-75872	91-94	Plug (Block Oil Gallery)
21	128-75872	91-94	Oil Pressure Relief Valve Spring	61	179-75872	91-94	Plug (Block Core Hole)
22	129-75872	91-94	Oil Pump Bolt	62	180-75872	91-94	No. 1 Camshaft Bearing
23	130-75872	91-94	Nut (Crankshaft oil Deflector)	63	213-88778	91-94	No. 2 Camshaft Bearing
24	131-75872	91-94	Crankshaft Oil Deflector	64	183-75872	91-94	No. 3, 4 Camshaft Camshaft
25	142-88778	91-94	Oil Pan Drain Plug Gasket (Part of Item 34)	65	186-75872	91-94	Pin (Camshaft Gear Locator)
26	151-88778	91-94	Oil Pan Bolt	66	122-75872	91-94	Timing Indicator
27	134-75872	91-94	Washer	67	188-75872	91-94	Crankshaft Front Oil Plug (Block Core Hole)
28	135-75872	91-94	Oil Pan Bolt	68	133-88778	91-94	Engine Front Cover Gasket
29	136-75872	91	Oil Drain Plug (Part of Item 34)	69	154-88778	91-94	Pin(Front Cover Gasket)
	141-88778	92-94	Oil Drain Plug (Part of Item 34)	70	192-75872	91-94	Camshaft Sprocket Bolt
30	138-75872	91-94	Oil Pan Nut	71	122-75872	91-94	Camshaft Sprocket Washer
31	139-75872	91-94	Oil Pump Cover (Part of Item 17, Includes Items 19,20,21,32)	72	151-88778	91-94	Camshaft Sprocket Timing Chain
32	158-88778	91-94	Pin, Oil Pressure Relief Valve Spring (Part of Items 17,31)	73	134-75872	91-94	Stud (Crankshaft RR Oil Seal Retainer)
33	141-75872	91-94	Oil Pan Reinforcement LH (May need rework when used with LH Knock Sensor)	74	196-75872	91-94	Plug (Block Coolant Drain Hole)
	141-75872	91-94	Oil Pan Reinforcement, RH	75	197-75872	91-94	Plug
34	143-75872	91-94	Oil Pan (Inc. Items 25,29)	76	168-88778	91-94	Water Pump
35	144-75872	91-92	Oil Pan Gasket	77	201-75872	91-94	
	145-75872	93-94	Oil Pan Gasket	78	201-75872	91-94	
36	146-75872	91-94	Bolt- Oil Pump Cover	79	173-75872	91-94	
37	147-75872	91-94	Nut (Crankshaft RR Oil Seal Housing)				
38	148-75872	91-94	Bolt (Crankshaft RR Oil Seal Housing)				
39	169-88778	91-94	Oil Seal (Crankshaft RR)				
40	150-75872	91-94	Groove Pin (Flywheel)				

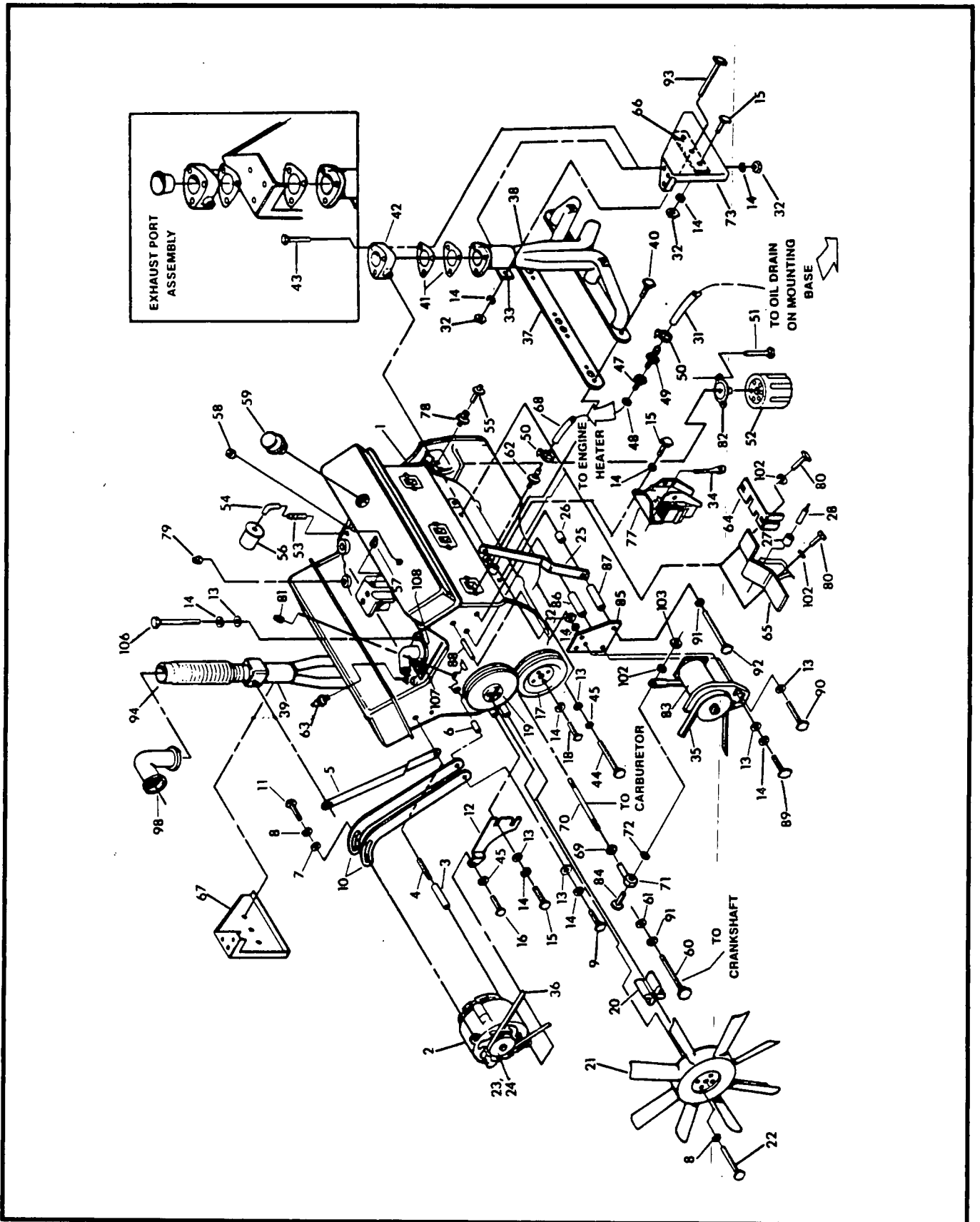
CYLINDER HEADS & INTAKE MANIFOLD PARTS



CYLINDER HEADS & INTAKE MANIFOLD PARTS

ITEM	PART NO.	YEAR	DESCRIPTION	ITEM	PART NO.	YEAR	DESCRIPTION
1	202-75872	91-94	Distributor Harness	39	250-88778	91-94	Valve Lifter
2	203-75872	91-94	Distributor Pole PC Retainer (Part of 73)	40	123-88778	91-94	Dowel Pin (Cylinder Head Locator)
3	204-75872	91-94	Distributor Pickup Pole Piece (Part of 73)	41	249-75872	91-94	Cylinder Head Gasket
4	205-75872	91-94	Distributor Coil Bolt (Part of 73)	43	251-75872	91	Seal- Intake Valve Stem STD (First Design)
5	206-75872	91-94	Distributor Ignition Control Module (Part of 73)		252-75872	91	Seal- Intake Valve Stem 0.015 OS (First Design)
6	207-75872	91-94	Ignition Coil Seal (Part of 73)		253-75872	91	Seal- Intake Valve Stem 0.030 OS (First Design)
7	208-75872	91-94	Distributor Housing (Part of 73)		254-75872	92-94	Seal- Intake Valve Stem STD (Second Design)
8	209-75872	91-94	Washer (Part of 73)		255-75872	91	Seal- Exhaust Valve Stem 0.0305 OS
9	210-75872	91-94	Washer (Part of 73)		256-75872	92-94	Seal- Exhaust Valve Stem
10	211-75872	91-94	Gear (Part of 73)	44	257-75872	91-94	Valve Spring
11	212-75872	91-94	Distributor Cap Bolt (Part of 73)	45	258-88778	91-94	Valve Stem Oil Shield
12	213-75872	91-94	Distributor Cover (Part of 73)	46	259-75872	91-94	Cylinder Head Bolt
13	214-75872	91-94	Wire (Part of 73)	47	254-88778	91-94	Valve Stem Oil Seal (Exhaust and Intake)
14	215-75872	91-94	Ignition Coil Bolt	48	261-75872	91-94	Cylinder Head Bolt
15	216-75872	91-94	Distributor Coil (Part of 73)	49	262-75872	91-94	Valve Spring Cap
16	217-75872	91-94	Ignition Coil Cover Seal (Part of 73)	50	263-75872	91-94	Valve Stem Key
17	218-75872	91-94	Distributor Cap (Part of 73)	51	264-75872	91-94	Intake Manifold Gasket
18	219-75872	91-94	Distributor Cap Brush (Part of 73)	52	263-88778	91-94	Exhaust Valve Rotator
19	220-75872	91-94	Bolt (Part of 73)	53	266-75872	91-94	Rocker Arm Nut (Adjustable)- Part of 56)
20	221-75872	91-94	Distributor Rotor (Part of 73)	54	267-75872	91-94	Rocker Arm Ball (Part of 56)
21	222-75872	91-94	Distributor Shaft (Part of 73)	55	252-88778	91-94	Rocker Arm Ball Stud 0.003 OS
22	223-75872	91-94	Bolt		253-88778	91-94	Rocker Arm Ball Stud 0.013 OS
23	224-75872	91-94	Distributor Clamp	56	270-75872	91-94	Rocker Arm (Includes 53, 54)
24	225-75872	91-94	Distributor Gasket	57	271-75872	91-94	Push Rod
25	226-75872	91-94	Plug	58	272-75872	91-94	Intake Manifold
26	227-75872	91-94	Intake Manifold Bolt	59	273-75872	91-94	Engine Lift Front Bracket
27	228-75872	91-94	Rocker Arm Cover Bolt	60	274-75872	91-94	Intake Manifold Bolt
28	229-75872	91-94	Oil Filler Cap	61	276-75872	91-94	Carburetor Choke Cover
29	230-75872	91-94	Rocker Arm Cover (RH)	62	277-75872	91-94	Carburetor Choke Cover Gasket
	231-75872	91-94	Rocker Arm Cover (LH)	63	278-75872	91-94	Water Outlet Bolt
30	232-75872	91-94	Rocker Arm Cover Gasket	64	196-88778	91-94	Water Outlet Gasket
31	233-75872	91-94	Cylinder Head Bolt	65	280-75872	91-94	Water Outlet
33	226-75872	91-94	Plug (Cylinder Head Core Plug)	66	281-75872	91-94	Thermostat Housing Plug
34	236-75872	91-94	Intake Manifold Shield	67	282-75872	91-94	Thermostat Housing
35	237-75872	91-94	Intake Manifold Shield Stud	68	283-75872	91	Thermostat
36	239-75872	91-94	Intake Valve - STD		284-75872	92-94	Thermostat Cover, EGR Valve
37	240-75872	91-94	Intake Valve - 0.0035 OS	69	285-75872	91-94	Gasket, EGR Valve Cover
	241-75872	91-94	Intake Valve - 0.0155 OS	70	286-75872	91-94	Distributor Vacuum Control (part of 73)
	242-75872	91-94	Intake Valve- 0.0305 OS	71	287-75872	91-94	Plug (Coolant Temp. Ind. Sw. Hole)
38	243-75872	91	Exhaust Valve- STD	72	226-75872	91-94	Distributor (Includes 1,2,3,4,5,7,8,9,10, 11,12, 13,15,16,17,18,19,20,21, and 71)
	244-75872	92-94	Exhaust Valve- STD	73	289-75872	91-94	
	245-75872	91-94	Exhaust Valve- 0.0035 OS				
	246-75872	91-94	Exhaust Valve-0.0155 OS				

ENGINE PARTS



ENGINE PARTS

ITEM	PART NO.	QTY	DESCRIPTION	ITEM	PART NO.	QTY	DESCRIPTION
1	75872	1	5.0 Liter Engine	49	44118	1	Barbed Straight Fitting
2	50618	1	Engine DC Alternator	50	57823	2	Hose Clamp
3	57442	1	Spacer- 3" long	51	58007	2	Oil Filter Bolt
4	22316-C	1	Stud- 7/16"-14 x 1-1/2"	52	55505	1	Oil Filter
5	55992	1	Manifold Support Bracket	53	39558	1	Nipple- 1/8" NPT x 1-3/4"
6	33437	1	Spacer- 9/16" long	54	28405	1	Elbow- 1/8" NPT
7	22145	2	Flatwasher- 5/16"	55	60108	1	Oil Pressure Switch
8	22129	7	Lockwasher- 5/16"	56	53666	1	Oil Pressure Sender
9	31578	1	Capscrew- 3/8"-16 x 1-1/2"	57	26073-A	1	Pipe Plug- 1/4" NPT
10	58002	2	DC Alternator Bolt	58	60474	1	Grommet
11	43107	1	Capscrew- M8-1.25 x 25mm	59	60471	1	Crankcase Breather Cap
12	55586	1	DC Alternator Bracket	60	37065	1	Capscrew- 7/16"-20 x 2-1/4"
13	22131	9	Flatwasher- 3/8"	61	52644	1	Spacer
14	22237	29	Lockwasher- 3/8"	62	53660	1	Barbed Fitting- 1/4" NPT x 5/8"
15	29745	7	Capscrew-3/8"-16 x 1"	63	35606	1	High Coolant Temp. Switch
16	75875	1	Capscrew- 3/8"-16 x 6-1/4"	64	57781	1	Spark Plug Shield
17	58003	1	Engine Crankshaft Pulley	65	57782	1	Spark Plug Shield
18	42633	3	Capscrew- 3/8"-24 x 1"	66	59474	2	Shield Support
19	58004	1	Water Pump Pulley	67	59882	1	Heat Shield
20	55399-B	1	Fan Spacer- 3-1/4" long	68	50967	1	Hose- 5/8" ID x 5" long
21	55454	1	Fan	69	36409	2	Hex Nut- 1/4"-28
22	36287	4	Capscrew- 5/16"-24 x 4"	70	55461	1	Governor Adjust Rod- 9-1/4"
23	59564	1	Alternator Pulley Spacer		55485	1	Governor Adjust Rod- 8-1/4"
24	59737	1	Alternator Pulley- 4.5"	71	51145	2	Eod End
25	55991	1	Exhaust Manifold Bracket	72	22473	2	Flatwasher- 1/4"
26	56470	1	Spacer- 1/8" long	73	59883	1	Heat Shield
27	65809	1	Reducer Bushing	77	58031	1	Vibration Dampener
28	53667	1	Water Temperature Sender	78	35579	1	Reducer Bushing
31	57448	1	Hose- 5/8" ID x 12.5" long	79	55476	1	Reducer Bushing
32	22241	14	Hex Nut- 3/8"-16	80	22507	2	Capscrew- 1/4"-20 x 1/2"
33	61322	2	Heat Shield Support	81	24310	1	Pipe Plug- 1/2" NPT
34	53621-6	1	Ground Wire- 7" long	82	58008	1	Oil Filter Adapter
35	66005*	1	V-Belt	83	65934*	1	Governor
	35736**	1	V-Belt		55506**	1	Governor
36	59324	1	V-Belt	84	22413	1	Capscrew- 1/4"-20 x 1"
37	55489	2	Exhaust Manifold Gasket	85	55543	1	Governor Support
38	55487	1	Exhaust Manifold- LH	86	56472	2	Spacer- 2-5/8" long
39	55488	1	Exhaust Manifold- RH	87	56471	1	Spacer- 2-1/4" long
40	48527	12	Socket Head Capscrew 3/8"-16	88	51372***	1	Governor Support Spacer
41	55468	4	Manifold Outlet Gasket	89	31578	2	Capscrew- 3/8"-16 x 1-1/2"
42	44080	1	Manifold Adapter	90	57757	1	Capscrew- 3/8"-16 x 6-1/4"
43	26568	6	Capscrew- 3/8"-16 x 2-3/4"	91	22302	3	Lockwasher- 7/16"
44	51756	2	Capscrew- M10-1.50 x 20mm	92	32303	2	Capscrew- 3/8"-16 x 3-1/2"
45	22237	1	Lockwasher- 3/8"	93	58222	4	Capscrew- 3/8"-16 x 4-1/2"
47	54455	1	Oil Drain Adapter	94		2	Flexible Exhaust Pipe
48	52677	1	Nylon Washer	98	59934	2	Reducing Elbow
				102	22097	4	Lockwasher- 1/4"
				103	22127	2	Hex Nut- 1/4"-20
				106	32303	1	Capscrew- 1/2"-16 x 3"
				107	69939	1	Thermostat Housing
				108	48665	1	Thermostat Housing Gasket
				****	70833	1	Engine Wiring Harness

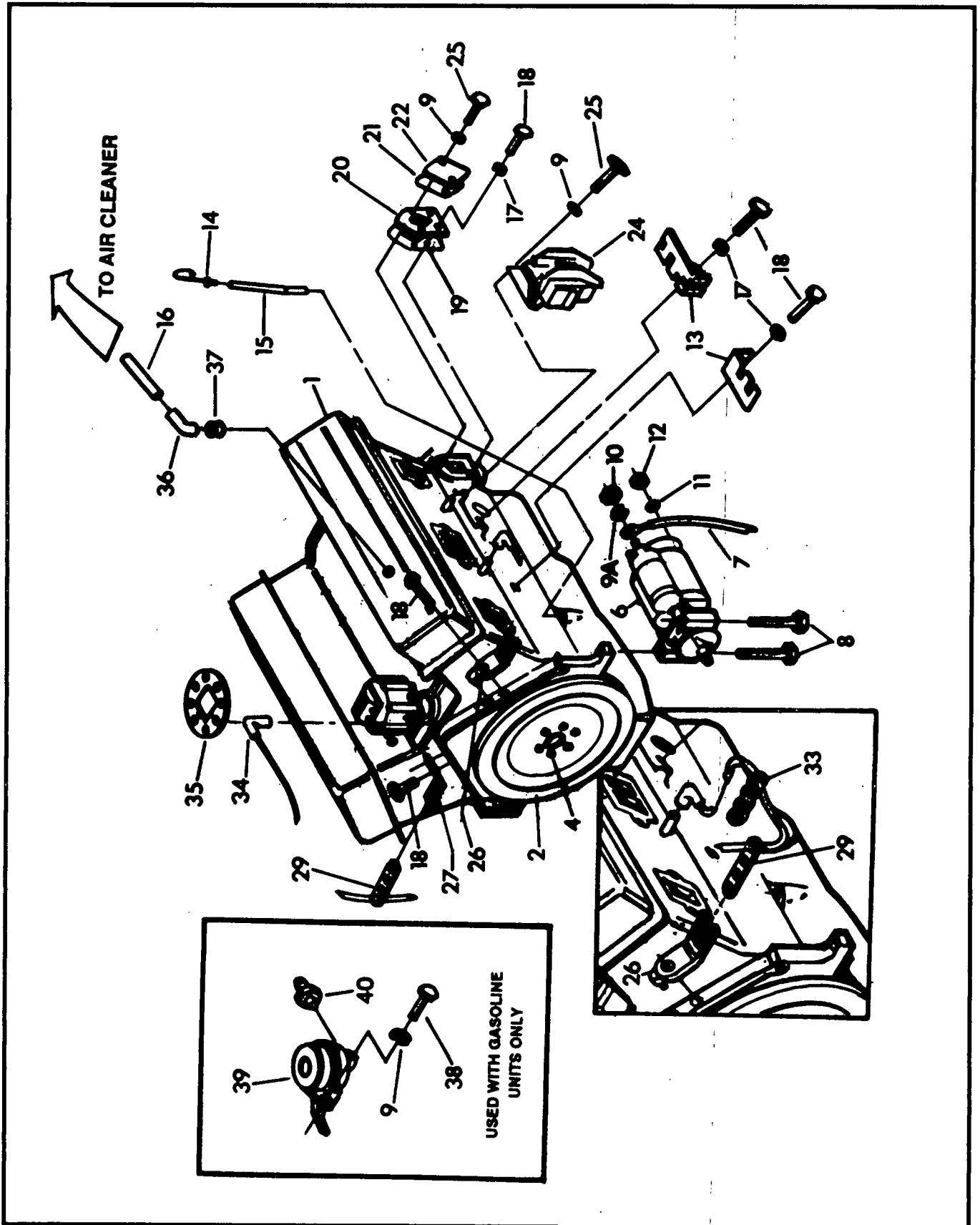
* For Natural & LP Gas Units.

** For Gasoline units.

*** Not used on 5.0 liter engines (5.7 liter only).

**** Not shown in Exploded View.

ENGINE PARTS



CYLINDER HEADS & INTAKE MANIFOLD PARTS

ITEM	PART NO.	YEAR	DESCRIPTION	ITEM	PART NO.	YEAR	DESCRIPTION
1	202-75872	91-94	Distributor Harness	39	250-88778	91-94	Valve Lifter
2	203-75872	91-94	Distributor Pole PC Retainer (Part of 73)	40	123-88778	91-94	Dowel Pin (Cylinder Head Locator)
3	204-75872	91-94	Distributor Pickup Pole Piece (Part of 73)	41	249-75872	91-94	Cylinder Head Gasket
4	205-75872	91-94	Distributor Coil Bolt (Part of 73)	43	251-75872	91	Seal- Intake Valve Stem STD (First Design)
5	206-75872	91-94	Distributor Ignition Control Module (Part of 73)		252-75872	91	Seal- Intake Valve Stem 0.015 OS (First Design)
6	207-75872	91-94	Ignition Coil Seal (Part of 73)		253-75872	91	Seal- Intake Valve Stem 0.030 OS (First Design)
7	208-75872	91-94	Distributor Housing (Part of 73)		254-75872	92-94	Seal- Intake Valve Stem STD (Second Design)
8	209-75872	91-94	Washer (Part of 73)		255-75872	91	Seal- Exhaust Valve Stem 0.0305 OS
9	210-75872	91-94	Washer (Part of 73)		256-75872	92-94	Seal- Exhaust Valve Stem
10	211-75872	91-94	Gear (Part of 73)	44	257-75872	91-94	Valve Spring
11	212-75872	91-94	Distributor Cap Bolt (Part of 73)	45	258-88778	91-94	Valve Stem Oil Shield
12	213-75872	91-94	Distributor Cover (Part of 73)	46	259-75872	91-94	Cylinder Head Bolt
13	214-75872	91-94	Wire (Part of 73)	47	254-88778	91-94	Valve Stem Oil Seal (Exhaust and Intake)
14	215-75872	91-94	Ignition Coil Bolt	48	261-75872	91-94	Cylinder Head Bolt
15	216-75872	91-94	Distributor Coil (Part of 73)	49	262-75872	91-94	Valve Spring Cap
16	217-75872	91-94	Ignition Coil Cover Seal (Part of 73)	50	263-75872	91-94	Valve Stem Key
17	218-75872	91-94	Distributor Cap (Part of 73)	51	264-75872	91-94	Intake Manifold Gasket
18	219-75872	91-94	Distributor Cap Brush (Part of 73)	52	263-88778	91-94	Exhaust Valve Rotator
19	220-75872	91-94	Bolt (Part of 73)	53	266-75872	91-94	Rocker Arm Nut (Adjustable)- Part of 56)
20	221-75872	91-94	Distributor Rotor (Part of 73)	54	267-75872	91-94	Rocker Arm Ball (Part of 56)
21	222-75872	91-94	Distributor Shaft (Part of 73)	55	252-88778	91-94	Rocker Arm Ball Stud 0.003 OS
22	223-75872	91-94	Bolt		253-88778	91-94	Rocker Arm Ball Stud 0.013 OS
23	224-75872	91-94	Distributor Clamp	56	270-75872	91-94	Rocker Arm (Includes 53, 54)
24	225-75872	91-94	Distributor Gasket	57	271-75872	91-94	Push Rod
25	226-75872	91-94	Plug	58	272-75872	91-94	Intake Manifold
26	227-75872	91-94	Intake Manifold Bolt	59	273-75872	91-94	Engine Lift Front Bracket
27	228-75872	91-94	Rocker Arm Cover Bolt	60	274-75872	91-94	Intake Manifold Bolt
28	229-75872	91-94	Oil Filler Cap	61	276-75872	91-94	Carburetor Choke Cover
29	230-75872	91-94	Rocker Arm Cover (RH)	62	277-75872	91-94	Carburetor Choke Cover Gasket
	231-75872	91-94	Rocker Arm Cover (LH)	63	278-75872	91-94	Water Outlet Bolt
30	232-75872	91-94	Rocker Arm Cover Gasket	64	196-88778	91-94	Water Outlet Gasket
31	233-75872	91-94	Cylinder Head Bolt	65	280-75872	91-94	Water Outlet
33	226-75872	91-94	Plug (Cylinder Head Core Plug)	66	281-75872	91-94	Thermostat Housing Plug
34	236-75872	91-94	Intake Manifold Shield	67	282-75872	91-94	Thermostat Housing
35	237-75872	91-94	Intake Manifold Shield Stud	68	283-75872	91	Thermostat
36	238-75872	91-94	Intake Valve - STD		284-75872	92-94	Thermostat Cover, EGR Valve
37	239-75872	91-94	Intake Valve - 0.0035 OS	69	285-75872	91-94	Gasket, EGR Valve Cover
	240-75872	91-94	Intake Valve - 0.0155 OS	70	286-75872	91-94	Distributor Vacuum Control (part of 73)
	241-75872	91-94	Intake Valve- 0.0305 OS	71	287-75872	91-94	Plug (Coolant Temp. Ind. Sw. Hole)
38	243-75872	91	Exhaust Valve- STD	72	226-75872	91-94	Distributor (Includes 1,2,3,4,5,7,8,9,10, 11,12, 13,15,16,17,18,19,20,21, and 71)
	244-75872	92-94	Exhaust Valve- STD	73	289-75872	91-94	
	245-75872	91-94	Exhaust Valve- 0.0035 OS				
	246-75872	91-94	Exhaust Valve-0.0155 OS				