

PB57000G

# GENERAC

# 5.7 GAS

## *REPAIR PARTS MANUAL*

P.O. BOX 8- WAUKESHA WI. 53187

PHONE: (414) 544- 4811 / FAX : (414) 544-0179

PRINTED IN U.S.A.

ISSUED: 01/05/96

## TABLE OF CONTENTS

ENGINE SERVICE RECOMMENDATIONS	2
ENGINE REBUILD GASKET SET / QUICK REFERENCE / TORQUE SPECIFICATIONS	3
ENGINE BLOCK AND ACCESSORIES	4-6
UPPER END ENGINE ACCESSORIES	7-9
FINISH PARTS (N,G,L, AND V FUELED ENGINES)	10
VACUUM DASHPOT (L AND N FUELED ENGINES)	11
DASHPOT (FOR LP AND N FUELED ENGINES)	12
DASHPOT (FOR G FUELED ENGINES)	13
LP REGULATOR AND ACCESSORIES	14
NATURAL GAS REGULATOR AND ACCESSORIES	15
LPG VAPOR REGULATOR AND ACCESSORIES	16
ENGINE FINISH PARTS (V FUELED ENGINES)	17-18
ENGINE FINISH PARTS (N,G, AND L FUELED ENGINES)	19-20
LP CARBURETOR AND ACCESSORIES	21
GASOLINE CARBURETOR AND ACCESSORIES	22-23
NATURAL GAS AND VAPOR CARBURETORS AND ACCESSORIES	24

## LEGEND

**1991= (CODE 1AU, CODE 9)**  
**1992= (CODE 2AU, 9, 2AH, AND 22)**  
**1993= (CODE 3AH, CODE 22)**  
**1994= (CODE 4AH, CODE 22)**  
**1995= (CODE 5AH, CODE 22)**  
**"AR" = AS REQUIRED PER APPLICATION.**  
**"O.S." = OVERSIZE.**  
**"U.S." = UNDERSIZE.**

**\*NOTE: FOR PRE 1992 UNITS, PLEASE SEE PUBLICATION # 68063**

## ENGINE SERVICE RECOMMENDATIONS

### SPECIFICATIONS:

CRANKCASE COOLANT CAPACITY      5.0 U.S. QUARTS  
COOLANT CAPACITY                      20.0 O.S. QUARTS

### RECOMMENDED COOLANT:

USE A MIXTURE OF HALF LOW SILICATE, ETHYLENE GLYCOL BASE ANTIFREEZE AND HALF SOFT WATER. IF DESIRED, A HIGH QUALITY RUST INHIBITOR MAY BE ADDED TO THE RECOMMENDED COOLANT MIXTURE. WHEN ADDING COOLANT, ALWAYS ADD THE RECOMMENDED 50/50 MIXTURE.

### RECOMMENDED ENGINE OIL:

USE A HIGH QUALITY DETERGENT OIL CLASSIFIED "FOR SERVICE SC, SD, SE OR SF" DETERGENT OILS KEEP THE ENGINE CLEANER AND REDUCE CARBON DEPOSITS. USE OIL HAVING THE FOLLOWING SAE VISCOSITY RATING, BASED ON THE AMBIENT TEMPERATURE RANGE ANTICIPATED BEFORE THE NEXT OIL CHANGE.

TEMPERATURE	RECOMMENDED OIL GRADE
Above 86 deg F	SAE 40
32 deg F to 85 deg F	SAE 30
Below 52 deg F	SAE 20
All Season	SAE 10W-30

## PERIODIC ENGINE MAINTINANCE SCHEDULE:

### EVERY THREE MONTHS:

CHECK FAN BELTS

### ONCE ANNUALLY:

SERVICE FUEL FILTERS

### EVERY 100 OPERATING HOURS:

CHANGE ENGINE OIL AND FILTER

### EVERY 500 OPERATING HOURS:

SERVICE AIR CLEANER

## ENGINE REBUILD GASKET SET P/N# 100-57000G

DESCRIPTION	GENERAC#	QTY
OIL DRAIN PLUG GASKET	142-88778	1
OIL PAN GASKET (1991-1992)	144-75872	1
OIL PAN GASKET (1993-1995)	145-75872	1
REAR MAIN OIL SEAL	169-88778	1
CRANKSHAFT REAR MAIN OIL SEAL HOUSING GASKET	157-83034	1
WATER PUMP GASKET	177-75872	2
FRONT TIMING COVER GASKET	192-75872	1
FRONT TIMING COVER CRANK SEAL	211-83034	1
FUEL PUMP PLATE GASKET	57783	1
FUEL PUMP MOUNTING GASKET	57785	1
DISTRIBUTER GASKET	225-75872	1
VALVE COVER GASKET	232-75872	2
VALVE COVER GASKET	134-83034	2
CYLINDER HEAD GASKET	145-83034	2
INTAKE MANIFOLD GASKET	313-75872	1
INTAKE MANIFOLD GASKET	148-83034	1
INTAKE MANIFOLD GASKET SET	172-83034	1
INTAKE MANIFOLD GASKET SET	148-83034	1
WATER OUTLET GASKET	196-88778	1
EGR VALVE OPENING COVER GASKET	286-75872	AR
CARBURETOR CHOKE COVER GASKET	277-75872	1
INTAKE MANIFOLD SEALER	182-83034	1
EXHAUST MANIFOLD GASKET	55489	2
THERMOSTAT HOUSING GASKET	48665	2
CARBURETOR ADAPTET GASKET (ALL)	64945	1
AIR CLEANER GASKET (GASOLINE)	60831	1
AIR CLEANER LID GASKET (GASOLINE)	79538	1
CARBURETOR MOUNTING GASKET (LP, NAT, VAPOR)	52865	1
AIR CLEANER BASE GASKET (LP, NAT, VAPOR)	61258	1

\*\*\*\*Valve stem seals must be ordered per application.

### ENGINE TUNE-UP / ENGINE PARTS

OIL FILTER	55505
GASOLINE FUEL FILTER	29608
AIR FILTER (ALL)	60834
ALTERNATOR V-BELT	59324
GOVERNOR V-BELT	66005
SPARK PLUG	59503
THERMOSTAT (1991)	283-75872
THERMOSTAT (1992-1995)	284-75872
THERMOSTAT GASKET (ALL)	48665
DISTRIBUTER CAP (1991-1995)	218-75872
DISTRIBUTER ROTOR (1991-1995)	221-75872
DISTRIBUTER MODULE (1991-1995)	206-75872
PISTON W/ PIN AND RINGS (STD)	185-83034
REAR MAIN OIL SEAL	169-88778
VALVE TAPPET (LIFTER)	250-88778
CAM SPROCKET	196-75872
CRANKSHAFT SPROCKET	169-75872
TIMING CHAIN	197-75872
CONNECTING ROD BEARING (STD)	105-88778
MAIN BEARING (STD) No. 1,2,3,4,	161-75872
MAIN BEARING (STD) No. 5	164-75872
SPARK PLUG WIRE SET	55490

### TORQUE SPECIFICATIONS

INNER MAIN BEARING BOLT	70 FOOT-POUNDS
OUTER MAIN BEARING BOLT	65 FOOT-POUNDS
CONNECTING ROD BOLT (3/8")	40-50 FOOT-POUNDS
CONNECTING ROD BOLT (7/16")	70 FOOT-POUNDS
CYLINDER HEAD BOLTS	65 FOOT-POUNDS
ROCKER ARM STUD	50 FOOT-POUNDS
CAMSHAFT SPOCKET	20 FOOT-POUNDS
INTAKE MANIFOLD BOLTS	30 FOOT-POUNDS
FLYWHEEL BOLTS	60 FOOT-POUNDS
SPARK PLUGS	25 FOOT-POUNDS
EXHAUST MANIFOLD BOLTS	25 FOOT-POUNDS
OIL PAN BOLTS	165 INCH-POUNDS
FRONT COVER BOLTS	75 INCH-POUNDS
ROCKER COVER	25 INCH-POUNDS



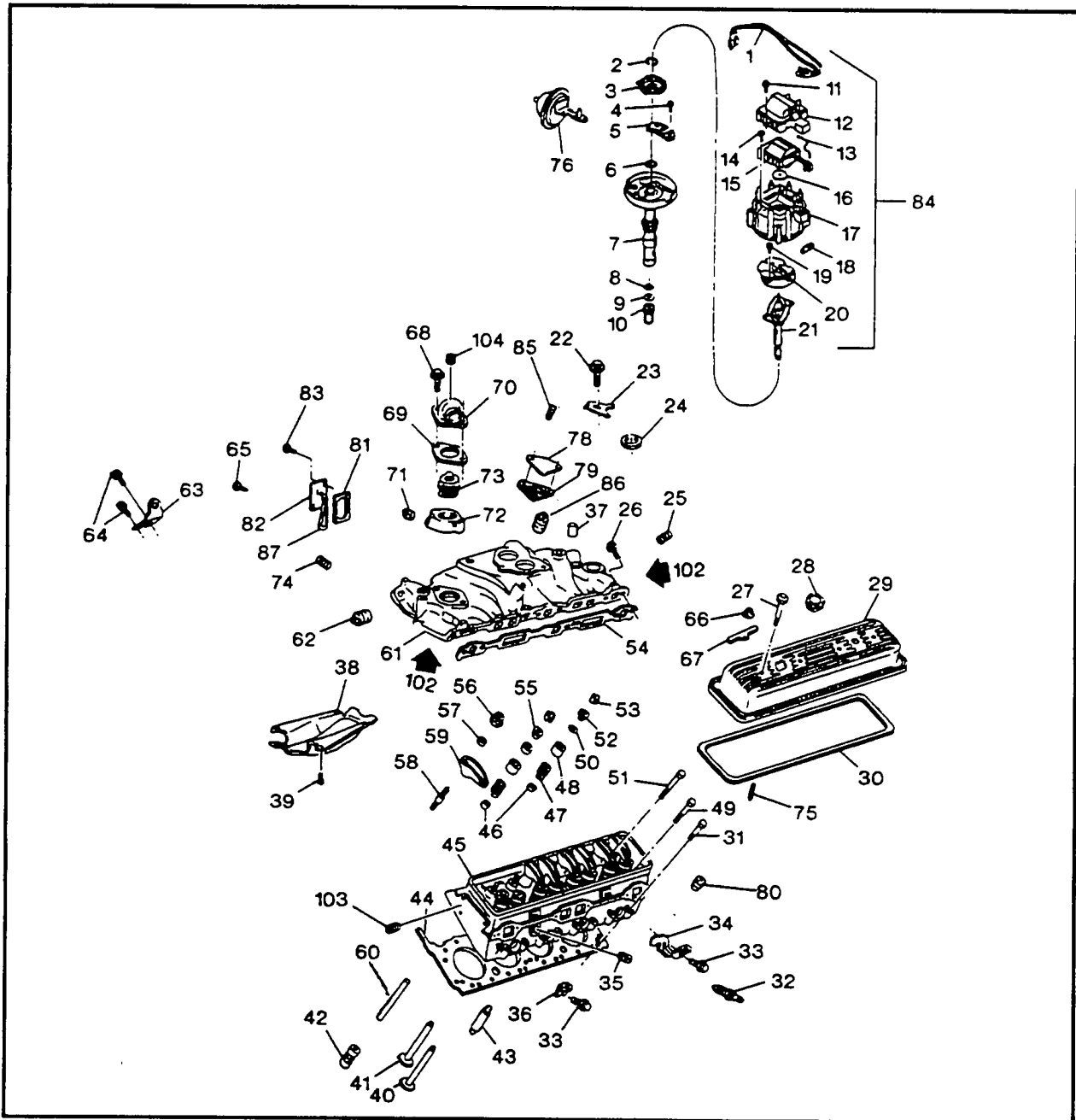
## ENGINE BLOCK AND ACCESSORIES

REF#	GENERAC#	DESCRIPTION	QTY
1	100-83034	ENGINE SVC, PARTIAL (ALL)	1
2	101-75872	PLUG, ENGINE BLOCK OIL GALLERY (ALL)	AR
3	183-83034	PISTON & PIN ( C9 1991-92 HI-LIMIT)	8
3	184-83034	PISTON & PIN ( C9 STD1991-92)	8
3	185-83034	PISTON KIT W/ PIN AND RINGS (C22 STD 1991-1995 )	8
3	186-83034	PISTON KIT / PIN / RINGS (C22 HI-LIMIT 1991-95)	8
3	187-83034	PISTON KIT / PIN / RINGS ( C22 .030 1991-94)	8
4	108-83034	RING KIT, PISTON DEEP OIL GROOVE (C22 1991-95 STD)	8
5	107-75872	CONNECTING ROD (ALL INCL. ITEM # 'S 6 / 8 )	8
6	108-75872	CON ROD BOLT (3/8-24 X 1-59/64 INCL W/ ITEM # 5 91-95)	16
7	106-88778	CON-ROD BRG KIT (ALL 1991-95 .001 U.S.)	AR
7	105-88778	CON-ROD BRG. KIT ( ALL STD 1991-95)	8
8	107-88778	CON-ROD NUT (ALL 3/8-24 1991-1995)	16
9	188-83034	CAMSHAFT RR BEARING PLUG ( ALL 1991-1995)	1
16	121-75872	OIL PUMP DRIVE SHAFT (ALL 1991-1995)	1
17	122-75872	OIL PUMP LOCATING PIN .24675 X .62 (ALL 1991-1995)	1
18	123-75872	OIL PUMP DRIVE SHAFT RETAINER (ALL 1991-1995)	1
19	124-75872	OIL PUMP (C22 .620 DIA TUBE 1991-1994)	1
19	109-83034	OIL PUMP (C22 .742 DIA TUBE 1993)	1
20	129-75872	OIL PUMP BOLT ( ALL 7/16-14 X 2-3/8 1991-1995)	AR
22	126-75872	OIL PRSSRE RLF VLV PLUG (ALL 1991-1995 )7/16X13/32	1
23	127-75872	OIL PRESSURE RELIEF VALVE (ALL 1991-1995)	1
24	128-75872	OIL PRESSURE RELIEF VALVE SPRING (C22 1991-1995)	1
24	148-88778	OIL PRESSURE RELIEF VALVE SPRING (C9 1991-1992)	1
25	130-75872	CRANKSHAFT OIL DEFLECTOR NUT (ALL 3/8-16 1991-95)	5
26	131-75872	DEFLECTOR, CRANKSHAFT OIL SEAL (ALL 1991-1995)	1
27	139-75872	OIL PUMP COVER (C22 .620 DIA TUBE 1991-92)	1
27	193-83034	OIL PUMP COVER (C22 .742 DIA TUBE 1993)	1
27	110-83034	OIL PUMP COVER (ALL 1991-92)	1
28	111-83034	BOLT, OIL PUMP COVER (ALL M6X1X20 1991-1995)	2
29	158-88778	PIN, OIL PRESSURE RELIEF SPRING ST. (ALL 1991-1995)	1
30	194-83034	NUT, OIL PAN 5/16-18X1/4 (ALL 1991-1995)	2
31	194-83034	PLUG, OIL PAN DRAIN 1/2-20 (ALL 1991-1995)	1
31	137-75872	PLUG, OIL PAN DRAIN 1/2-20 MAGNETIC (ALL 1991-1995)	AR
32	142-88778	GASKET, OIL PAN DRAIN PLUG ( ALL 1991-1995)	1
33	135-75872	BOLT, OIL PAN 1/4-20X .62 (ALL 1991-1995)	AR
34	135-75872	BOLT, OIL PAN 1/4-20 X .62 (ALL 1991-1995)	AR
35	112-83034	REINFORCEMENT, OIL PAN L.H. (ALL 1991-1995)	AR
35	141-75872	REINFORCEMENT, OIL PAN R.H.(ALL 1991-1995)	AR
36	143-75872	PAN, OIL 5 QT SPECIAL O.E.M. (C9 1991-1992)	1
36	197-83034	PAN, OIL 5 QT (C22 1991-1994)	1
37	144-75872	GASKET, OIL PAN(ALL 1991-1992)	1
37	145-75872	GASKET, OIL PAN (ALL 1993-1995)	1
38	168-88778	STUD, CRANKSHAFT RR OIL SEAL RETAINER	2
39	115-83034	NUT, CRANKSHAFT REAR OIL SEAL RETAINER(1/4-20)	1
40	148-75872	BOLT, CRSHAFT RR OIL SEAL HOUSING(1/4-20X1.75)	1
41	169-88778	CRANKSHAFT REAR OIL SEAL (ALL 1991-1995)PT OF # 43	1
42	152-75872	BOLT, CRSHAFT RR OIL SEAL HSING 9/14-20 x 7/8) ALL	2
43	163-88778	HOUSING, CRSHAFT RR OIL SEAL (1991-95 ALL)	1
44	154-75872	STUD, CRSHAFT RR OIL SEAL RETAINER (1/4-20 X 2.18)	1
45	157-83034	GASKET, CRSHAFT RR OIL SEAL HOUSING(1991-95 ALL)	1
46	158-75872	CRANKSHAFT BRG CAP STUD	AR
47	159-75872	BOLT, CRSHAFT BRG CAP(7/16X14X3 11/32)ALL	10
49	162-88778	PIN, CRSHAFT RR OIL SEAL HSING LOCK (1991-95 ALL)	1
50	155-75872	PIN, FLYWHEEL LOCATING 7/16X7/8 (1991-95 ALL)	1
51	178-75872	FLYWHEEL, ENGINE W/ HARDENED TEETH (1991-95 ALL)	1
55	179-75872	FLYWHEEL BOLT (7/16-20 X .97 1991-92 C9)	6
56	213-88778	PLUG, ENGINE BLOCK CORE (BRASS 1991-1995 ALL)	8
58	164-75872	CRANKSHAFT BRG KIT RR. # 5 (STD1991-95 ALL)	1
58	166-75872	BRG KIT CRANKSHAFT RR # 5 (.010 U.S.)	1

## ENGINE BLOCK AND ACCESSORIES (CONT.)

REF#	GENERAC#	DESCRIPTION	QTY
58	122-83034	BRG. KIT CRANKSHAFT (.020 U.S. STD FLANGE 91-95 ALL)	1AR
58	162-75872	BRG KIT CRANKSHAFT (.001 U.S. # 1,2,3,4 1991-1995 ALL)	AR
58	200-83034	BRG KIT CRANKSHAFT (.020 U.S. # 1,2,3,4 1991-1995 ALL)	AR
58	201-83034	BRG KIT CRANKSHAFT (.0012 U.S. # 1,2,3,4 1991-1995 ALL)	AR
58	161-75872	BRG KIT CRANKSHAFT (STD # 1,2,3,4 1991-1995 ALL)	4
58	119-83034	BRG KIT CRANKSHAFT (.010 U.S.# 1,2,3,4 1991-95 ALL)	AR
58	121-83034	BRG KIT CRANK (RR # 5 .002 U.S. STD FLANGE (91-95)	AR
58	168-75872	BRG KIT CRANK (RR # 5 .001 U.S. W/ .008 O.S. FLNG 91-95)	AR
58	167-75872	BRG KIT CRANK (RR # 5 STD W/ .008 O.S. FLNG 91-95)	AR
59	117-88778	KEY, CRANKSHAFT BALANCER (.187 X .750 1991-95 ALL)	2
60	169-75872	CRNKSHFT SPOCKET (ROLLER .275/.285 TOOTH WIDTH	1
61	203-83034	CRANKSHAFT (1993-95 C22 CODE)	1
61	123-83034	CRANKSHAFT (1991-92 C9 CODE)	1
62	124-83034	CRANKSHAFT BALANCER (ALL 1991-95)	1
63	177-88778	PIN, TRANS 5/8 X 1 3/16 (1991-95 ALL)	2
64	172-75872	WATER PUMP BOLT (1991-93 ALL)	4
65	204-83034	WATER PUMP (1991-95 ALL)	1
66	177-75872	WATER PUMP GASKET (1991-95 ALL)	2
67	186-75872	CAMSHAFT (1991-95 ALL)	1
68	183-75872	CAMSHAFT BEARING # 1 (1991-95 ALL)	1
68	184-75872	CAMSHAFT BEARING # 2 & RR (1991-95 ALL)	2
68	185-75872	CAMSHAFT BEARING # 3 & 4 (1991-95 ALL)	2
69	117-75872	PLUG, ENG BLOCK OIL GAL. (1/2" EXP PLG) 1991-95	1
69	119-75872	PLUG, ENG BLOCK OIL GAL. (1991-95 ALL)	1
69	181-75872	PLUG, ENG BLOCK OIL GAL. (37/64 X1/4 1991-95 ALL)	2
69	180-75872	PLUG, ENG BLK OIL GAL. (CUP .476 X .31 1991-95 ALL)	1
73	236-75872	PLUG, HEATER HOSE 1/2-14 X 39/64 1991-95 ALL)	2
73	138-83034	PLUG, HEATER HOSE 1994-95 C22 CODE)	1
75	127-83034	GASKET W/ PUMP COVER (1991-95 C22 CODE)	1
75	176-75872	GASKET W/ PUMP COVER (1991-92 C9 CODE)	1
79	128-83034	TIMING INDICATOR (1991-92 C9 CODE)	1
80	154-88778	BOLT, ENG FRONT COVER (1/4-20 X .56 1991-94 ALL)	1
80	207-83034	BOLT, ENG FRONT COVER (1995 C22 CODE)	AR
81	208-83034	COVER, ENGINE FRONT (1994-95 C22 CODE)	1
81	209-83038	COVER, ENGINE FRONT (1991-93 C22 INCL CVR & IND)	1
81	130-83034	COVER, ENGINE FRONT (1991-92 C9)LESS POINTER	1
82	192-75872	GASKET, ENGINE FRONT COVER (1991-95 ALL)	1
84	211-83034	SEAL, CRNKSHFT FRT TIMING CVR (1991-95 C22)	1
85	151-88778	BOLT, CAMSHAFT SPROCKET 5/16-18 X 3/4 (1991-95 ALL)	2
86	196-75872	SPROCKET, CAMSHAFT .272/.285 TOOTH WIDTH(91-95 )	1
87	197-75872	ROLLER TIMING CHAIN .275/ .285 TOOTH WIDTH 91-95 ALL)	1
88	117-75872	PLUG, ENGINE BLOCK OIL GAL. (1/2" STEEL 91-95 ALL)	1
89	134-75872	WASHER, CAM SPROCKET (5/16X5/8X1/16 HRDND 91-95)	2
90	119-75872	PLUG, ENG BLOCK OIL GAL. (1991-95 ALL)	AR
91	201-75872	PLUG, HEX (1/4-18X.56 1991-93 ALL)	AR
91	116-75872	PLUG, ENG OIL PRS GAUGE (1/8-27X3/8 NPTF94-95 ALL)	AR
92	177-88778	PIN, TRANSMISSION (5/8X1-3/16 1991-95 ALL)	2
94	122-75872	PIN, CAMSHAFT GEAR LOCATING (.24675x .62 1991-95 all)	2
95	122-75872	PIN, ENG. FRONT COVER (.24675X.60 1991-95 ALL)	2
96 / 97	201-75872	PLUG, ENG BLOCK COOLANT DRAIN(1/4-18X.56 91-95 ALL)	2
98	169-88778	REAR MAIN OIL SEAL, CRANKSHAFT (1991-95 ALL)	1
109	122-75872	PIN, ENG FRONT COVER LOCATING(1991-95 ALL)	2
121	214-83034	BOLT, WATER PUMP (3/8-16X2 1994-95 ALL)	AR
133	215-83034	PLUG, ENG BLOCK OIL GAL. .413 1991-94 ALL)	8
133	101-75872	PLUG, ENG BLOCK OIL GAL. 1/4-18X.69 1991-95 ALL)	AR

## UPPER END ENGINE ACCESSORIES



REF#	GENERAC#	DESCRIPTION	QTY
1	202-75872	DISTRIBUTER WIRING HARNESS (1991-95 ALL)	1
2	203-75872	RETAINER, POLE PIECE (1991-95 C22 CODE)	1
3	204-75872	POLE PIECE DIST P/IP W PLATE 1991-95 C22 CODE)	1
4	205-75872	DISTRIBUTER BOLT (1991-95 ALL)	1
5	206-75872	MODULE, DISTRIBUTER IGNITION (1991-95 ALL)	1
6	207-75872	SEAL, DISTRIBUTER HOUSING (1991-95 ALL)	1
7	208-75872	DISTRIBUTER HOUSING ( PART OF # 841991-95 ALL)	1
8	209-75872	DISTRIBUTER WASHER (1991-95 ALL)	1
9	210-75872	WASHER, DISTRIBUTER SHAFT PART OF # 84 (91-95 ALL)	1
10	211-75872	DISTRIBUTER GEAR (1991-95 ALL)	1

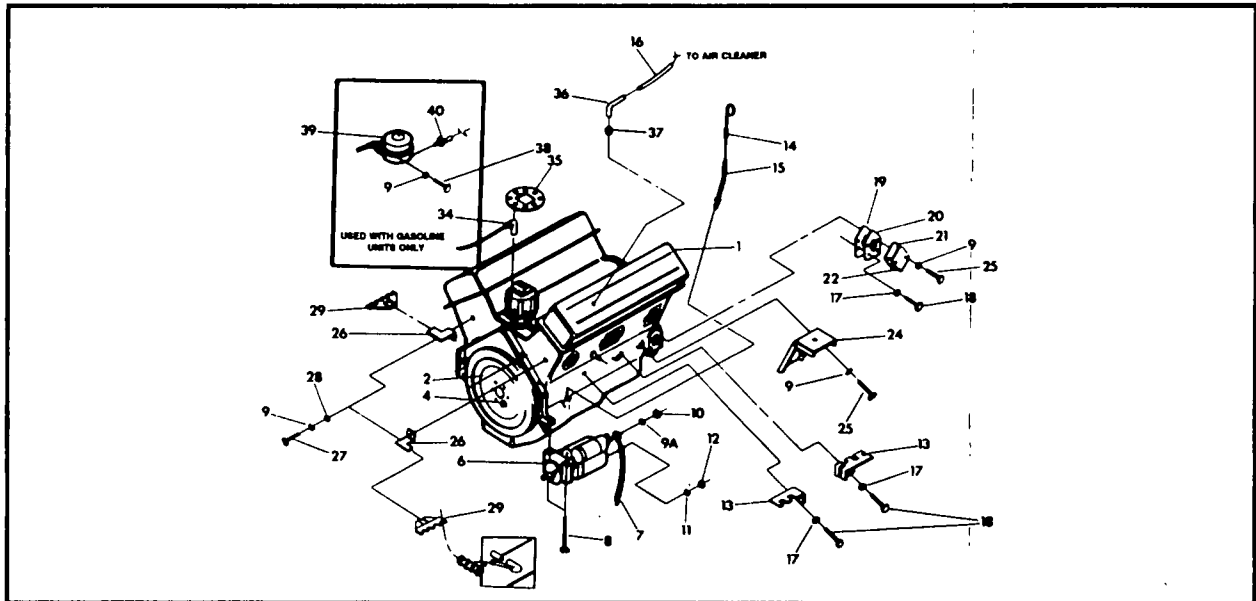
**UPPER END ENGINE ACCESSORIES (CONT.)**

<b>REF#</b>	<b>GENERAC#</b>	<b>DESCRIPTION</b>	<b>QTY</b>
11	212-75872	BOLT, DISTRIBUTER CAP (1991-95 ALL)	2
12	213-75872	DISTRIBUTER COVER (1991-95 ALL)	1
13	214-75872	DISTRIBUTER COIL GROUND STRAP (1991-95 ALL)	1
14	215-75872	IGNITION COIL BOLT (1991-95 ALL)	2
15	216-75872	DISTRIBUTER COIL (1991-95 ALL)	1
16	217-75872	DISTRIBUTER COIL CAP SEAL (1991-95 ALL)	1
17	218-75872	DISTRIBUTER CAP (1991-95 ALL)	1
18	219-75872	DISTRIBUTER CAP BRUSH	1
19	220-75872	BOLT, DISTRIBUTER ROTOR (1991-95 ALL)	2
20	221-75872	DISTRIBUTER ROTOR (1991-95 ALL)	1
20	222-75872	DISTRIBUTER SHAFT (1991-95 ALL)	1
22	223-75872	DISTRIBUTER CLAMP BOLT 3/8-16 X 1-1/8 (1991-95 ALL)	1
23	224-75872	DISTRIBUTER IGNITION CLAMP (1991-93 C22 CODE)	1
24	225-75872	DISTRIBUTER GASKET (1991-95 ALL)	1
25	226-75872	PLUG, SQUARE SOCKET 3/8-18 (1992-95 C22 CODE)	AR
26	227-75872	BOLT, INTAKE MANIFOLD 3/8-16 X 1.38 1991-93 C22)	8
26	274-75872	BOLT, INTAKE MANIFOLD 3/8-16 X 1-1/2 (1994-95 C22)	3
27	228-75872	BOLT, VALVE COVER (1991-95 ALL)	8
28	229-75872	OIL FILL CAP (91-92 & 93-94 ALL)	1
29	296-75872	VALVE COVER (1995 C22 CODE)	2
29	231-75872	VALVE COVER L.H. (1991-95 C22)	1
29	230-75872	VALVE COVER R.H. (1991-95 C22)	1
29	133-83034	VALVE COVER (1991-92 C9)	2
30	223-75872	VALVE COVER GASKET (1991-95 C22)	2
30	134-83034	VALVE COVER GASKET (1991-92 C9)	2
31	233-75872	CYLINDER HEAD BOLT ( 7/16X1-3/4 1991-94 ALL)	16
32	59503	SPARK PLUG (1991-95 ALL)	8
33	154-88778	SPARK PLUG WIRE RETAINER BOLT 1/4-20 (1994-95 C22)	4
34	136-83034	SPARK PLUG WIRE SUPPORT L.H. (1991-95 C22)	1
34	137-83034	SPARK PLUG WIRE SUPPORT R.H. (1991-95 C22)	1
35	138-83034	CYLINDER HEAD CORE PLUG (1991-95 C22)	1
36	139-83034	PLUG WIRE SUPPORT L.H. (1991-95 ALL)	1
36	158-83034	PLUG WIRE SUPPORT R.H. (1991-95 ALL)	1
37	138-83034	PLUG, AUTO DRAIN INT. (1991-93 C9 CODE)	1
38	237-75872	INTAKE MANIFOLD SHIELD PART OF # 80 (1991-95 ALL)	1
39	238-75872	INTAKE MANIFOLD STUD (1991-95 ALL)	5
40	235-88778	INTAKE MANIFOLD.0035 O.S. (1991-92 C9)	8
40	159-83034	INTAKE VALVE .0035 O.S.(1991-95 C22)	AR
40	236-88778	INTAKE VALVE .015 O.S. (1991-92 C9)	AR
40	160-83034	INTAKE VALVE .0155 O.S. (1991-95 C22)	AR
40	161-83034	INTAKE VALVE .0305 O.S. (1991-95 C22)	AR
40	237-88778	INTAKE VALVE .0305 O.S. (1991-92 C9)	AR
40	162-83034	INTAKE VALVE STD. (1991-95 C22)	8
40	234-88778	INTAKE VALVE STD. (1991-92 C9)	8
41	143-83034	EXHAUST VALVE .0035 O.S. (1991-92 C9)	AR
41	144-83034	EXHAUST VALVE .0155 O.S. (1991-92 C9)	AR
41	244-75872	EXHAUST VALVE STD (1991-95 C22)	8
41	164-83034	EXHAUST VALVE (.0035 O.S. 1994-95)	AR
41	165-83034	EXHAUST VALVE .0155 O.S. 1994-95 C22)	AR
41	142-83034	EXHAUST VALVE STD (1991-92 ALL)	8
42	250-88778	LIFTER, VALVE (TAPPET 1991-95 ALL)	16
43	123-88778	PIN, CYLINDER HEAD LOCATING 5/16X9/16 (1991-95 ALL)	8
44	145-83034	CYLINDER HEAD GASKET (1991-95 ALL)	2
45	216-83034	CYLINDER HEAD (1991-95 C22)	2
45	147-83034	CYLINDER HEAD W/ STUD (1991-92 C9)	2
46	254-75872	SEAL, INT. VALVE STEM STD (1991-93 ALL)	8

## UPPER END ENGINE ACCESSORIES (CONT.)

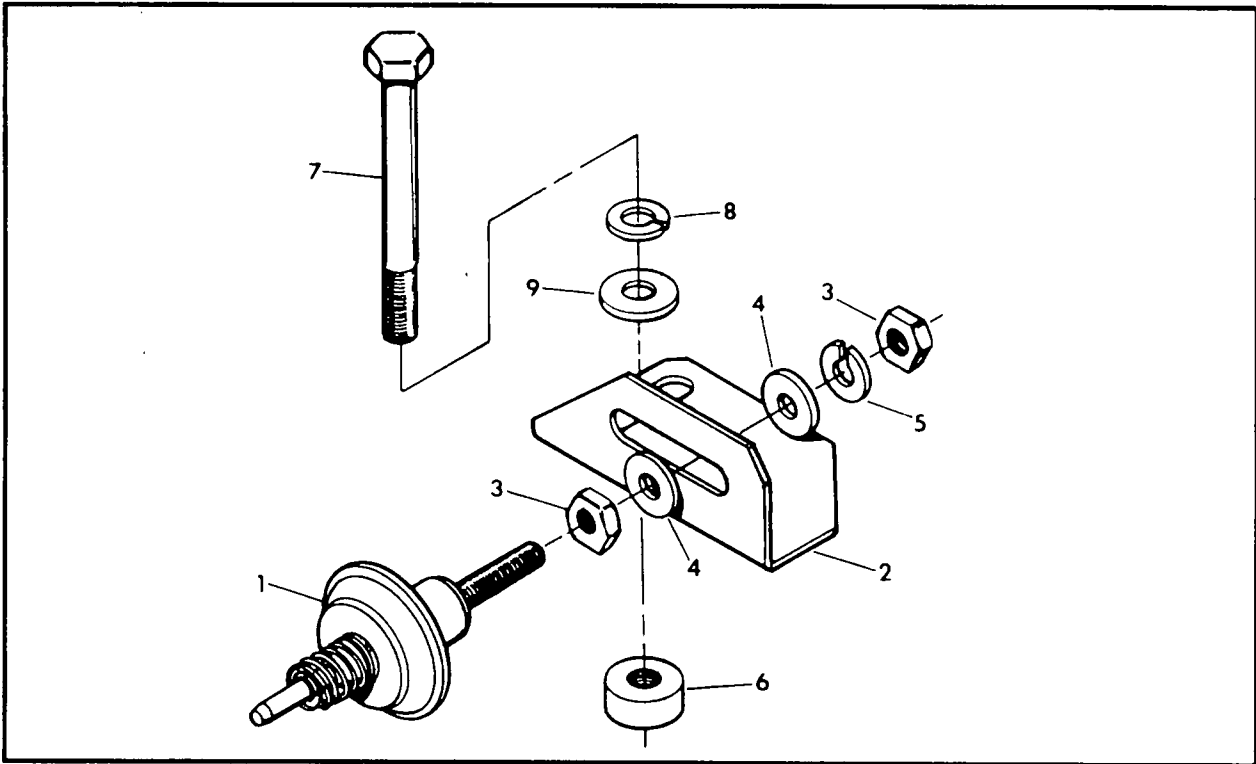
REF#	GENERAC#	DESCRIPTION	QTY
46	252-75872	SEAL, INT. VALVE STEM.015 O.S. (1991-95 ALL)	8
46	253-75872	SEAL, INT. VALVE STEM .030 O.S. (1991-95 ALL)	AR
46	251-75872	SEAL, INT VALVE STEM W/ RETAINER STD (1991-95 ALL)	8
46	255-75872	SEAL, EXHAUST VALVE STEM (1991-95 ALL)	8
47	257-75872	VALVE SPRING (1991-95 C22)	16
48	258-75872	VALVE STEM OIL SHIELD (1991-95 ALL)	16
49	259-75872	CYLINDER HEAD BOLT 7/16-14X3 (1991-94 ALL)	4
49	169-83034	CYLINDER HEAD BOLT 7/16-14X3-1/16 (1995 ALL)	4
50	254-88778	SEAL, VALVE STEM OIL O-RING TYPE (1991-93 ALL)	16
50	170-83034	SEAL, VALVE STEM OIL O-RING TYPE (1994-95 C22)	16
51	261-75872	CYLINDER HEAD BOLT (7/16-14 X 3-3/4 1991-94 ALL)	14
51	171-83034	CYLINDER HEAD BOLT(7/16-14 X 3-51/64 1995 ALL)	14
52	262-75872	VALVE SPRING CAP (1991-95 ALL)	8
53	262-88778	VALVE STEM KEY (1991-95 ALL)	32
54	172-83034	GASKET,KIT INTAKE MANIFOLD(1991-95 C22 CODE)	1
54	148-83034	GASKET KIT INTAKE MANIFOLD (1991-92 C9 CODE )	1
55	263-88778	VALVE ROTATOR (1991-95 ALL)	8
56	266-75872	ROCKER ARM ADJUSTING NUT (1991-95 ALL)	16
57	173-83034	ROCKER ARM BALL (1991-95 ALL)	16
58	252-88778	ROCKER ARM STUD.003 O.S. (1991-95 ALL)	16
58	253-88778	ROCKER ARM STUD.013 O.S. (1991-95 ALL)	16
59	270-75872	ROCKER ARM KIT INCL. ARM, BALL, NUT (1991-95 ALL)	16
60	271-75872	PUSH ROD (1991-95 ALL)	16
61	272-75872	INTAKE MANIFOLD (1991-95 C22)	1
61	149-83034	INTAKE MANIFOLD (1991-92 C9 CODE)	1
62	174-83034	INTAKE MANIFOLD EGR VALVE PLUG (1991-95 ALL )	1
63	175-83034	FRONT ENGINE LIFT BRACKET (1991-95 C22)	1
64	195-76785	BOLT 3/8-16 X 1-1/4 (1991-92 C9 CODE)	6
64	274-75872	BOLT 3/8-16 X 1-1/2 (1991-95 C22 CODE)	6
65	177-83034	BOLT 3/8-16 X 1.12 (1991-95 ALL)	2
66	115-83034	ROCKER ARM COVER NUT 1/4-20 X .234 (1991-95 ALL)	8
67	151-83034	ROCKER ARM COVER REINFORCEMENT (1991-92 C9)	8
68	152-83034	WATER OUTLET BOLT 3/8-16 X 2-3/4 (1991-92 C9 CODE)	2
68	195-76785	BOLT 3/8-16 X 1-1/4 (1991-95 C22)	2
69	196-88778	WATER OUTLET GASKET (1991-95 ALL)	1
70	217-83034	WATER OUTLET (1995 C22)	1
70	178-83034	WATER OUTLET (1991-94 ALL)	1
71	281-75872	PLUG 3/4-14 X 1.040 (1991-95 ALL)	1
72	282-75872	THERMOSTAT HOUSING (1991-92 C9)	1
73	283-75872	THERMOSTAT (1991 C9 CODE)	1
73	284-75872	THERMOSTAT (1992-95 ALL)	1
74	236-75872	HEATER HOSE PLUG 1/2-14 X 39/64 1991-95 C9)	2
74	138-83034	HEATER HOSE PLUG 3/8-18 X 27/64 1994-95 C22)	1
75	155-83034	VALVE COVER STUD (1991-92 C9)	8
76	287-75872	DISTRIBUTER VACUUM CONTROL (1991-95 ALL)	1
78	285-75872	COVER, EGR VALVE OPENING (1991-95 C22)	1
79	287-75872	GASKET, EGR VALVE COVER OPENING (1991-95 C22)	AR
80	226-75872	ENGINE COOLANT TEMP SWITCHPLUG (1991-95 C22)	AR
81	277-75872	GASKET, CARB CHOKE COVER (1992-95 C22)	1
82	276-75872	CARB CHOKE COVER (1992-95 C22)	1
83	177-83034	BOLT 3/8-16 X 1.12 (1991-95 C22)	2
84	289-75872	DISTRIBUTER (1991-95 ALL)	1
85	201-75872	INT. MANIFOLD VACUUM HOLE PLUG (1991-95 ALL)	AR
102	182-83034	INTAKE MANIFOLD SEALER (1991-95 ALL)	AR
103	138-83034	CYL HEAD CORE HOLE PLUG1/2-18 X 27/64 (1991-95 C22)	AR
104	236-75872	WATER OUTLET PLUG1/2-14 X 39/64 (1992-95 C22)	AR

## COMMON PARTS (N, G, L, AND V FUELED ENGINES)



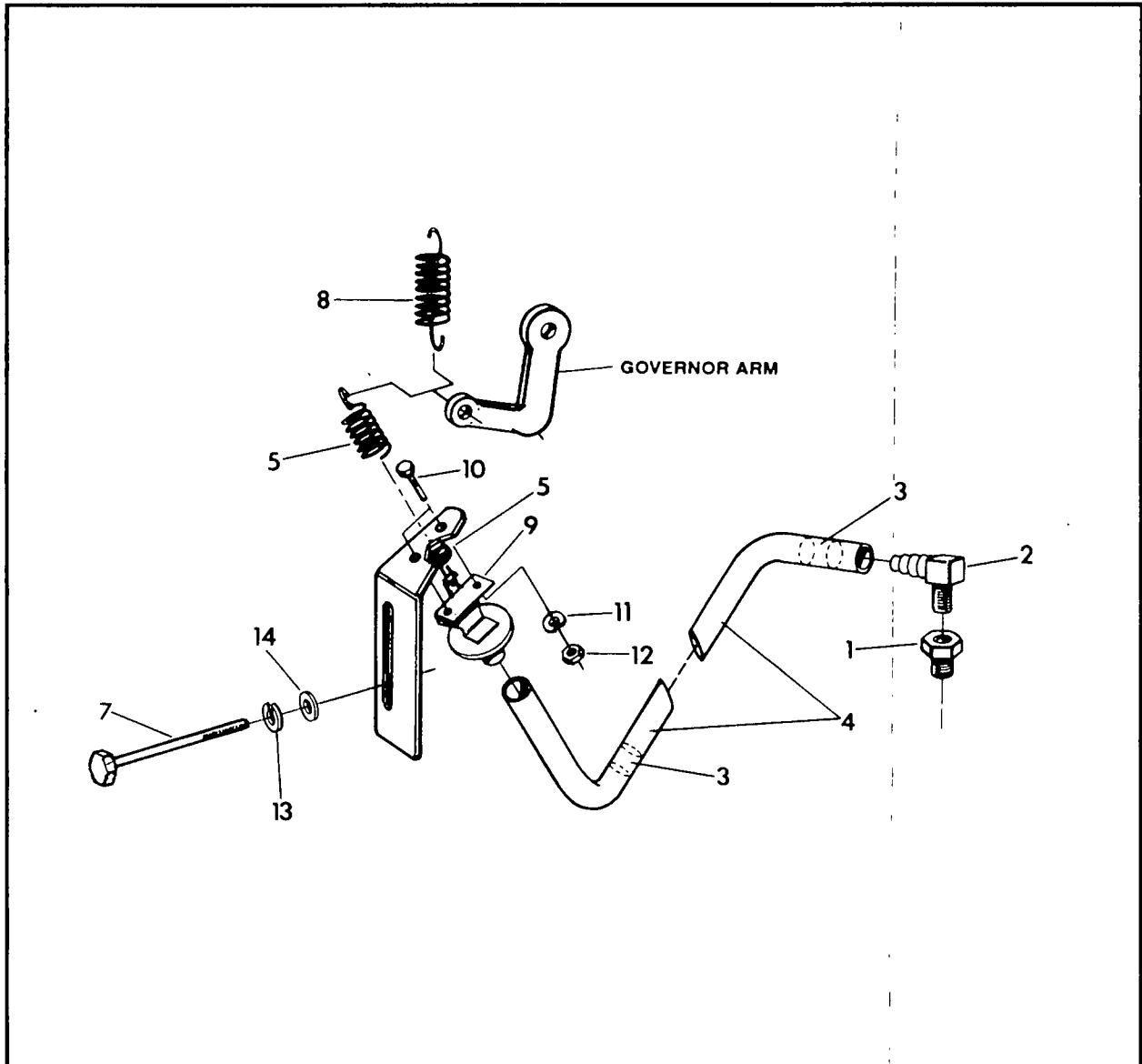
REF#	GENERAC#	DESCRIPTION	QTY
1	83034	ENGINE, 5.7 LITER V-8	1
2	68023	FLYWHEEL ( FOR UNITS WITHOUT GEARBOX)	1
4	46634	BOLT, FLYWHEEL	6
6	59056	STARTER	1
7	38804N	CABLE, BATTERY (RED) 15" LONG	1
8	58385	BOLT, STARTER	2
9	22237	WASHER, LOCK 3/8"	9
9A	70022	WASHER, LOCK (EXTERNAL)	1
10	45772	NUT, HEX M10-1.50	1
11	49226	WASHER, LOCK M5	1
12	51716	NUT, HEX M5-0.80	1
13	57781	SHIELD, SPARK PLUG	2
14	58366	DIPSTICK, OIL LEVEL	1
15	58365	TUBE, OIL DIPSTICK	1
16	59057	TUBING, 3/4" I.D. X 10" LONG	1
17	22097	WASHER, LOCK 1/4"	4
18	22507	CAPSCREW, HEX HEAD 1/4"-20 X 1/2"	6
19	57783	GASKET, FUEL PUMP PLATE	1
20	57784	PLATE, FUEL PUMP	1
21	57785	GASKET, FUEL PUMP	1
22	57786	COVER, FUEL PUMP	1
24	82744	UNIT MOUNTING	1
25	29745	CAPSCREW, HEX HEAD 3/8"-16 X 1"	5
26	44101	SUPPORT, SPARK PLUG WIRE	2
27	23152	CAPSCREW, HEX HEAD 3/8"-16 X 3/4"	2
28	22131	WASHER, FLAT 3/8"	2
29	58030	GROMMET, SPARK PLUG WIRE	2
33	57794	RETAINER, SPARK PLUG WIRES	2
34	55490	SET, SPARK PLUG WIRE	1
35	55469	RETAINER, DISTRIBUTER SPARK PLUG WIRE	1
36	57795	CONNECTOR	1
37	57796	GROMMET	1
38	22511	CAPSCREW, HEX HEAD 3/8"-16 X 1-1/4"	2
39	60842	PUMP, FUEL	1
40	60829	FLARE, INVERTED MALE	1
41	59533	FUEL PUMP PUSH ROD	1

## VACUUM DASH POT FOR (L AND N FUELED ENGINES)



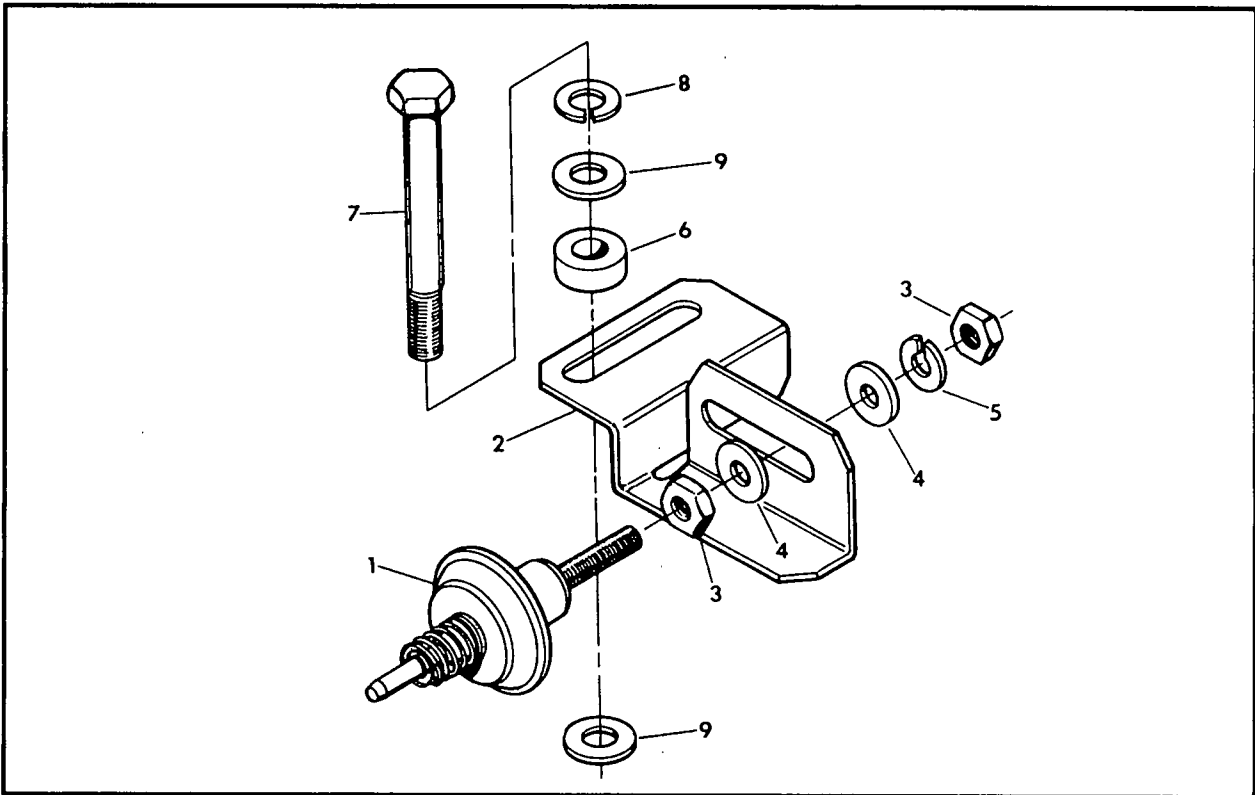
REF#	GENERAC#	DESCRIPTION	QTY
1	57406	DASH POT	1
2	66070	BRACKET, DASH POT	1
3	31596	HEX NUT, JAM 5/16"-24	2
4	22145	WASHER, FLAT	2
5	22129	WASHERM LOCK	1
6	32421	SPACER, 1" O.D. X 13/32" I.D. X 1 1/32" LONG	1
7	32303	HEX HEAD CAPSCREW 3/8"-16 X 3-1/2"	1
8	22237	LOCK WASHER 3/8"	1
9	22131	FLAT WASHER 3/8"	1

## DASH POT (LP AND N FUELED ENGINES)



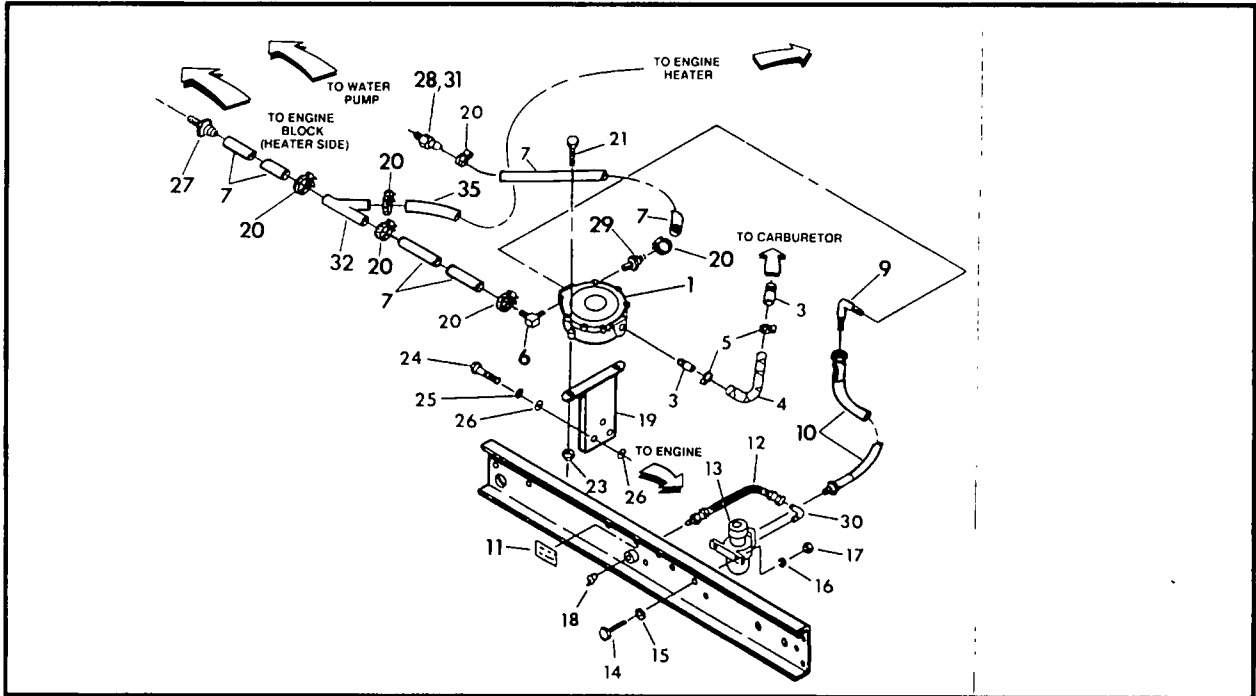
REF#	GENERAC#	DESCRIPTION	QTY
1	57406	DASH POT	1
2	66070	BRACKET,	1
3	31596	HEX NUT, JAM 5/16-24	2
4	22145	WASHER, FLAT	2
5	22129	WASHER, LOCK	1
6	32421	SPACER, 1" O.D. 13/32" I.D. X 11/32" LONG	1
7	32303	HEX HEAD CAPSCREW, 3/8"-16 X 3-1/2"	1
8	22237	LOCKWASHER, 3/8"	1
9	22131	FLAT WASHER, 3/8"	1
10	33121	CAPSCREW, HEX HEAD # 10-32 X 1/2"	2
11	22152	LOCK WASHER, 7/16"	2
12	22158	HEX NUT # 10	2
13	22302	LOCK WASHER, 7/16"	1
14	22250	FLAT WASHER, 7/16"	1

## DASH POT (FOR G FUELED ENGINES)



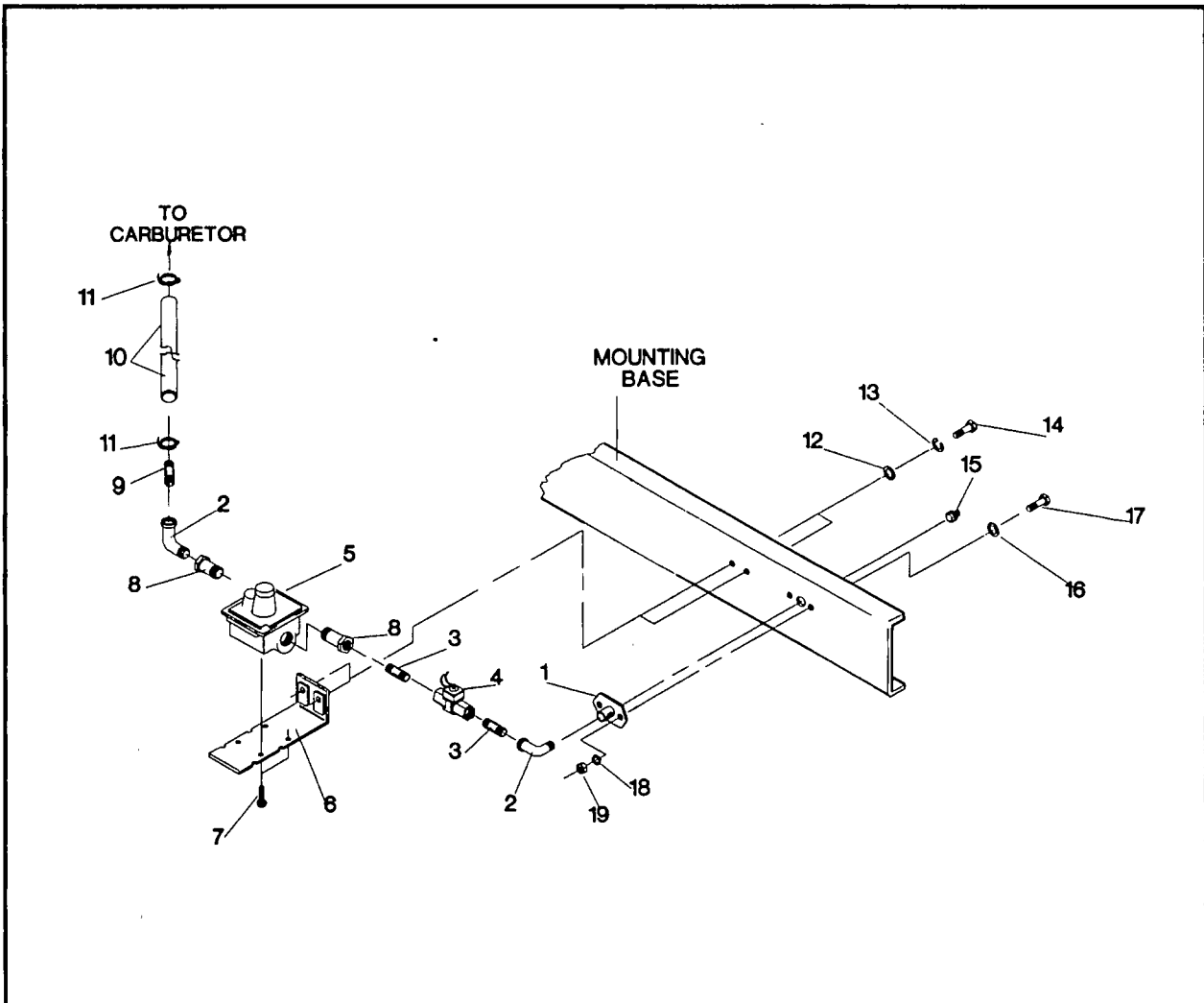
REF#	GENERAC#	DESCRIPTION	QTY
1	57406	DASH POT	1
2	63550	BRACKET, DASH POT	1
3	31596	HEX NUT, 5-16"-24	2
4	22145	WASHER, FLAT 5/16"	1
5	22129	WASHER, LOCK 5/16	1
6	32421	SPACER	1
7	32303	HEX HEAD CAP SCREW 3/8"-16 X 3-/12"	1
8	22237	LOCK WASHER 3/8"	1
9	22131	FLAT WASHER 3/8"	1

## LP REGULATOR AND ACCESSORIES



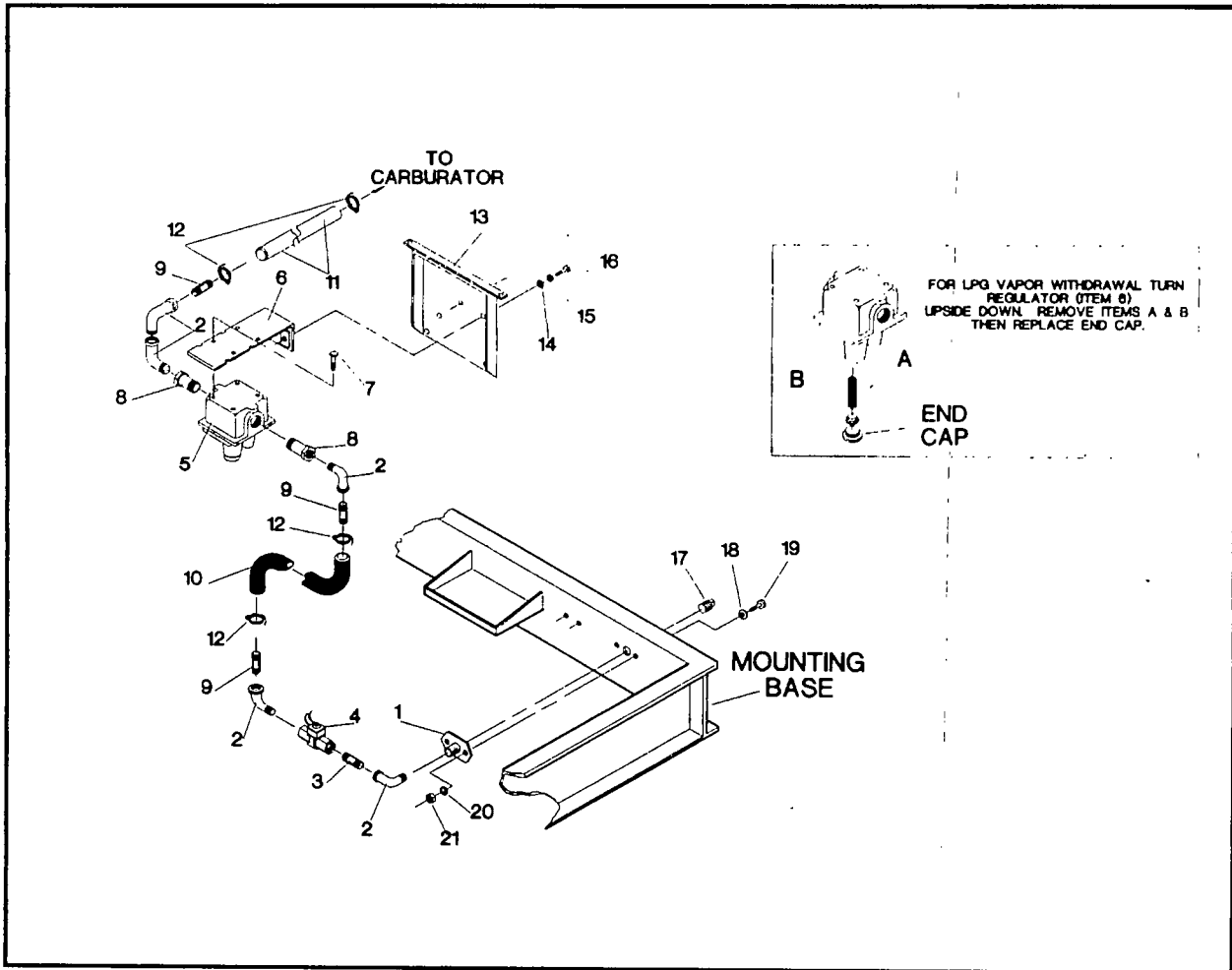
REF#	GENERAC#	DESCRIPTION	QTY
1	55504	REGULATOR, LP GAS	1
3	28652	NIPPLE, 1" NPT X 2-1/2" LONG (THREADED ON E END)	2
4	57434	HOSE, 1-1/4" I.D. X 5" LONG	1
5	57824	CLAMP, HOSE	2
6	34339	FITTING, BARBED 90 deg 3/8" X 5/8"	1
7	69598	FITTING, BULKHEAD 1/4" NPT	1
8	50967	HOSE, 5/8" I.D. X 36" LONG	1
9	49663	ELBOW, 90 deg 1/4" NPT	1
10	61903A	LINE, FUEL 30" LONG	1
11	50280	PLATE, DATA	1
12	61903B	LINE, FUEL 17" LONG	1
13	49198	SOLENOID, FUEL SHUTOFF	1
14	45757	CAPSCREW, HEX HEAD M6-1.00 X 25 mm	2
15	22473	WASHER, FLAT M6	2
16	22097	WASHER, LOCK M6	2
17	49813	NUT, HEX M6-1.00	2
18	51597	PLUG, CAP	1
19	64957	SUPPORT, REGULATOR	1
20	57823	CLAMP, HOSE	8
21	22537	CAPSCREW, HEX HEAD 1/4"-20 X 1-1/2"	2
23	52857	NUT, LOCK M6	2
24	30793	CAPSCREW, HEX HEAD 7/16"-14 X 3/4" LONG	3
25	22302	WASHER, LOCK 7/16"	3
26	22250	WASHER, FLAT 7/16"	6
27	53660	FITTING, BARBED STRAIGHT 1/4" X 5/8"	1
28	44118	FITTING, BARBED STRAIGHT 1/2" X 5/8"	1
29	44117	FITTING, BARBED STRAIGHT 3/8" X 5/8"	1
30	55472	CONNECTOR, MALE 1/4" X 1/4"	1
32	50967	HOSE, 5/8" I.D. X 13" LONG	1
33	63242	CONNECTOR, HOSE BARBED "Y"	1
34	50967	HOSE, 5/8" I.D. X 41" LONG	1
35	50967	HOSE, 5/8" I.D. X 4" LONG	1

## NATURAL GAS REGULATOR AND ACCESSORIES



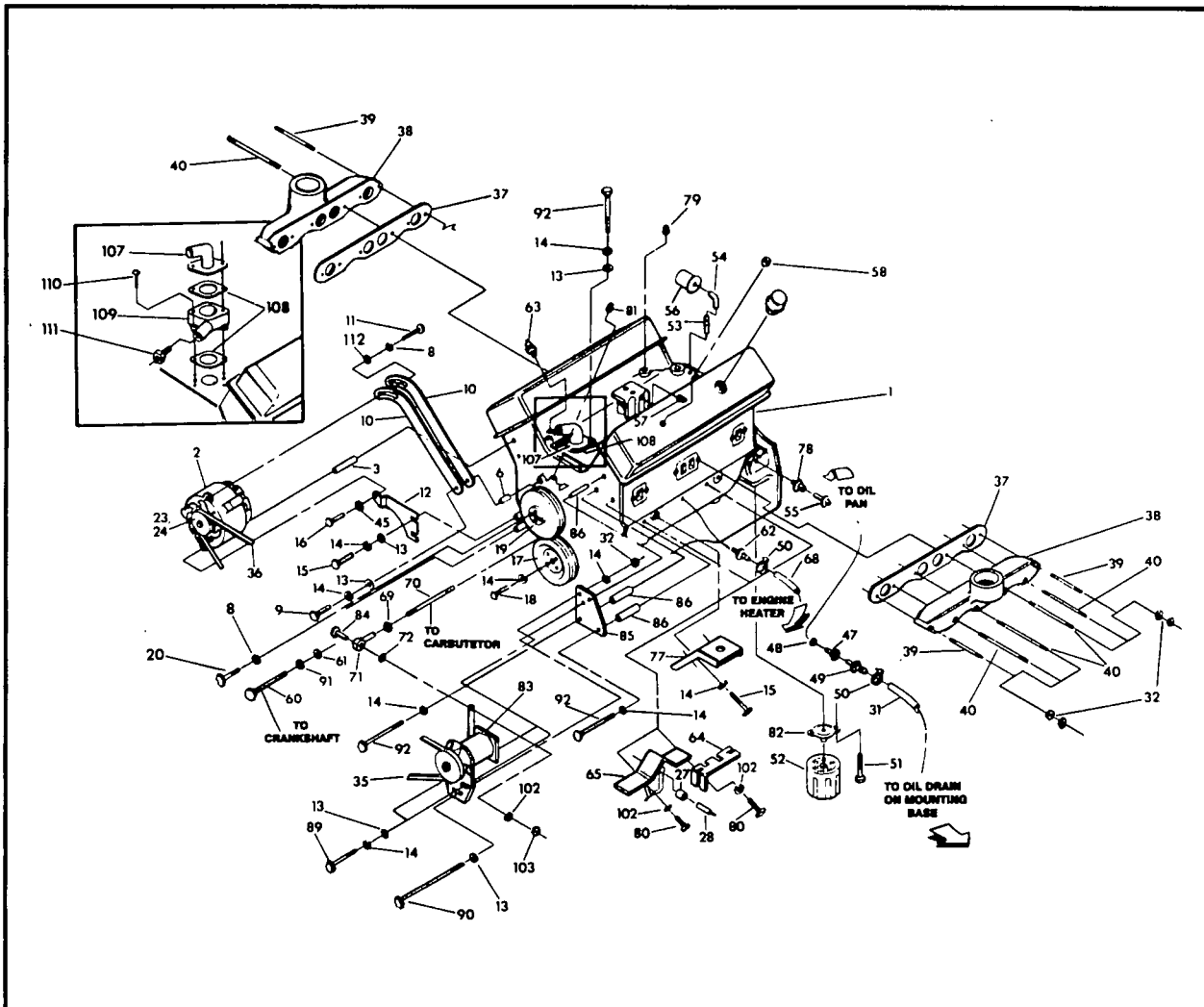
REF#	GENERAC#	DESCRIPTION	QTY
1	65907	SUPPORT, SOLENOID	1
2	26307	STREET ELBOW 3/4" NPT	2
3	26490	NIPPLE, 3/4" NPT X 2" LONG	2
4	43768A	SOLENOID	1
5	55944	REGULATOR	1
6	67018	SUPPORT, REGULATOR	1
7	61910	TAPTITE # 10-24 X 3/4" LONG	4
8	26577	REDUCER, 1" TO 3/4" NPT	2
9	28641	TOE NIPPLE, 3/4" NPT X 2" LONG	1
10	57422	HOSE, 1" I.D. X 44" LONG	1
11	57824	CLAMP, HOSE # 16	2
12	22145	FLAT WASHER 5/16"	2
13	22129	LOCK WASHER	2
14	22142	CAPSCREW, HEX HEAD 5/16"-18 X 3/4"	2
15	25655	PLUG, PIPE	1
16	22132	FLAT WASHER M4	2
17	51778	CAPSCREW, HEX HEAD M14-2.00 X 25	2
18	43123	LOCK WASHER M14	2
19	51779	NUT, HEX HEAD M14-2.00	2

## LPG VAPOR REGULATOR AND ACCESSORIES



REF#	GENERAC#	DESCRIPTION	QTY
1	65907	SUPPORT, SOLENOID	1
2	26307	STREET ELBOW, 3/4" NPT	5
3	26490	NIPPLE, 3/4" NPT X 2" LONG	1
4	43768A	SOLENOID	1
5	55944	REGULATOR	1
6	67018	SUPPORT, REGULATOR	1
7	61910	TAPTITE # 10-24 X 3/4" LONG	4
8	26577	REDUCER, 1" TO 3/4" NPT	2
9	28641	TOE NIPPLE, 3/4" NPT X 2" LONG	3
10	57422	HOSE, 1" I.D. X 28" LONG	1
11	57422	HOSE, 1" I.D. X 14-1/2" LONG	1
12	57824	CLMP, HOSE # 16	4
13	64957	SUPPORT, REGULATOR	1
14	22145	FLAT WASHER 5/16"	2
15	22129	LOCK WASHER 5/16"	2
16	22142	CAPSCREW, HEX HEAD 5/16"-18 X 3/4"	2
17	25655	PLUG, PIPE 3/4" NPT	1
18	22132	FLAT WASHER M14	2
19	51778	CAPSCREW, HEX HEAD M14-2.00 X 25	2
20	43123	LOCK WASHER M14	2
21	51779	NUT, HEX M14-2.00	2

## ENGINE FINISH PARTS (V FUELED ENGINES)

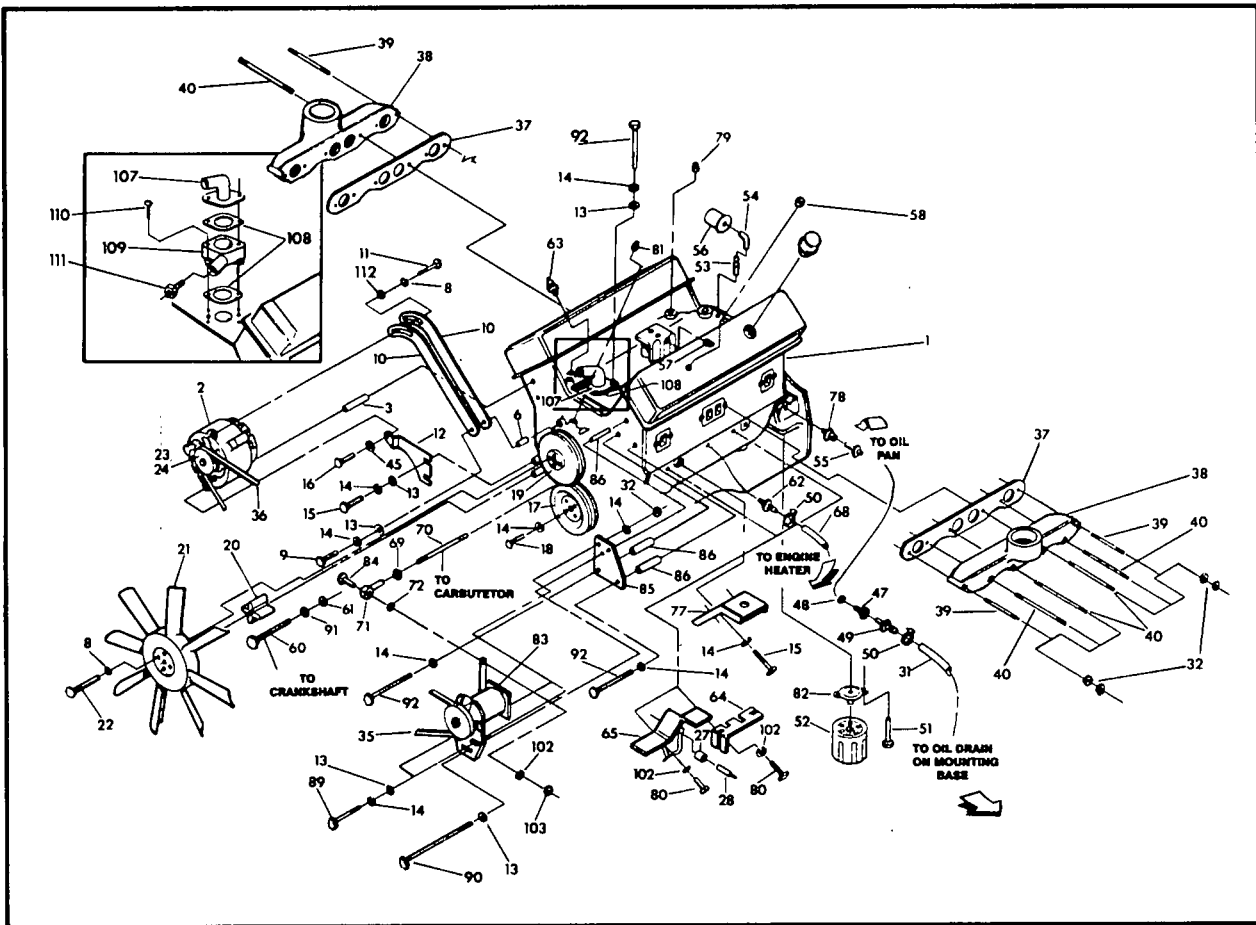


REF#	GENERAC#	DESCRIPTION	QTY
1	83034	ENGINE, 5.7 LITER	1
2	50618	ALTERNATOR, ENGINE, DC	1
3	87296	SPACER, 3.25" LONG	1
6	33437	SPACER, 1/2" LONG	1
7	22145	WASHER, FLAT 5/16"	1
8	22129	WASHER, LOCK 5/16"	1
9	31578	CAPSCREW, HEX HEAD 3/8"-16 X 1-1/2"	1
10	58002	BRACE, ENGINE DC ALTERNATOR	2
11	42909	CAPSCREW, M8-1.25 X 30	1
12	55586	BRACKET, DC ALTERNATOR SUPPORT	1
13	22131	WASHER, FLAT 3/8"	6
14	22237	WASHER, LOCK 3/8"	17
15	29745	CAPSCREW, HEX HEAD 3/8"-16 X 1"	5
16	75785	CAPSCREW, HEX HEAD 3/8"-16 X 6-1/4"	1
17	58003	PULLEY, ENGINE CRANKSHAFT	1
18	42633	CAPSCREW, 3/8"-24 X 1.00	3
19	58004	PULLEY, WATER PUMP	1
20	48614	CAPSCREW, HEX HEAD 5/16"-24" X 3/4"	4
23	59564	SPACER, ALTERNATOR PULLEY	1

## ENGINE FINISH PARTS (V FUELED ENGINES CONT.)

REF#	GENERAC#	DESCRIPTION	QTY
24	59737	PULLEY, ALTERNATOR 4.5" DIAMETER	1
27	65809	ADAPTOR, WATER TEMP	1
28	53667	SENDER, WATER TEMPERATURE	1
31	57448	HOSE 5/8" I.D. X 12-1/2" LONG	1
32	22241	NUT, HEX 3/8"-16	25
35	38788	V-BELT	1
36	59324	V-BELT	1
37	55489	GASKET, EXHAUST MANIFOLD	2
38	82433	MANIFOLD, EXHAUST	2
39	87099	STUD, 3/8"-16 X 4" S.S.	4
40	87099A	STUD, 3/8"-16 X 4-1/2" S.S.	8
45	46526	WASHER, LOCK M10	1
47	77456	ADAPTOR, OIL DRAIN	1
48	52677	WASHER, NYLON	1
49	34339	FITTING, BARBED ELBOW 90 deg.	1
50	57823	CLAMP, HOSE # 10	2
51	58007	BOLT, OIL FILTER	2
52	55505	FILTER, OIL	1
53	39558	NIPPLE, 1/8" NPT X 1-3/4" LONG	1
54	28405	ELBOW, 1/8" NPT	1
55	60108	SWITCH, OIL PRESSURE	1
56	53666	SENDER, OIL PRESSURE	1
57	26073A	PLUG, PIPE 1/4" NPT	1
58	60474	GROMMET	1
60	37065	CAPSCREW, HEX HEAD 7/16"-14 X 2-1/4"	1
61	52644	SPACER, 1/2" X 1-1/2" X 1/4" THICK	1
62	53660	FITTING, BARBED 1/4" NPT X 5/8"	2
63	35606	HIGH COOLANT TEMPERATURE SWITCH	1
64	57781	SHIELD, SPARK PLUG	1
65	57782	SHIELD, SPARK PLUG	1
68	50967	HOSE, 5/8" I.D. X 12-1/2" LONG	1
69	36409	NUT, HEX 1/4"-28	2
70	55461	ROD, GOVERNOR ADJUSTING	1
71	51145	END, ROD	2
72	22473	WASHER, FLAT 1/4"	2
77	82744	ENGINE SUPPORT	2
78	35579	BUSHING, REDUCER, 1/4" TO 1/8" NPT	1
79	31919	PLUG, PIPE 1/2" NPT	1
80	22507	CAPSCREW, HEX HEAD 1/4"-20 X 1/2"	2
81	24310	PLUG, PIPE 1/2" NPT	1
82	58008	ADAPTOR, OIL FILTER	1
83	65933	GOVERNOR	1
84	48107	CAPSCREW, HEX HEAD 1/4"-20 X 1"	2
85	55543	SUPPORT, GOVERNOR	1
86	56472	SPACER 2-5/8" LONG	3
89	31578	CAPSCREW, HEX 3/8"-16 X 1-1/2"	2
90	57757	BOLT 3/8"-16 X 4-1/4"	1
92	32303	BOLT 3/8"-16 X 3-1/2"	4
102	22097	WASHER, LOCK 1/4"	2
103	22127	NUT, HEX 1/4"-20	2
107	69939	HOUSING, THERMOSTAT	1
108	48665	GASKET, THERMOSTAT HOUSING	2
109	76977	SPACER	1
110	64526	BOLT, # 6-32 X 3/8"	1
111	25655	PIPE PLUG 3/4" NPT	1
112	50190	FLAT WASHER, 10 GA. X .34 X 1.0	1

## ENGINE FINISH PARTS (N, G, AND L FUELED ENGINES)

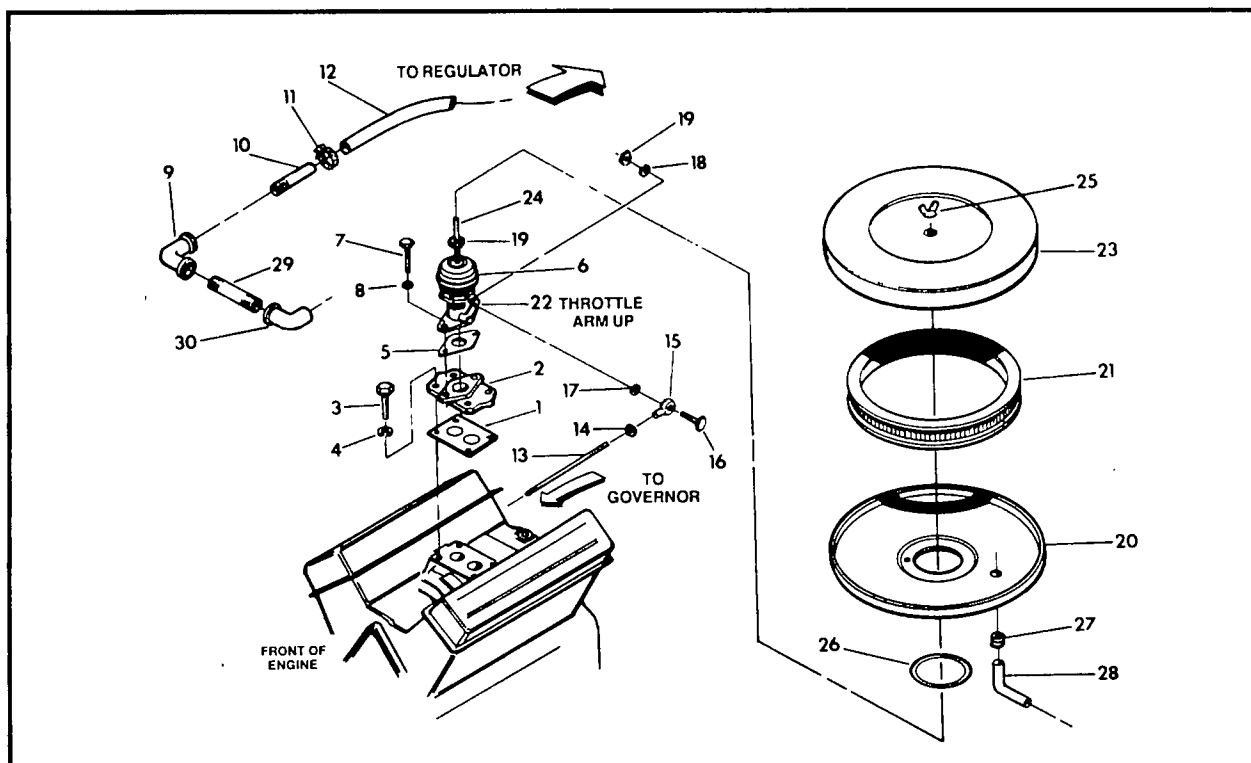


REF#	GENERAC#	DESCRIPTION	QTY
1	83034	ENGINE, 5.7 LITER V-8	1
2	50618	ALTERNATOR, ENGINE, DC	1
3	87296	SPACER, 3.25" LONG	1
6	33437	SPACER, 9/16" LONG	1
7	22145	FLAT WASHER, 5/16"	4
8	22129	LOCK WASHER, 5/16"	9
9	31578	CAPSCREW, HEX HEAD M8-1.25	2
10	58002	BRACE, ENGINE, DC ALT	2
11	42909	CAPSCREW, HEX HEAD M8-1.25 X 30mm	1
12	55586	BRACKET, DC ALTERNATOR SUPPORT	1
13	22131	FLAT WASHER, 3/8"	6
14	22237	LOCK WASHER, 3/8"	21
15	29745	CAPSCREW, HEX HEAD 3/8"-16 X 1"	6
16	75875	CAPSCREW, HEX HEAD 3/8"-15 X 6-1/4"	1
17	58003	PULLEY, ENGINE CRANKSHAFT	1
18	42633	CAPSCREW, HEX HEAD 3/8"-24 X 1"	3
19	58004	PULLEY, WATER PUMP	1
20	55399B	SPACER, FAN 3-1/4" LONG	1
21	55454	FAN	1
22	36287	CAPSCREW, HEX HEAD 5/16"-24 X 4"	4
23	59564	SPACER, ALTERNATOR PULLEY	1
24	59737	PULLEY, ALTERNATOR 4.5" DIAMETER	1
27	65809	BUSHING, REDUCER	1
28	53667	WATER TEMPERATURE SENDER	1

**ENGINE FINISH PARTS (N, G, AND L FUELED ENGINES CONT.)**

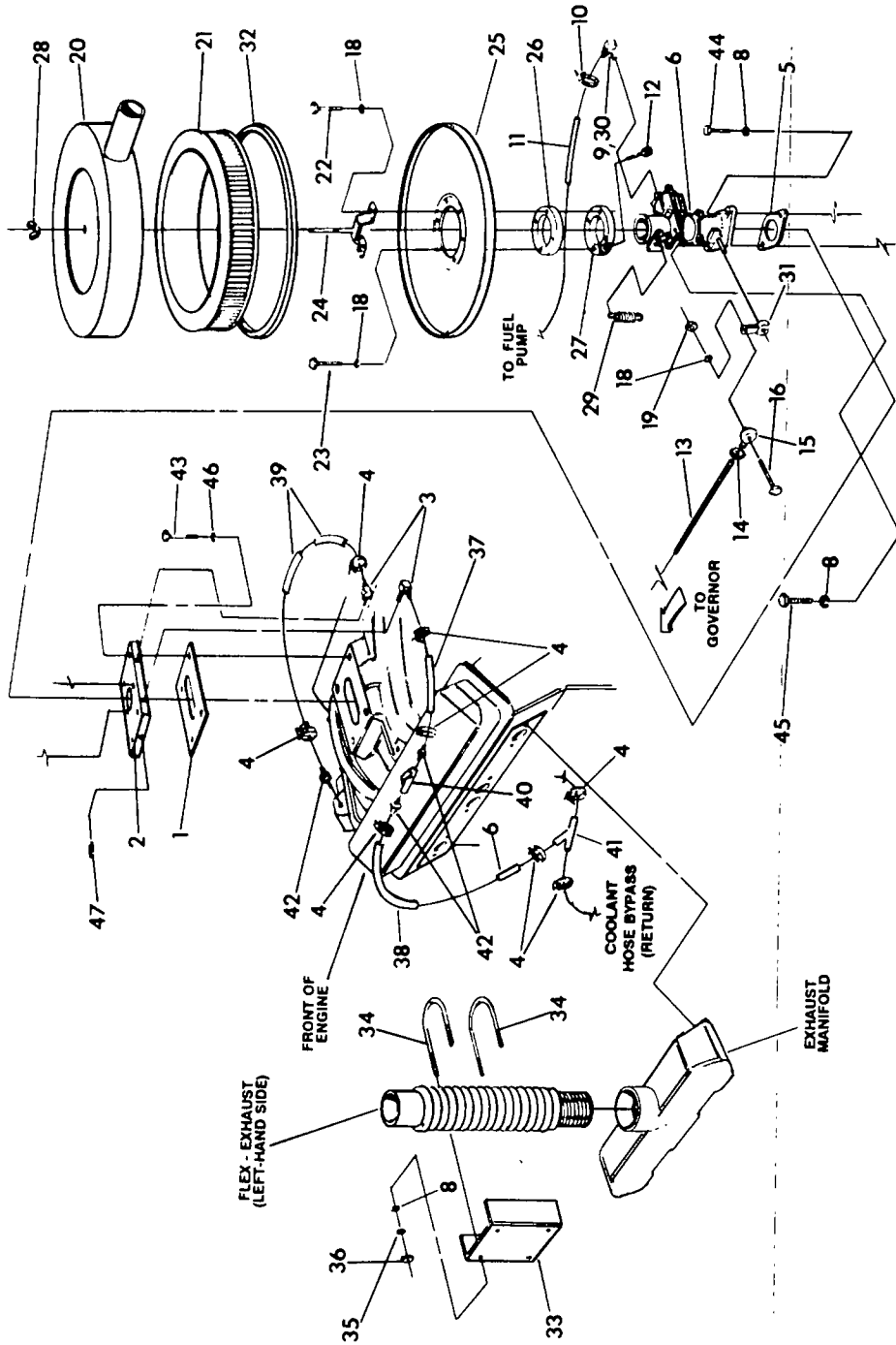
REF#	GENERAC#	DESCRIPTION	QTY
31	57448	HOSE, 5/8" I.D. X 12.5" LONG	1
32	22241	NUT, HEX 3/8"-16	26
34	53621	GROUND WIRE 7" LONG	1
35	66005	V-BELT (FOR NATURAL & LP GAS)	1
35	35736	V-BELT (FOR GASOLINE ENGINE)	1
36	59324	V-BELT	1
37	55489	GASKET, EXHAUST MANIFOLD	2
38	82433	MANIFOLD, EXHAUST	2
39	87099	STUD, 3/8"-16 X 4 STAINLESS STEEL	4
40	87099A	STUD, 3/8"-16 X 4-1/2" STAINLESS STEEL	8
45	46526	LOCK WASHER, M10	1
47	77456	ADAPTOR, OIL DRAIN	1
48	52677	WASHERM, NYLON	1
49	44118	FITTING, BARBED STRAIGHT 1/2" X 5/8"	1
50	57823	CLAMP, HOSE	2
51	58007	BOLT, OIL FILTER	2
52	55505	FILTER, OIL	1
53	39558	NIPPLE, 1/8" NPT X 1-3/4" LONG	1
54	28405	ELBOW, 1/8" NPT	1
55	60108	SWITCH, OIL PRESSURE	1
56	53666	SENDER, OIL PRESSURE	1
57	26073A	PLUG, PIPE 1/4" NPT	1
58	60474	GROMMET	1
60	37065	CAPSCREW, HEX HEAD, 7/16"-200X 2-1/4"	1
61	52644	SPACER, 1/2" X 1-1/2" X 1/4" THICK	1
62	53660	FITTING, BARBED 1/4" NPT X 5/8"	1
63	35606	SWITCH, HIGH COOLANT TEMPERATURE	1
64	57781	SHIELD, SPARK PLUG	1
65	57782	SHIELD, SPARK PLUG	1
68	50967	HOSE, 5/8" I.D. X 5" LONG	1
69	36409	NUT, HEX 1/4"-28	2
70	55461	ROD, GOVERNOR ADJUSTING 9-1/4"	1
70	55485	ROD, GOVERNOR ADJUSTING 8-1/4" LONG	1
71	51145	ROD, END	2
72	22473	FLAT WASHER, 1/4"	2
77	82744	ENGINE, MOUNTING BRACKET	1
78	35579	BUSHING, REDUCER 1/4" TO 1/8" NPT	1
79	31919	PLUG, PIPE 3/8" NPT	1
80	22507	CAPSCREW, HEX HED 1/4"-20 X 1/2"	2
81	24310	PLUG, PIPE 1/2" NPT	1
82	58008	ADAPTOR, OIL FILTER	1
83	55506	GOVERNOR, (FOR GASOLINE ENGINE)	.
83	65934	GOVERNOR, (NATURAL AND LP ENGINES)	1
84	22413	CAPSCREW, HEX HEAD 1/4"-20 X 1"	1
85	55543	SUPPORT, GOVERNOR	1
86	56472	SPACER, 2-5/8" LONG	3
89	31578	CAPSCREW, HEX HEAD 3/8"-16 X 1-1/2"	2
90	57757	CAPSCREW, HEX HEAD 3/8"-16 X 4-1/4"	1
91	22302	LOCK WASHER 7/16"	3
92	32303	CAPSCREW, HEX HEAD 3/8"-16 X 3-1/2"	4
102	22097	LOCKWASHER 1/4"	4
103	22127	NUT, HEX 1/4"-20	2
107	69939	HOUSING, THERMOSTAT	1
108	48665	GASKET, THERMOSTAT HOUSING	2
109	76977	SPACER	1
110	64526	BOLT, # 6-32 X 3/8"	1
111	25655	PIPE PLUG 3/4" NPT	1
112	50190	FLAT WASHERR, 10 GA. X .34 X1.0	1

## LP CARBURETOR AND ACCESSORIES



REF#	GENERAC#	DESCRIPTION	QTY
1	64945	GASKET, INTAKE MANIFOLD TO SPACER	1
2	76688	ADAPTOR, CARBURETOR	1
3	33212	CAPSCREW, HEX HEAD 5/16"-18 X 1-1/4" LONG	4
4	22129	WASHER, LOCK 5/16"	4
5	76687	GASKET, CARBURETOR TO SPACER	1
6	76685	CARBURETOR	1
7	29745	CAPSCREW, HEX HEAD 3/8-16 X 1" LONG	2
8	22237	WASHER, LOCK 3/8"	2
9	26489	ELBOW, REDUCING 1" TO 3/4" NPT	1
10	28652	NIPPLE, PIPE 1" NPT X 2-1/2" LONG (THREADED ONE END)	1
11	35586	CLAMP, HOSE # 20	1
12	57434	HOSE, 1-1/4" I.D. X 8" LONG	1
13	55461	ROD, GOVERNOR ADJUSTING 9-1/4" LONG	1
14	36409	NUT, HEX 1/4"-28	1
15	51145	END, ROD	1
16	22413	CAPSCREW, HEX HEAD 1/4"-20 X 1"	1
17	22473	WASHER, FLAT 1/4"	1
18	22097	WASHER, LOCK 1/4"	1
19	22127	NUT, HEX 1/4"-20	2
20	60808A	AIR CLEANER BOTTOM (BASE)	1
21	60834	AIR CLEANER ELEMENT	1
22	57309	ARM, THROTTLE	1
23	59427	COVER, AIR CLEANER	1
24	62522	STUD, 1/4"-20 X 3" LONG	1
25	37561	NUT, WING 1/4"-20	1
26	76686	GASKET, AIR CLEANER BASE TO CARBURETOR	1
27	57796	GROMMET	1
28	57795	CONNECTOR	1
29	76691	NIPPLE, PIPE 3/4" NPT X 4-1/2" LONG	1
30	26739	ELBOW, STREET REDUCING 3/4" TO 1/2" NPT	1

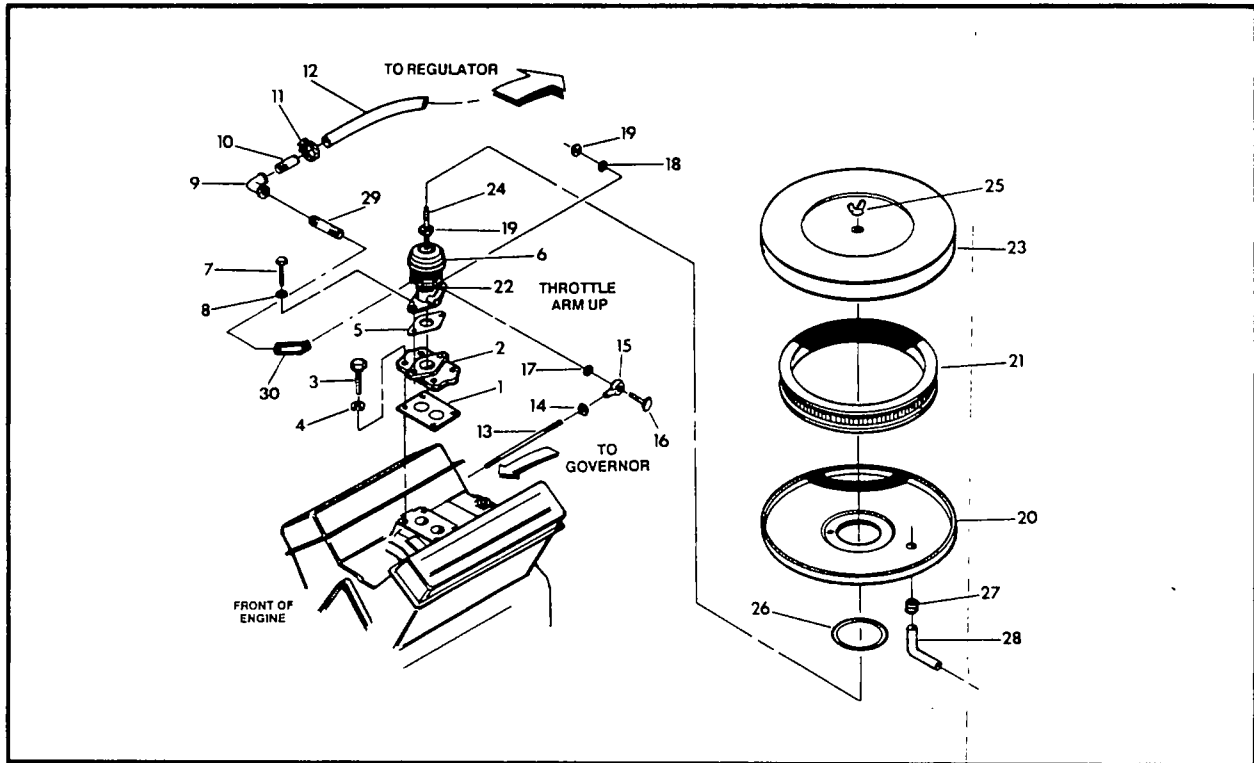
# GASOLINE CARBURETOR AND ACCESSORIES



## GASOLINE CARBURETOR AND ACCESSORIES

REF#	GENERAC#	DESCRIPTION	QTY
1	64945	GASKET, INTAKE MANIFOLD TO SPACER	1
2	87870	ADAPTOR, CARBURETOR TO MANIFOLD	1
3	34339	BARBED 90 deg. ELBOW 5/8" I.D.	2
4	57823	CLAMP, HOSE # 10	8
5	87960	GASKET, CARBURETOR TO SPACER	1
6	77504	CARBURETOR, GASOLINE	1
7	29745	CAPSCREW, HEX HEAD 3/8"-16 X 1"	2
8	22237	WASHER, LOCK 3/8"	8
9	44074	FITTING, BARBED STRAIGHT 1/8" NPT X 3/8" BARBED	1
10	40173	CLAMP, HOSE 5.5	2
11	47290	HOSE, 3/8" I.D. X 27" LONG	1
12	23987	CAPSCREW, SOCKET HEAD 1/4"-20 X 1-1/4"	1
13	55461	ROD, GOVERNOR ADJUSTING	1
14	36409	NUT, HEX 1/4"-20	2
15	51145	ROD, END	2
16	38750	CAPSCREW, HEX HEAD M6-1.0 X 30	1
17	22473	WASHER, FLAT 1/4"	1
18	22097	WASHER, LOCK 1/4"	1
19	49813	NUT, HEX M6-1.0	1
20	87365	TOP, AIR CLEANER (LID)	1
21	60834	ELEMENT, AIR CLEANER	1
22	22287	CAPSCREW, HEX HEAD 1/4"-20 X 3/4"	2
23	22507	CAPSCREW, HEX HEAD 1/4"-20 X 1/2"	2
24	60833	AIR CLEANER STUD ASSEMBLY	1
25	79534	BOTTOM, AIR CLEANER (BASE)	1
26	60831	GASKET, AIR CLEANER BASE TO CARBURETOR	1
27	60830	ADAPTOR, AIR CLEANER	1
28	37561	WING NUT	1
29	60732	CABLE, CHOKE (NOT SHOWN)	1
30	36277	ELBOW, STREET 1/8" NPT	1
31	57308	ARM, THROTTLE	1
32	79538	AIR CLEANER GASKET	1
33	87318	MANIFOLD HEAT SHIELD	1
34	55978	U-BOLT 3/8"-16	2
35	22131	FLAT WASHER 3/8"	4
36	22241	NUT, HEX 3/8"-16	4
37	50967	HOSE, HEATER 5/8" I.D.	3.5"
38	50967	HOSE, HEATER 5/8" I.D.	40"
39	50967	HOSE, HEATER 5/8" I.D.	23"
40	78944	VALVE, BALL 1/2" NPT	1
41	63242	CONNECTOR, "Y" HOSE	1
42	44118	BARBED STRAIGHT 5/8" I.D. X 1/2" NPT	3
43	22531	CAPSCREW, HEX HEAD 5/16"-18 X 1-3/4" LONG	4
44	22511	CAPSCREW, HEX HEAD 3/8"-16 X 1-1/4" LONG	1
45	23152	CAPSCREW, HEX HEAD 3/8"-16 X 3/4" LONG	1
46	22129	WASHER, LOCK 5/16"	4
47	26925	PLUG, PIPE 3/8" NPT	1

## NATURAL AND VAPOR GAS CARBURETOR AND ACCESSORIES



REF#	GENERAC#	DESCRIPTION	QTY
1	64945	GASKET, INTAKE MANIFOLD TO SPACER	1
2	76688	ADAPTOR, 30 KW AND 35 KW	1
3	33212	CAPSCREW, HEX HEAD 5/16"-18 X 1-1/4" LONG	4
4	22129	WASHER, LOCK 5/16"	4
5	76687	GASKET, CARBURETOR TO SPACER	1
6	76685	CARBURETOR	1
7	29745	CAPSCREW, HEX HEAD 3/8"-16 X 1" LONG	2
8	22237	WASHER, LOCK 3/8"	2
9	26872	ELBOW, 3/4" NPT	1
10	28641	NIPPLE, PIPE 3/4" X 2" LONG (THREADED ONE END)	1
11	57824	CLAMP, HOSE # 20	1
12	57422	HOSE 1" I.D. X 48" LONG	1
13	55461	ROD, GOVERNOR ADJUSTING 9-1/4" LONG	1
14	36409	NUT, HEX 1/4"-28	1
15	51145	END, ROD	1
16	22413	CAPSCREW, HEX HEAD 1/4"-20 X 1"	1
17	22473	WASHER, FLAT 1/4"	1
18	22097	WASHER, LOCK 1/4"	1
19	22127	NUT, HEX 1/4"-20	2
20	60808A	BOTTOM, AIR CLEANER (BASE)	1
21	60834	ELEMENT, AIR CLEANER	1
22	57309	ARM, THROTTLE	1
23	59427	COVER, AIR CLEANER (LID)	1
24	62522	STUD, 1/4"-20 X 3" LONG	1
25	37561	NUT, WING 14"-20	1
26	76686	GASKET, AIR CLEANER BASE	1
27	57796	GROMMET	1
28	57795	CONNECTOR	1
29	35589	NIPPLE, PIPE 3/4" NPT X 3-1/2" LONG	1
30	26739	ELBOW, STREET REDUCING, 3/4" TO 1/2"	1

