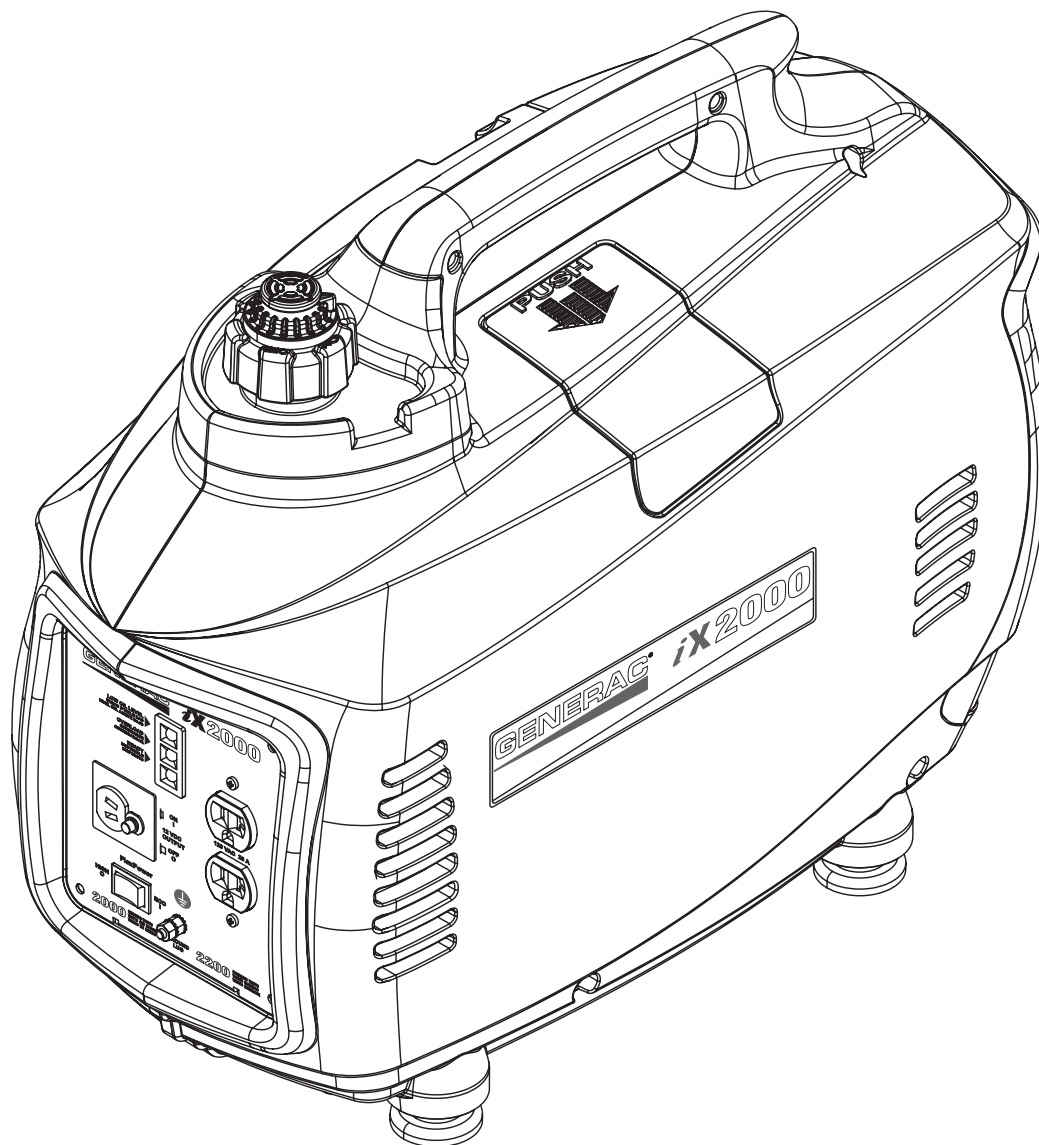


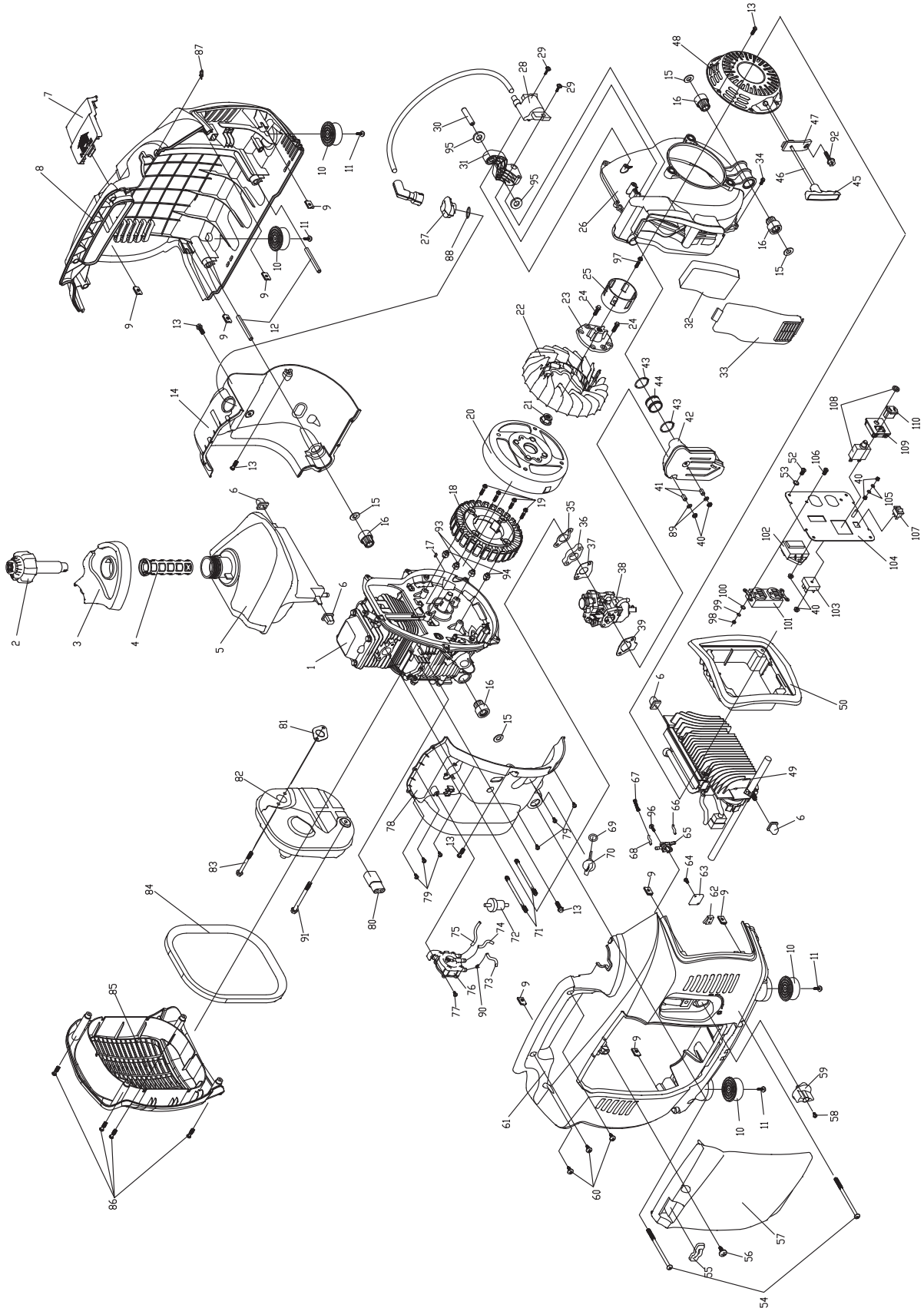
# iX 2000

## Digital Inverter Generator Parts Manual

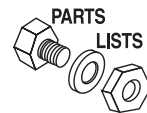
MODEL: 005793-0



**GENERAC**<sup>®</sup>

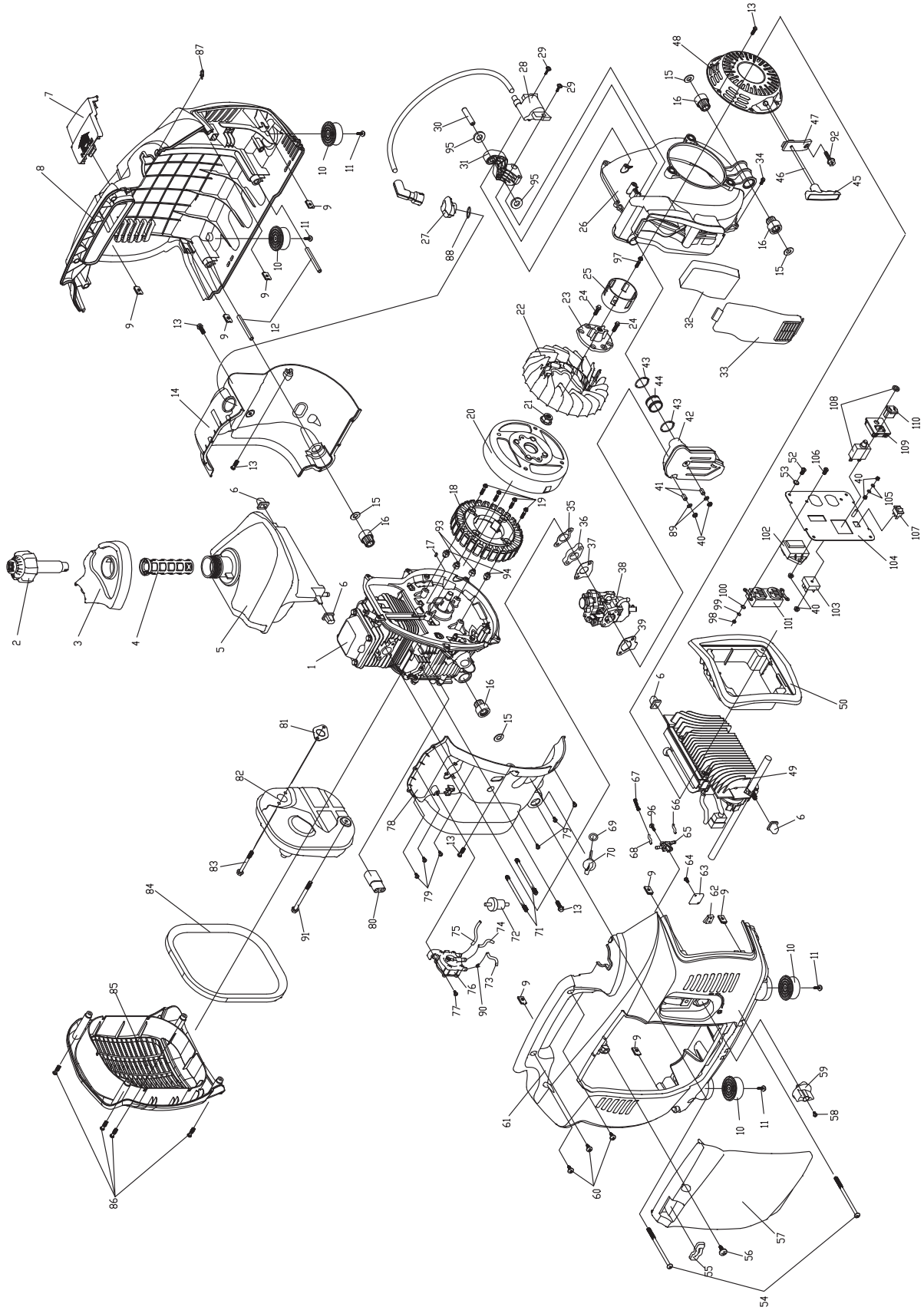


# iX2000 Model 005793-0

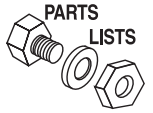


ITEM	PART NO.	DESCRIPTION	QTY.
1	0H4347	ENGINE ASSEMBLY	1
2	0H43470110	CAP, FUEL FILLER	1
3	0H43470111	COVER, FUEL FILLER PORT	1
4	0H43470112	CUP, FUEL FILTER	1
5	0H43470113	TANK, FUEL	1
6	0H43470114	BLOCK, SHOCK ABSORBER	4
7	0H43470115	COVER, UPPER SHELL	1
8	0H43470116	SHELL, UPPER	1
9	0H43470117	CLIP, SCREW	8
10	0H43470118	SHOCK ABSORBER, FOOT OF CHASSIS	4
11	0H43470119	SCREW, PHILIPS, ST6, 3X19	5
12	0H43470120	MOUNTING PIN, BOTTOM	2
13	0H43470121	BOLT, HEX HEAD W/FLANGE M6X12	5
14	0H43470122	WRAPPER, SIDE	1
15	0H43470123	GASKET	4
16	0H43470124	REDUCER RING, VIBRATION	4
17	0H43470125	KEY, WOODRUFF, 3X5X13	1
18	0H43470126	STATOR ASSY.	1
19	0H43470127	BOLT, HEX HEAD W/FLANGE M5X30	4
20	0H43470128	FLYWHEEL ROTOR ASSY	1
21	0H43470129	NUT, HEXAGON SCREW, W/ FLANGE	1
22	0H43470130	FAN BLADES	1
23	0H43470131	SEAT, STARTING JAW	1
24	0H43470132	BOLT, HEX HEAD W/FLANGE M6X16	3
25	0H43470133	JAW, STARTER	1
26	0H43470134	COVER	1
27	0H43470135	RUBBER SET, HIGH PRESSURE	1
28	0H43470136	IGNITION COIL	1
29	0H43470137	SCREW, PHILIPS, ST4. 8X22	2
30	0H43470138	MOUNTING PIN, TOP	1
31	0H43470139	HOOK	1
32	0H43470140	AIR CLEANER	1
33	0H43470141	COVER, AIR FILTER	1
34	0H43470142	BOLT, HEX HEAD W/FLANGE, M5X16	6

ITEM	PART NO.	DESCRIPTION	QTY.
35	0H43470143	GASKET, CARBURETOR, (OUT B)	1
36	0H43470144	SPACER	1
37	0H43470145	GASKET, CARBURETOR, (OUT A)	1
38	0H43470146	CARBURETOR ASSY.	1
39	0H43470147	GASKET, CARBURATOR (IN)	1
40	0H43470148	NUT, HEX. WITH FLANGE, M6	6
41	0H43470149	SPACER, OIL SPLASH COVER	2
42	0H43470150	OIL SPLASH SUB-ASSY.	1
43	0H43470151	CLIP, SPRING	2
44	0H43470152	AIR TUBE	1
45	0H43470153	HANDLE , RECOIL ASSY.	1
46	0H43470154	CORD, RECOIL ASSY.	1
47	0H43470155	STOP, HANDLE	1
48	0H43470156	RECOIL ASSY.	1
49	0H43470157	INVERTER SUB ASSY	1
50	0H43470158	BRACE, CONTROL PANEL	1
51	0H43470159	CONTROL PANEL W/ DECAL	1
52	0H43470160	SCREW, CROSSED PAN HEAD, M5X25	4
53	0H43470161	WASHER	4
54	0H43470162	SCREW, CROSSED PAN HEAD, M6X130	2
55	0H43470163	SEAL, COVER	1
56	0H43470164	SCREW, M6X14	1
57	0H43470165	COVER, UPPER SHELL	1
58	0H43470166	SCREW, CROSS PAN HEAD, M4X12	1
59	0H43470167	SWITCH, FUEL ON/OFF	1
60	0H43470168	SCREW, CROSS PAN HEAD, M6X14	3
61	0H43470169	SHELL, UPPER	1
62	0H43470170	SWITCH, IGNITION, ON/OFF	1
63	0H43470171	COVER, SWITCH	1
64	0H43470172	SCREW, PHILIPS, ST4,2X9.5	2
65	0H43470173	VALVE, FUEL	1
66	0H43470174	HOSE, OIL DISCHARGE	1
67	0H43470175	CLAMP, HOSE	2
68	0H43470176	HOSE, FUEL PUMP OIL INJECTION A	1

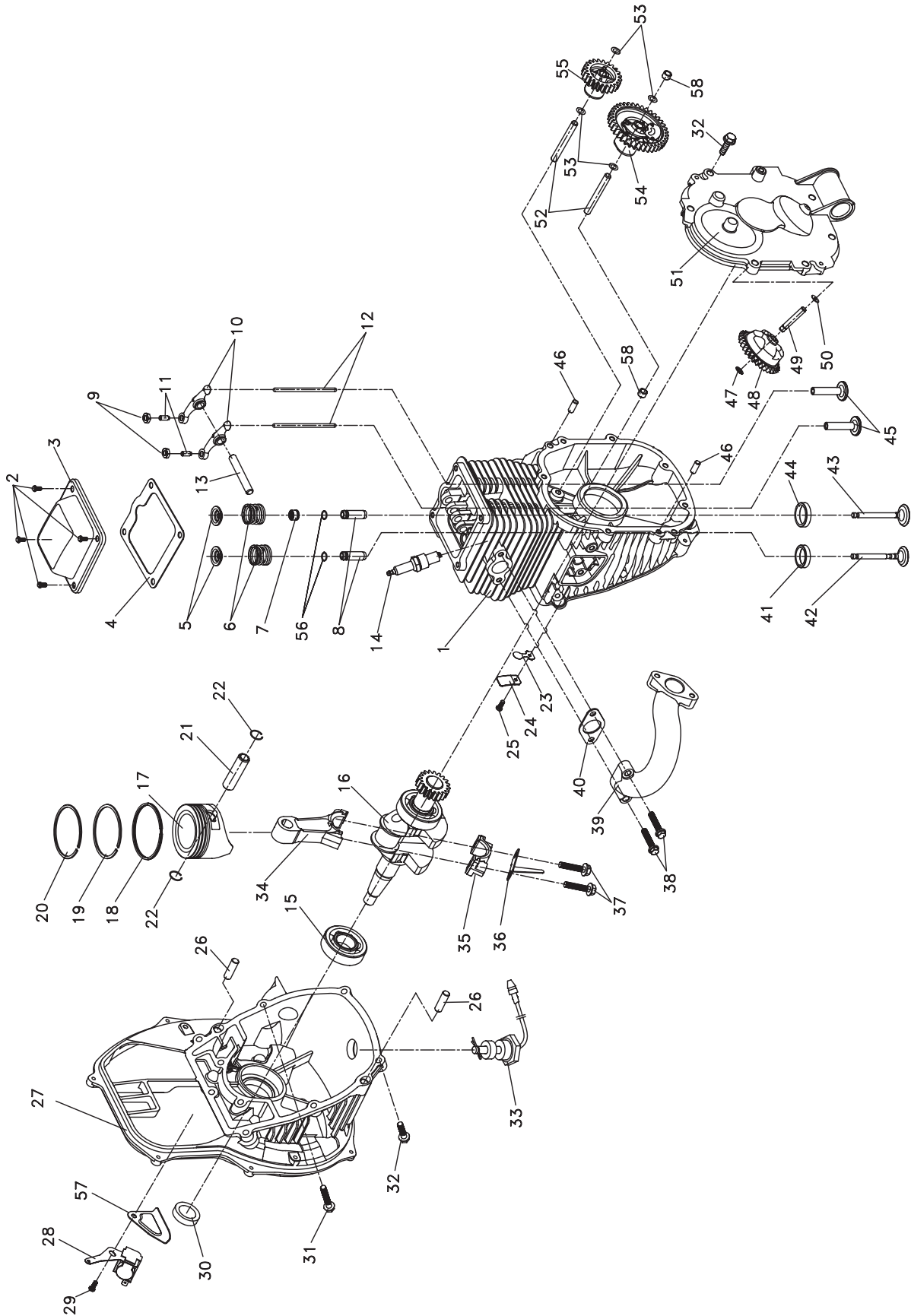


# iX2000 Model 005793-0



ITEM	PART NO.	DESCRIPTION	QTY.
69	0H43470177	O-RING	1
70	0H43470178	DIPSTICK	1
71	0H43470179	STUDS	2
72	0H43470180	FILTER, GAS	1
73	0H43470181	HOSE, FUEL PUMP	1
74	0H43470182	HOSE, FUEL PUMP AIR	1
75	0H43470183	HOSE, FUEL PUMP OIL INJECTION B	1
76	0H43470184	FUEL PUMP ASSY.	1
77	0H43470185	SCREW, PHILIPS, ST4.8X19	1
78	0H43470186	WRAPPER, ENGINE, UPPER	1
79	0H43470187	SCREW, PHILIPS, ST4.2X13	6
80	0H43470188	REDUCER	1
81	0H43470189	GASKET, MUFFLER	1
82	0H43470190	MUFFLER ASSY.	1
83	0H43470191	BOLT, HEX HEAD W/FLANGE, M6X60	2
84	0H43470192	SEAL, EXHAUST COVER	1
85	0H43470193	COVER, EXHAUST	1
86	0H43470194	SCREW, CROSS PAN HEAD, M5X20	4
87	0H43470195	CLIP, RETAINING, CHASSIS	1
88	0H43470196	O-RING, RUBBER	1
89	0H43470197	WASHER	2

ITEM	PART NO.	DESCRIPTION	QTY.
90	0H43470198	CLIP, HOSE, FUEL	10
91	0H43470199	BOLT, HEX HEAD W/FLANGE, M6X80	1
92	0H43470200	SCREW, PHILIPS W/WASHER, M5X12	1
93	0H43470201	PIN, GUIDE, A	2
94	0H43470202	PIN, GUIDE, B	2
95	0H43470203	WASHER/ GASKET, HOOK	2
96	0H43470204	SCREW, PHILIPS	1
97	0H43470205	BOLT, HEX WITH FLANGE	1
98	0H43470206	NUT, M4	2
99	0H43470207	WASHER, LOCK, M4	8
100	0H43470208	WASHER, FLAT, M4	8
101	0H43470209	OUTLET, 120 VAC 20 AMP	1
102	0H43470210	DISPLAY, LED	1
103	0H43470211	DIODE, RECTIFIER	1
104	0H43470212	PANEL, FRONT	1
105	0H43470213	WASHER, STAR LOCK M6	2
106	0H43470214	SCREW M4X12	2
107	0H43470215	SWITCH, FLEXPPOWER	1
108	0H43470216	BREAKER, DC CIRCUIT	1
109	0H43470217	HOLDER, DC COMPONENTS	1
110	0H43470218	RECEPTACLE, 12 VDC	1

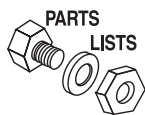


# iX2000 Model 005793-0



ITEM	PART NO.	DESCRIPTION	QTY.
ASSY	0H43470286	BODY ASSY, ENGINE (includes #'s, 5, 6, 7, 56, 8, 1, 25, 24, 23, 46, 58, 46, 41, 42, 43, and 44)	1
ASSY	0H43470287	COVER, VALVE ASSY(includes #'s 2 & 3).	1
4	0H43470288	GASKET, VALVE COVER	1
ASSY	0H43470289	ROCKER ARM ASSY, VALVE( includes #'s 9, 10,11, and 13)	2
12	0H43470290	PUSH-ROD, VALVE	2
14	0H8096	SPARK PLUG	1
ASSY	0H43470292	COVER ASSY, GEAR( includes #'s 32, 47, 48, 49, 50, and 51)	1
16	0H43470293	CRANKSHAFT	1
ASSY	0H43470294	ROD ASSY., CONNECTING(includes #'s 34, 35,36, and 37.)	1
17	0H43470295	PISTON	1
21	0H43470296	PIN, PISTON	1
22	0H43470297	CIRCLIP, PISTON PIN	2
ASSY	0H43470298	RING SET, PISTON( includes #'s 18, 19, and 20.)	1
15	0H43470299	BEARING, BALL	2
26	0H43470300	GUIDE PIN, CASE BODY, 8X26	2

ITEM	PART NO.	DESCRIPTION	QTY.
27	0H43470301	COVER, CRANKSHAFT TANK	1
28	0H43470285	TRIGGER ASSY.	1
29	0H43470302	SCREW, PHILLIPS W/WASHER, M5X12	1
30	0H43470303	OIL SEAL, CRANKSHAFT	1
31	0H43470304	BOLT, HEX, FLANGE, M6X45	1
32	0H43470305	BOLT, HEX, FLANGE, M6X25	8
33	0H43470306	SENSOR ASSY., OIL	1
38	0H43470307	BOLT, HEX. FLANGE, M6X30	2
39	0H43470308	PIPE, EXHAUST	1
40	0H43470309	GASKET, EXHAUST PIPE	1
45	0H43470310	TAPPET, VALVE	2
52	0H43470311	PIN, CAMSHAFT	2
53	0H43470312	GASKET, CAMSHAFT	4
54	0H43470313	GEAR ASSY, EXH. VALVE CAMSHAFT	1
55	0H43470314	GEAR ASSY, INLET VALVE CAMSHAFT	1
57	0H43470315	PLATE, PRESSURE	1
58	0H43470316	BEARING, OIL RETAINER	2



# iX2000 Model 005793-0